



US00D620731S

(12) **United States Design Patent**
Ogawa

(10) **Patent No.:** **US D620,731 S**

(45) **Date of Patent:** **** Aug. 3, 2010**

(54) **PORTION OF A KITCHEN COUNTER**

D610,380 S * 2/2010 Momeny D6/511

(75) Inventor: **Hirohisa Ogawa**, Zushi (JP)

* cited by examiner

(73) Assignee: **Goshigaisha Ogawa Kokusan Shoten**,
Kanagawa-Ken (JP)

Primary Examiner—Susan Moon Lee
Assistant Examiner—Sydney R Buffalow

(74) *Attorney, Agent, or Firm*—Fitch, Even, Tabin &
Flannery

(**) Term: **14 Years**

(21) Appl. No.: **29/335,409**

(57) **CLAIM**

(22) Filed: **Apr. 15, 2009**

I claim the ornamental design for a portion of a kitchen counter, as shown and described.

(30) **Foreign Application Priority Data**

DESCRIPTION

Oct. 16, 2008 (JP) 2008-026584
Oct. 16, 2008 (JP) 2008-026585

(51) **LOC (9) Cl.** **06-06**

(52) **U.S. Cl.** **D6/511**

(58) **Field of Classification Search** D6/511,
D6/495, 492, 429-431, 406.3, 480-489;
108/150, 152, 153.1, 157.1, 161, 43; D7/698;
D21/397, 484; 248/188, 188.1, 188.8
See application file for complete search history.

FIG. 1 is a perspective view of a portion of a kitchen counter according to my new design;

FIG. 2 is a front elevational view thereof;

FIG. 3 is a rear elevational view thereof;

FIG. 4 is a top plan view thereof;

FIG. 5 is a bottom plan view thereof;

FIG. 6 is a right side elevational view thereof;

FIG. 7 is a left side elevational view thereof;

FIG. 8 is a front elevational view thereof with the storage door in an opened state;

FIG. 9 is a top plan view thereof with the storage door in an opened state; and,

FIG. 10 is a bottom plan view thereof with the storage door in an opened state.

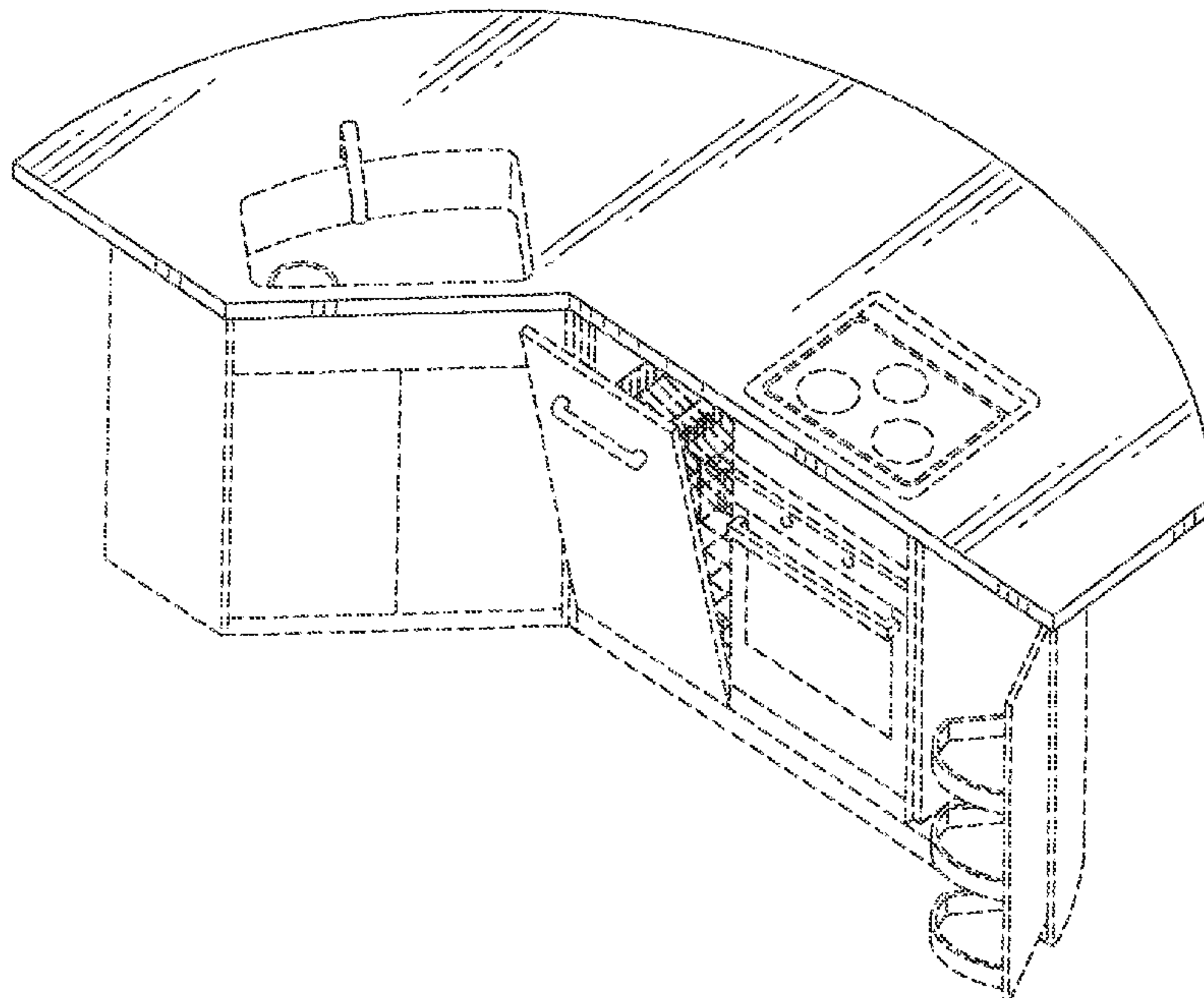
The broken lines are for illustrative purposes only and form no part of the claimed design.

(56) **References Cited**

U.S. PATENT DOCUMENTS

D207,713 S * 5/1967 Sullivan D6/511
D401,791 S * 12/1998 Schwab D6/486
D414,634 S * 10/1999 Smith et al. D6/511
D463,683 S * 10/2002 Goodworth D6/486
D479,417 S * 9/2003 Couture et al. D6/511
D590,644 S * 4/2009 Derocher et al. D6/511

1 Claim, 8 Drawing Sheets



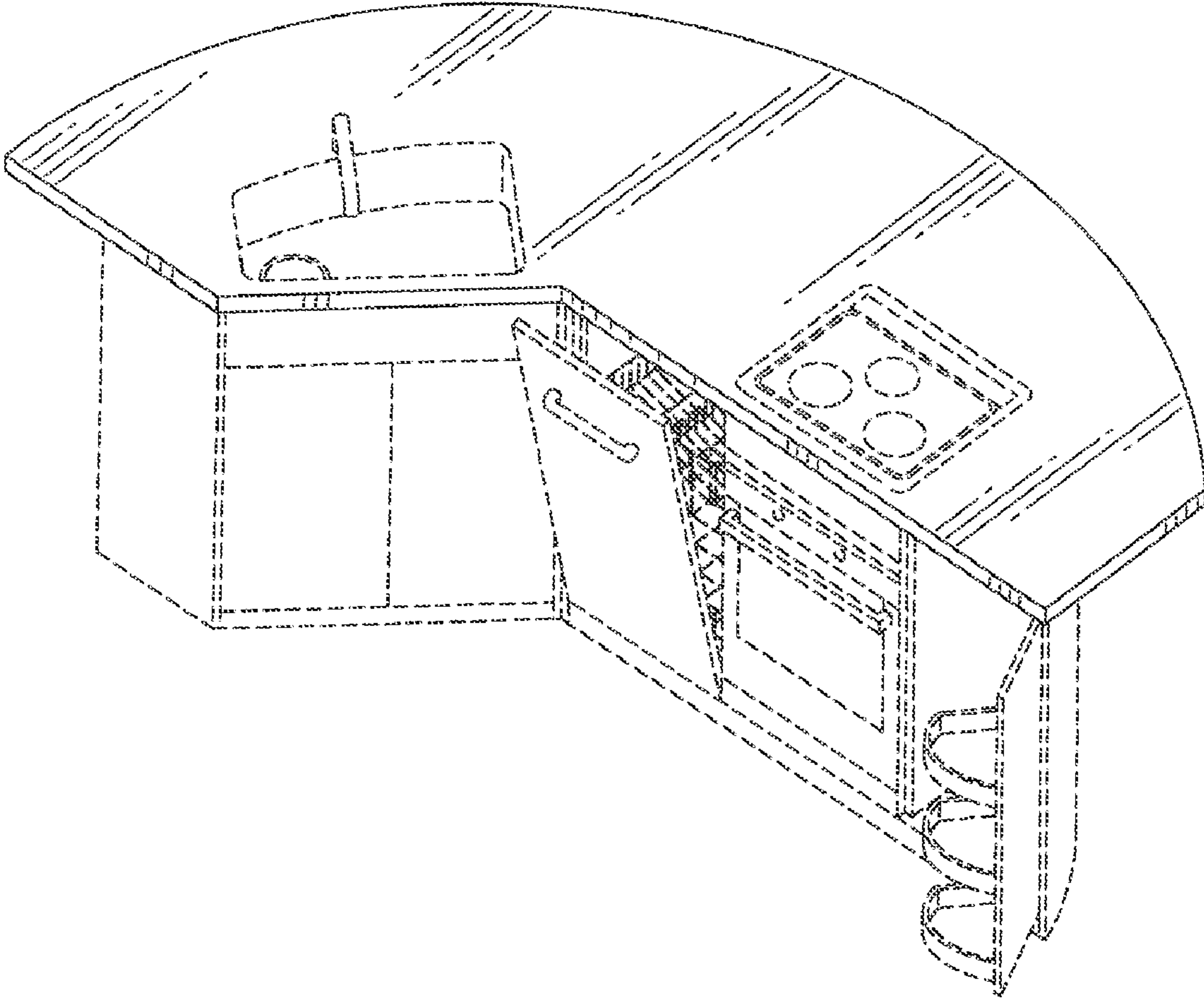


FIG. 1

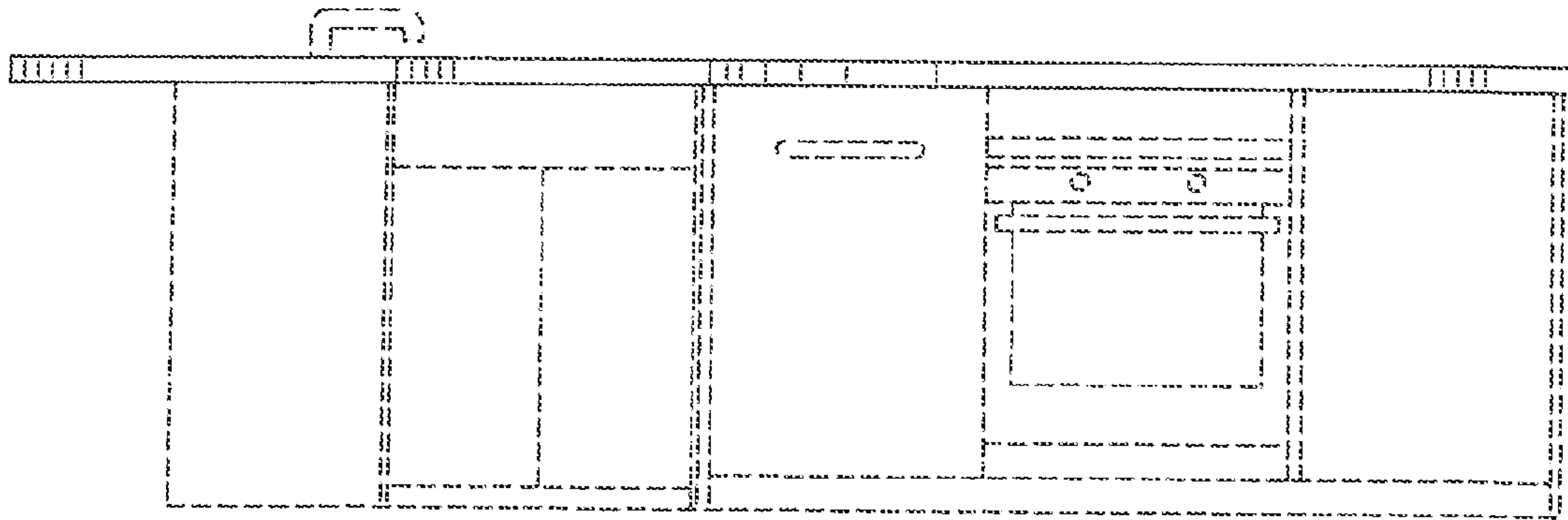


FIG. 2

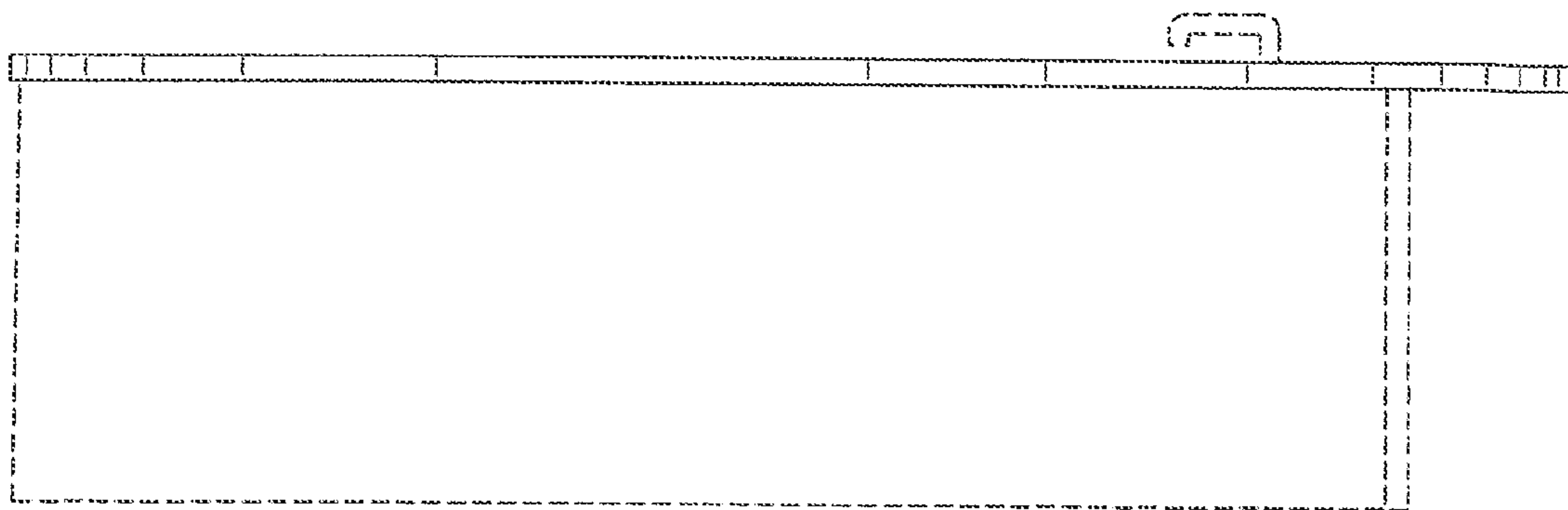


FIG. 3

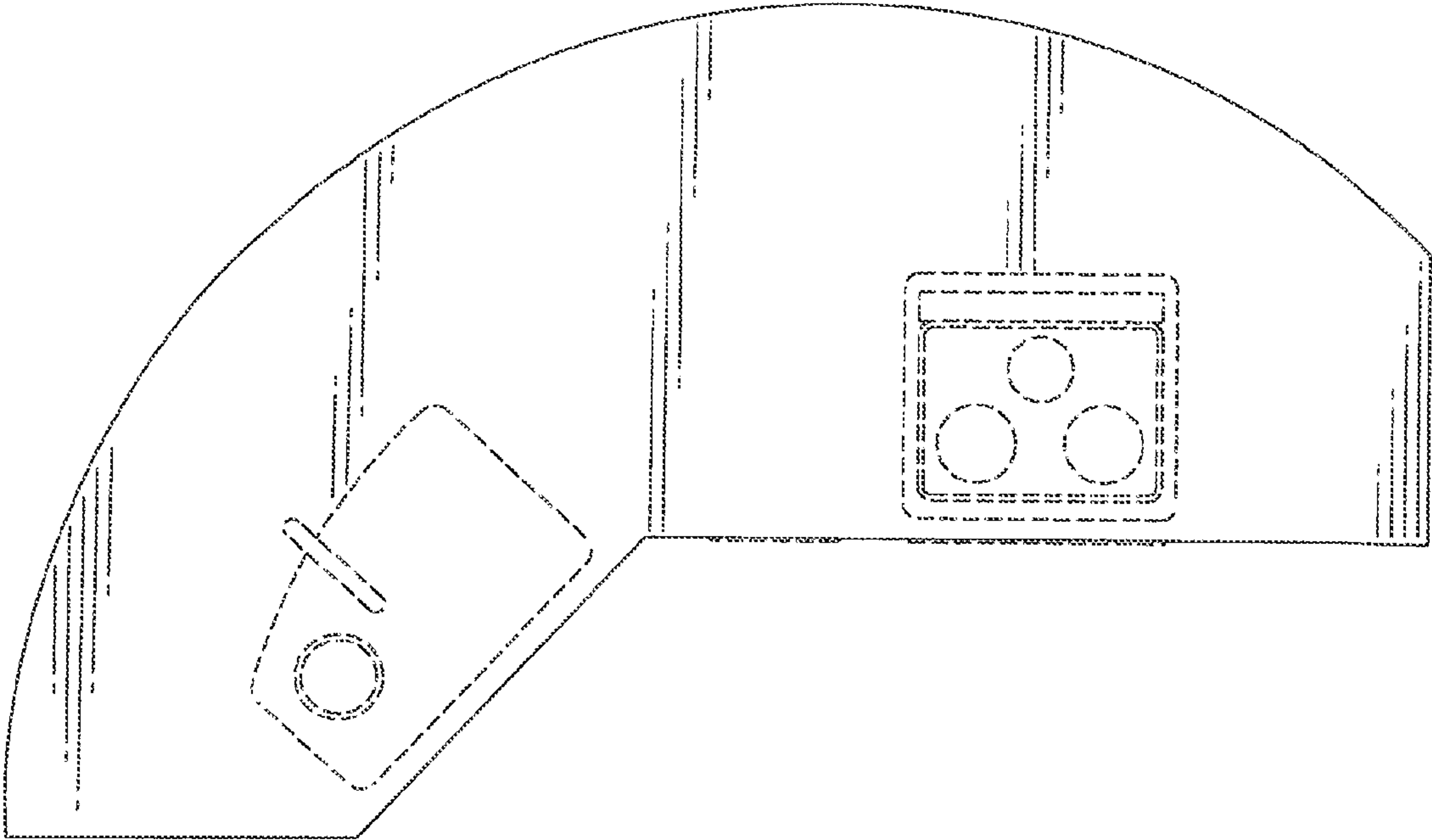


FIG. 4

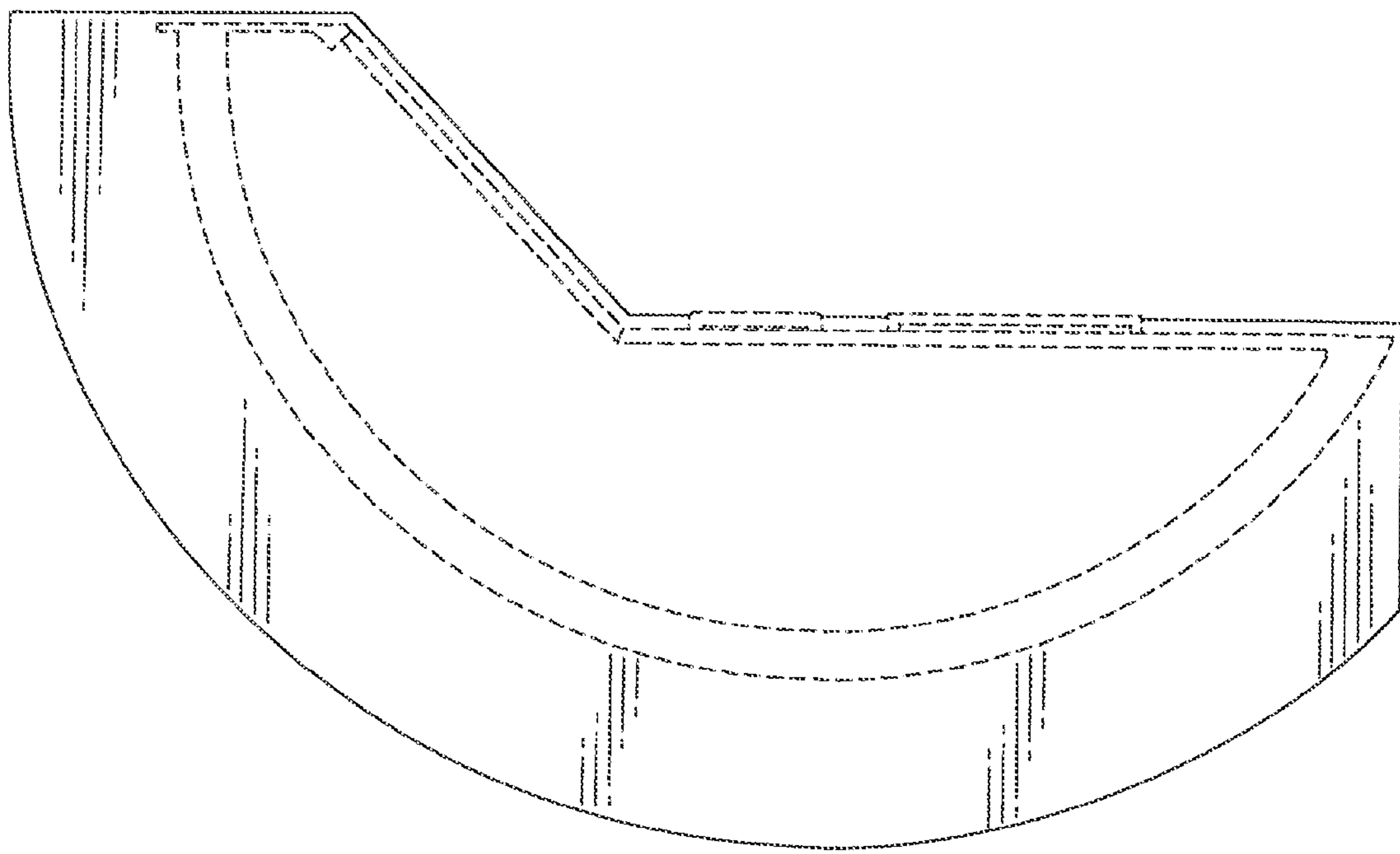


FIG. 5

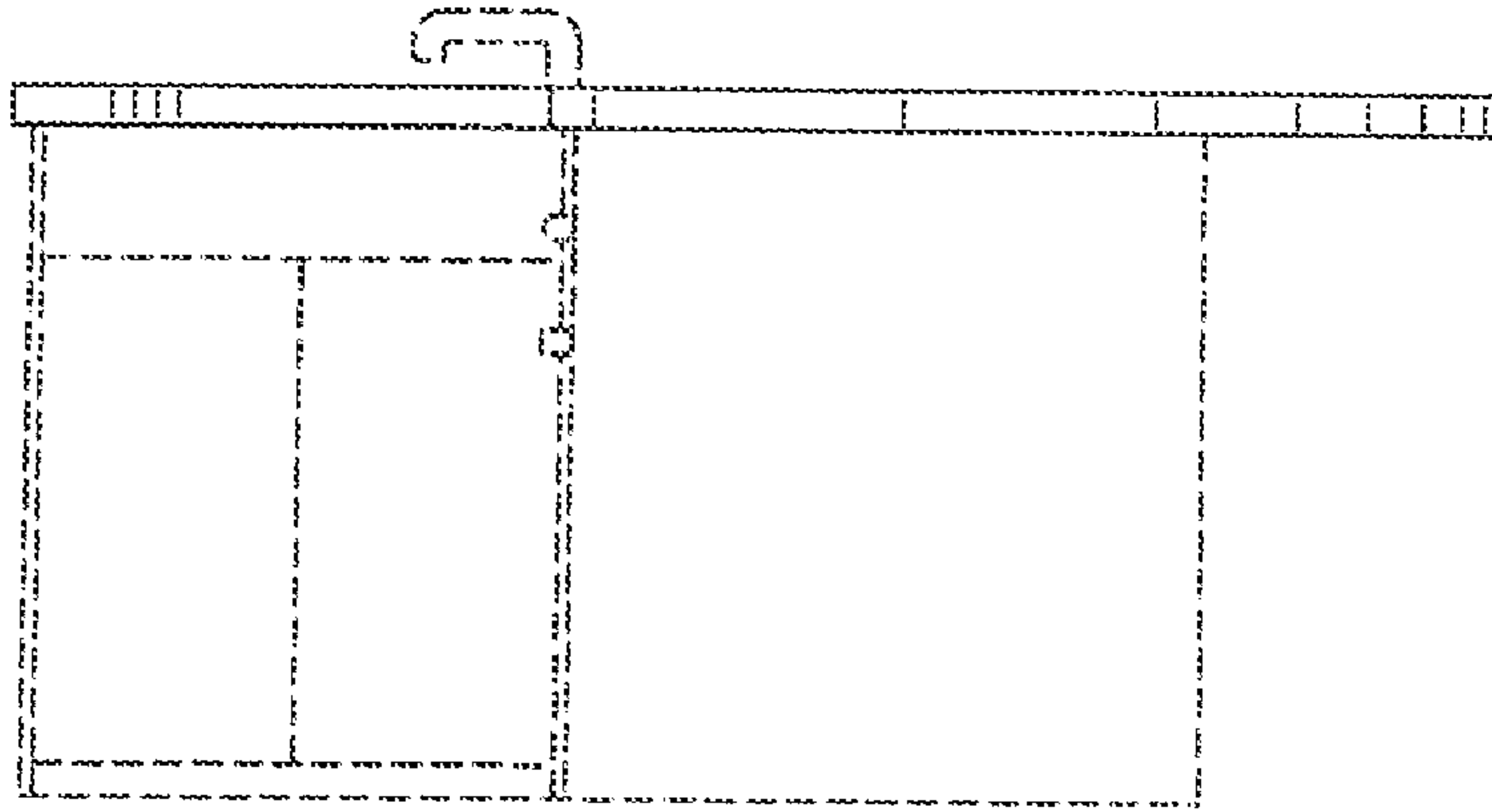


FIG. 6

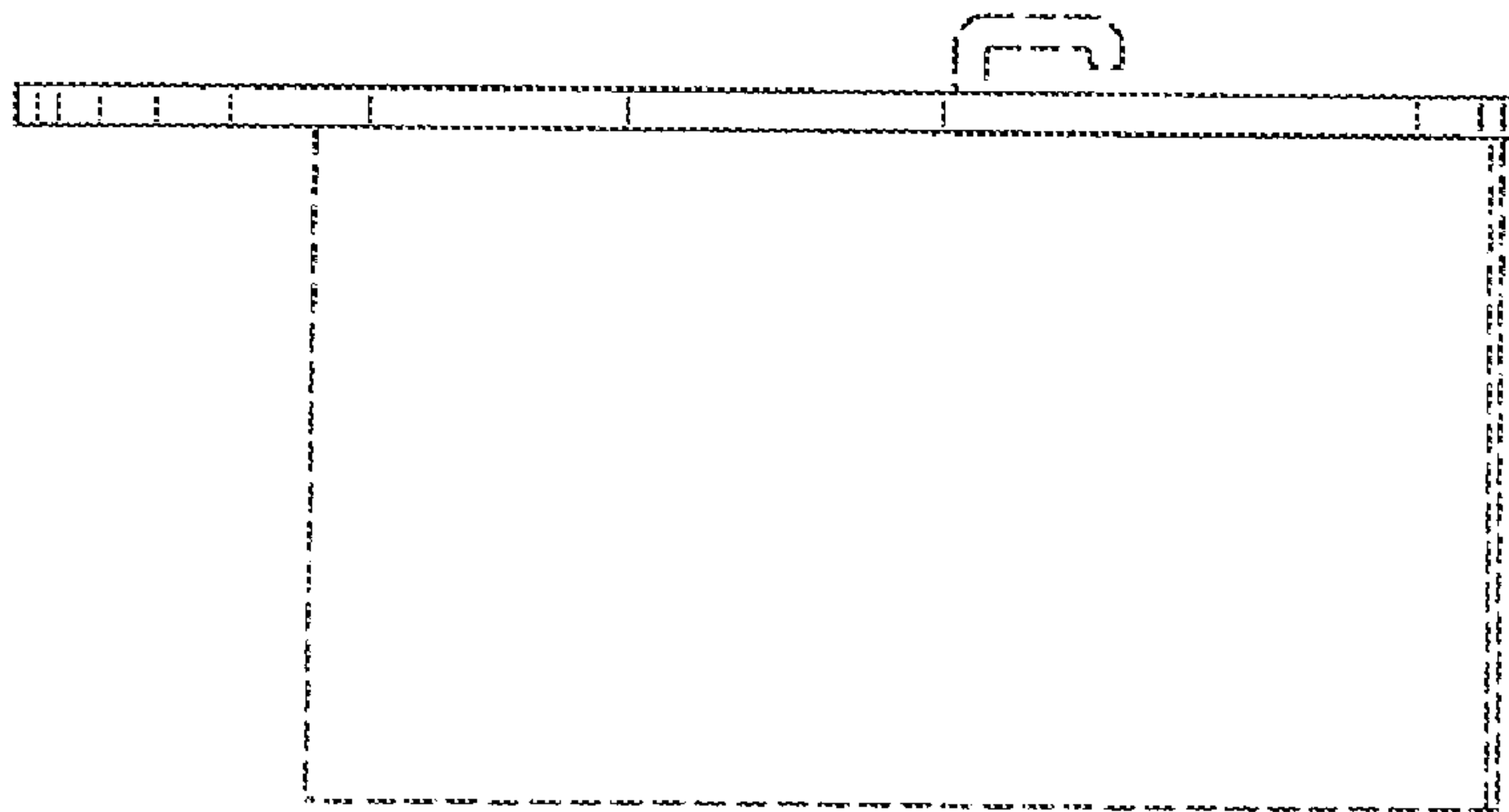


FIG. 7

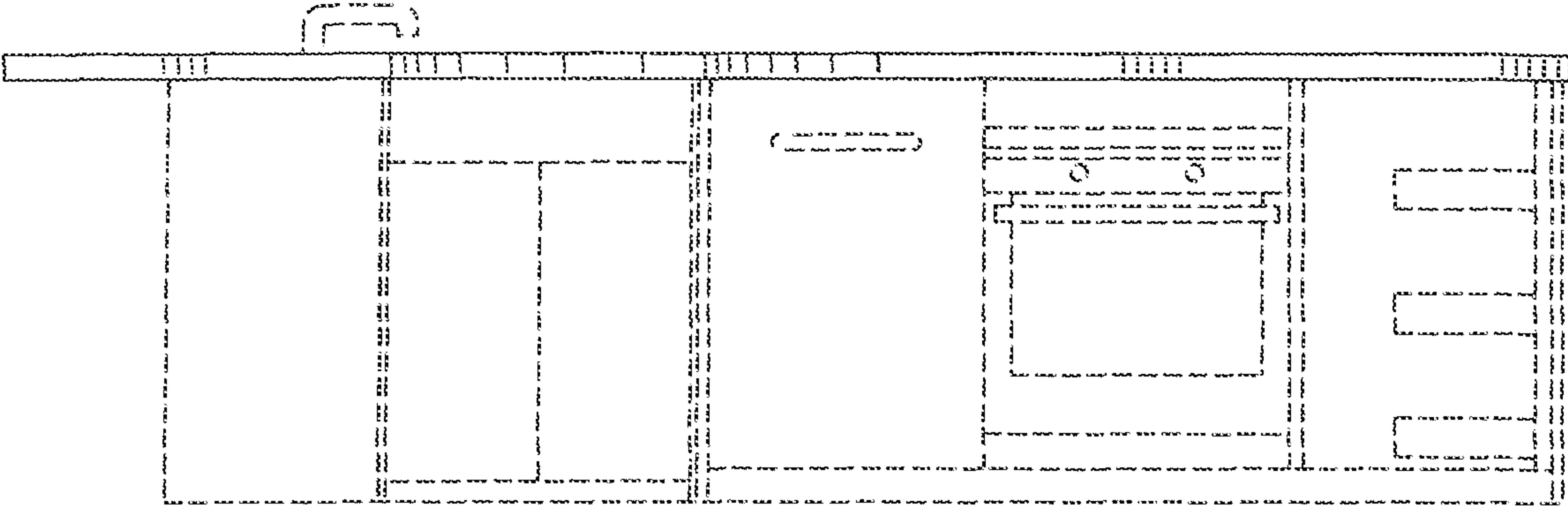


FIG. 8

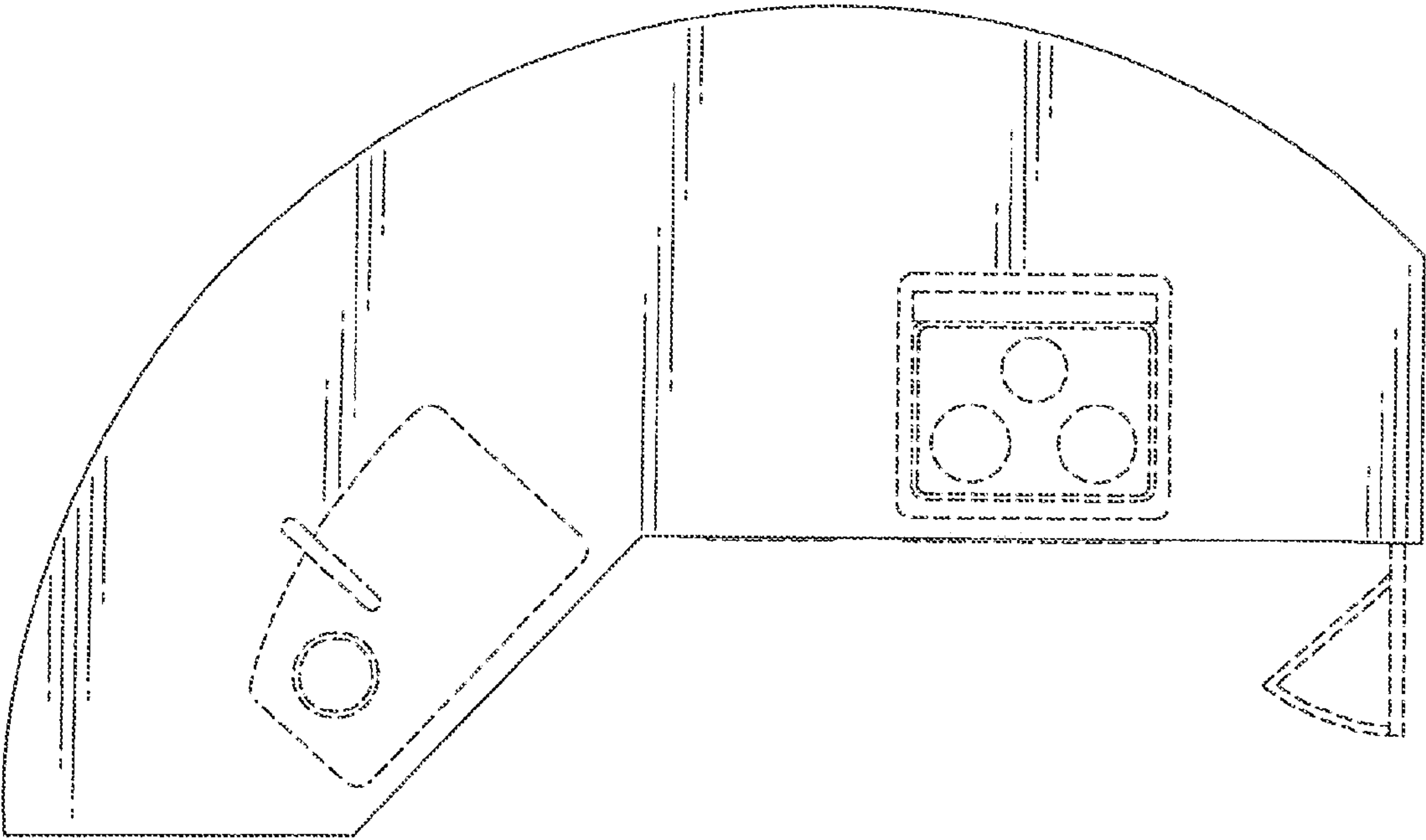


FIG. 9

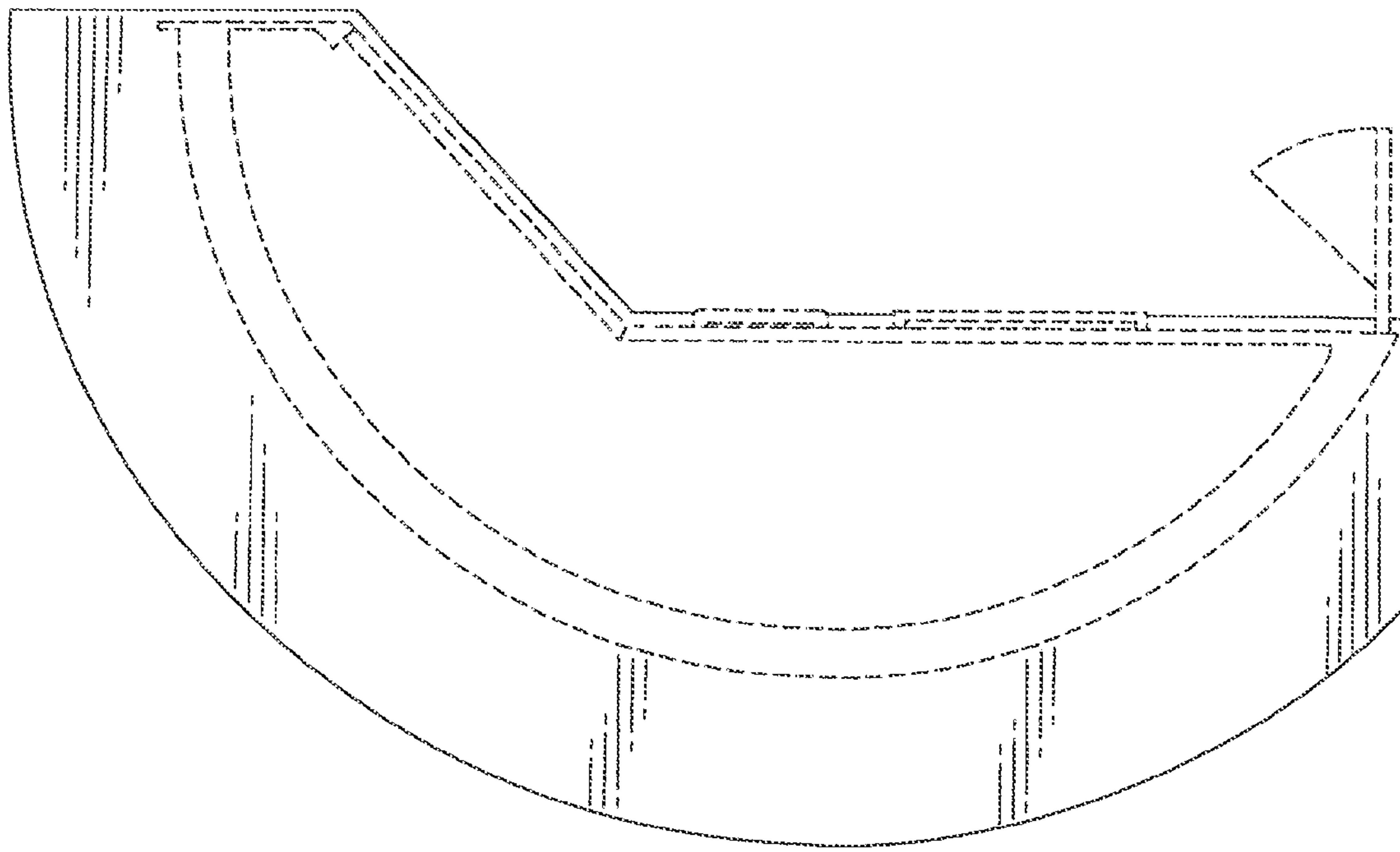


FIG. 10