



US00D620730S

(12) **United States Design Patent**
Maddux et al.

(10) **Patent No.:** **US D620,730 S**

(45) **Date of Patent:** **** Aug. 3, 2010**

(54) **COVERED BAR**

(75) Inventors: **Larry Maddux**, Westminster, CA (US);
Jeff Nicholson, Long Beach, CA (US)

(73) Assignee: **Cambro Manufacturing Co.**,
Huntington Beach, CA (US)

(**) Term: **14 Years**

(21) Appl. No.: **29/334,141**

(22) Filed: **Mar. 20, 2009**

(51) **LOC (9) Cl.** **06-05**

(52) **U.S. Cl.** **D6/481**

(58) **Field of Classification Search** D6/481,
D6/397, 491; D15/79; 312/283, 284, 140.1,
312/236, 116

See application file for complete search history.

(56) **References Cited**

U.S. PATENT DOCUMENTS

D184,799 S *	4/1959	Clemens	D6/509
3,162,495 A *	12/1964	Swift	108/23
4,572,598 A *	2/1986	Moore, Jr.	312/284
D300,591 S *	4/1989	Marchais	D6/481
D324,145 S *	2/1992	Diffrient	D6/491
D326,024 S *	5/1992	Boyd et al.	D6/480

D348,367 S *	7/1994	Geisen et al.	D6/481
D407,921 S *	4/1999	Horton	D6/474
D556,297 S *	11/2007	Baade et al.	D23/286
D570,640 S *	6/2008	Brunner	D7/332

* cited by examiner

Primary Examiner—Janice E Seeger

(74) *Attorney, Agent, or Firm*—George F. Bethel

(57) **CLAIM**

We claim the ornamental design for a covered bar, as shown and described.

DESCRIPTION

FIG. 1 shows a front and right side perspective view of the covered bar.

FIG. 2 shows a front elevation view.

FIG. 3 shows a right side elevation view.

FIG. 4 shows a top plan view.

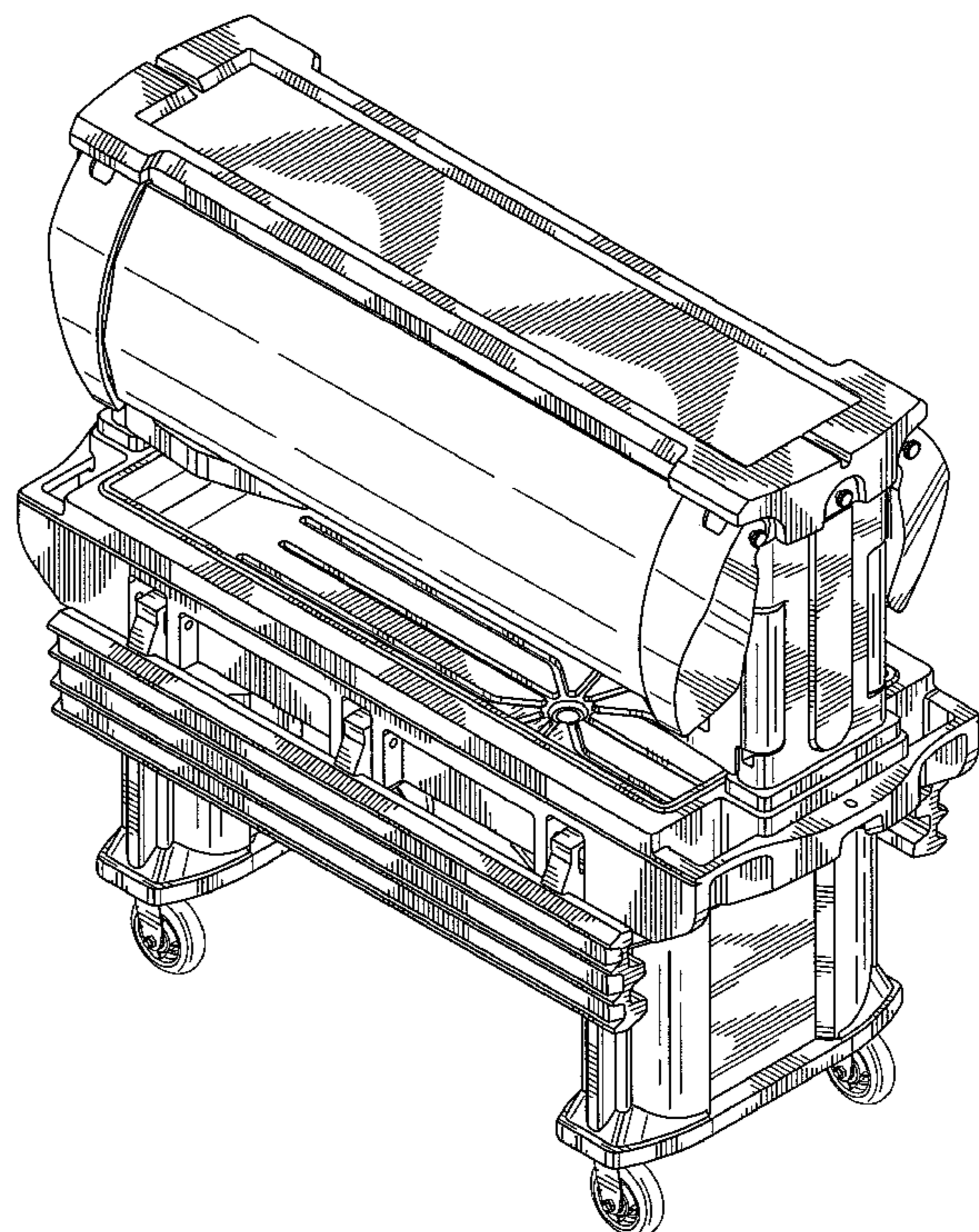
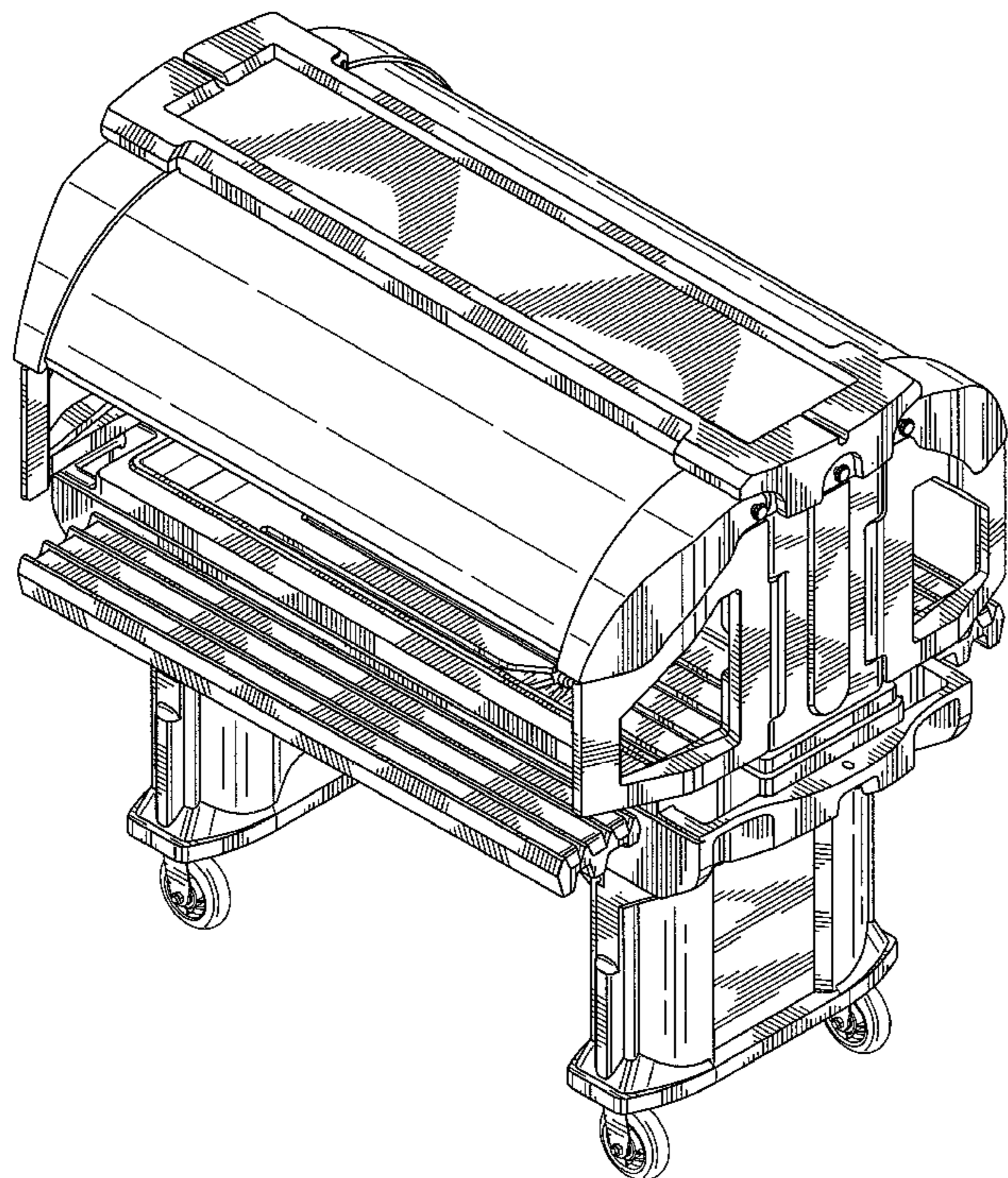
FIG. 5 shows a left side elevation view.

FIG. 6 shows a back elevation view.

FIG. 7 shows a bottom plan view; and,

FIG. 8 shows a front and right side perspective view folded up.

1 Claim, 8 Drawing Sheets



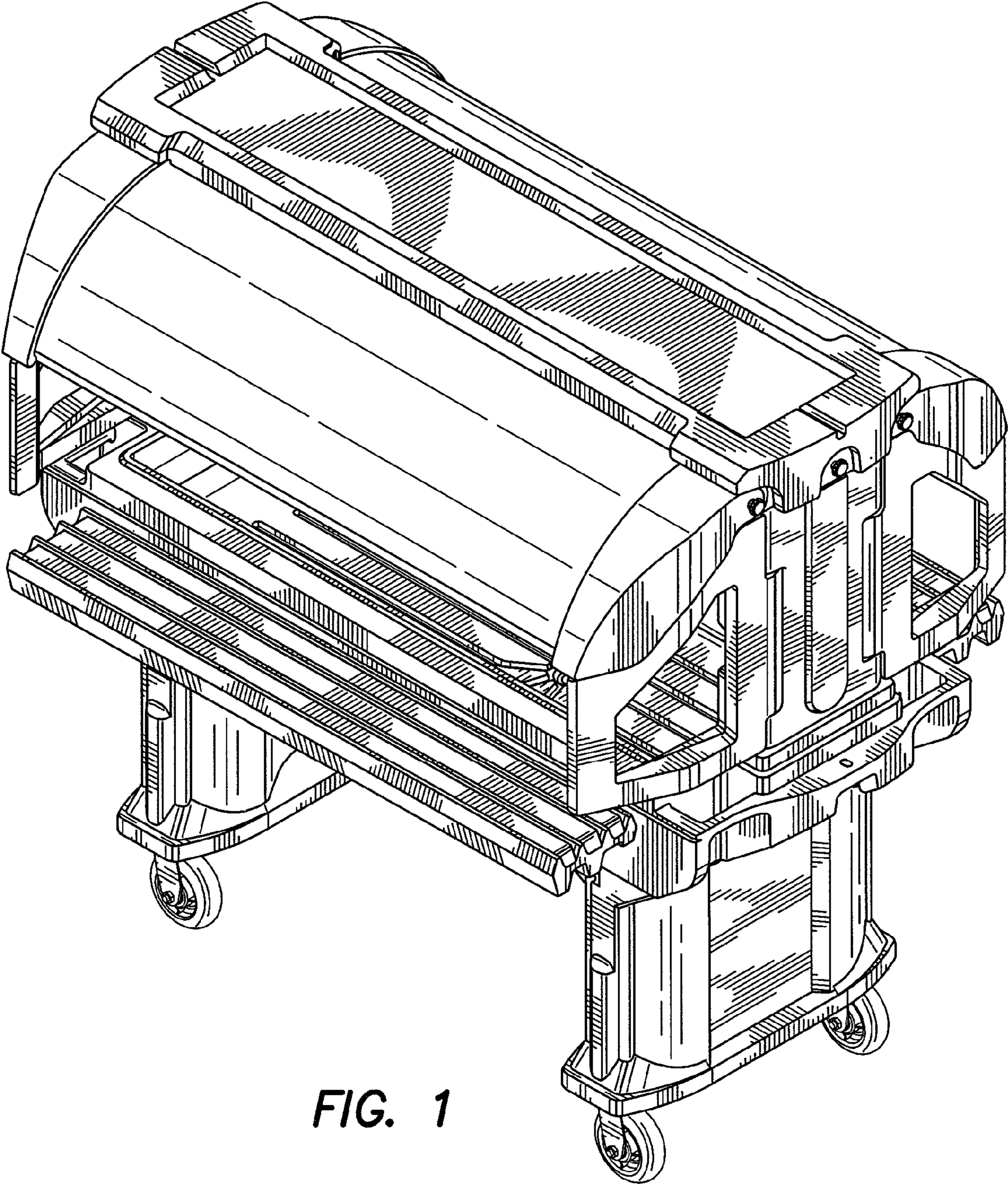


FIG. 1

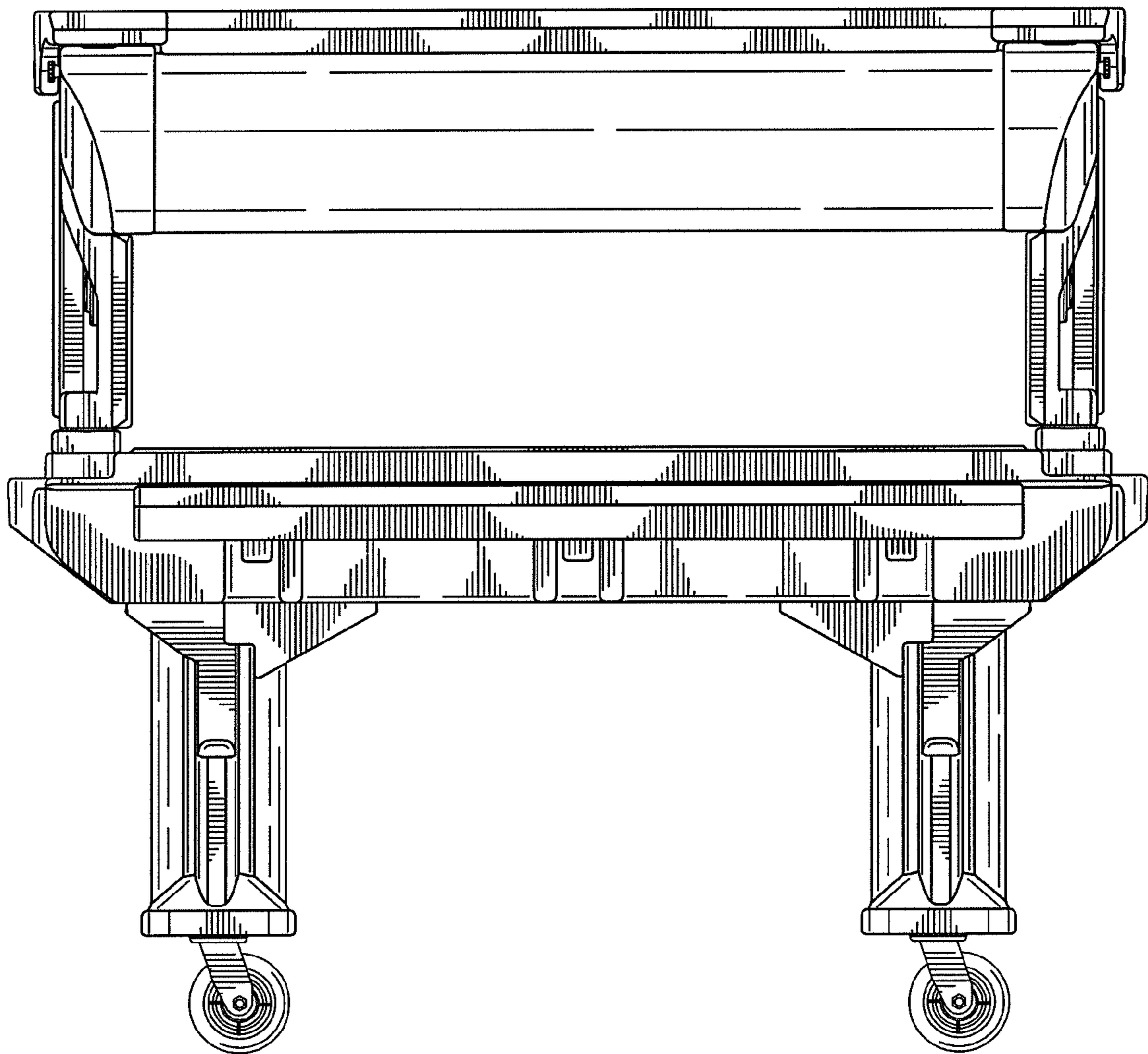


FIG. 2

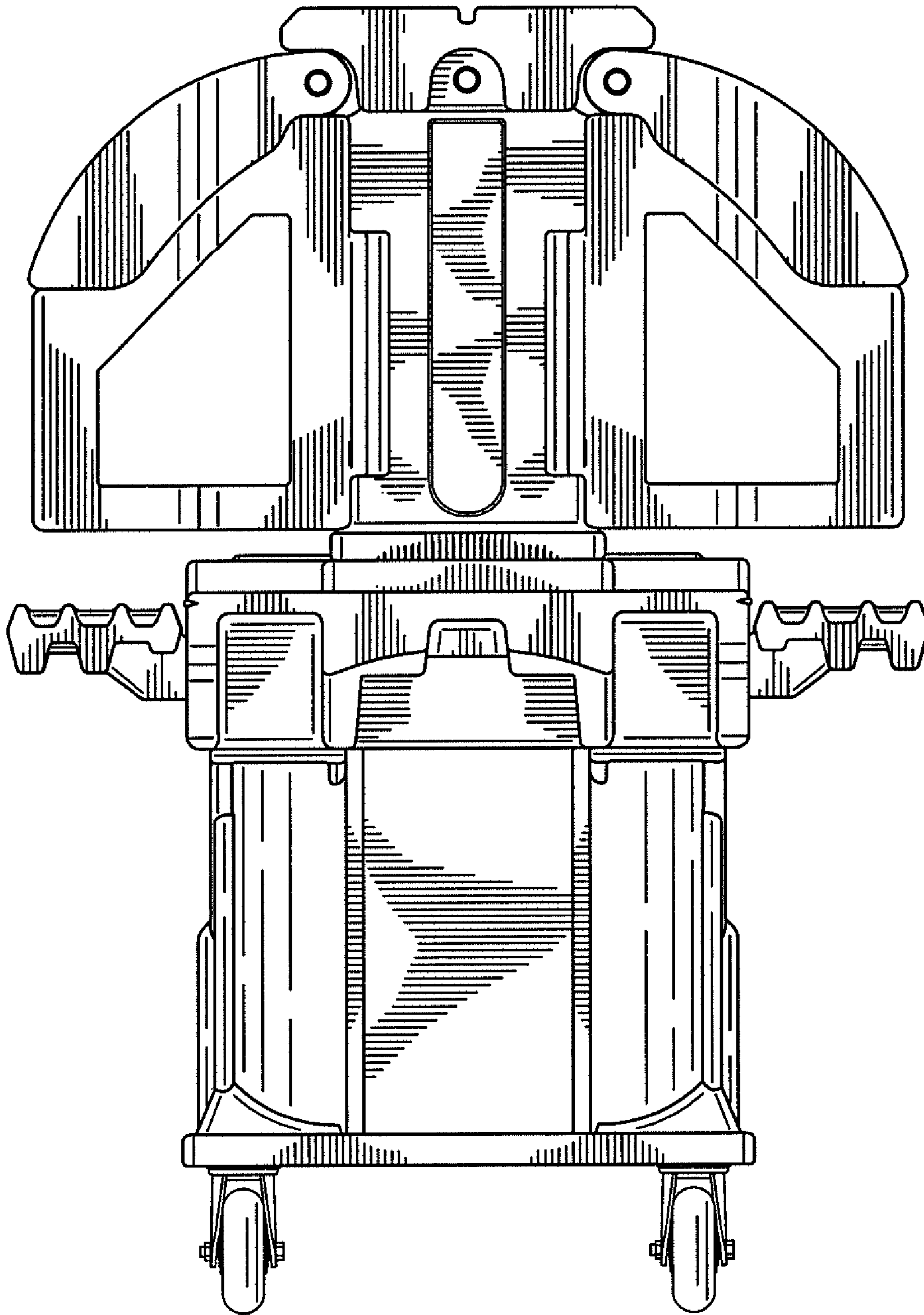


FIG. 3

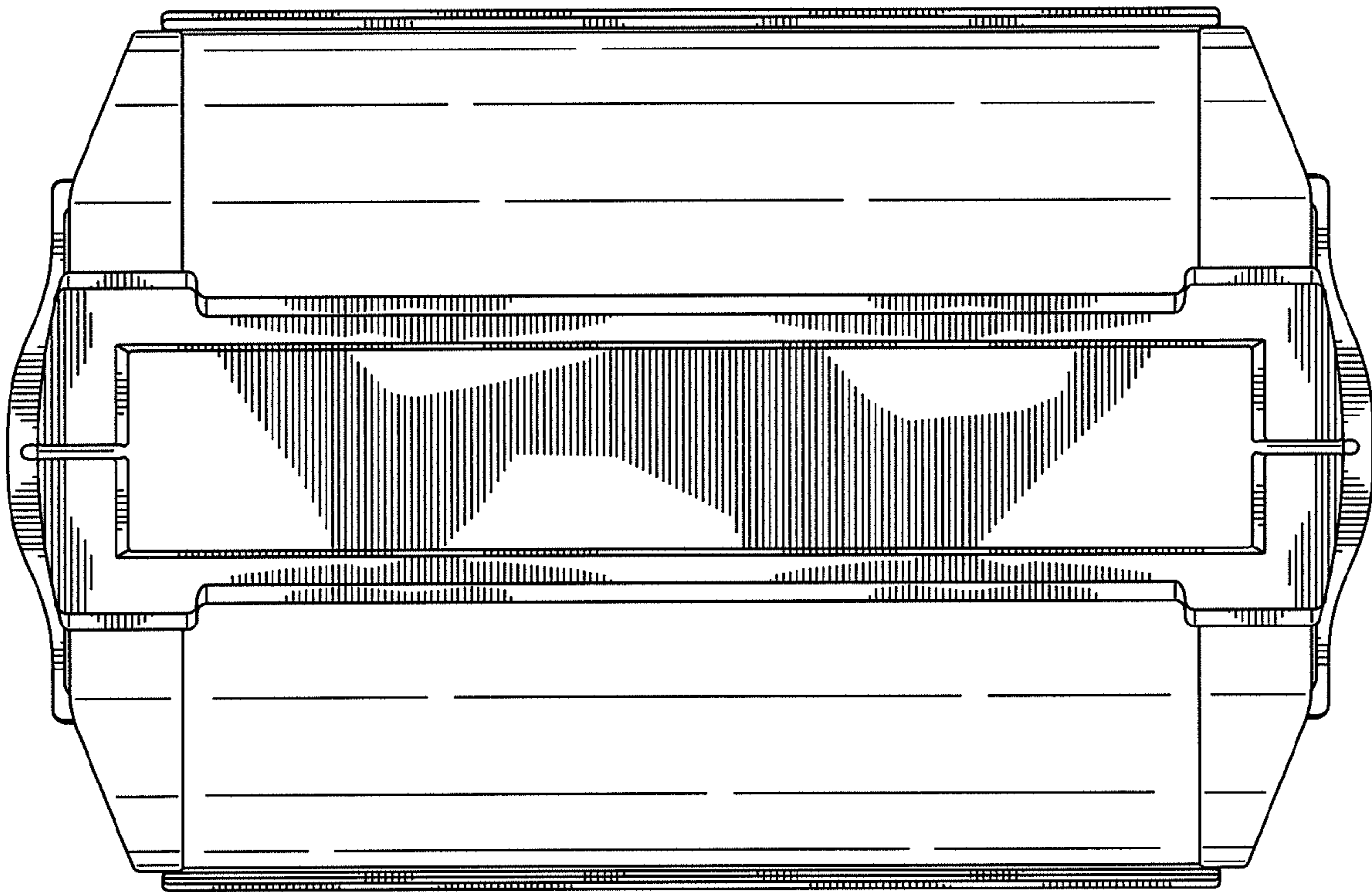


FIG. 4

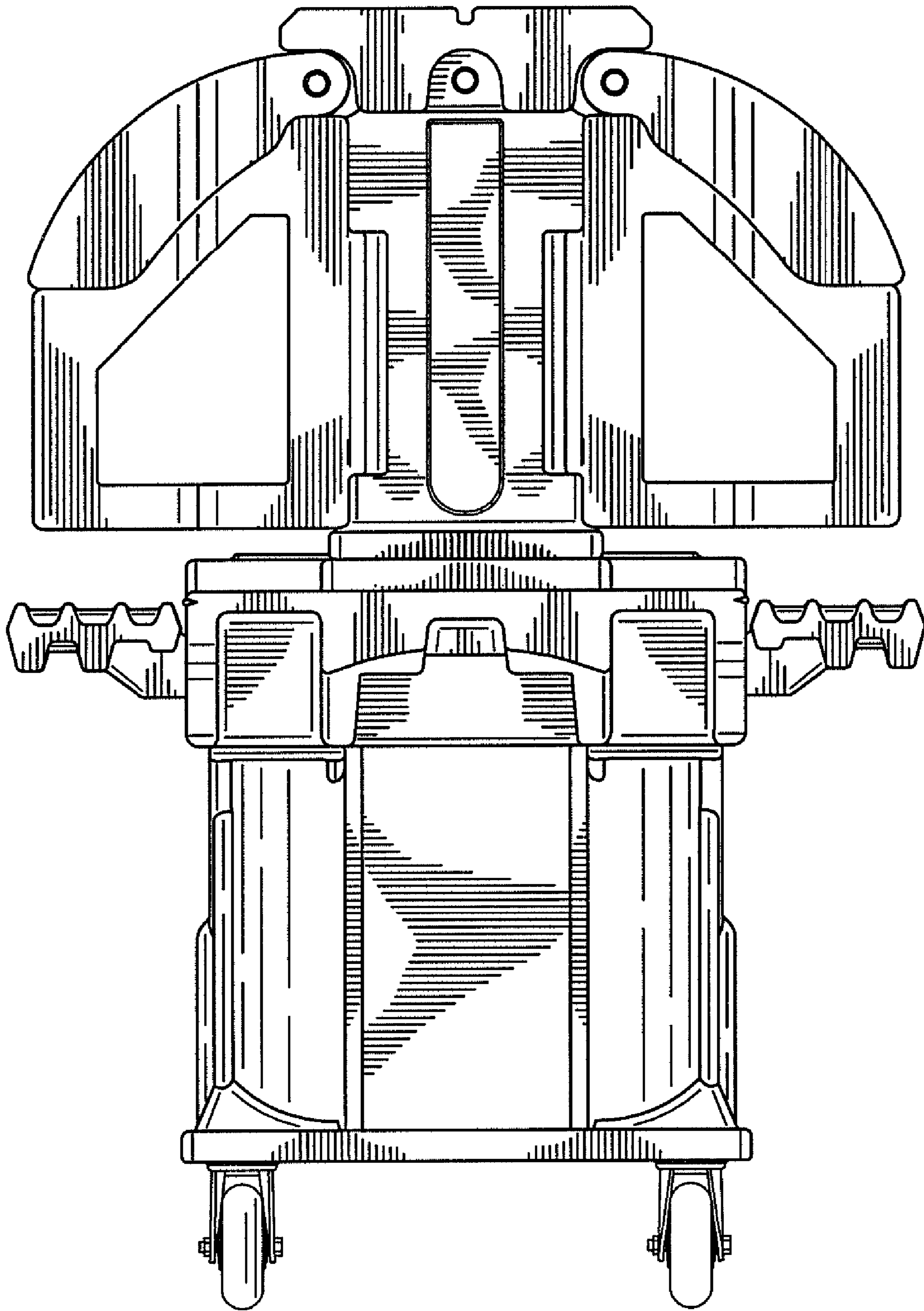


FIG. 5

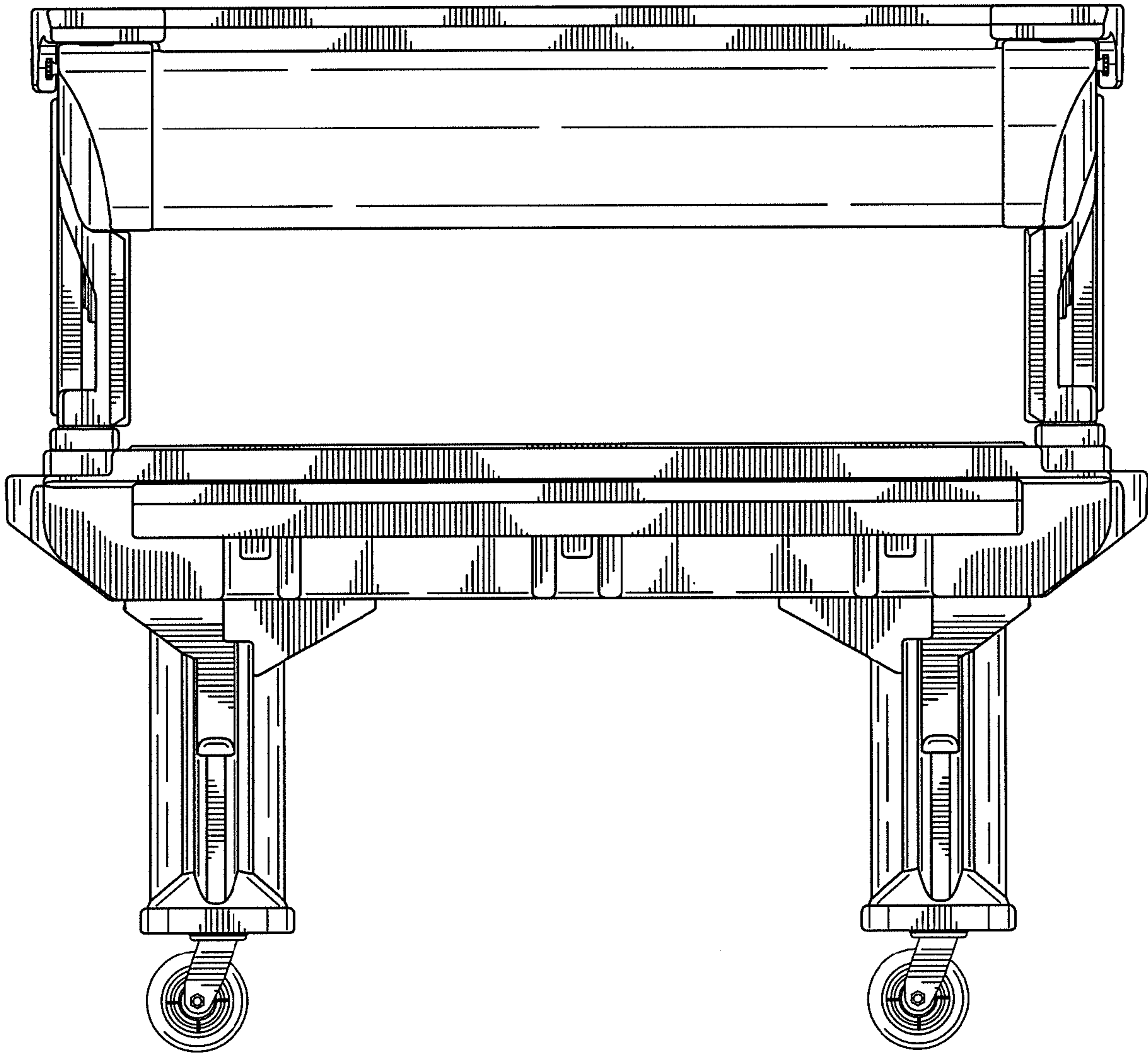


FIG. 6

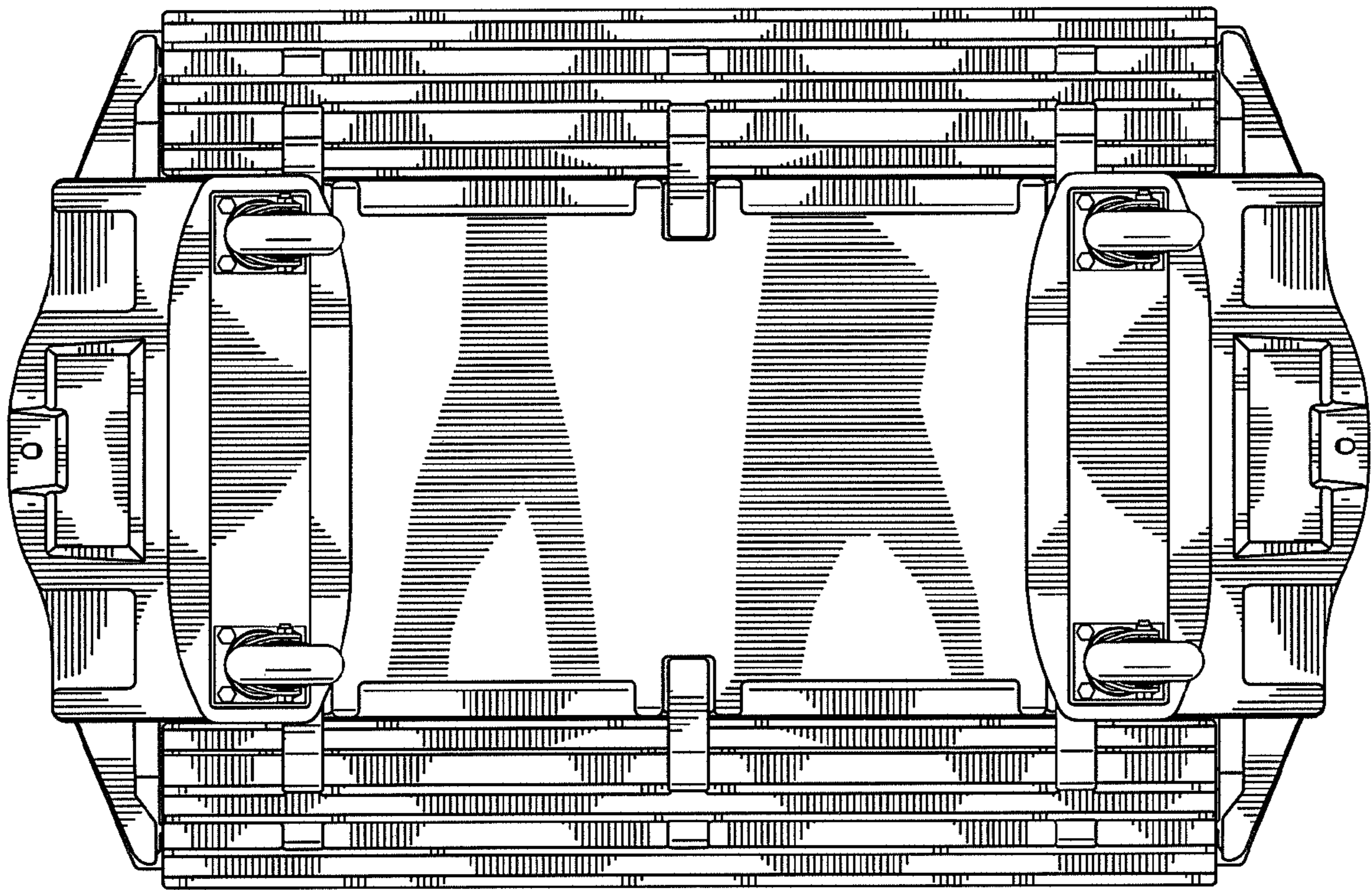


FIG. 7

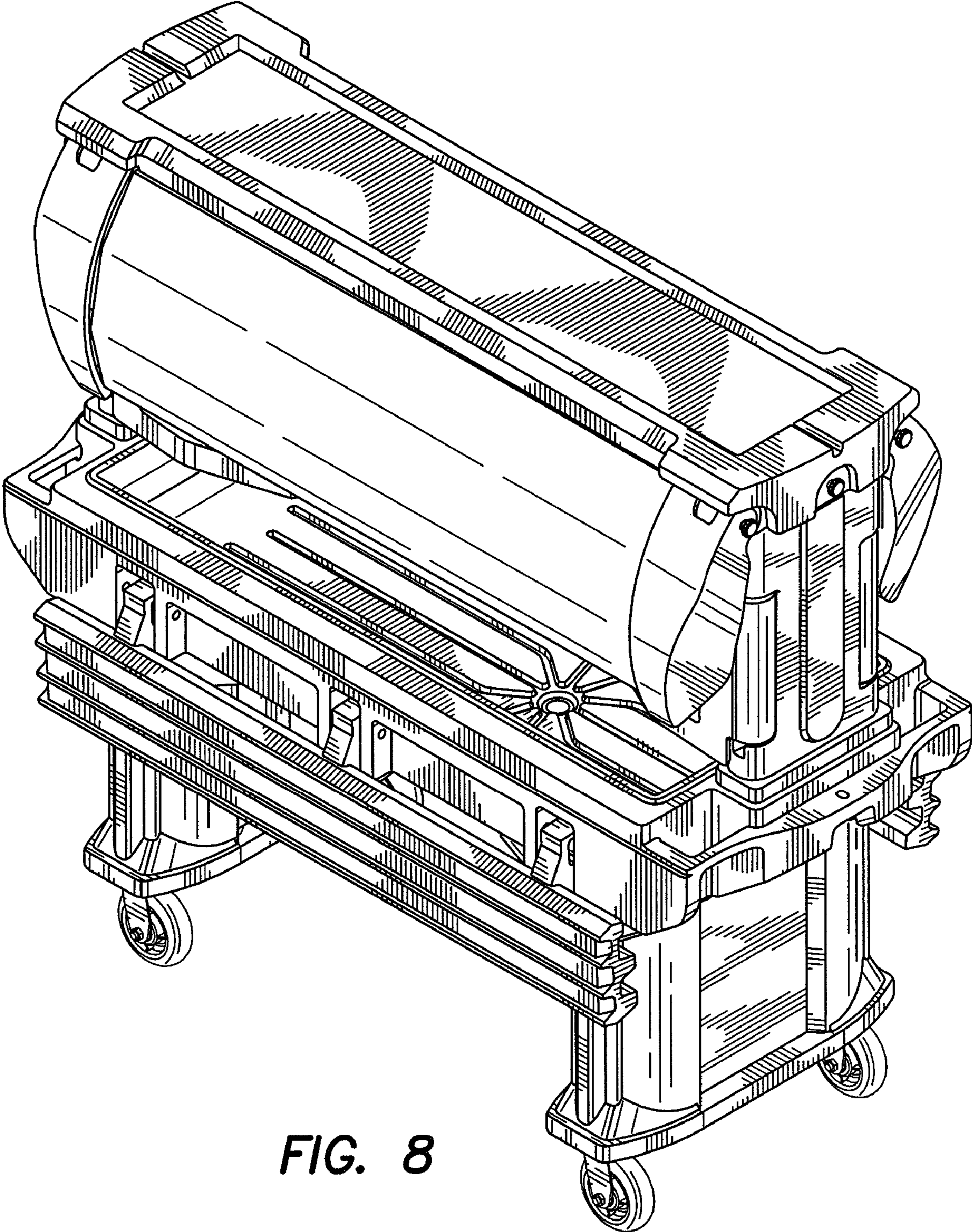


FIG. 8