



US00D620729S

(12) **United States Design Patent**
Snider

(10) **Patent No.:** **US D620,729 S**

(45) **Date of Patent:** **** Aug. 3, 2010**

(54) **THREE SHELF ASSEMBLY**

(75) Inventor: **Martin Snider**, New City, NY (US)

(73) Assignee: **MSA Products, Inc.**, Nyack, NY (US)

(**) Term: **14 Years**

(21) Appl. No.: **29/351,379**

(22) Filed: **Dec. 4, 2009**

(51) **LOC (9) Cl.** **06-04**

(52) **U.S. Cl.** **D6/467**

(58) **Field of Classification Search** D6/465,
D6/396, 397, 630, 449, 468, 474, 499, 476-479,
D6/510, 511, 467; 108/59-61, 91-93, 147.11,
108/158.11; 211/42, 43, 49.1, 85.26, 133.2,
211/134, 181.1, 182, 188, 203; 312/7.2
See application file for complete search history.

(56) **References Cited**

U.S. PATENT DOCUMENTS

D180,617 S *	7/1957	Patterson	D6/464
2,913,128 A *	11/1959	Milner	108/181
D188,478 S *	7/1960	Patterson	D6/464
D196,160 S *	8/1963	Patterson	D6/465
D280,771 S *	9/1985	Barnett	D34/22
D292,658 S *	11/1987	Kester	D6/465
D292,764 S *	11/1987	Kester	D6/465
D316,494 S *	4/1991	Kee	D6/465
D317,094 S *	5/1991	Weinberg et al.	D6/463
D364,288 S *	11/1995	Kramer et al.	D6/465

D368,186 S *	3/1996	Tiemann	D6/465
5,676,263 A *	10/1997	Chang	211/187
6,260,488 B1 *	7/2001	Yang et al.	108/107
D446,409 S *	8/2001	Walters-Dowding et al.	..	D6/465
D467,097 S *	12/2002	Poynter et al.	D6/465
D485,092 S *	1/2004	Rosen	D6/465
D542,058 S *	5/2007	Clucas	D6/465
D551,884 S *	10/2007	Remmers	D6/511

* cited by examiner

Primary Examiner—Philip S Hyder

Assistant Examiner—Sydney R Buffalow

(74) *Attorney, Agent, or Firm*—Gerald E. Hespos; Michael J. Porco

(57) **CLAIM**

The ornamental design for a three shelf assembly, as shown and described.

DESCRIPTION

FIG. 1 is a perspective view of a three shelf assembly in accordance with my design.

FIG. 2 is a top plan view thereof;

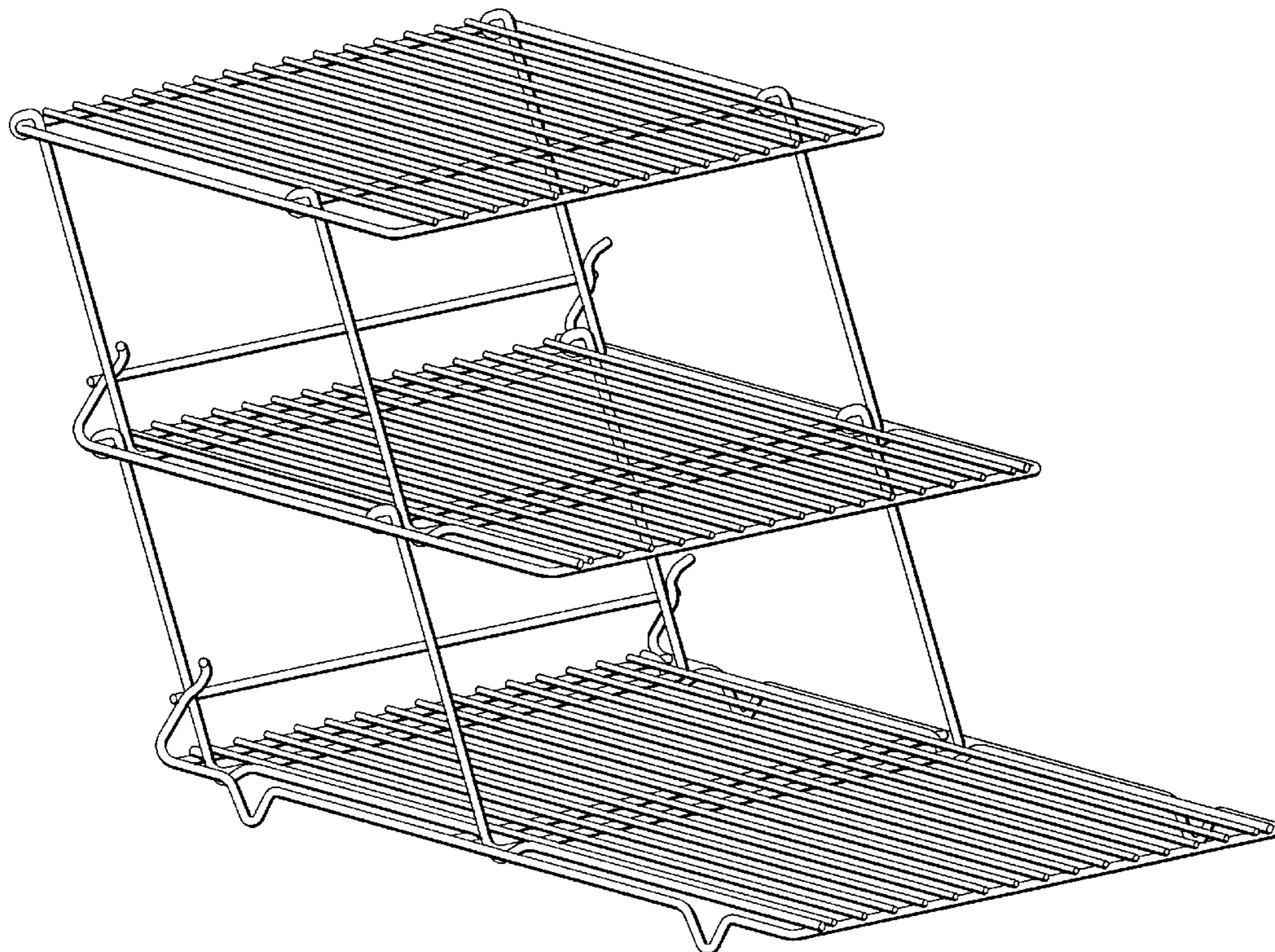
FIG. 3 is a side elevational view as viewed from the left side of FIG. 1, with the right side elevational view being a mirror image thereof;

FIG. 4 is a front elevational view thereof;

FIG. 5 is a rear elevational view thereof; and,

FIG. 6 is a bottom plan view thereof.

1 Claim, 6 Drawing Sheets



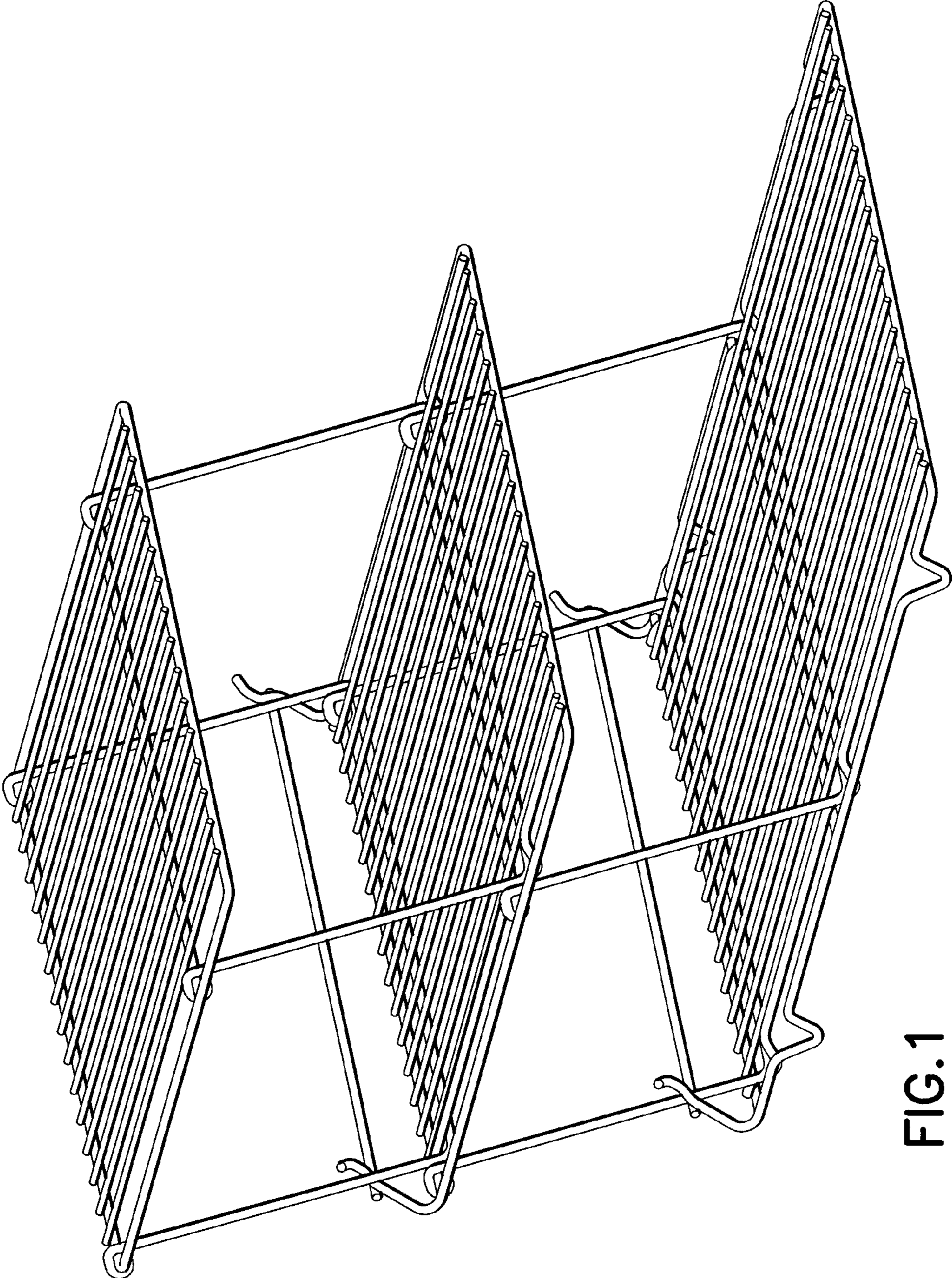


FIG. 1

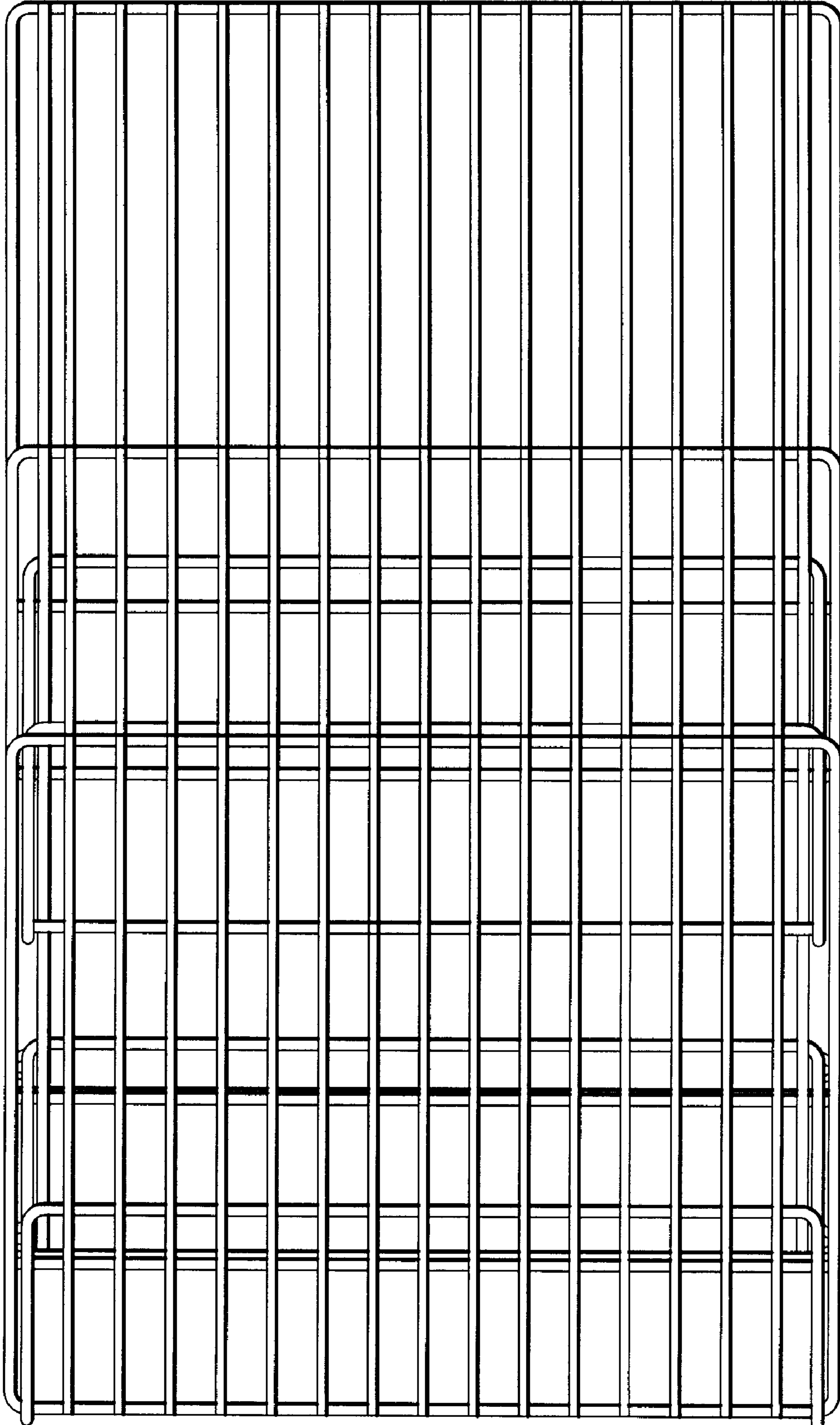


FIG. 2

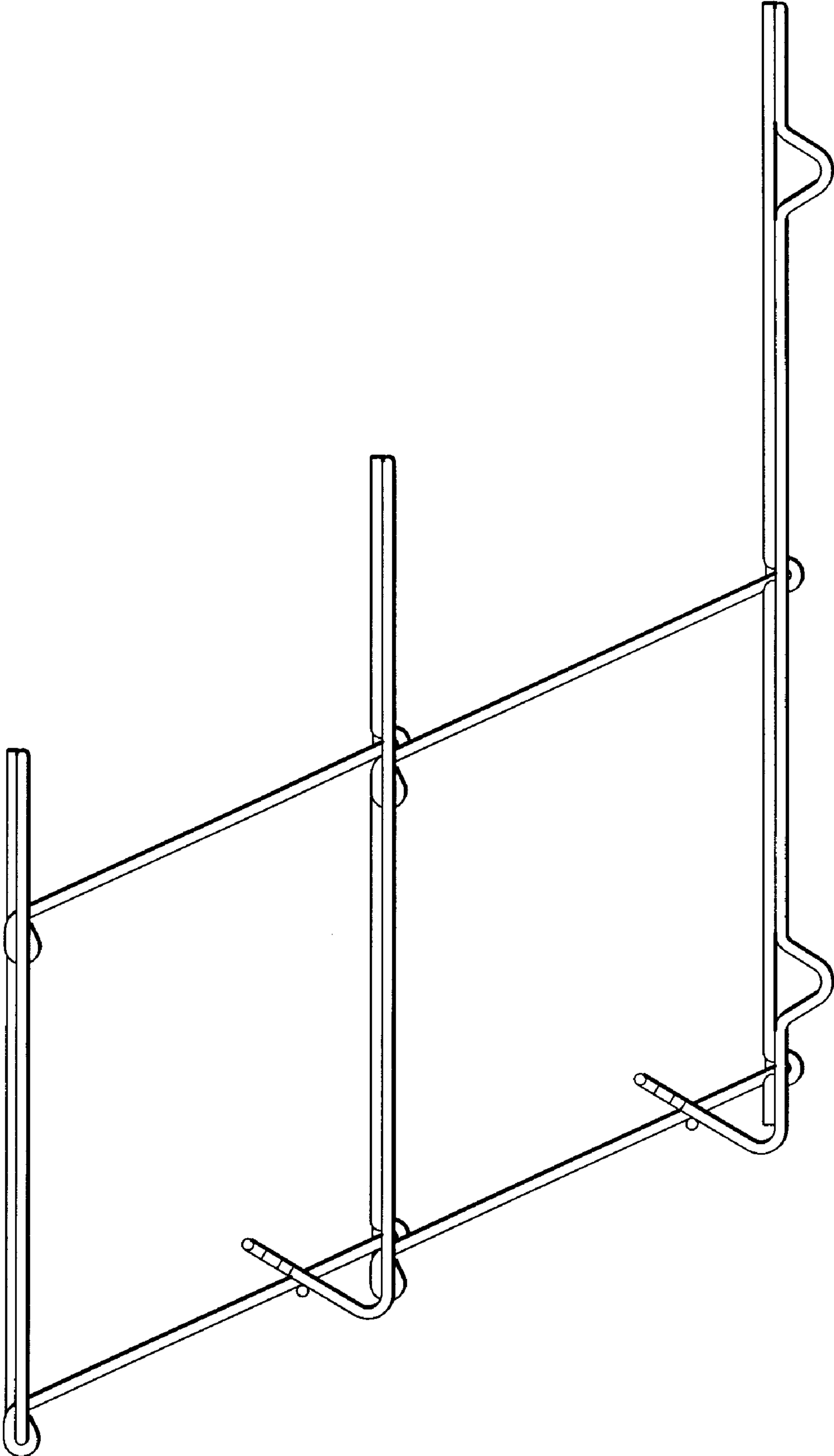


FIG. 3

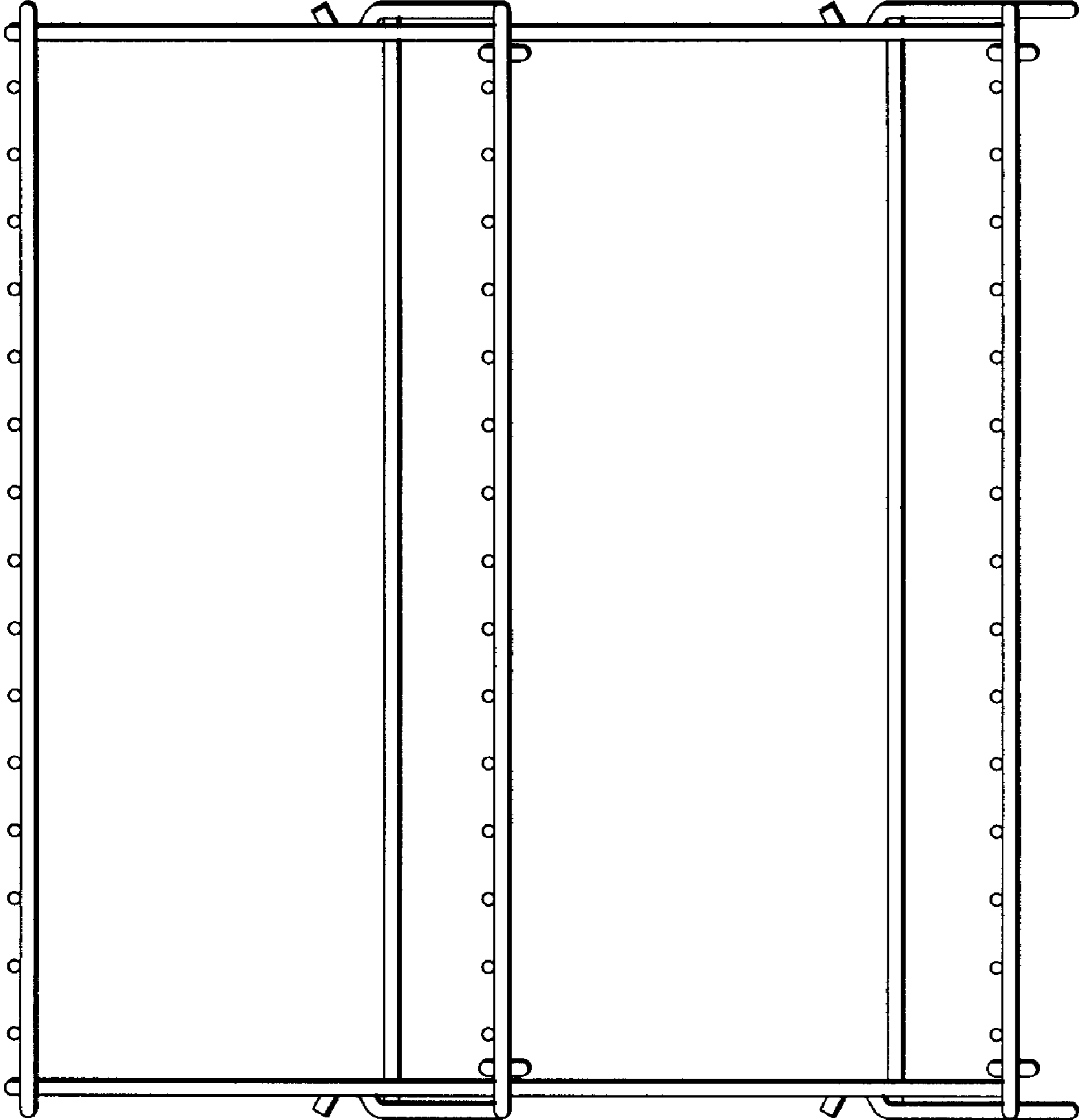


FIG.4

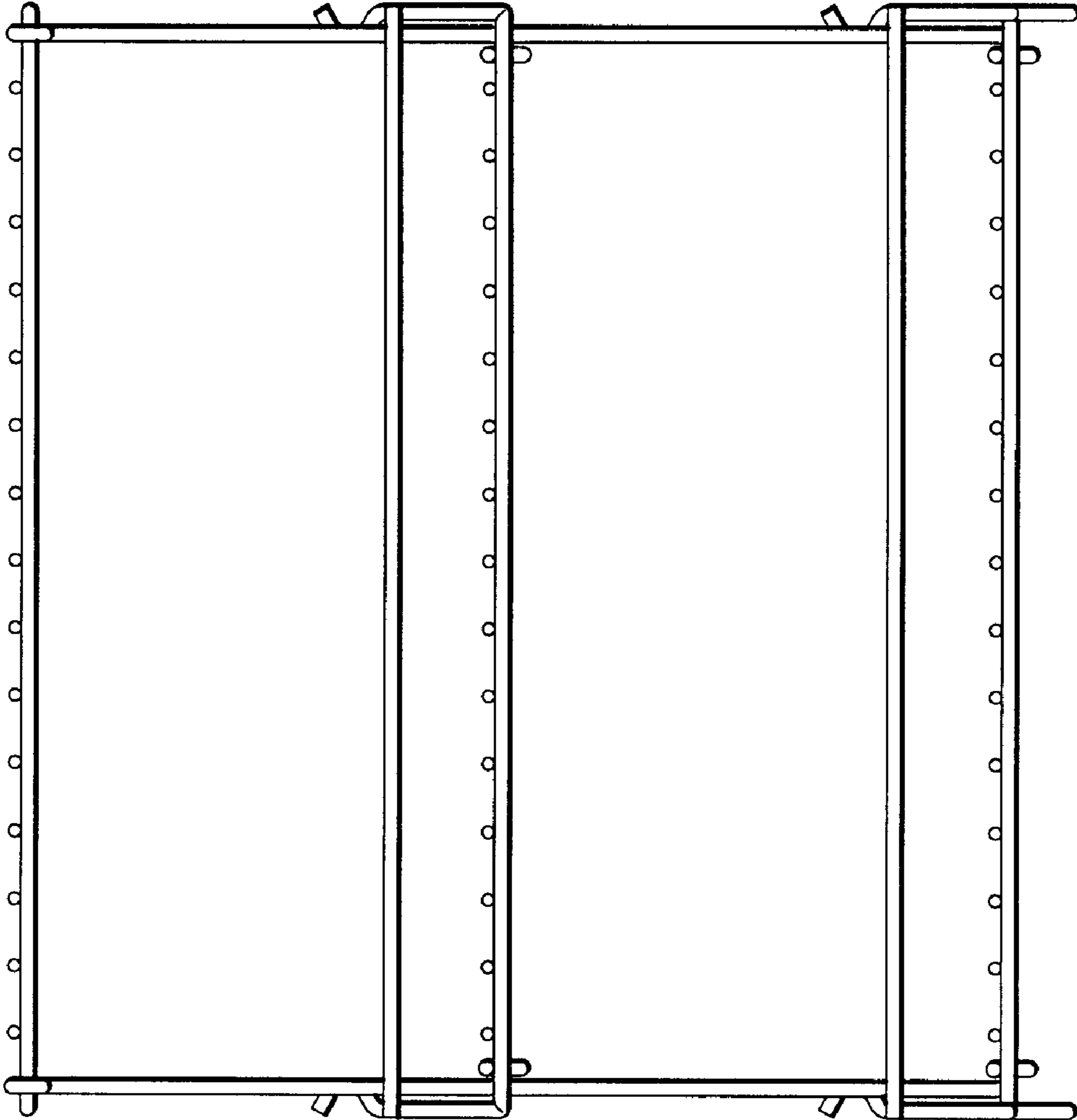


FIG.5

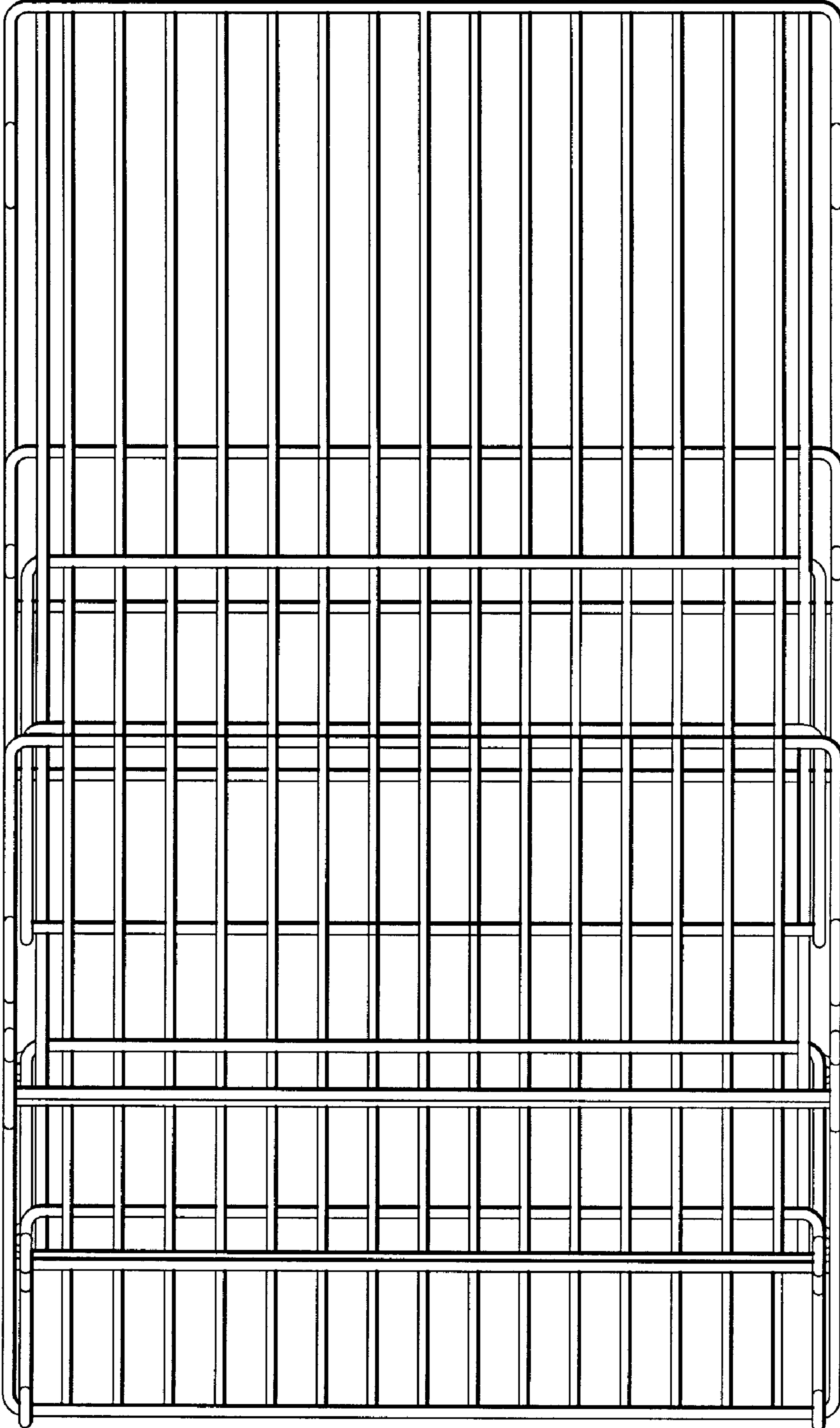


FIG. 6