

US00D620728S

(12) **United States Design Patent**
Snider

(10) **Patent No.:** **US D620,728 S**

(45) **Date of Patent:** **** Aug. 3, 2010**

(54) **COFFEE PODS HOLDER**

(75) Inventor: **Martin Snider**, New City, NY (US)

(73) Assignee: **MSA Products, Inc.**, Nyack, NY (US)

(**) Term: **14 Years**

(21) Appl. No.: **29/345,644**

(22) Filed: **Oct. 20, 2009**

(51) **LOC (9) Cl.** **06-04**

(52) **U.S. Cl.** **D6/462**

(58) **Field of Classification Search** D6/464,
D6/462, 463, 466, 468, 467, 449, 457, 405,
D6/469, 473; D34/18, 23; 211/75, 13.1,
211/74, 85.31, 128.1, 133.2, 106, 40, 49.1,
211/77, 144, 70.1, 181.1; D7/701-708, 600.1-600.4
See application file for complete search history.

(56) **References Cited**

U.S. PATENT DOCUMENTS

- D228,600 S * 10/1973 Moffatt D6/310
- D297,063 S * 8/1988 Baldwin D34/18
- D317,095 S * 5/1991 Albers et al. D6/464
- D590,183 S * 4/2009 Hensel D6/457

2003/0178381 A1* 9/2003 Liang 211/74
2005/0098510 A1* 5/2005 Lom et al. 211/13.1

* cited by examiner

Primary Examiner—Philip S Hyder

Assistant Examiner—Sydney R Buffalow

(74) *Attorney, Agent, or Firm*—Gerald E. Hespos; Michael J. Porco

(57) **CLAIM**

The ornamental design of a coffee pods holder, as shown and described.

DESCRIPTION

FIG. 1 is a perspective view of a coffee pods holder in accordance with my design.

FIG. 2 is top plan view thereof;

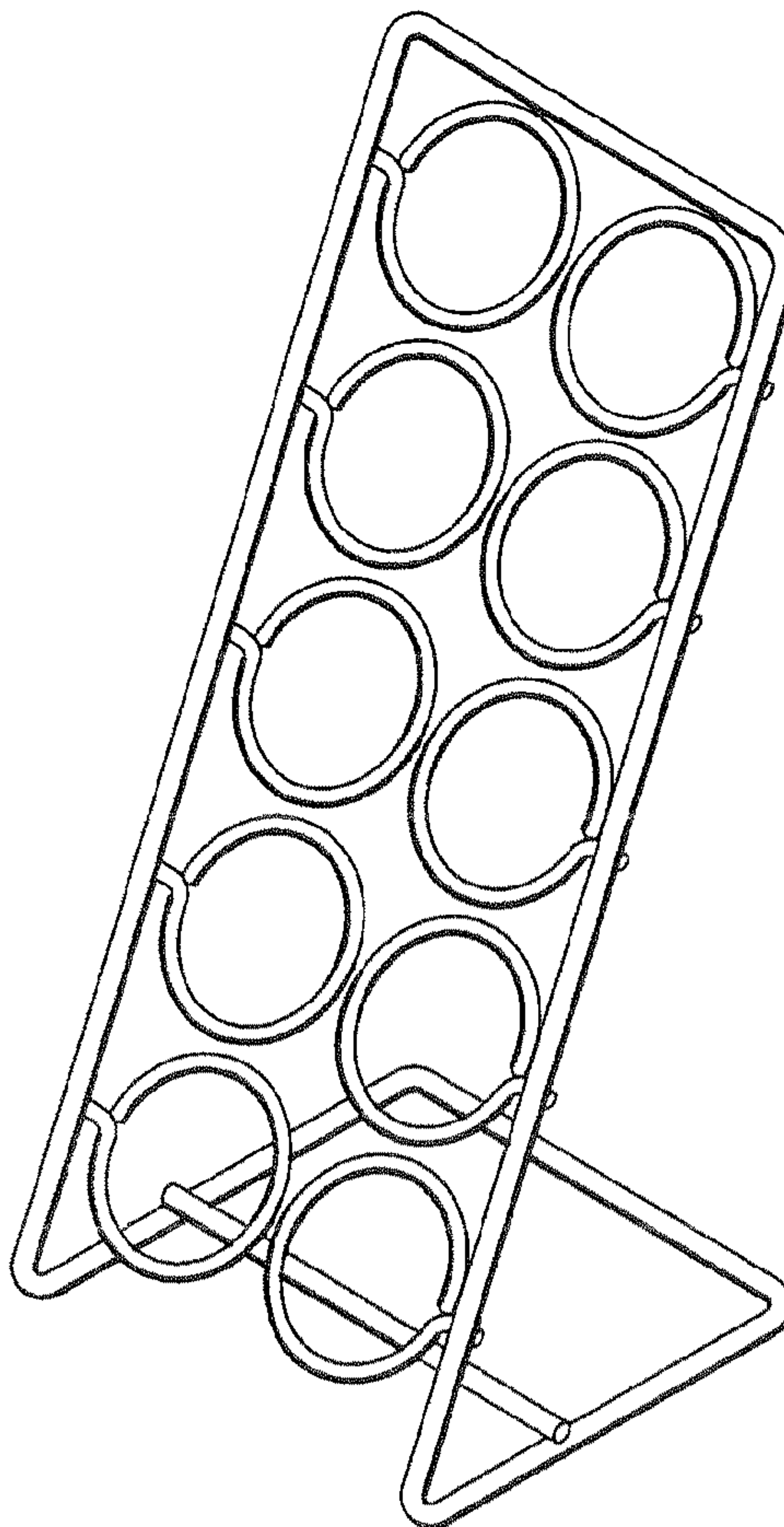
FIG. 3 is a front elevational view thereof;

FIG. 4 is a side elevational view thereof as viewed from the right side of FIG. 1 and, with the left side elevational view being a mirror image thereof;

FIG. 5 is a rear elevational view thereof; and,

FIG. 6 is a bottom plan view thereof.

1 Claim, 3 Drawing Sheets



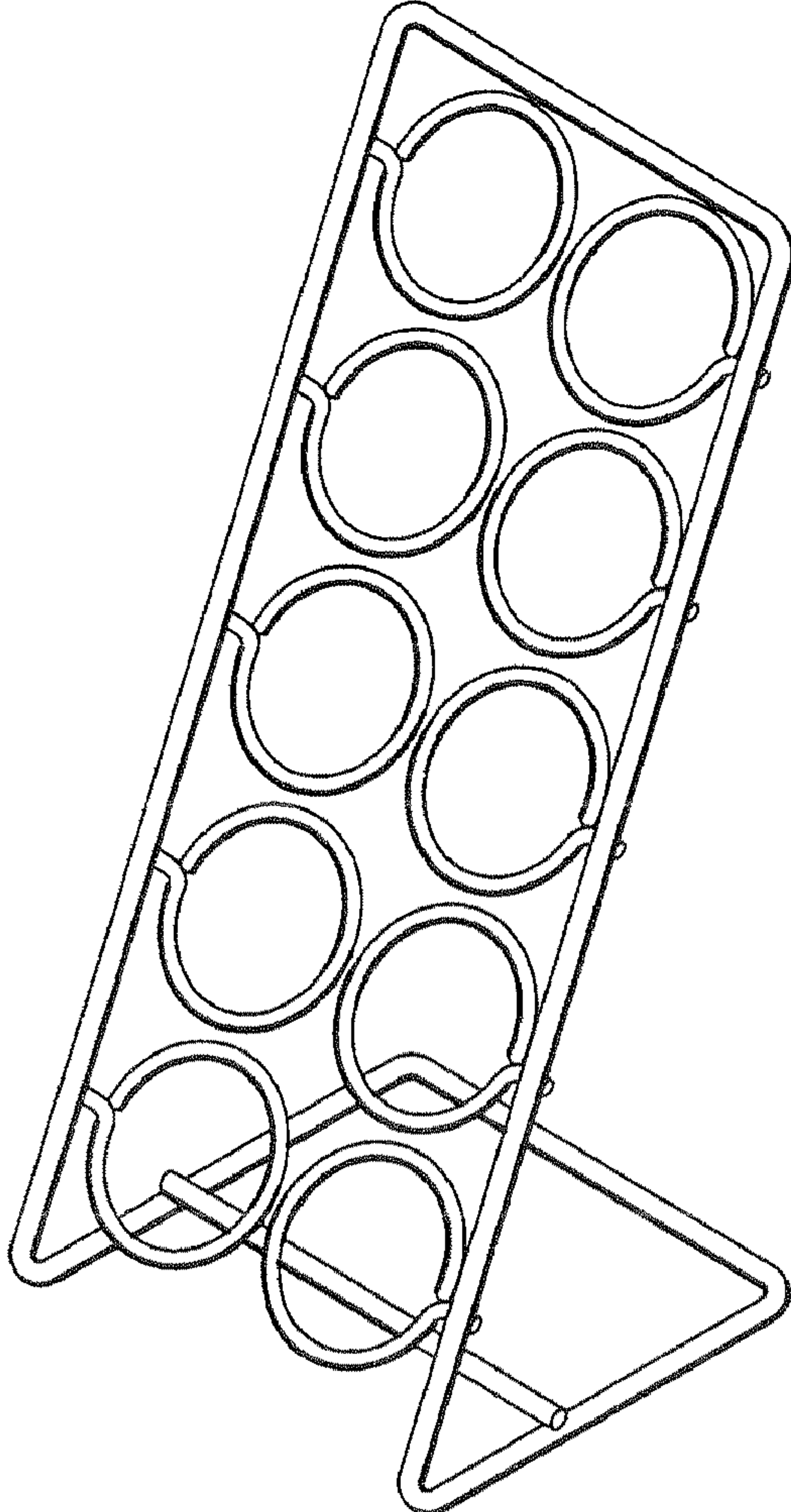


FIG. 1

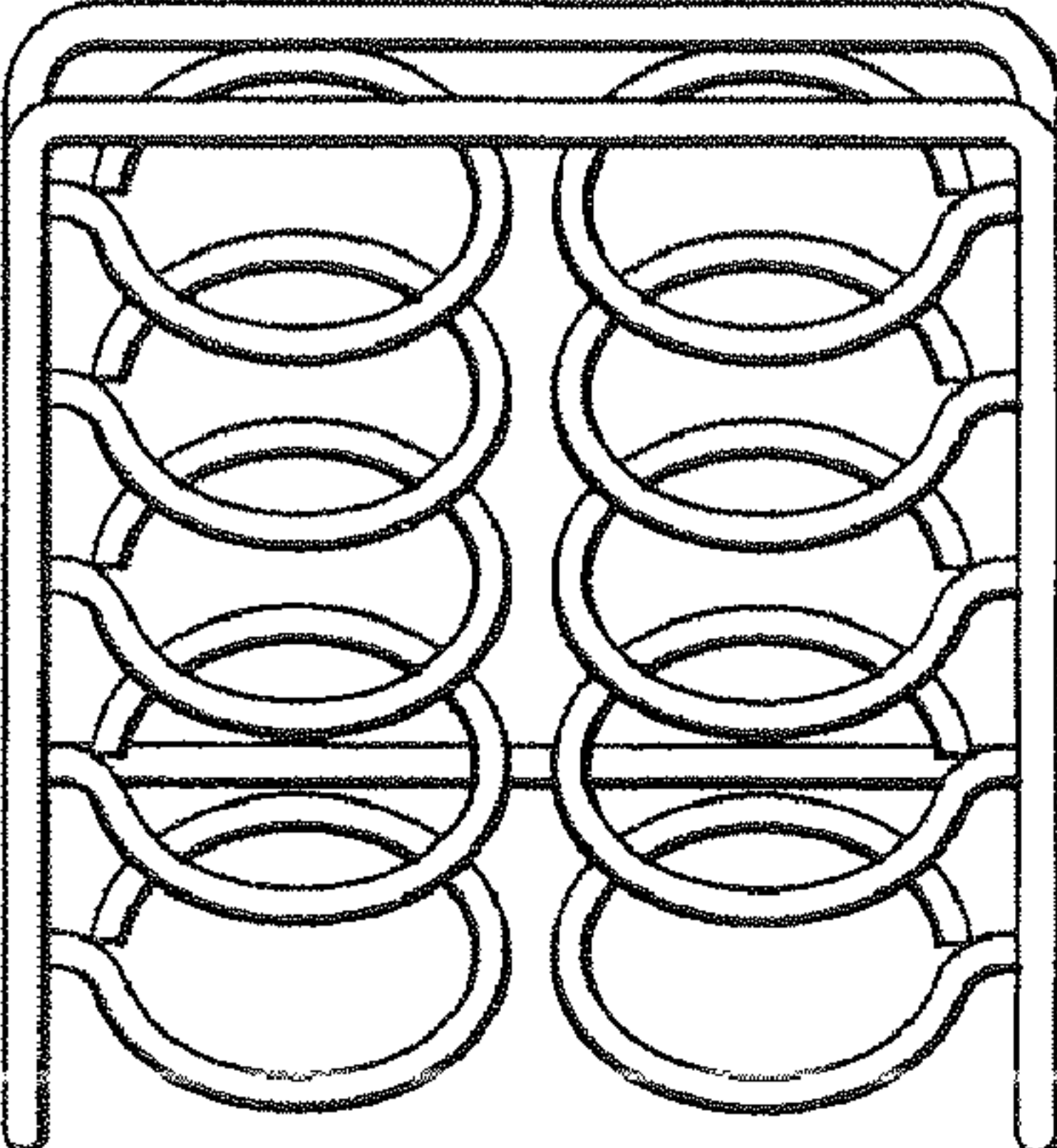


FIG. 2

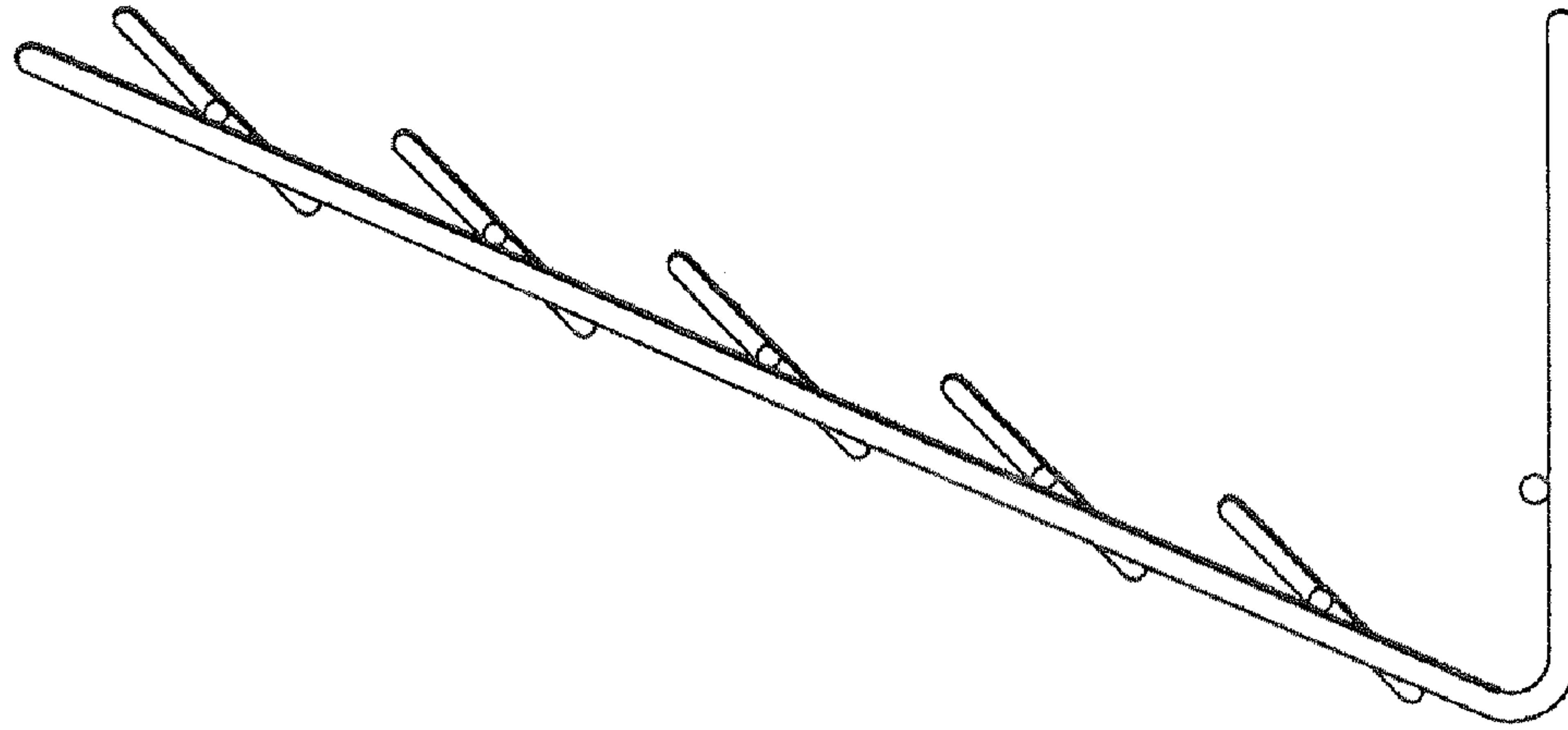


FIG. 4

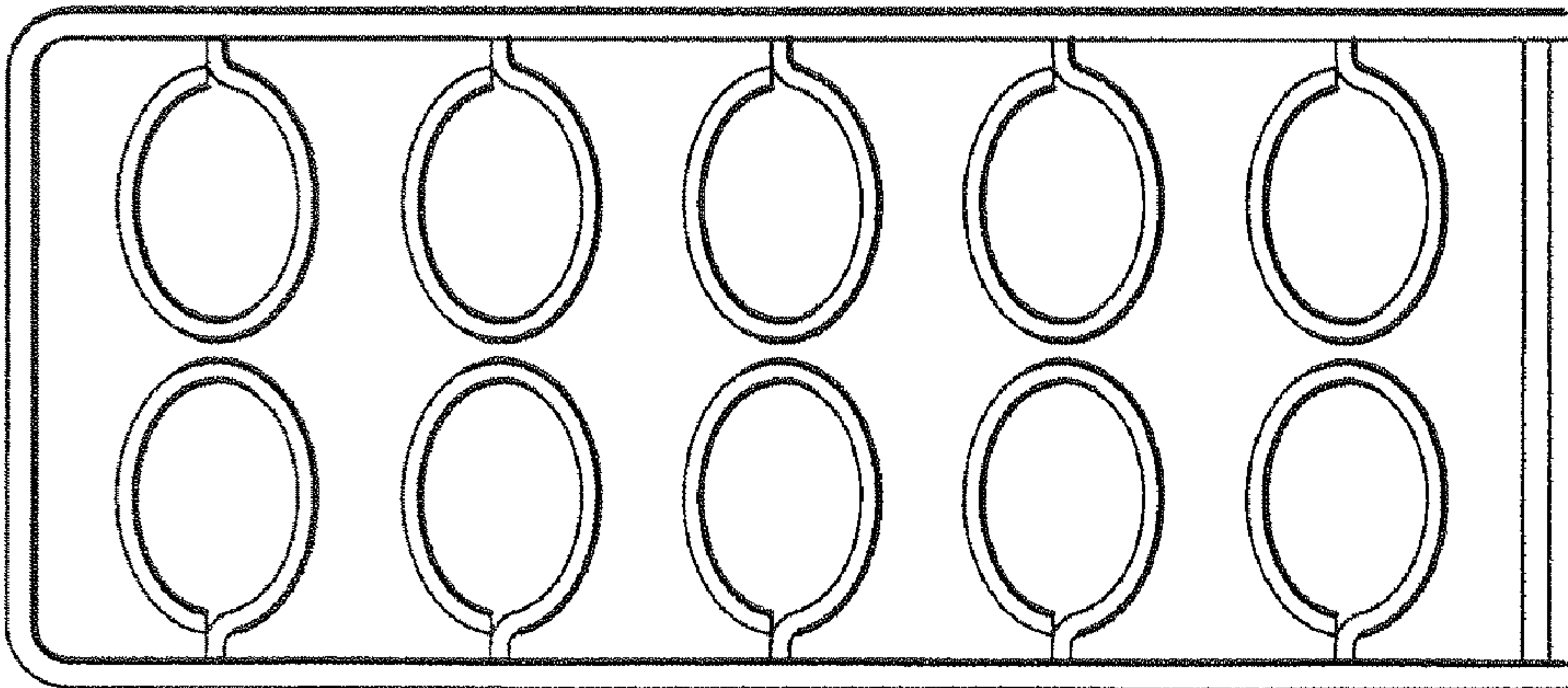


FIG. 3

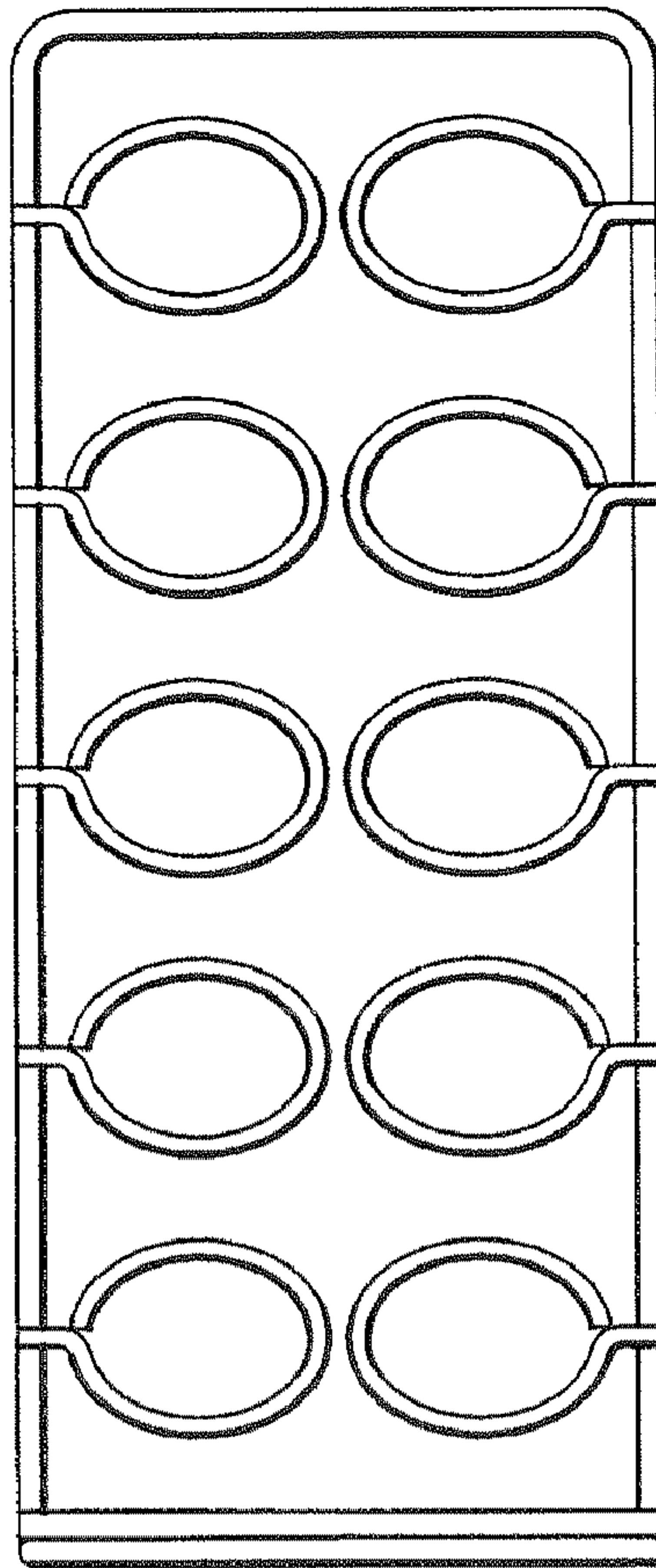


FIG. 5

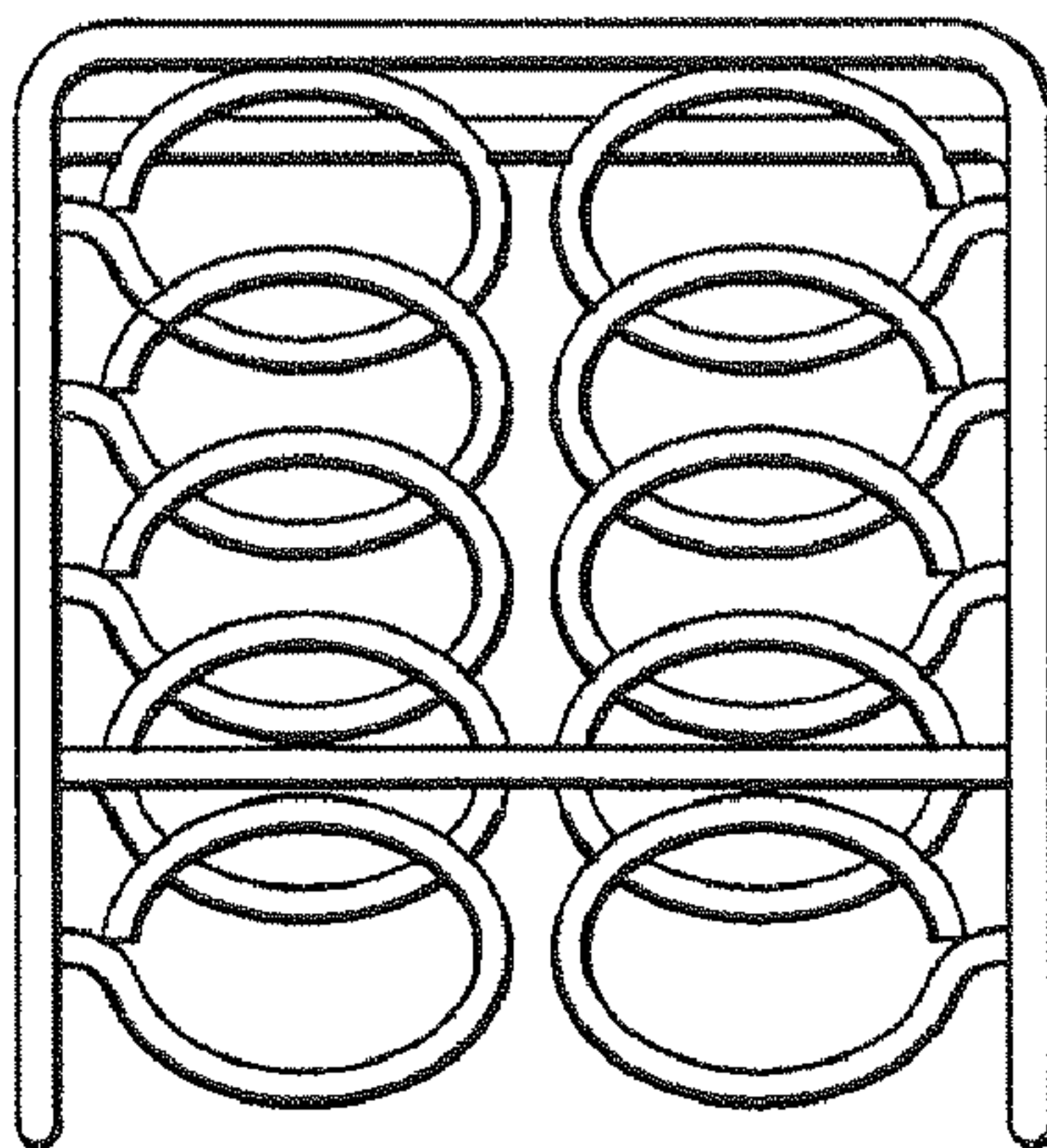


FIG. 6