



US00D620725S

(12) **United States Design Patent**  
**Adriaansen et al.**

(10) **Patent No.:** **US D620,725 S**  
(45) **Date of Patent:** **\*\* Aug. 3, 2010**

(54) **KIOSK FOR THE ASSESSMENT OF  
BEHAVIORAL AND NEUROLOGICAL  
DISORDERS**

D552,875 S \* 10/2007 Collins et al. .... D6/396  
D559,007 S \* 1/2008 Ruffing et al. .... D6/396  
D580,428 S \* 11/2008 Giugiaro .... D14/307

(75) Inventors: **David Adriaansen**, Boston, MA (US);  
**Mark Baerenrodt**, Milford, NH (US);  
**Nikolaos Fourligas**, Cambridge, MA  
(US); **Kenneth W. Hoadley**, Acton, MA  
(US); **Eric B. Gordon**, Alton, NH (US)

\* cited by examiner

*Primary Examiner*—Elizabeth A Albert  
*Assistant Examiner*—Kelley A Donnelly  
(74) *Attorney, Agent, or Firm*—Wilmer Cutler Pickering Hale  
and Dorr LLP

(73) Assignee: **BioBehavioral Diagnostics Company**,  
Cambridge, MA (US)

(57) **CLAIM**

(\*\*) Term: **14 Years**

The ornamental design for a kiosk for the assessment of  
behavioral and neurological disorders, as shown and  
described.

(21) Appl. No.: **29/325,974**

(22) Filed: **Oct. 9, 2008**

**DESCRIPTION**

(51) **LOC (9) Cl.** ..... **06-02**

(52) **U.S. Cl.** ..... **D6/396**

(58) **Field of Classification Search** ..... D6/396–397,  
D6/421, 425, 432; D14/307, 451, 302, 371;  
D20/10; 312/211–212, 215; 194/205–206

FIG. 1 is a perspective view of a kiosk for the assessment of  
behavioral and neurological disorders showing our new  
design;

FIG. 2 is an top view thereof;

FIG. 3 is a front view thereof;

FIG. 4 is a back view thereof;

FIG. 5 is a bottom view thereof;

FIG. 6 is a right side view thereof; and,

FIG. 7 is a left side view thereof.

See application file for complete search history.

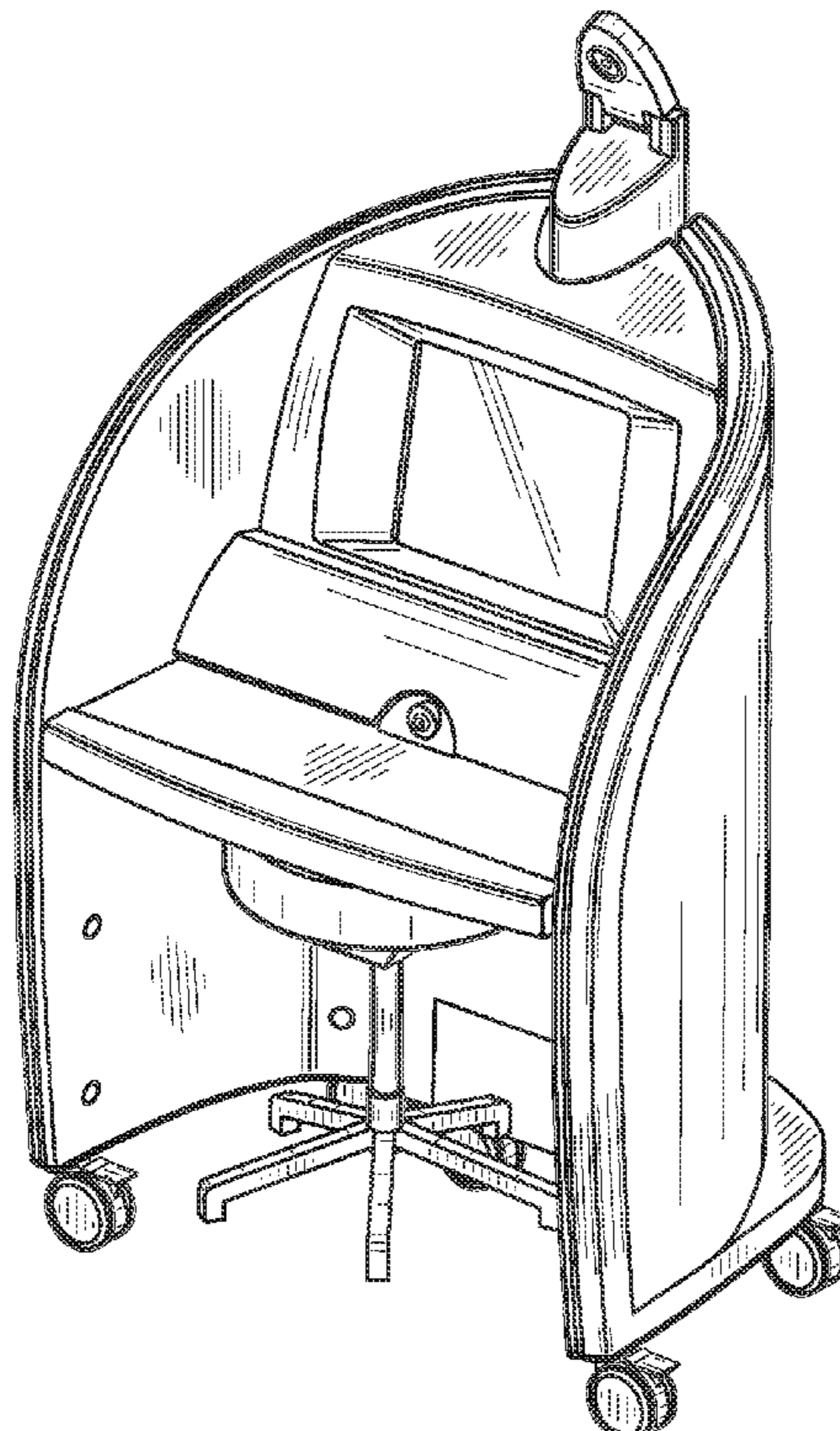
The broken lines are used to illustrate environmental pur-  
poses only and form no part of the claimed design.

(56) **References Cited**

**U.S. PATENT DOCUMENTS**

D384,832 S \* 10/1997 Senturia et al. .... D6/397  
D404,816 S \* 1/1999 Tsuan ..... D24/186  
D501,557 S \* 2/2005 Collins et al. .... D24/186  
D516,064 S \* 2/2006 Becker et al. .... D14/307  
D533,176 S \* 12/2006 Becker et al. .... D14/307

**1 Claim, 4 Drawing Sheets**



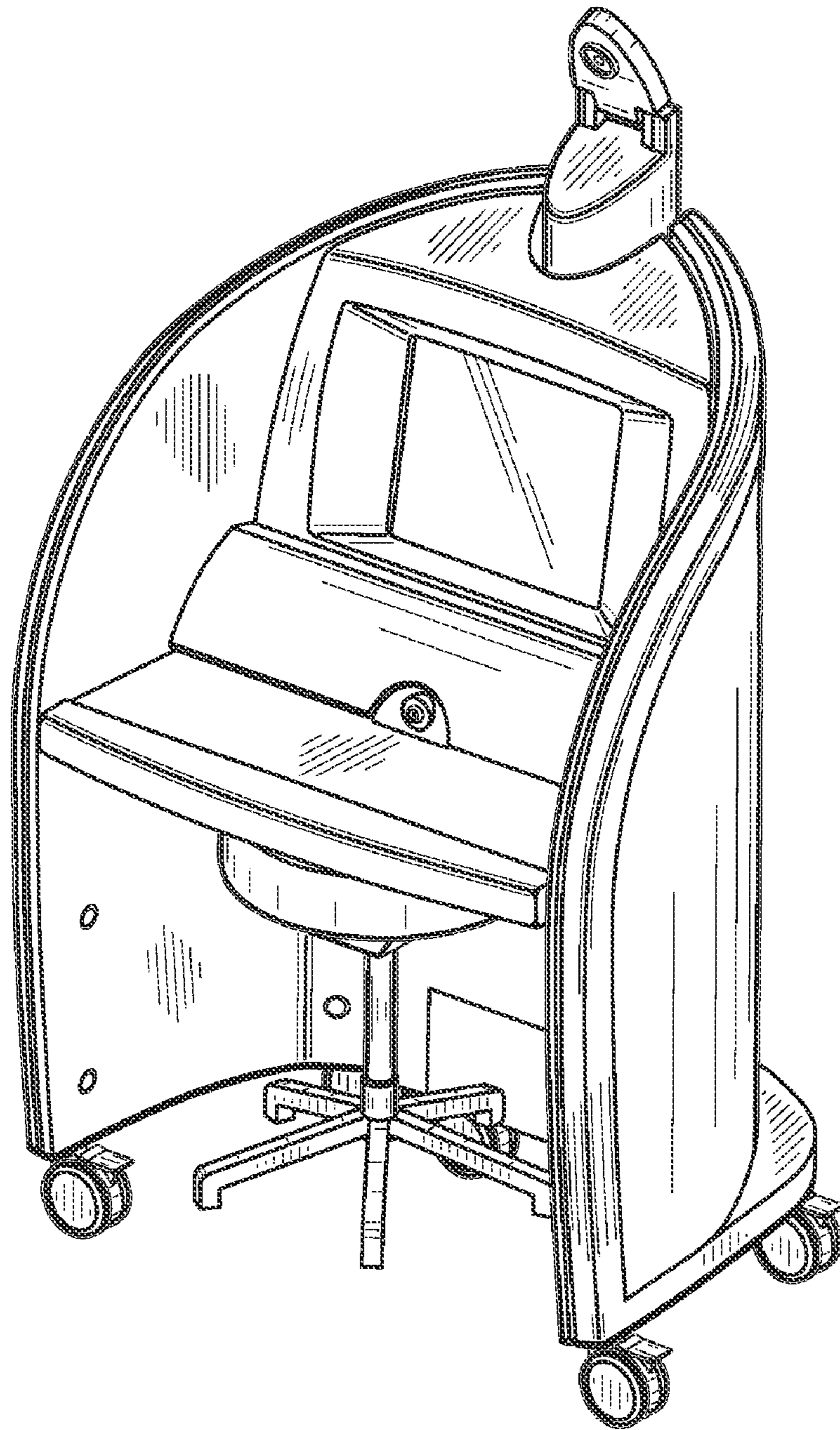


FIG. 1

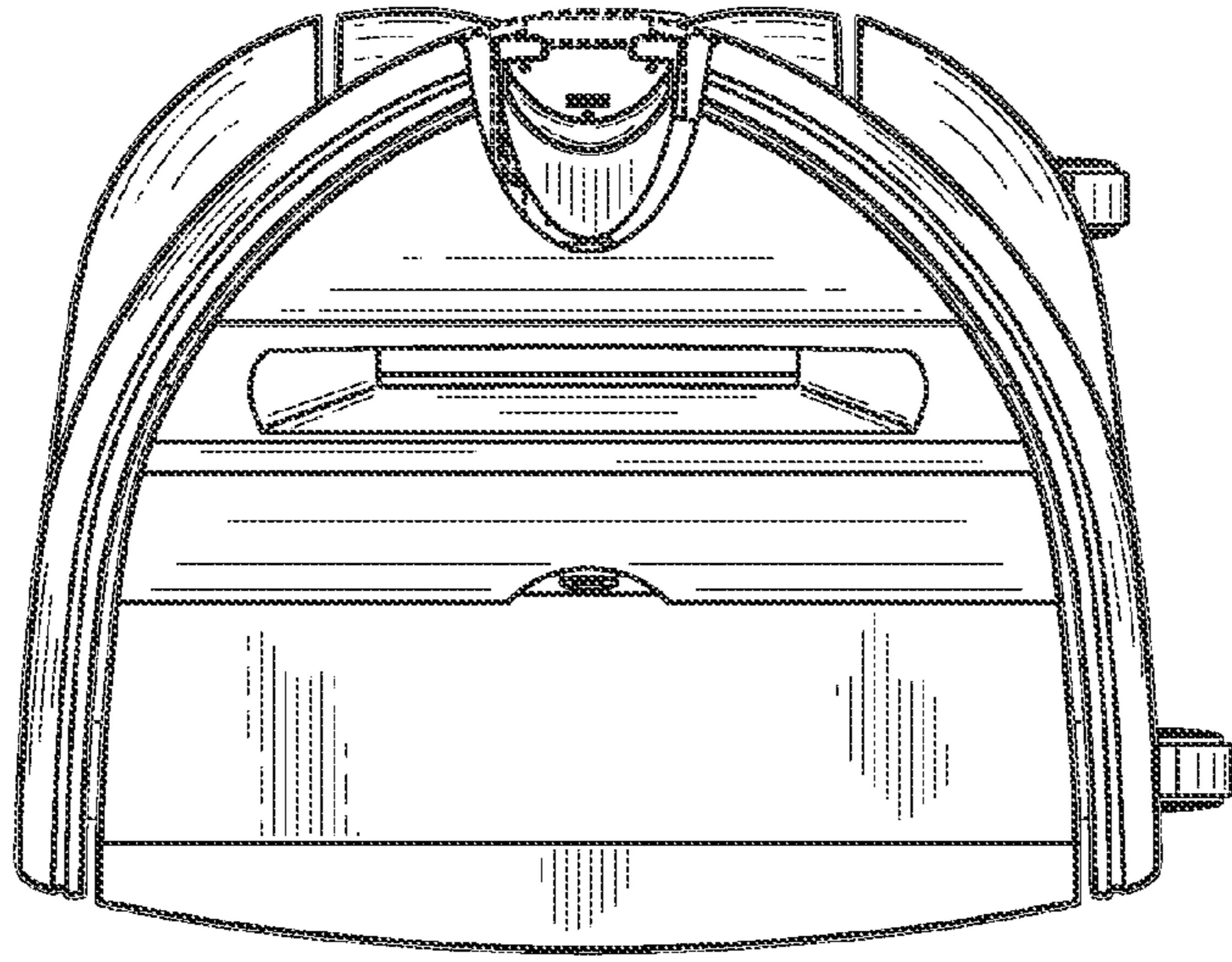


FIG. 2

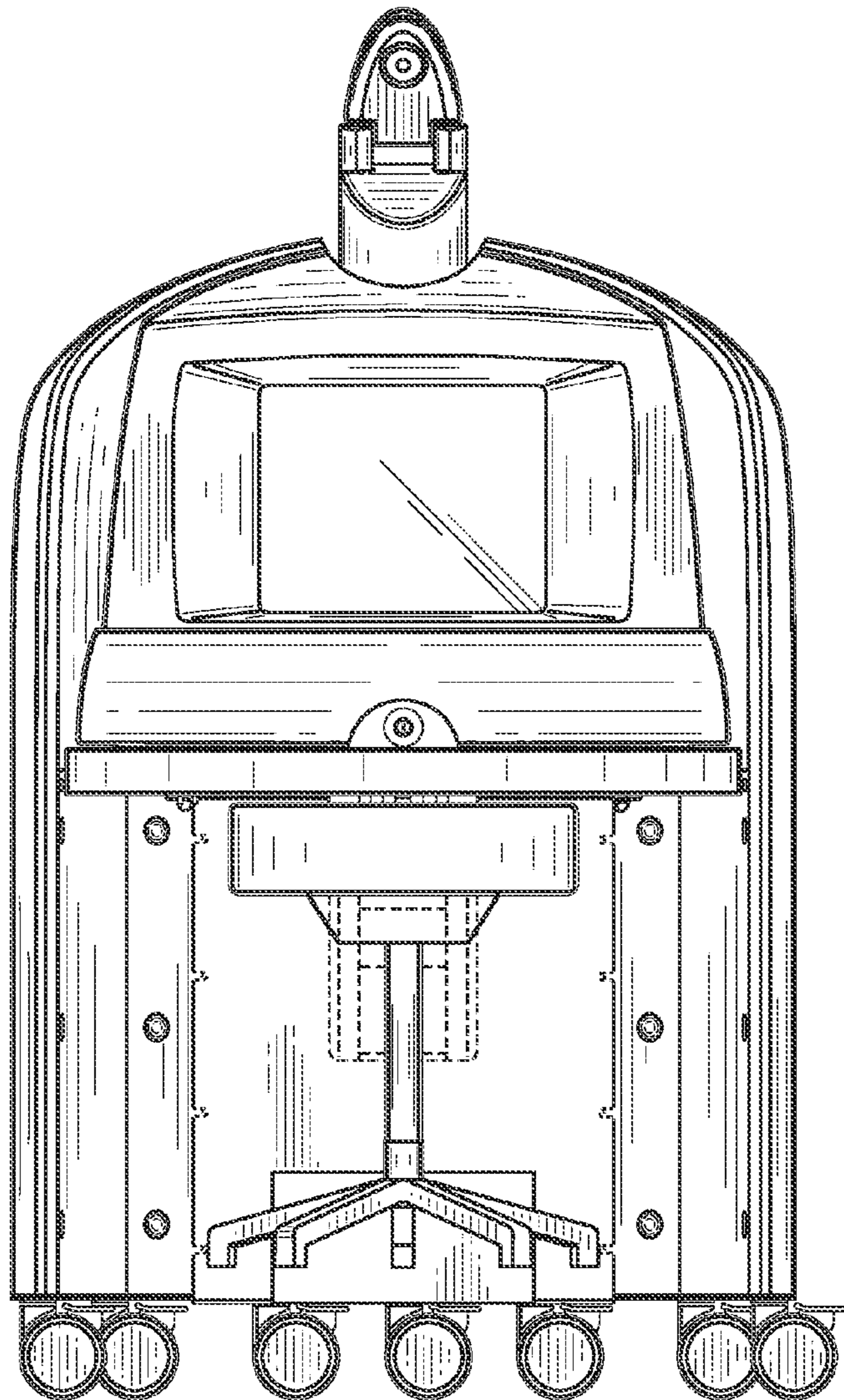


FIG. 3

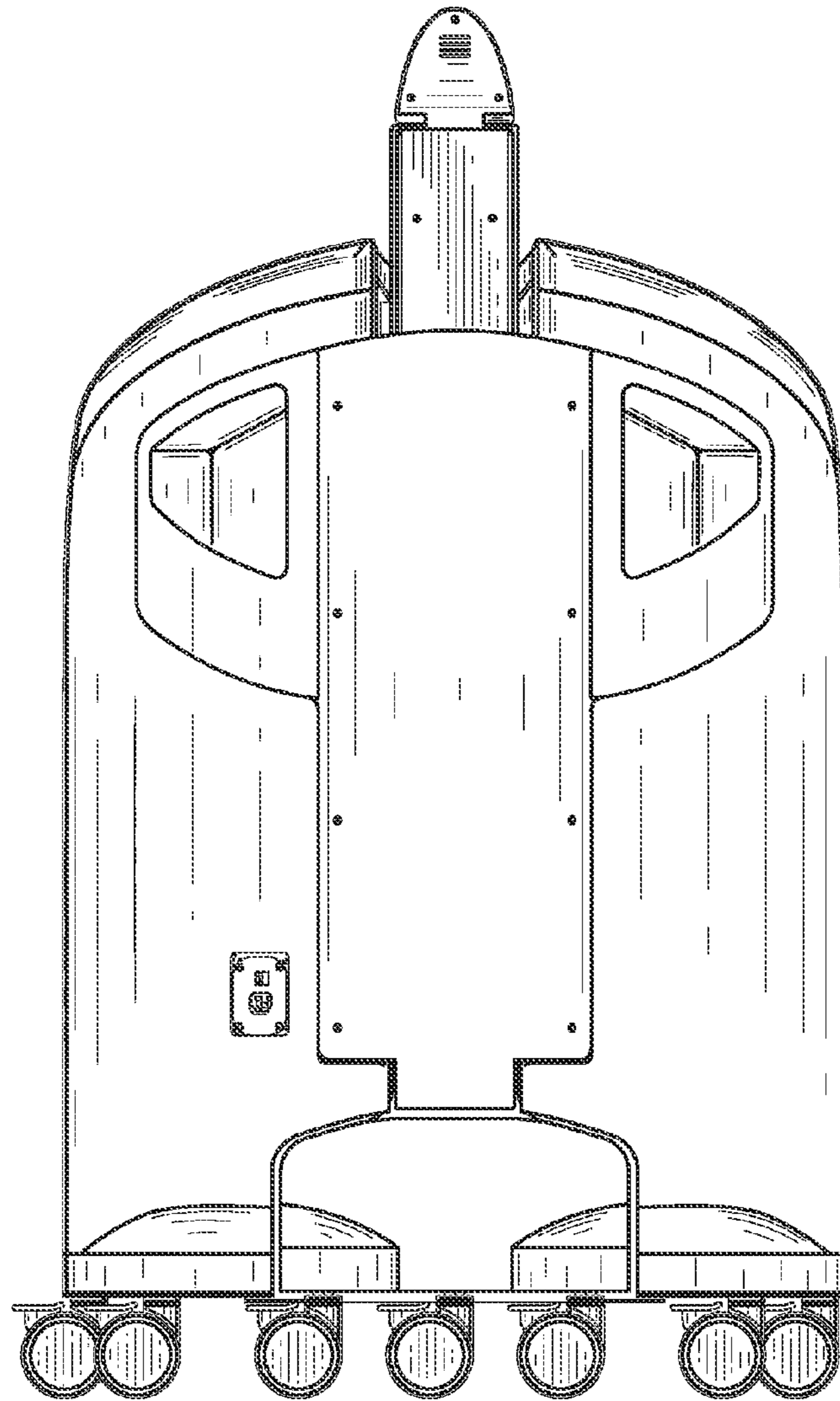


FIG. 4

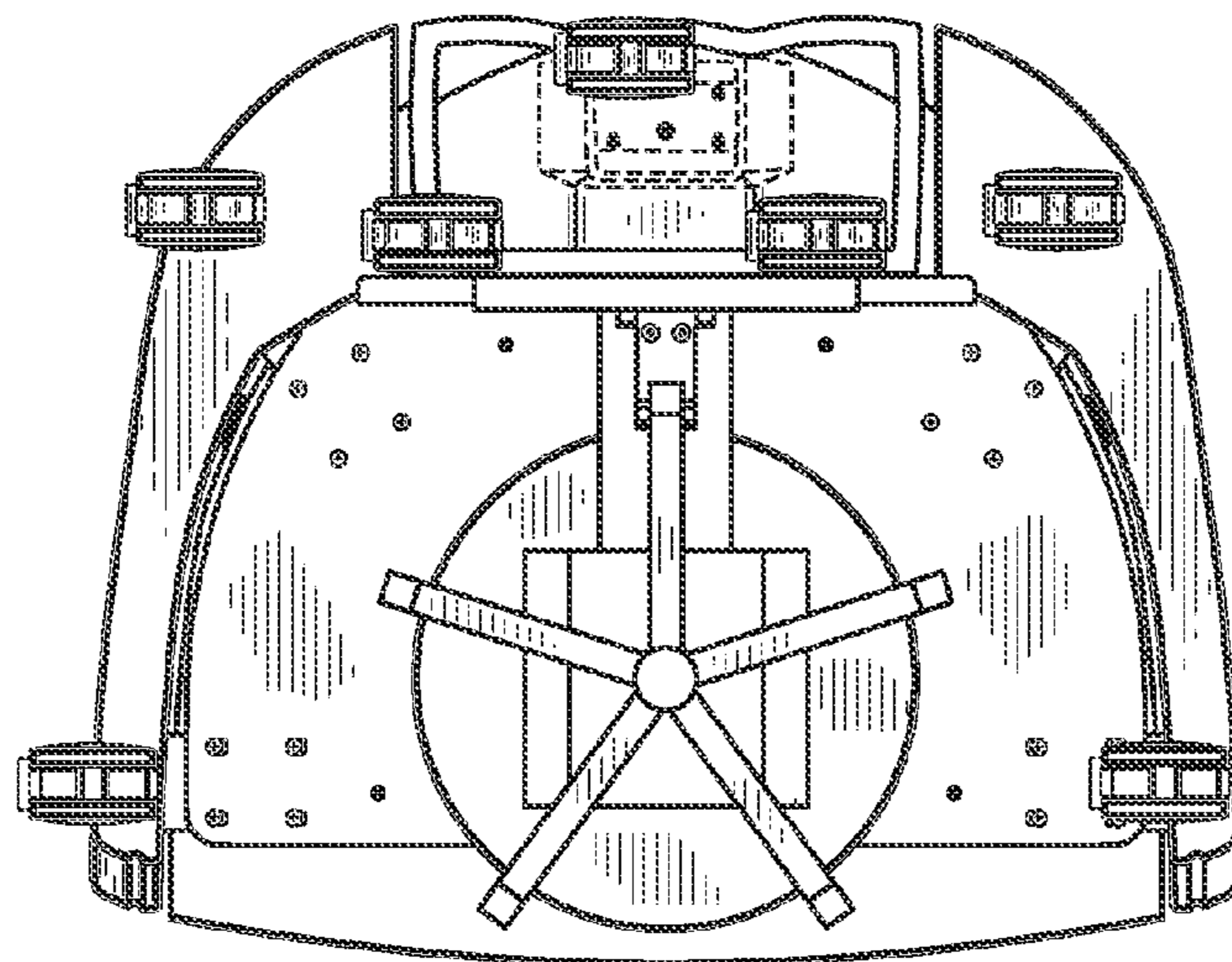


FIG. 5

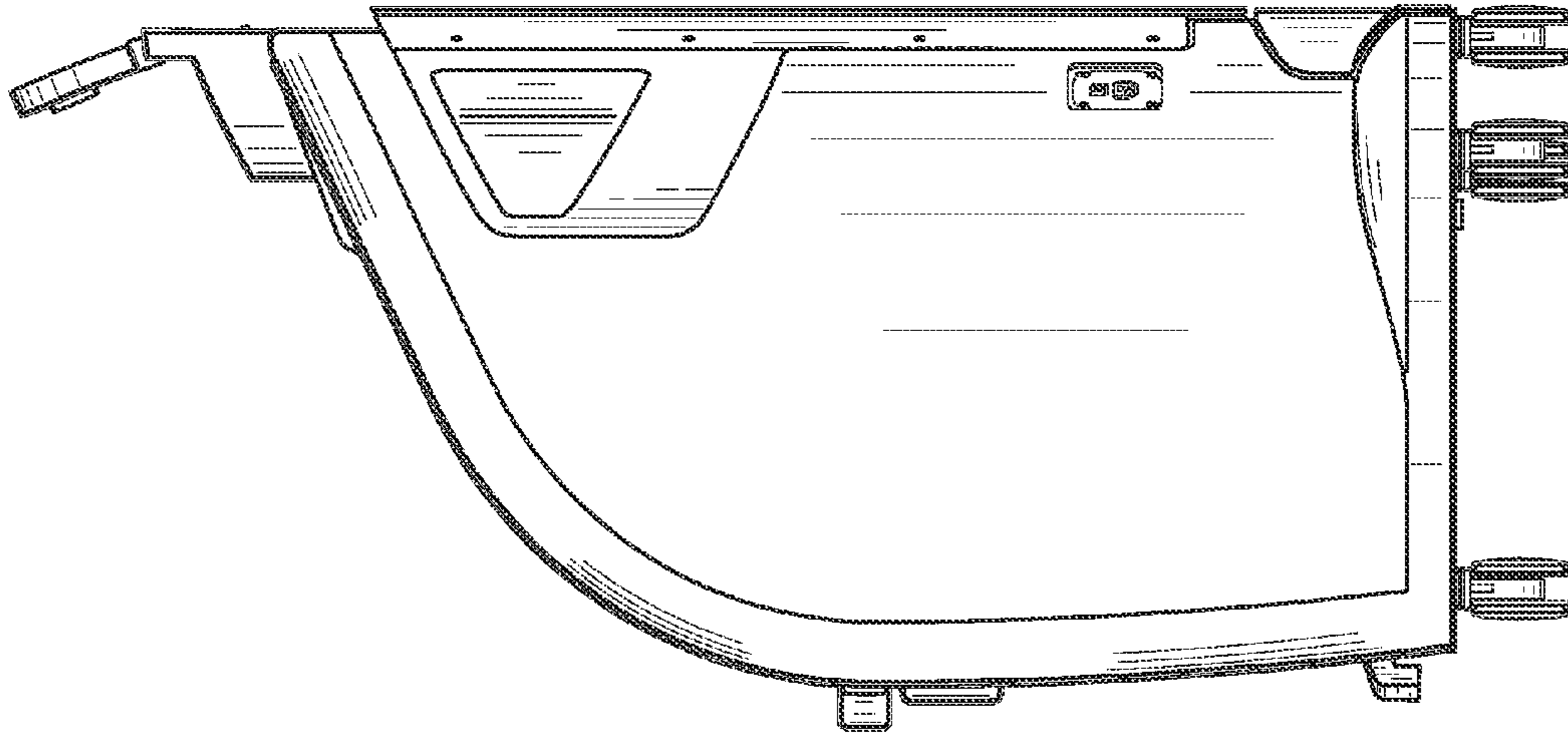


FIG. 7

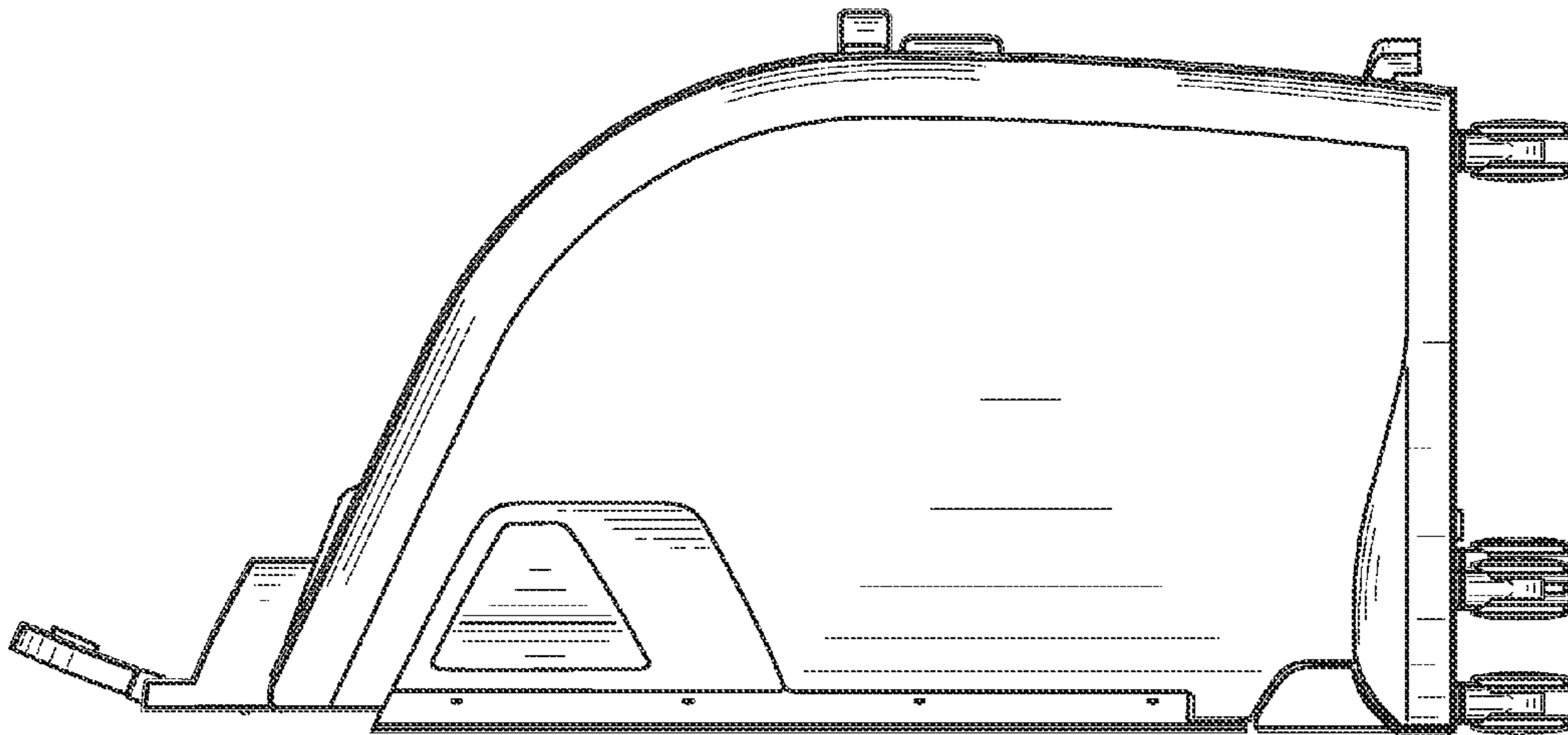


FIG. 6