



US00D620724S

(12) **United States Design Patent**  
**Presnell**

(10) **Patent No.:** **US D620,724 S**

(45) **Date of Patent:** **\*\* Aug. 3, 2010**

(54) **CHANGING STATION**

7,260,859 B2 \* 8/2007 Helmsderfer ..... 5/655

(75) Inventor: **Donald C. Presnell**, Stephens City, VA  
(US)

\* cited by examiner

*Primary Examiner*—Janice E Seeger

(74) *Attorney, Agent, or Firm*—Foley & Lardner LLP

(73) Assignee: **Rubbermaid Commercial Products**  
**LLC**, Winchester, VA (US)

(57) **CLAIM**

(\*\*) Term: **14 Years**

I claim the ornamental design for a changing station, as shown and described.

(21) Appl. No.: **29/329,933**

**DESCRIPTION**

(22) Filed: **Dec. 23, 2008**

FIG. 1 is a top front perspective view of a changing station according to my new design;

(51) **LOC (9) Cl.** ..... **06-02**

(52) **U.S. Cl.** ..... **D6/391**

(58) **Field of Classification Search** ..... D6/390,  
D6/391, 331, 333; 5/93.1, 97, 98.1, 99.1,  
5/93.2, 947; D23/278

FIG. 2 is a front view of the changing station shown in FIG. 1;

FIG. 3 is a rear view of the changing station shown in FIG. 1;

FIG. 4 is a right side view of the changing station shown in FIG. 1;

FIG. 5 is a left side view of the changing station shown in FIG. 1;

FIG. 6 is a top view of the changing station shown in FIG. 1; and,

See application file for complete search history.

FIG. 7 is a bottom view of the changing station shown in FIG. 1.

The broken lines are for environmental purposes only and form no part of the claimed design.

(56) **References Cited**

**U.S. PATENT DOCUMENTS**

- 4,876,970 A \* 10/1989 Bolduc ..... 108/35
- D314,112 S \* 1/1991 Dainty ..... D6/555
- D326,384 S \* 5/1992 Burt et al. .... D6/555
- 6,055,688 A \* 5/2000 Helmsderfer et al. .... 5/655
- D523,655 S \* 6/2006 Giampavolo ..... D6/391

**1 Claim, 4 Drawing Sheets**

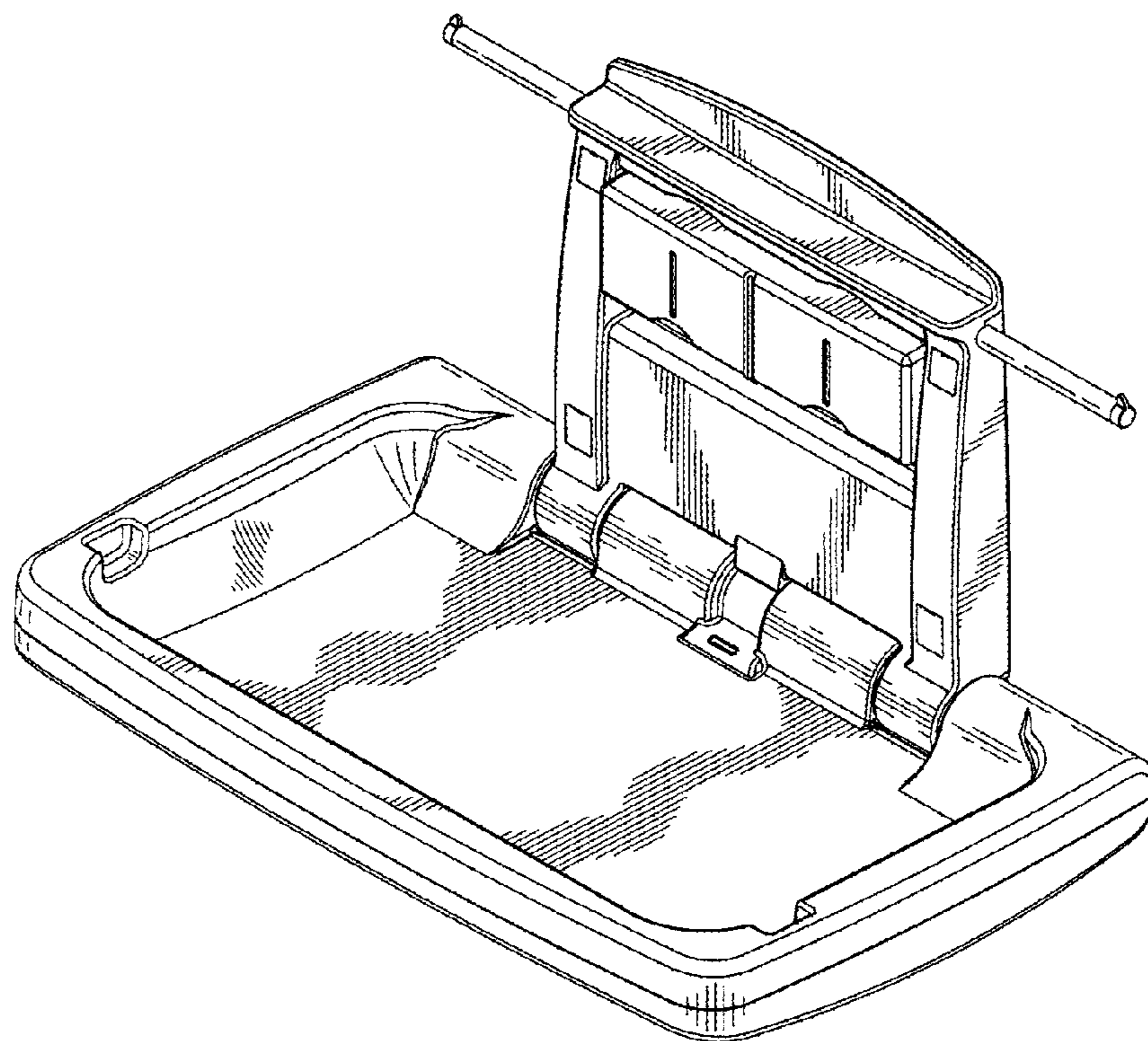


Fig. 1

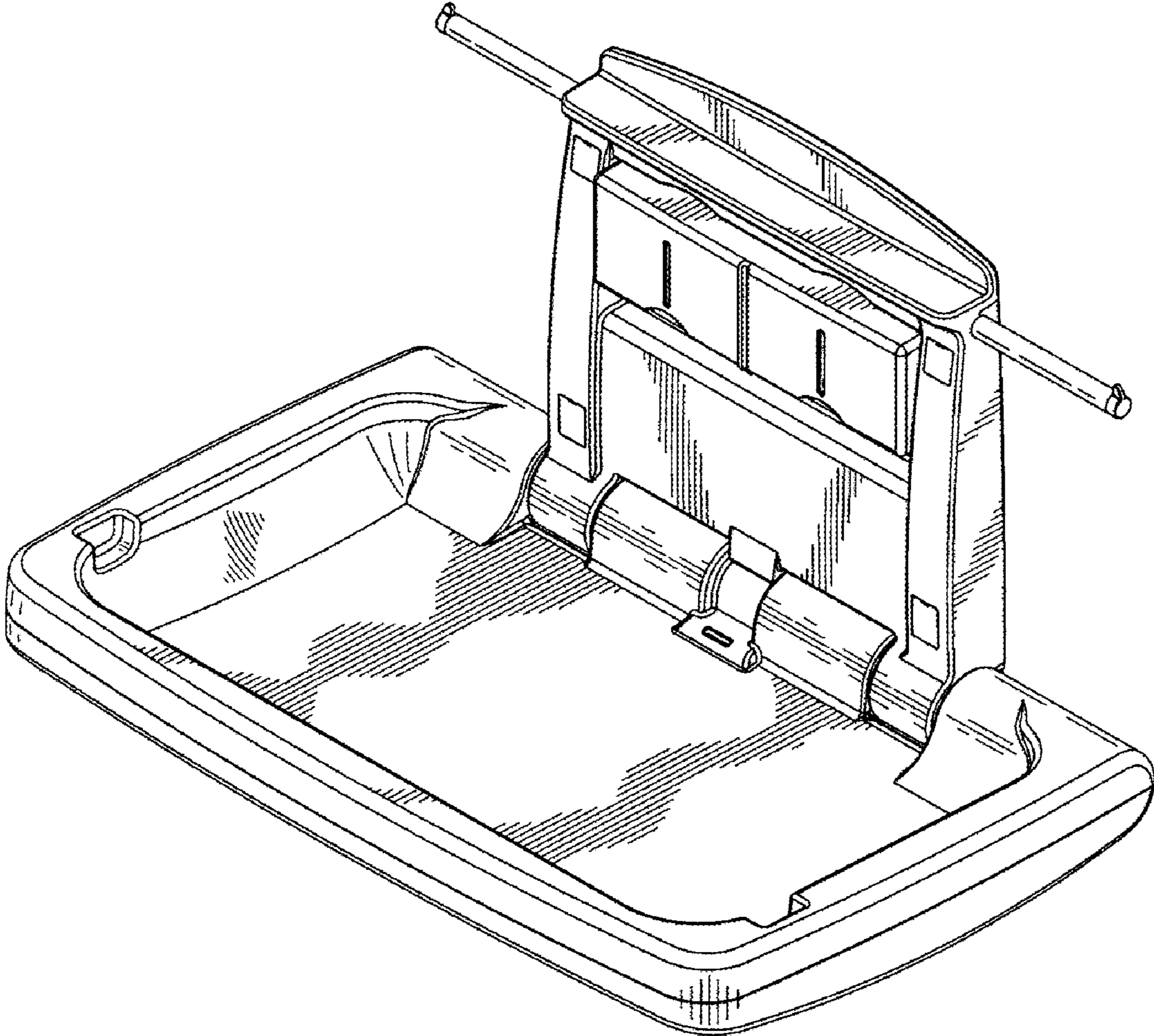


Fig. 2

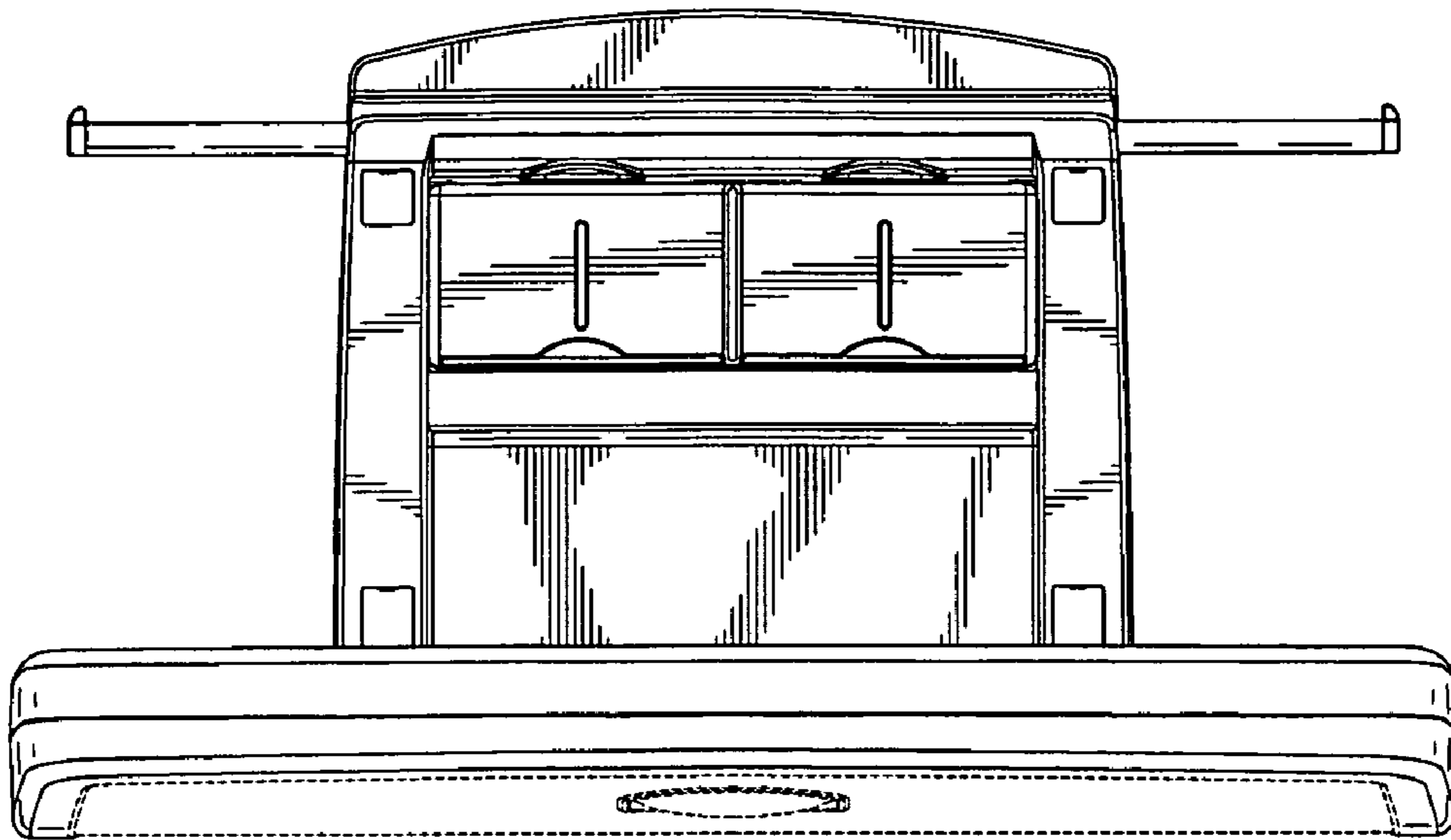


Fig. 3

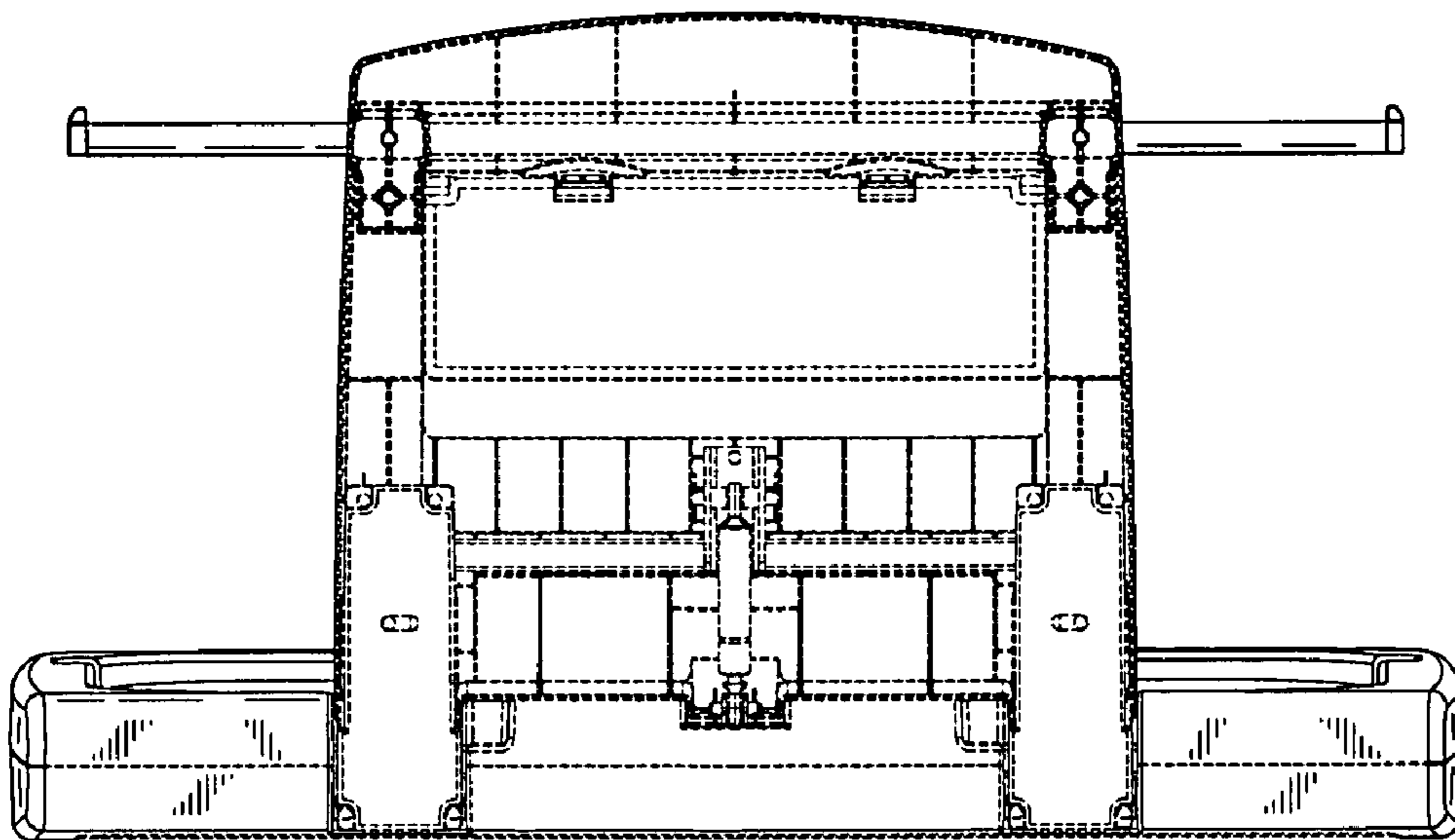


Fig. 4

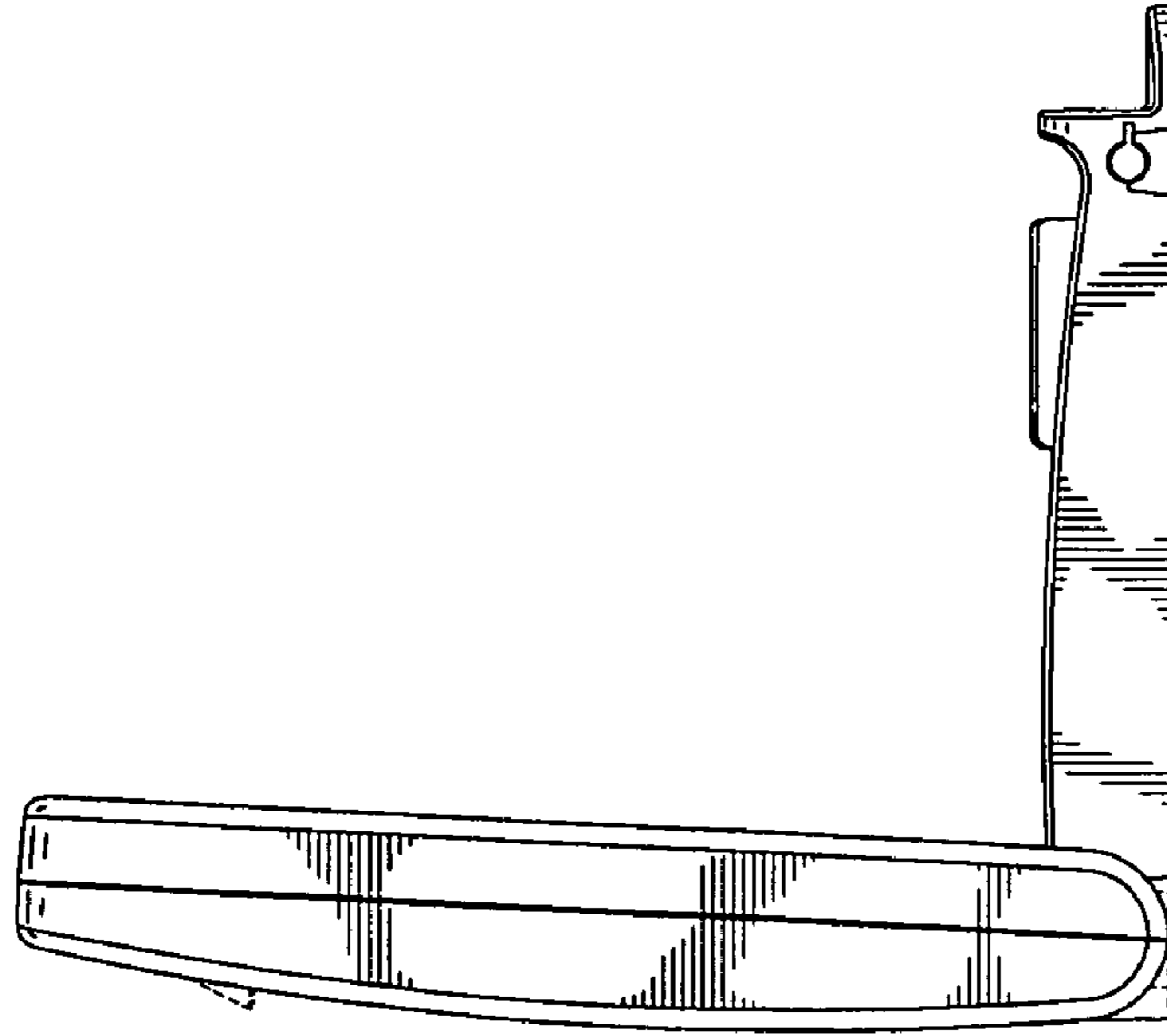


Fig. 5

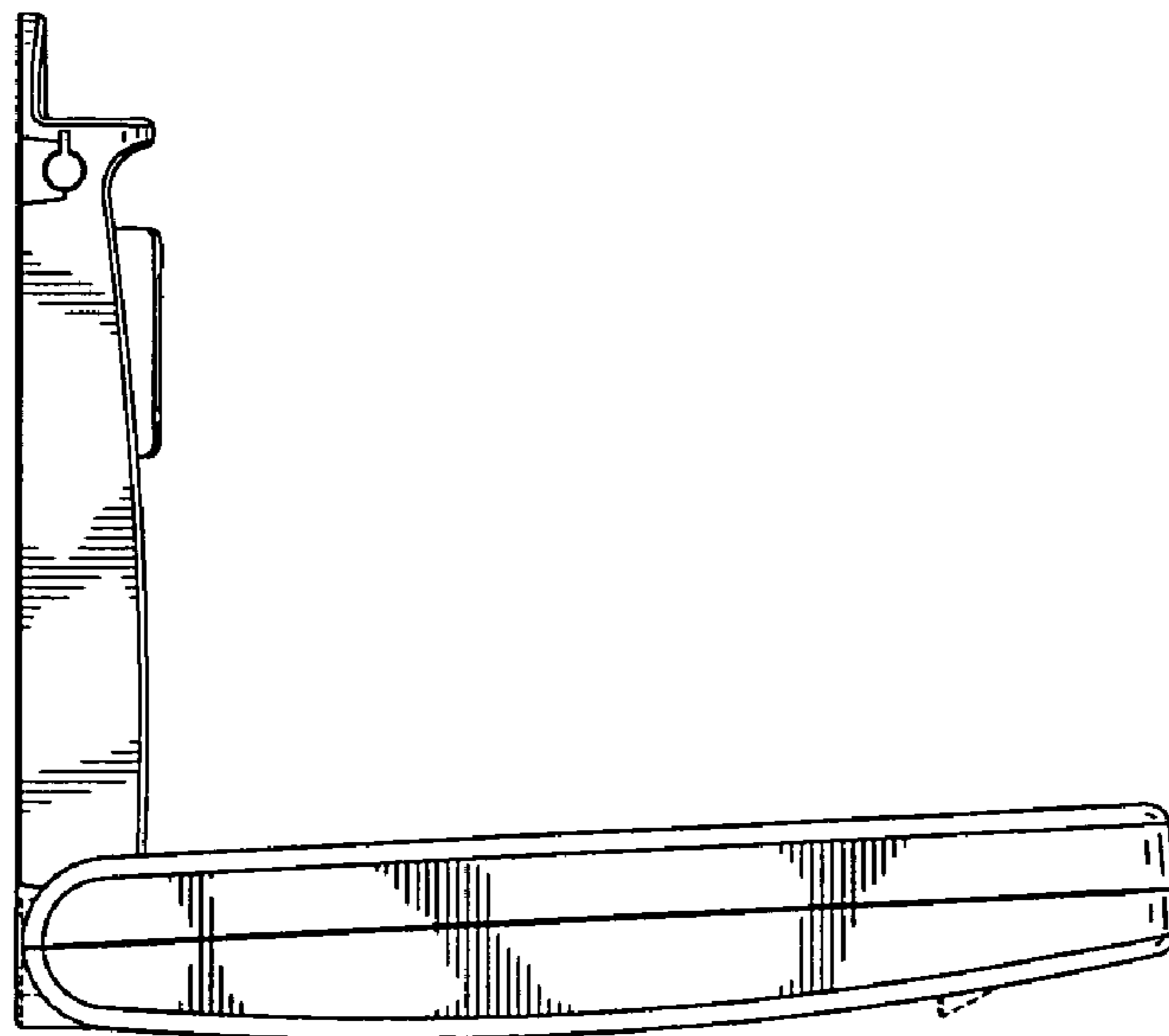




Fig. 6

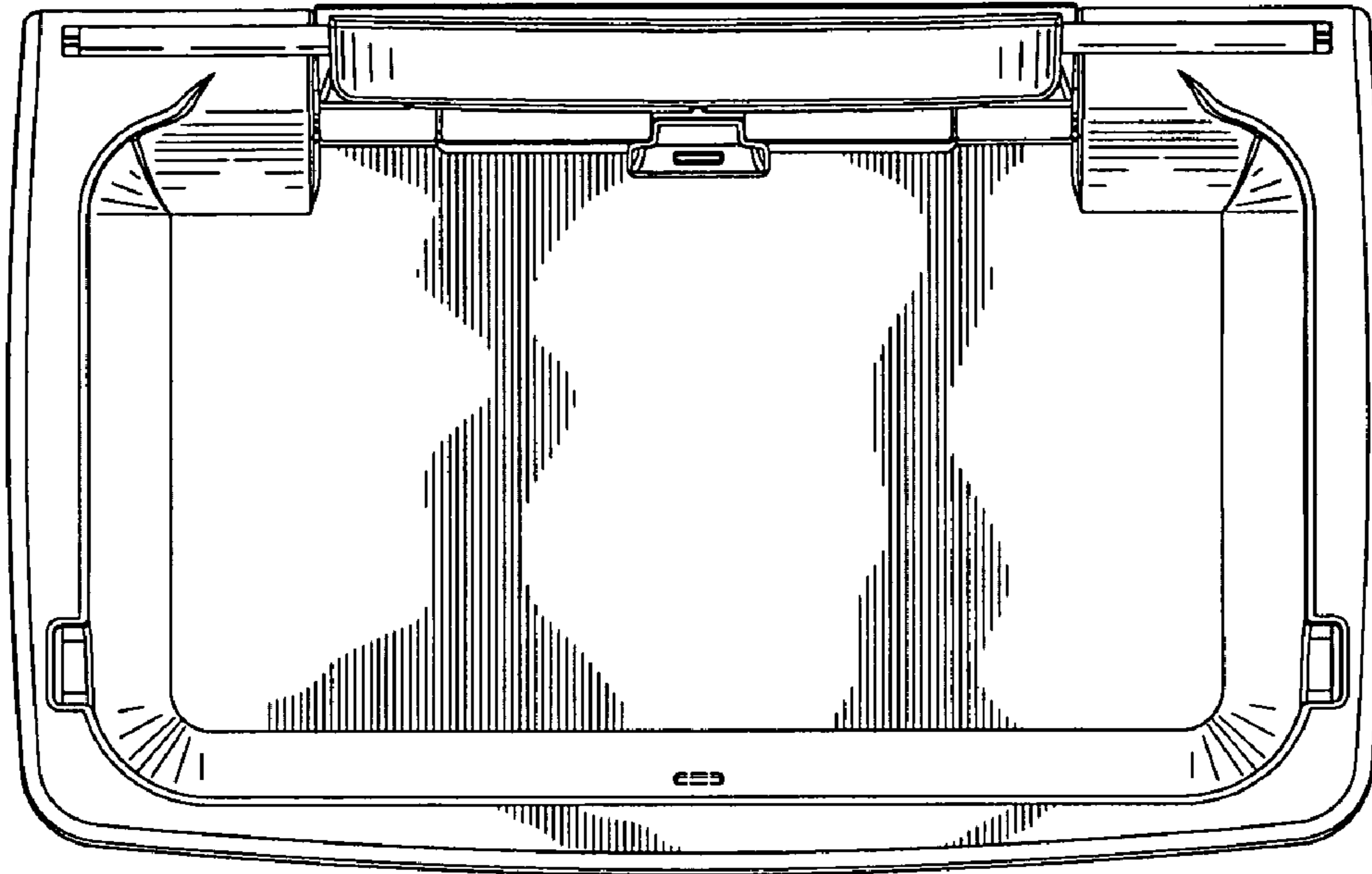


Fig. 7

