

US00D620723S

(12) **United States Design Patent**
Parson

(10) **Patent No.:** **US D620,723 S**

(45) **Date of Patent:** **** Aug. 3, 2010**

(54) **BENCH**

(76) **Inventor:** **Earl K. Parson**, 713 North Ave. 53, Los Angeles, CA (US) 90042

(**) **Term:** **14 Years**

(21) **Appl. No.:** **29/346,443**

(22) **Filed:** **Oct. 30, 2009**

(51) **LOC (9) Cl.** **06-01**

(52) **U.S. Cl.** **D6/381**

(58) **Field of Classification Search** D6/334,
D6/349, 355, 359, 369, 370, 371, 381-383,
D6/491, 492, 500-503, 374; 297/94, 181,
297/233, 234, 235, 283.2, 311, 351, 353,
297/354.1, 354.12, 354.13, 445.1, 451.1,
297/451.8, 451.9; 5/12.1, 12.2

See application file for complete search history.

(56) **References Cited**

U.S. PATENT DOCUMENTS

D473,724 S * 4/2003 Hans De Wit D6/336
D518,301 S * 4/2006 Ng et al. D6/335
D560,922 S * 2/2008 Rope D6/388

* cited by examiner

Primary Examiner—Sandra Snapp

(74) *Attorney, Agent, or Firm*—Milstein Zhang & Wu LLC;
Joseph B. Milstein

(57) **CLAIM**

The ornamental design for a bench, as shown and described.

DESCRIPTION

This application is related to co-pending U.S. design patent application Ser. No. 29/346,430, entitled “Chair”, filed on Oct. 30, 2009, which application is incorporated herein by reference in its entirety.

FIG. 1 shows a front three-quarter perspective view of a bench, showing a new Design;

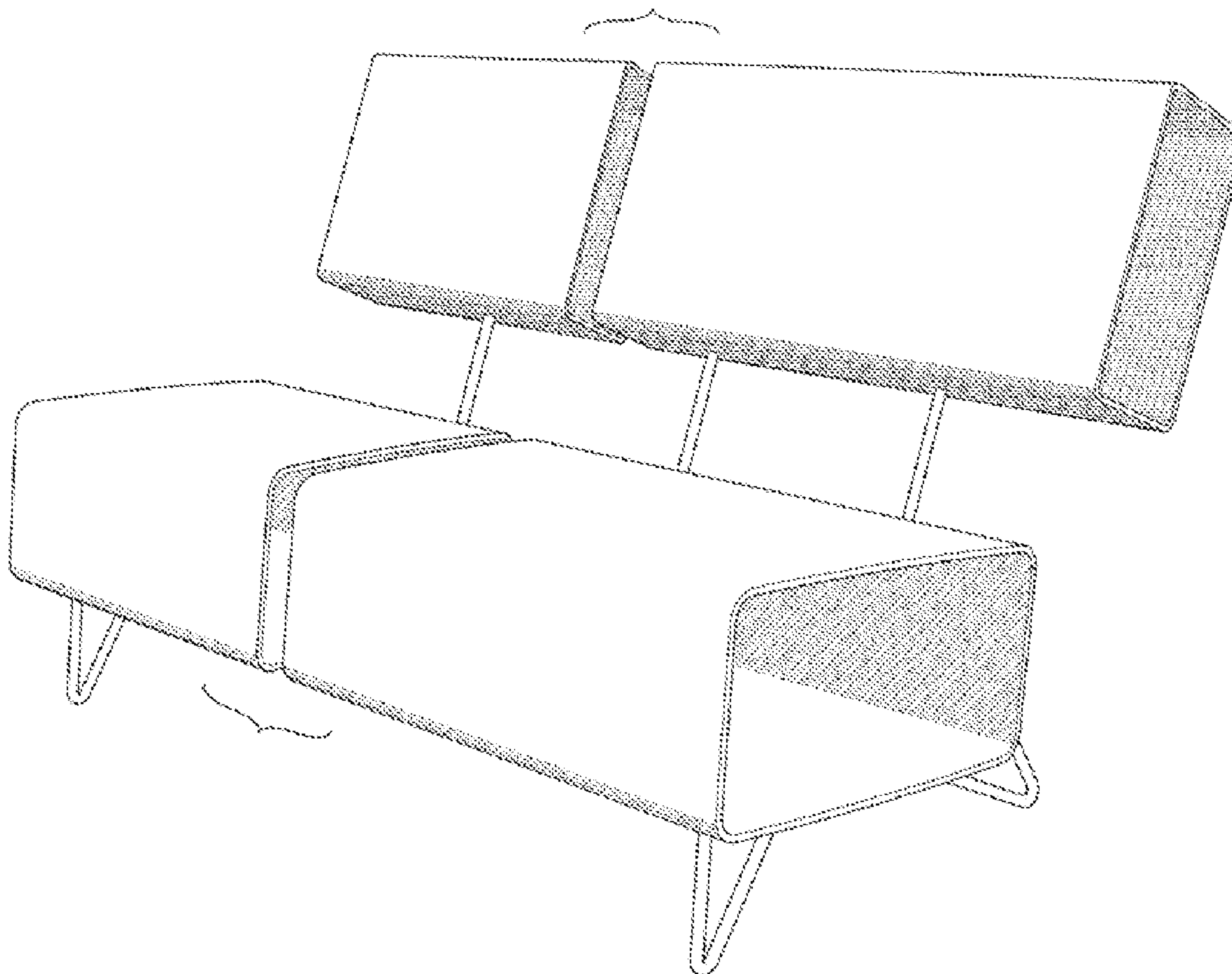
FIG. 2 shows a perspective view from the right side thereof;

FIG. 3 shows a perspective view from the left side thereof; and,

FIG. 4 shows a rear three-quarter view thereof.

The broken away portion shown in the drawings is understood to represent varying width.

1 Claim, 2 Drawing Sheets



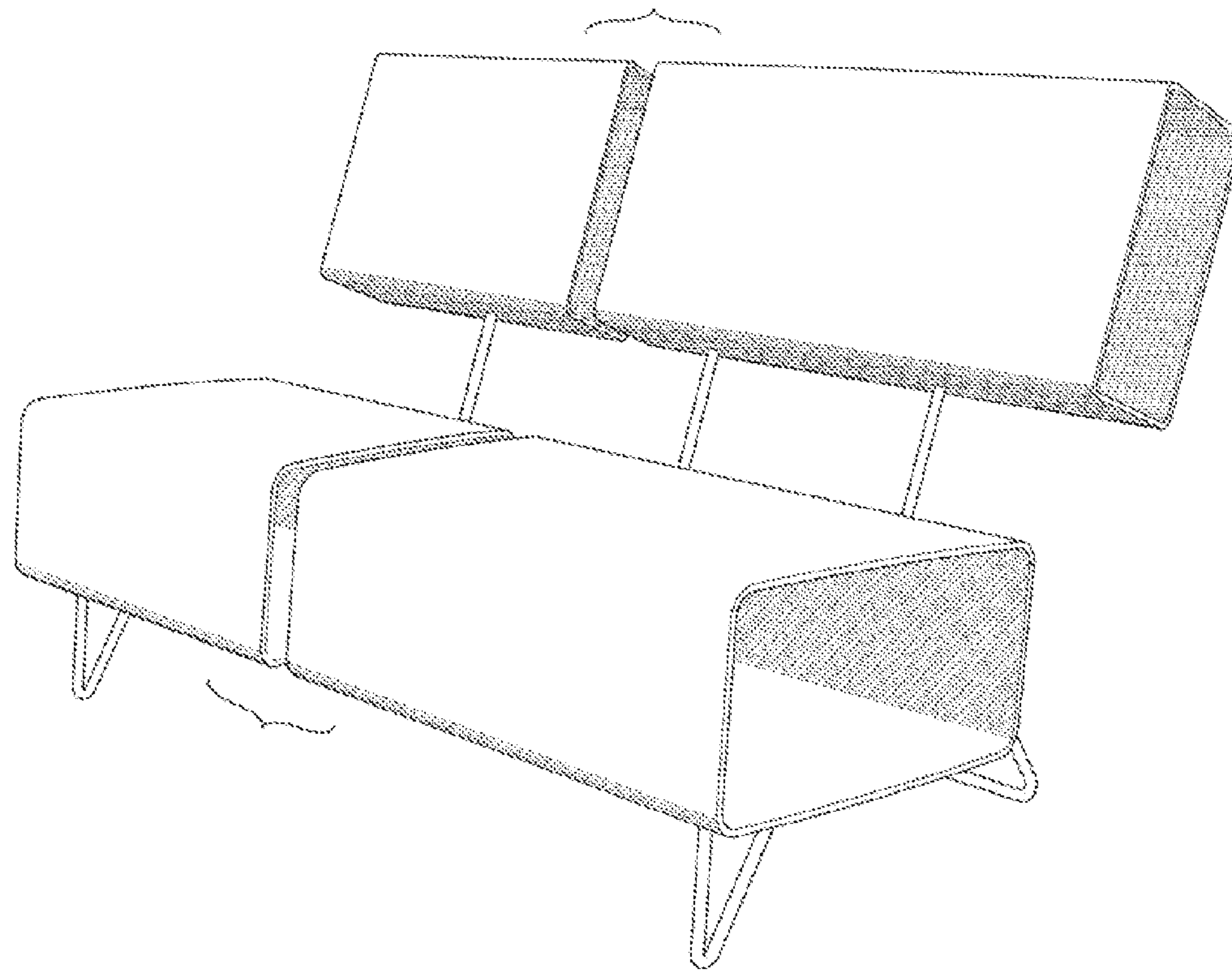


FIG. 1

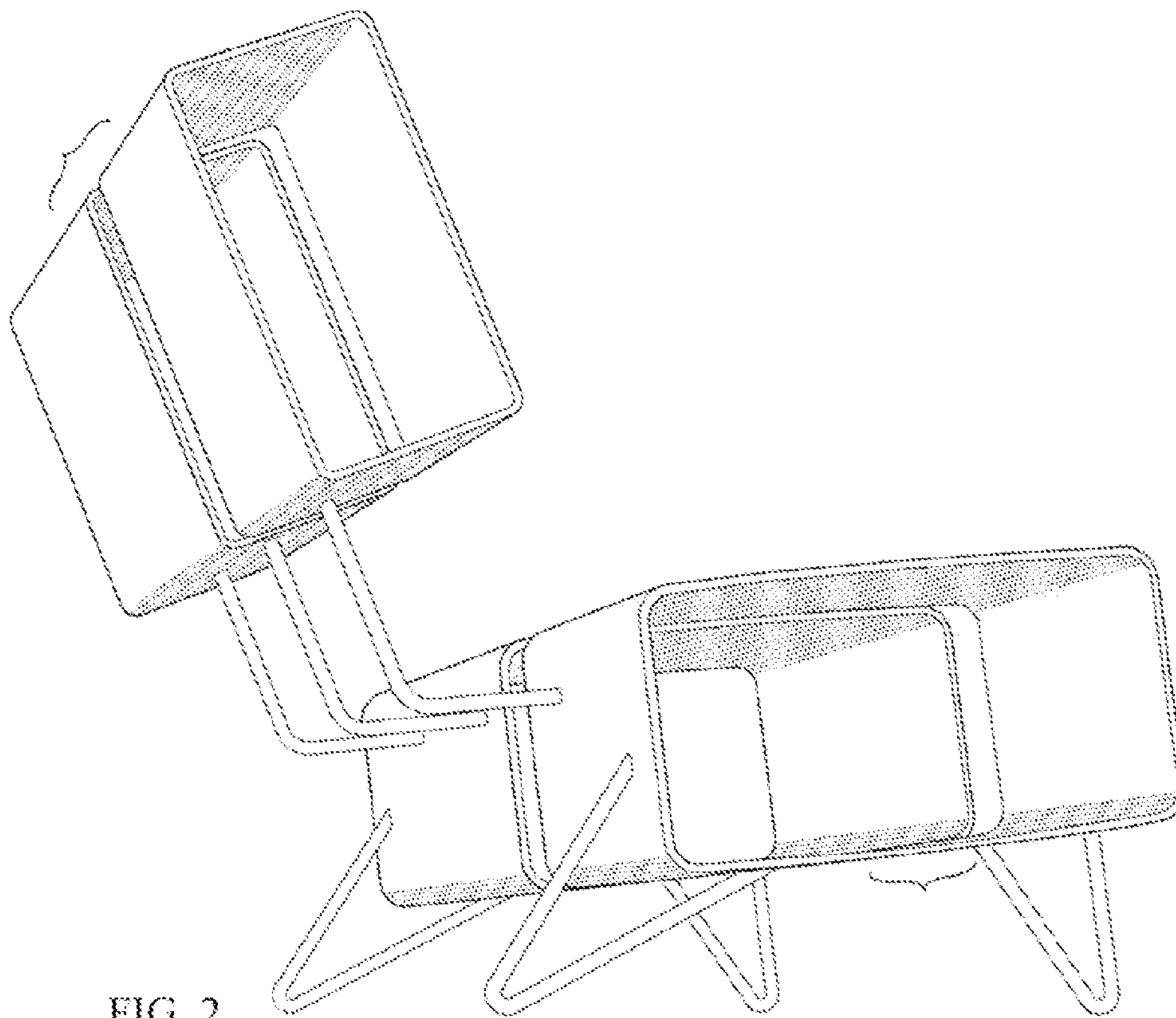


FIG. 2

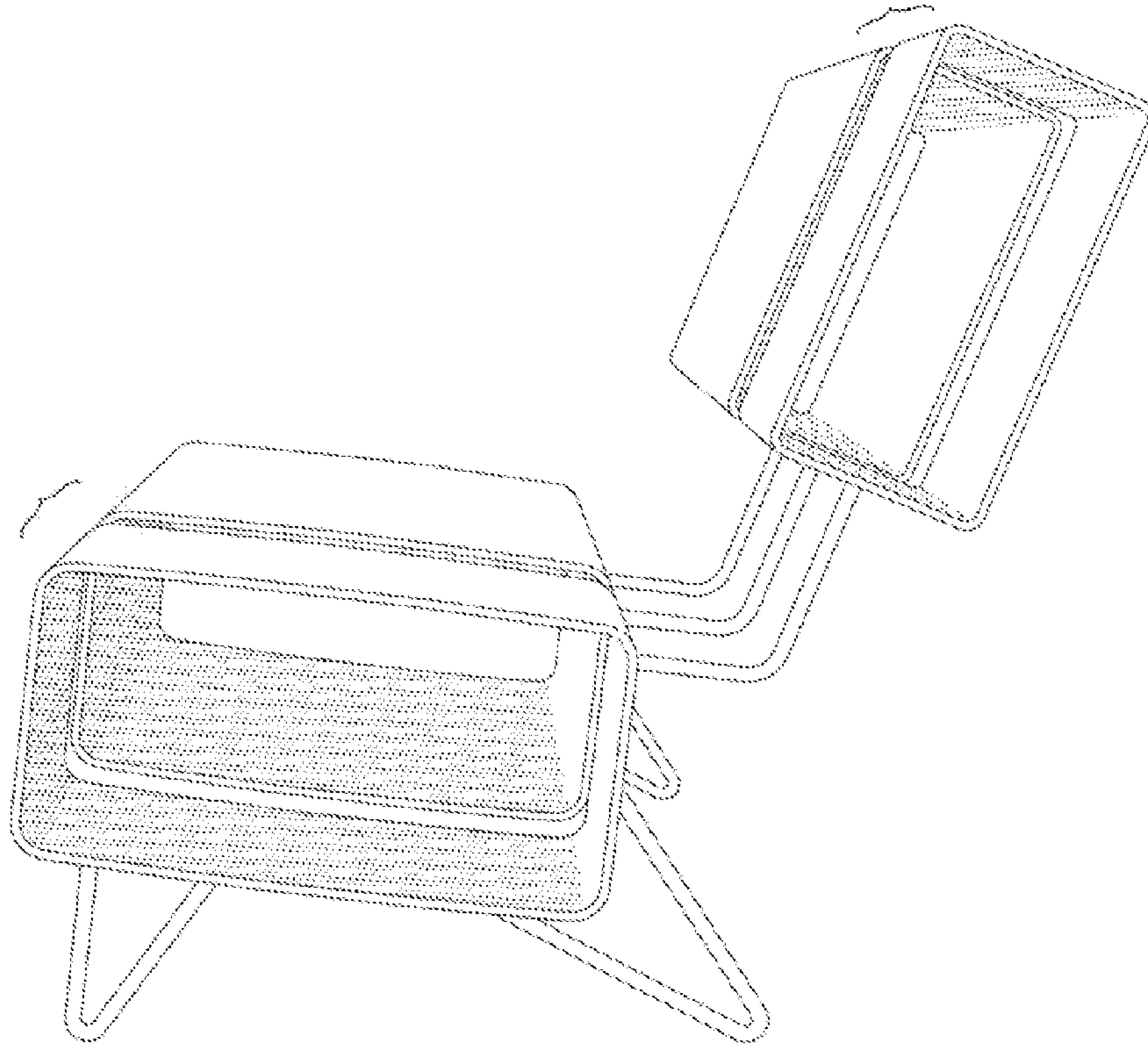


FIG. 3

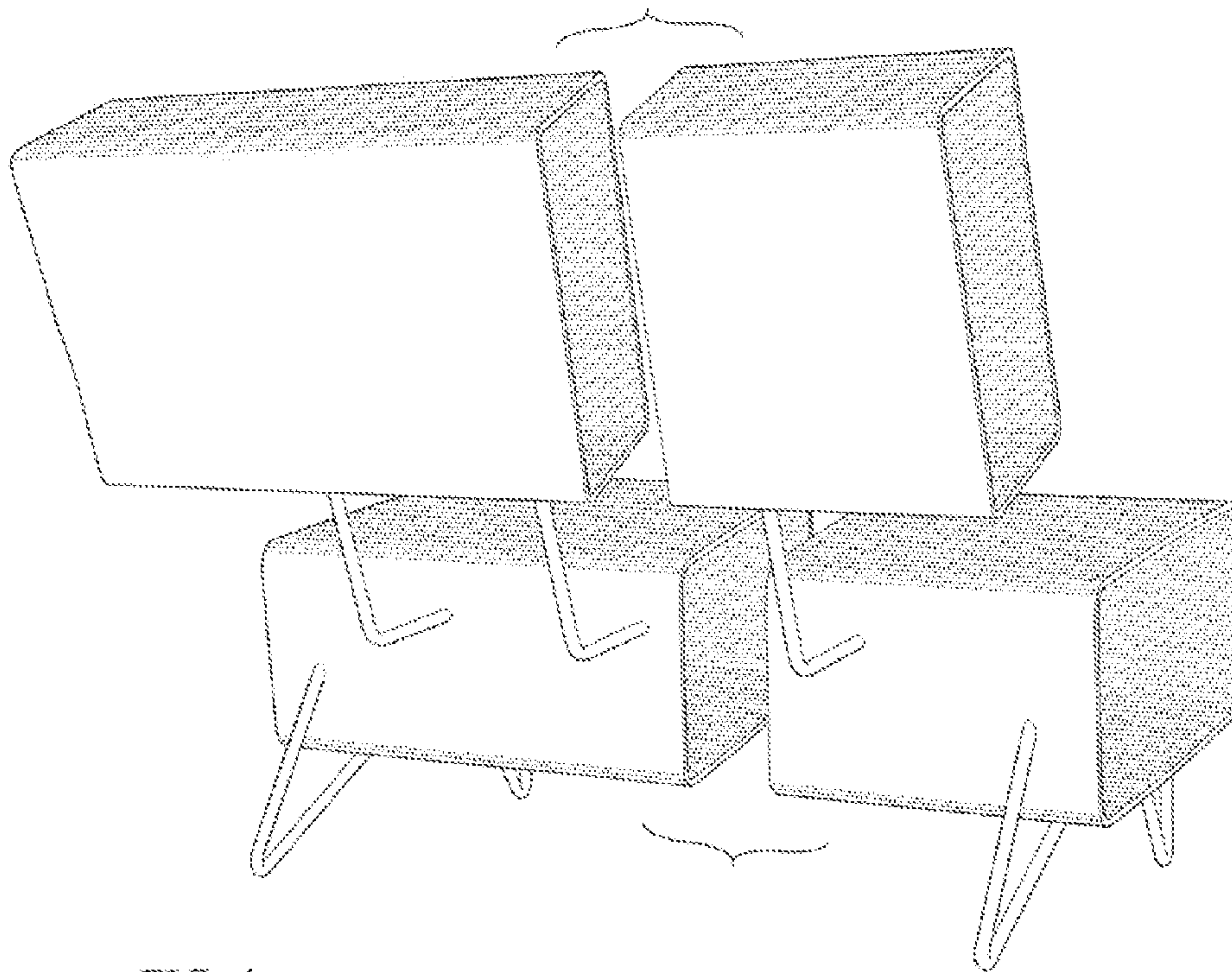


FIG. 4