



US00D620722S

(12) **United States Design Patent**
Adams

(10) **Patent No.:** **US D620,722 S**

(45) **Date of Patent:** **** Aug. 3, 2010**

(54) **MOBILE STOOL**

D292,406 S * 10/1987 Kruse et al. D15/23

(76) Inventor: **Dale R. Adams**, 315 Gouglar Ave., Kent,
OH (US) 44240

* cited by examiner

Primary Examiner—Mimosa De

(74) *Attorney, Agent, or Firm*—Tarolli, Sundheim, Covell &
Tummino LLP

(**) Term: **14 Years**

(21) Appl. No.: **29/345,629**

(57) **CLAIM**

(22) Filed: **Oct. 20, 2009**

I claim the ornamental design for a mobile stool, as shown and
described.

(51) **LOC (9) Cl.** **06-01**

(52) **U.S. Cl.** **D6/366; D6/375**

(58) **Field of Classification Search** D6/334–336,
D6/349, 354, 356, 367, 374, 375, 376, 379,
D6/380, 500–502; D15/15, 23, 28; 297/445.1,
297/446.1, 452.12, 452.14, 452.46, 452.55
See application file for complete search history.

DESCRIPTION

FIG. 1 is an isometric view of a mobile stool of the present
invention (the broken lines in FIGS. 1-7 are for illustrative
purposes only and do not form part of the invention shown in
FIGS. 1-7);

(56) **References Cited**

U.S. PATENT DOCUMENTS

D192,165 S *	2/1962	Brandon	D6/375
D192,421 S *	3/1962	Bostrom	D6/356
3,026,145 A *	3/1962	Galbraith	297/425.55
D197,964 S *	4/1964	Rhoades	D15/23
D199,304 S *	10/1964	Rhoades	D15/28
D208,697 S *	9/1967	Koeber	D15/23
D226,557 S *	3/1973	Skyer et al.	D15/23
D226,558 S *	3/1973	Skyer et al.	D15/23
D226,589 S *	3/1973	Svehla	D6/356
D243,270 S *	2/1977	Ehrlin et al.	D15/15
D245,604 S *	8/1977	Cognata et al.	D15/23
D249,042 S *	8/1978	Hinklin	D15/23

FIG. 2 is a side perspective view of the mobile stool shown in
FIG. 1;

FIG. 3 is a front elevational view of the mobile stool shown in
FIG. 1;

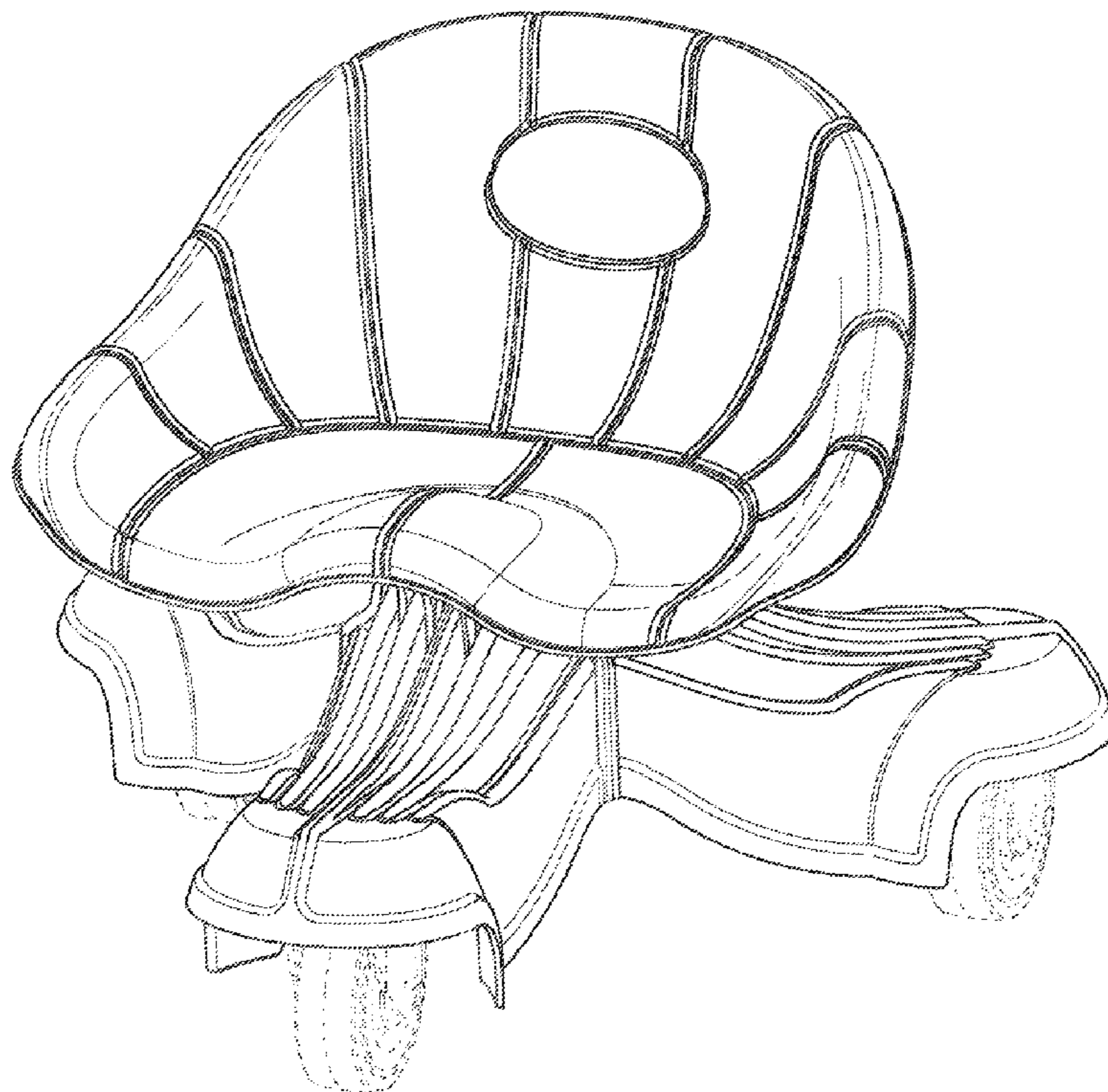
FIG. 4 is a rear elevational view of the mobile stool shown in
FIG. 1;

FIG. 5 is side elevational view of the mobile stool shown in
FIG. 1;

FIG. 6 is a top plan view of the mobile stool shown in FIG. 1;
and,

FIG. 7 is a bottom view of the mobile stool shown in FIG. 1.

1 Claim, 7 Drawing Sheets



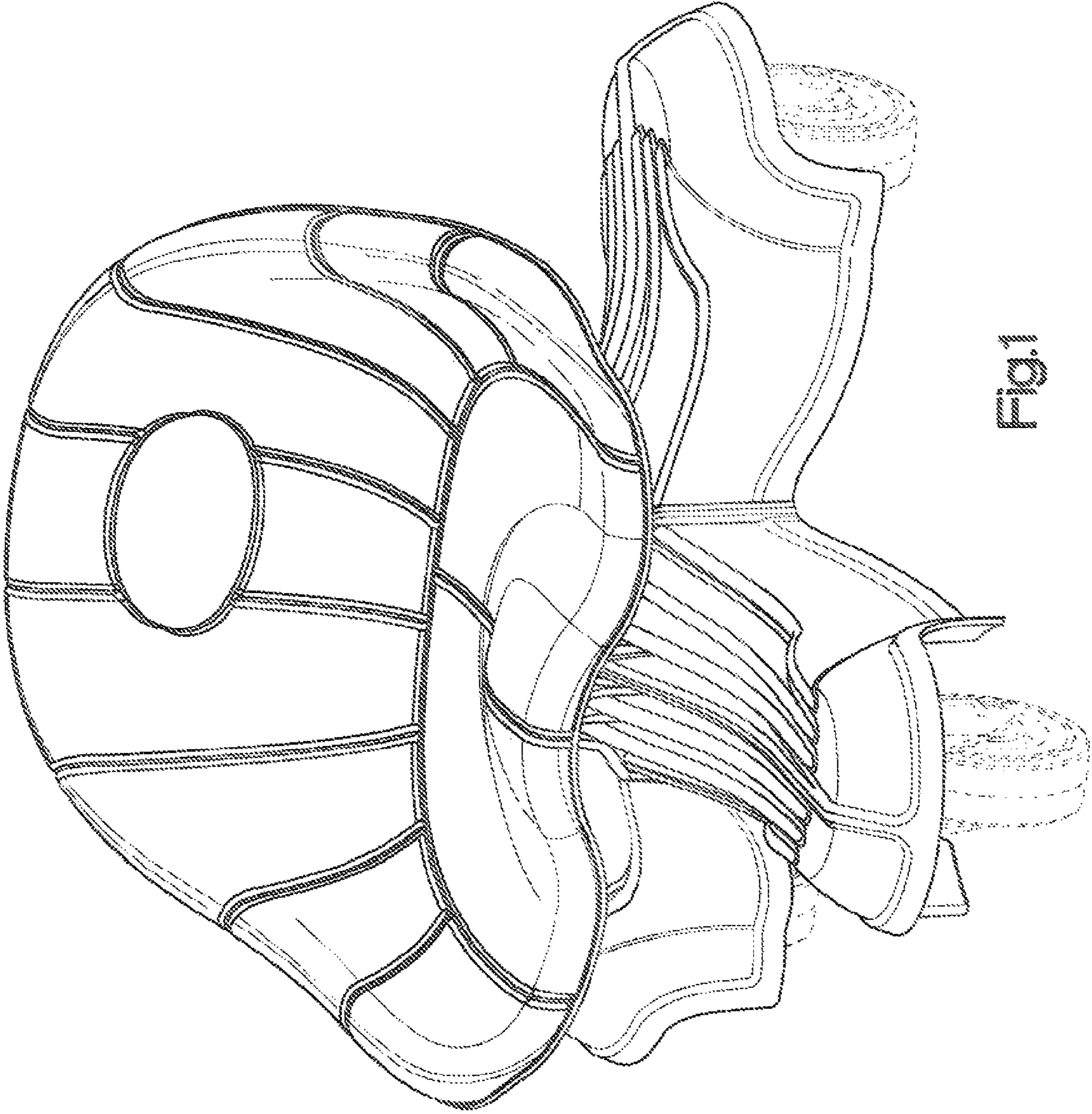


Fig. 1

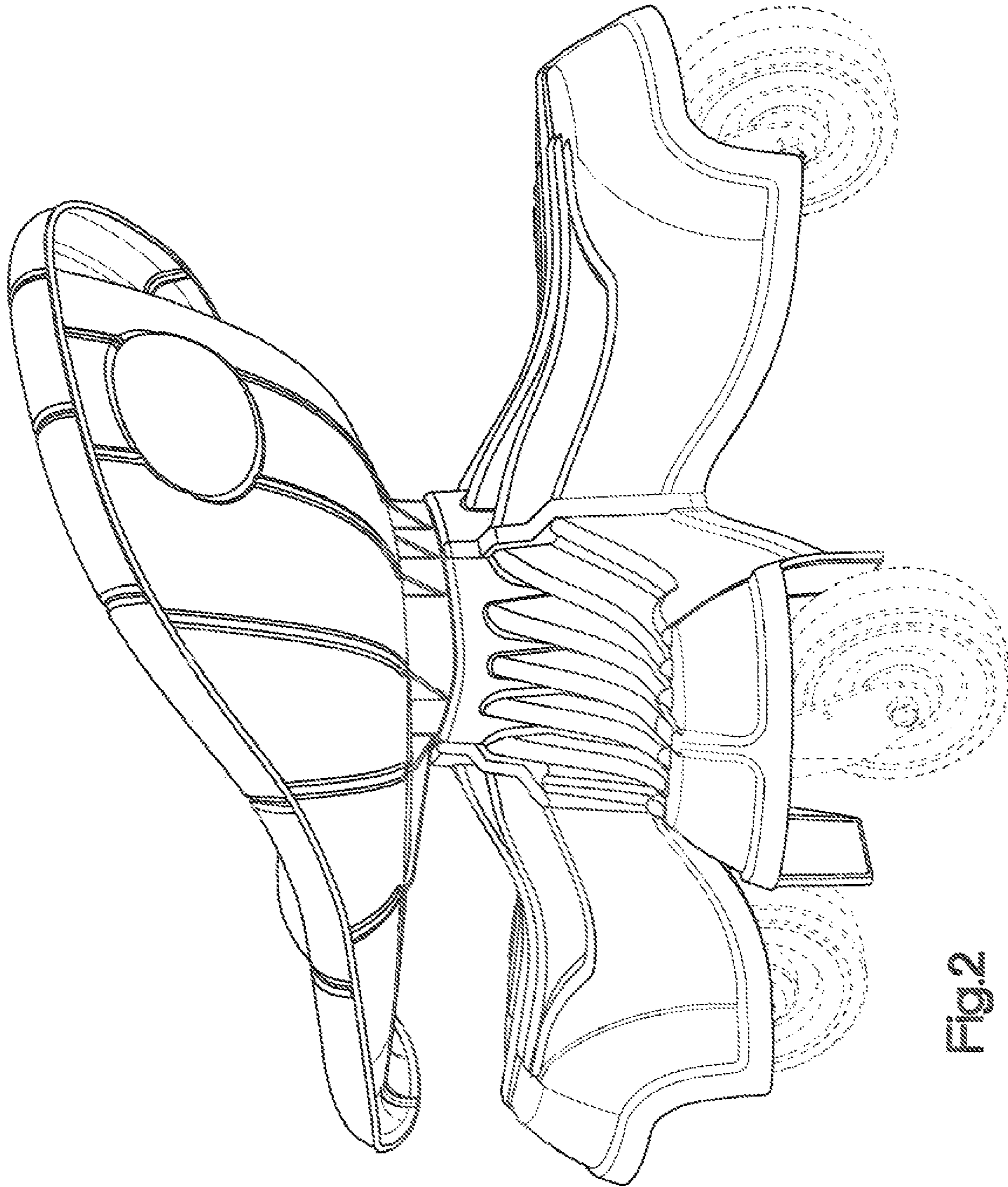


Fig. 2

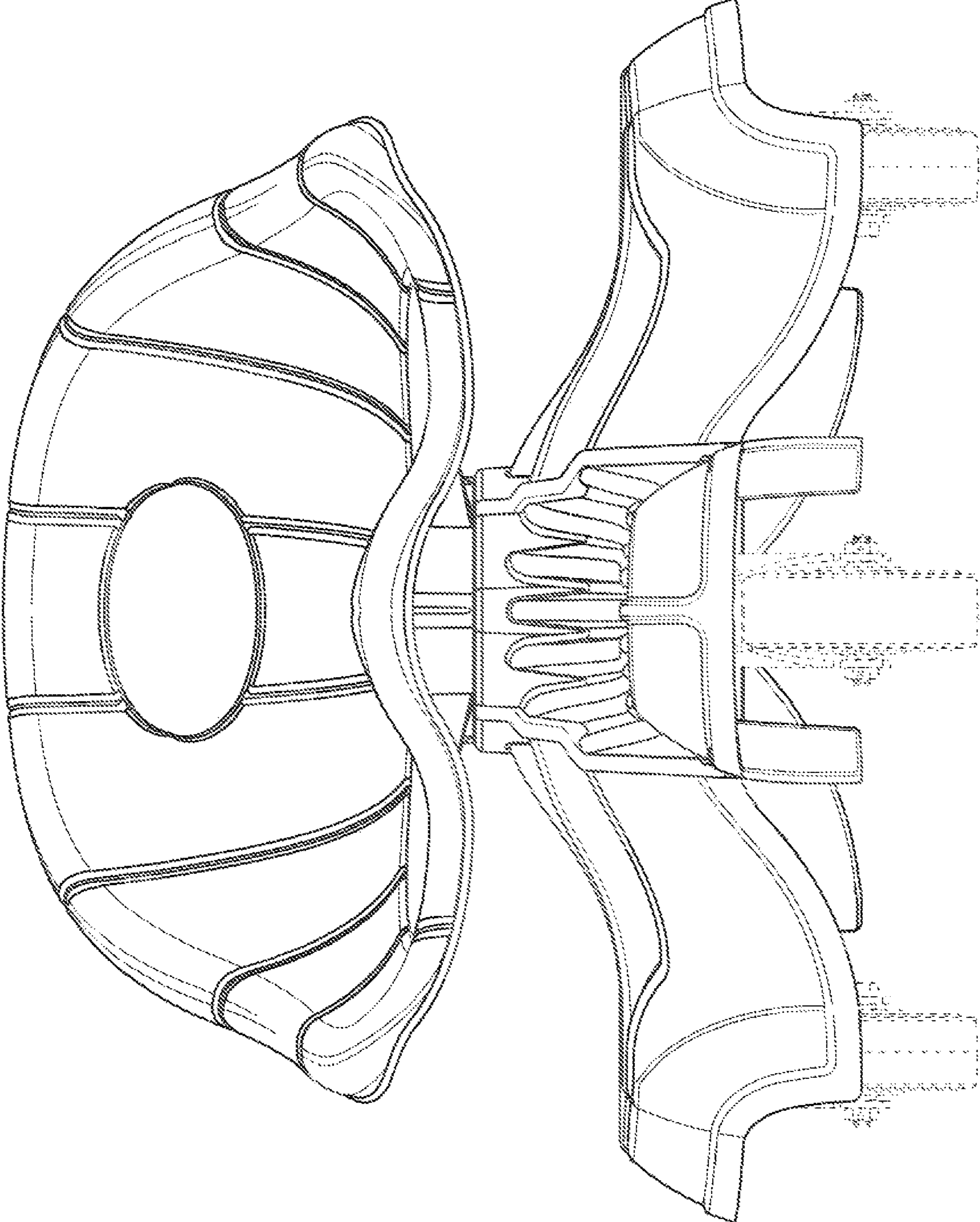


Fig. 3

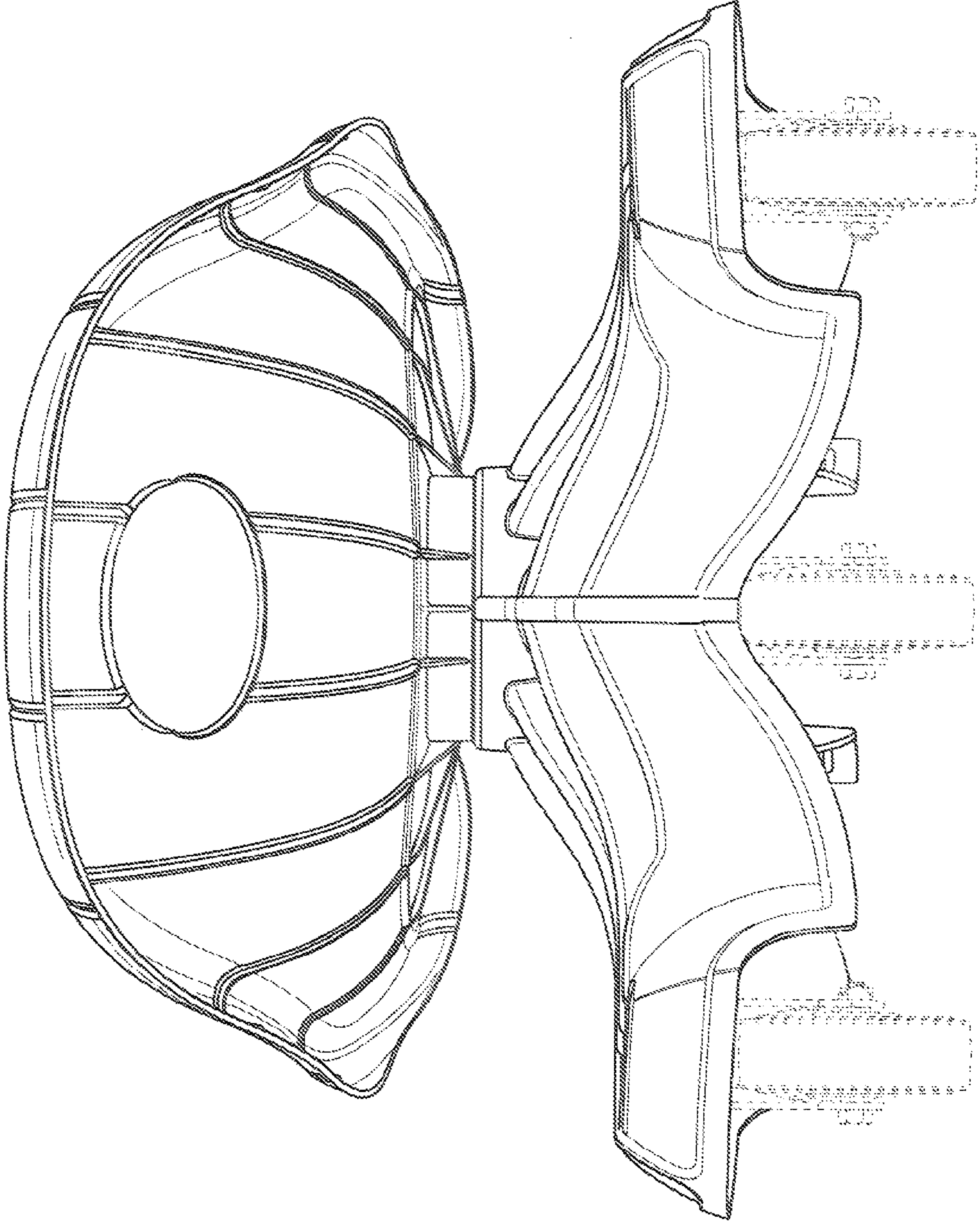


Fig.4

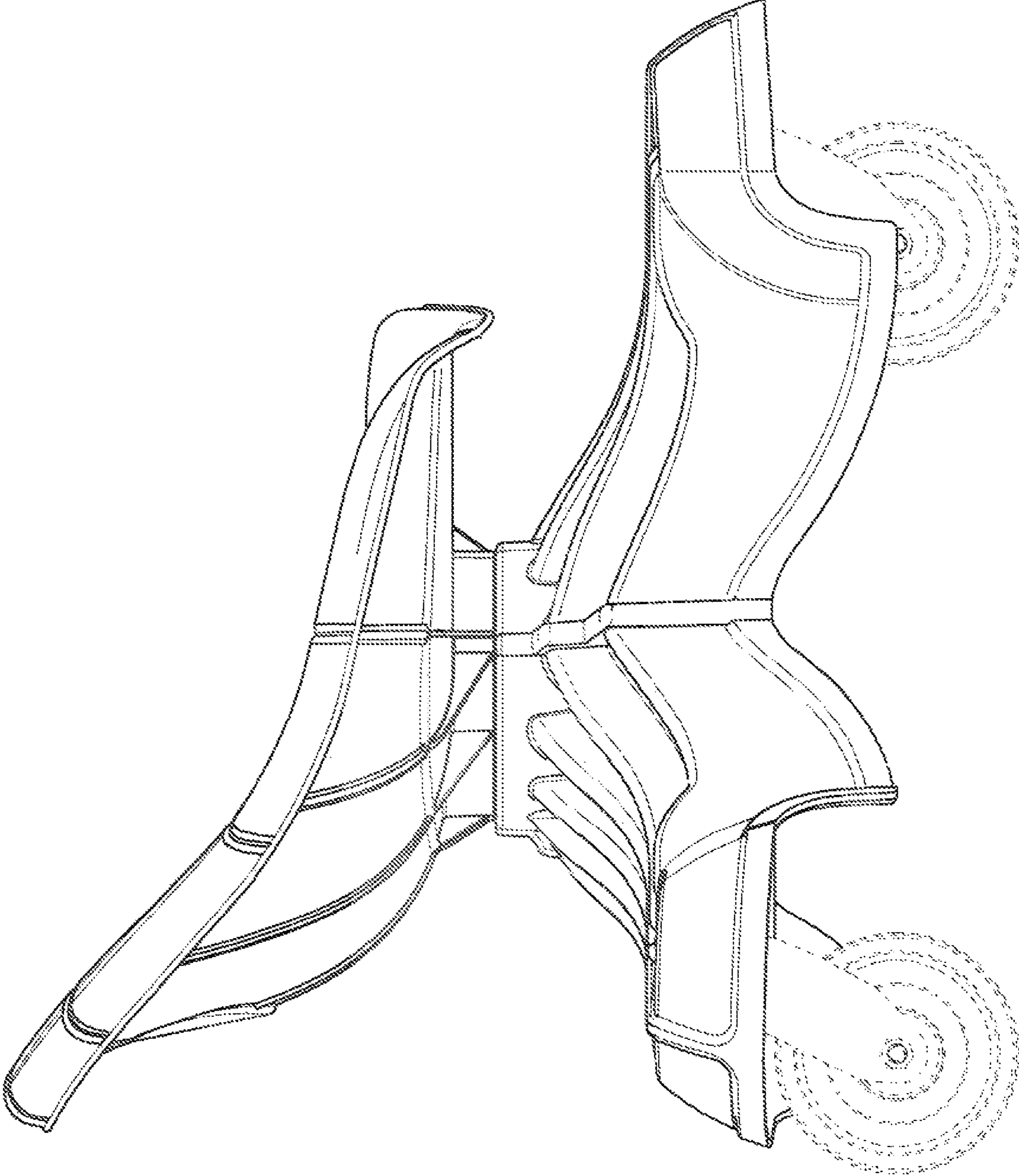


Fig. 5

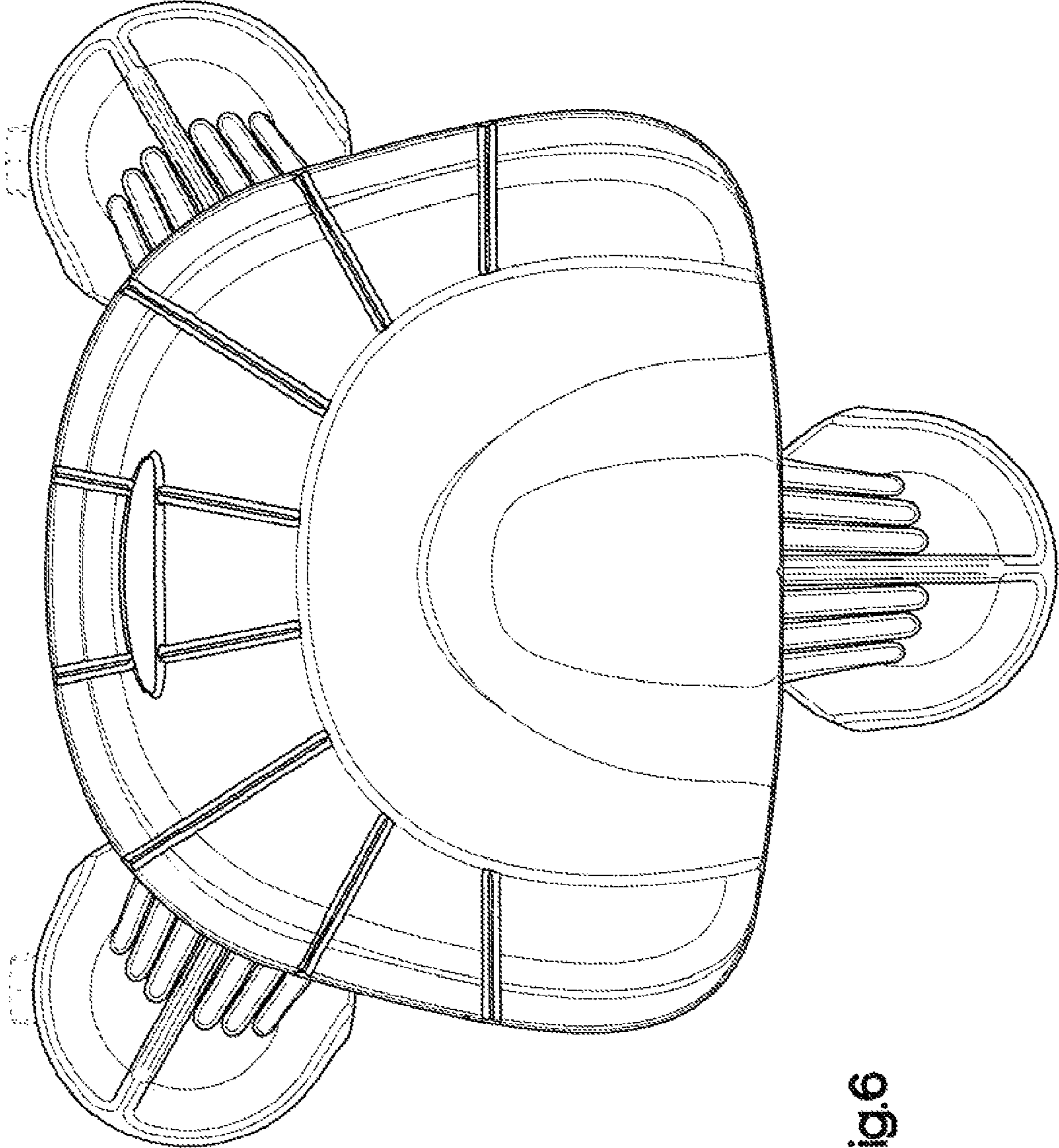


Fig. 6

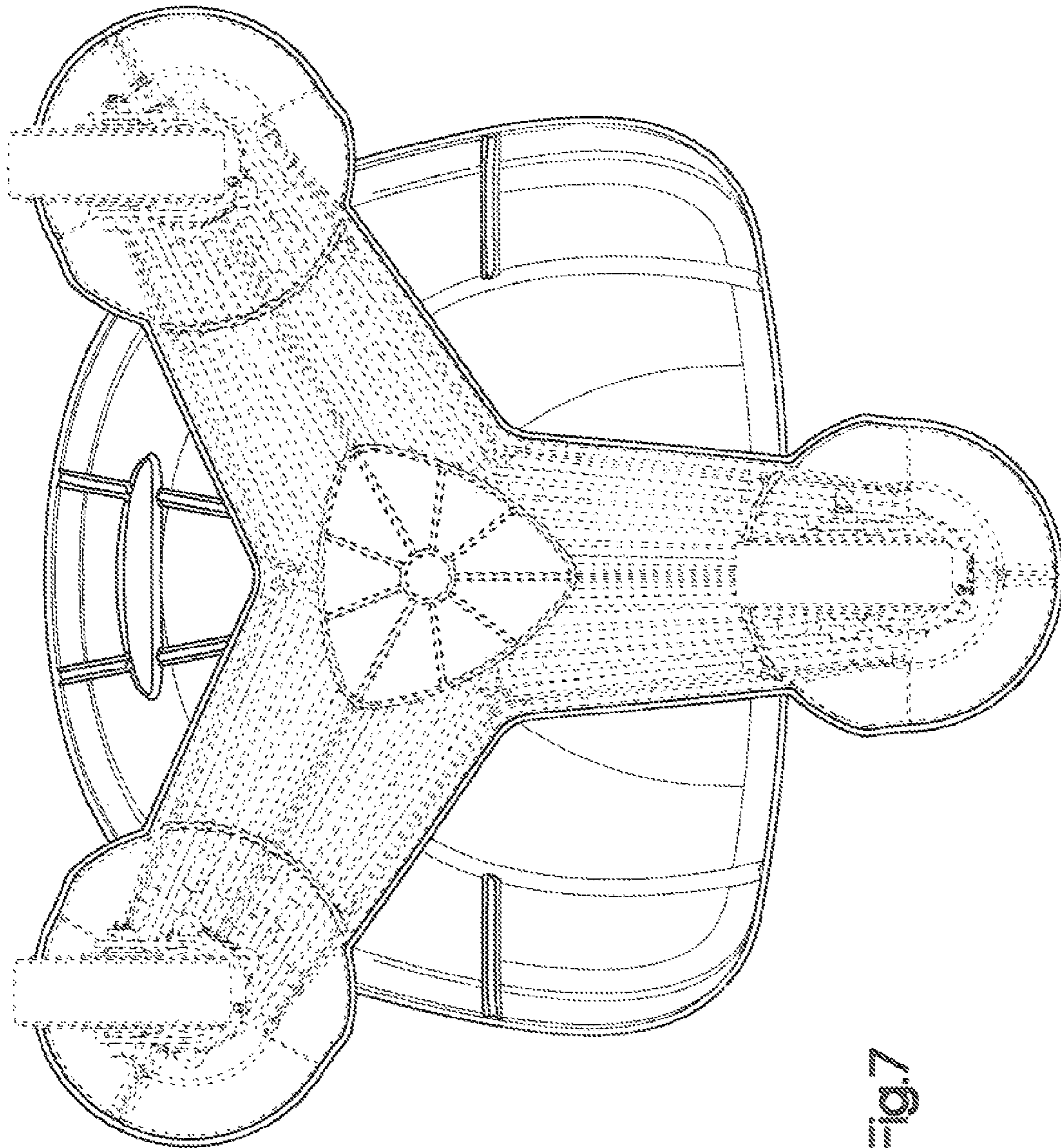


Fig. 7