



(12) **United States Design Patent**
Wang

(10) **Patent No.:** **US D620,720 S**
(45) **Date of Patent:** **** Aug. 3, 2010**

(54) **SPA CHAIR**

(76) **Inventor:** **Pao-Wen Wang**, 1F, No. 2, Alley 40,
Lane 721, Sanfong Rd., Fongyuan City,
Taichung County (TW)

(**) **Term:** **14 Years**

(21) **Appl. No.:** **29/353,140**

(22) **Filed:** **Jan. 4, 2010**

(51) **LOC (9) Cl.** **06-01**

(52) **U.S. Cl.** **D6/336**

(58) **Field of Classification Search** D6/334-338,
D6/349, 355, 361, 368-370, 376, 379-381,
D6/492, 495, 500-502, 491; 297/16.1, 42,
297/94, 135, 175, 232, 233, 350, 351, 445.1,
297/448.1, 448.2, 451.9; 5/12.1, 12.2; D28/56
See application file for complete search history.

(56) **References Cited**

U.S. PATENT DOCUMENTS

D288,729 S *	3/1987	Meyerovich et al.	D28/61
D412,600 S *	8/1999	Oh et al.	D28/56
D424,819 S *	5/2000	Galati et al.	D6/336
D429,379 S *	8/2000	Kim	D28/56
D434,916 S *	12/2000	Galati et al.	D6/336
D435,937 S *	1/2001	Back et al.	D28/61
D454,705 S *	3/2002	Long et al.	D6/336
D455,017 S *	4/2002	Tran	D6/336
D455,566 S *	4/2002	Park	D6/336
D456,154 S *	4/2002	Huynh et al.	D6/336
D457,018 S *	5/2002	Park	D6/495
6,503,212 B2 *	1/2003	Park	601/158
D479,919 S *	9/2003	Genelli et al.	D6/336
D498,599 S *	11/2004	Luong	D6/336
D504,783 S *	5/2005	Park	D6/336

D505,021 S *	5/2005	Kim	D6/336
D520,761 S *	5/2006	Masuda	D6/336
D526,505 S *	8/2006	Gruenwald et al.	D6/381
D541,060 S *	4/2007	Fugate et al.	D6/335
D562,575 S *	2/2008	Le	D6/336
D566,407 S *	4/2008	Gay	D6/336
D576,806 S *	9/2008	Le	D6/336
D576,807 S *	9/2008	Le	D6/336
D583,576 S *	12/2008	Tran	D6/336
D585,142 S *	1/2009	Galati et al.	D24/213
2004/0060108 A1 *	4/2004	Hoon Park	4/622
2006/0242760 A1 *	11/2006	Chao	4/622

* cited by examiner

Primary Examiner—Sandra Snapp

(74) *Attorney, Agent, or Firm*—Pai Patent & Trademark Law Firm; Chao-Chang David Pai

(57) **CLAIM**

The ornamental design for a spa chair, as shown and described.

DESCRIPTION

FIG. 1 is a front perspective view of a spa chair, showing my new design;

FIG. 2 is a front elevational view thereof;

FIG. 3 is a rear elevational view thereof;

FIG. 4 is a left side elevational view thereof;

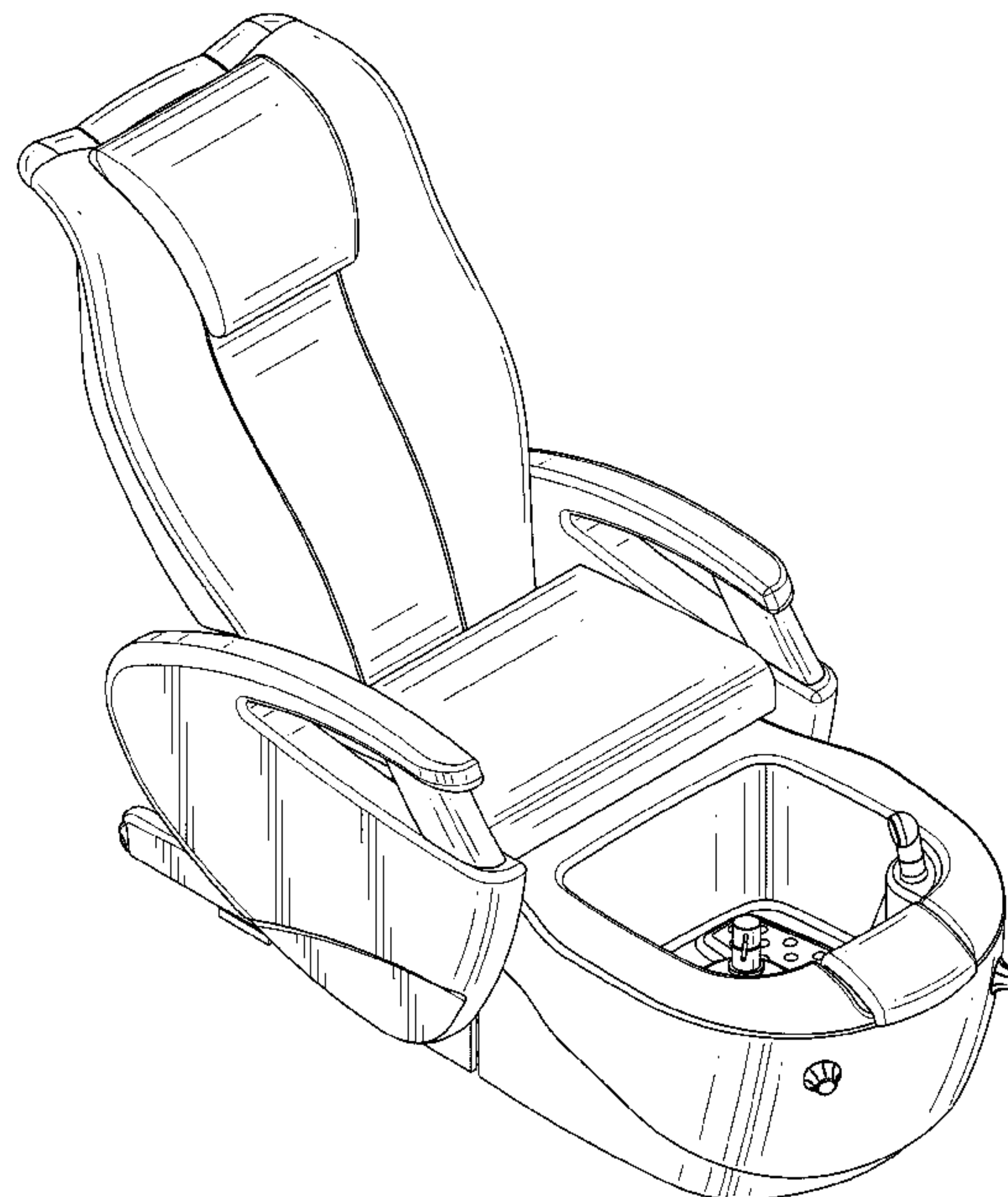
FIG. 5 is a right side elevational view thereof;

FIG. 6 is a top plan view thereof; and,

FIG. 7 is a bottom plan view thereof.

The broken lines shown in the drawings are for illustrative purposes only and from no part of the claimed design.

1 Claim, 7 Drawing Sheets



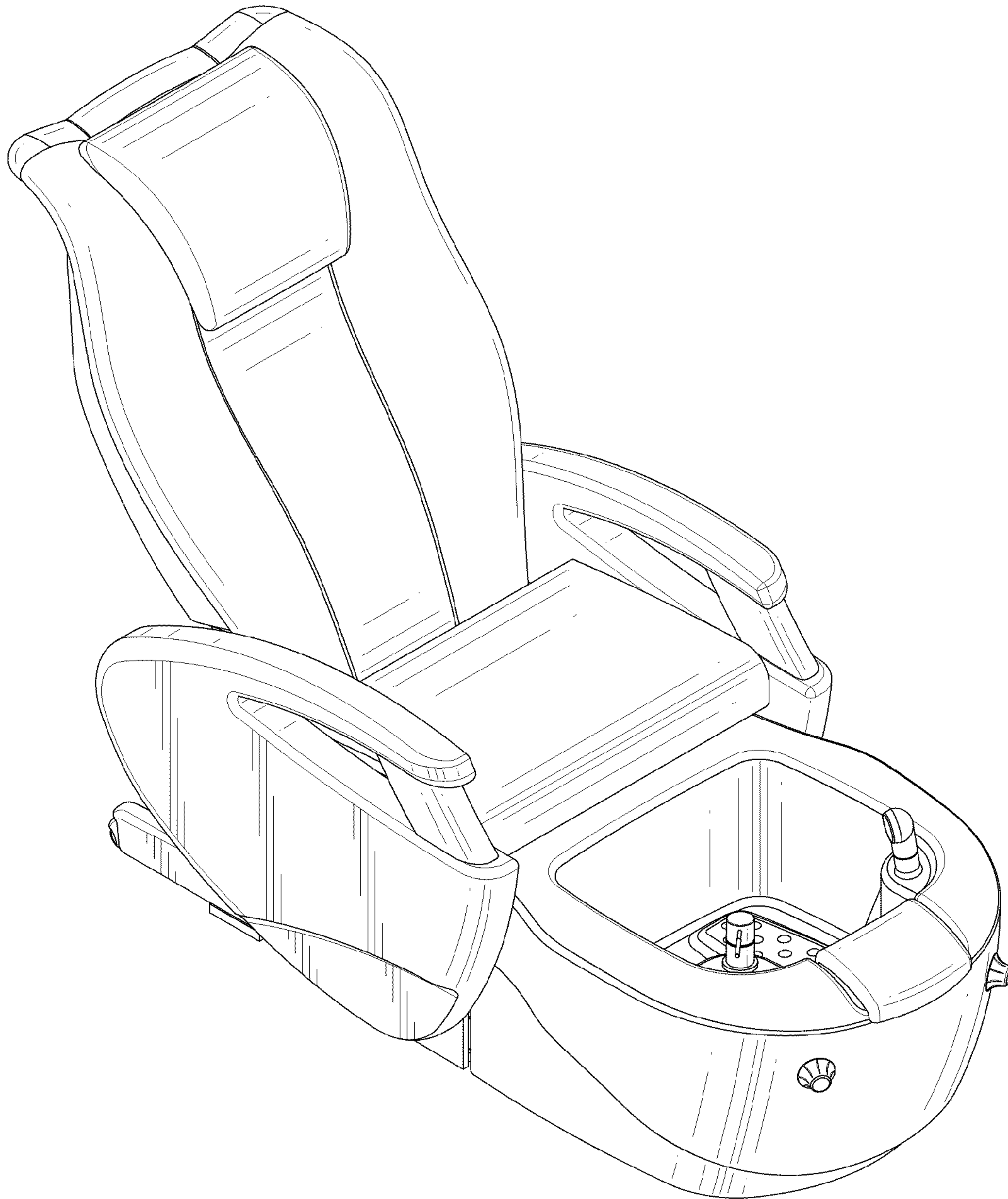


FIG. 1

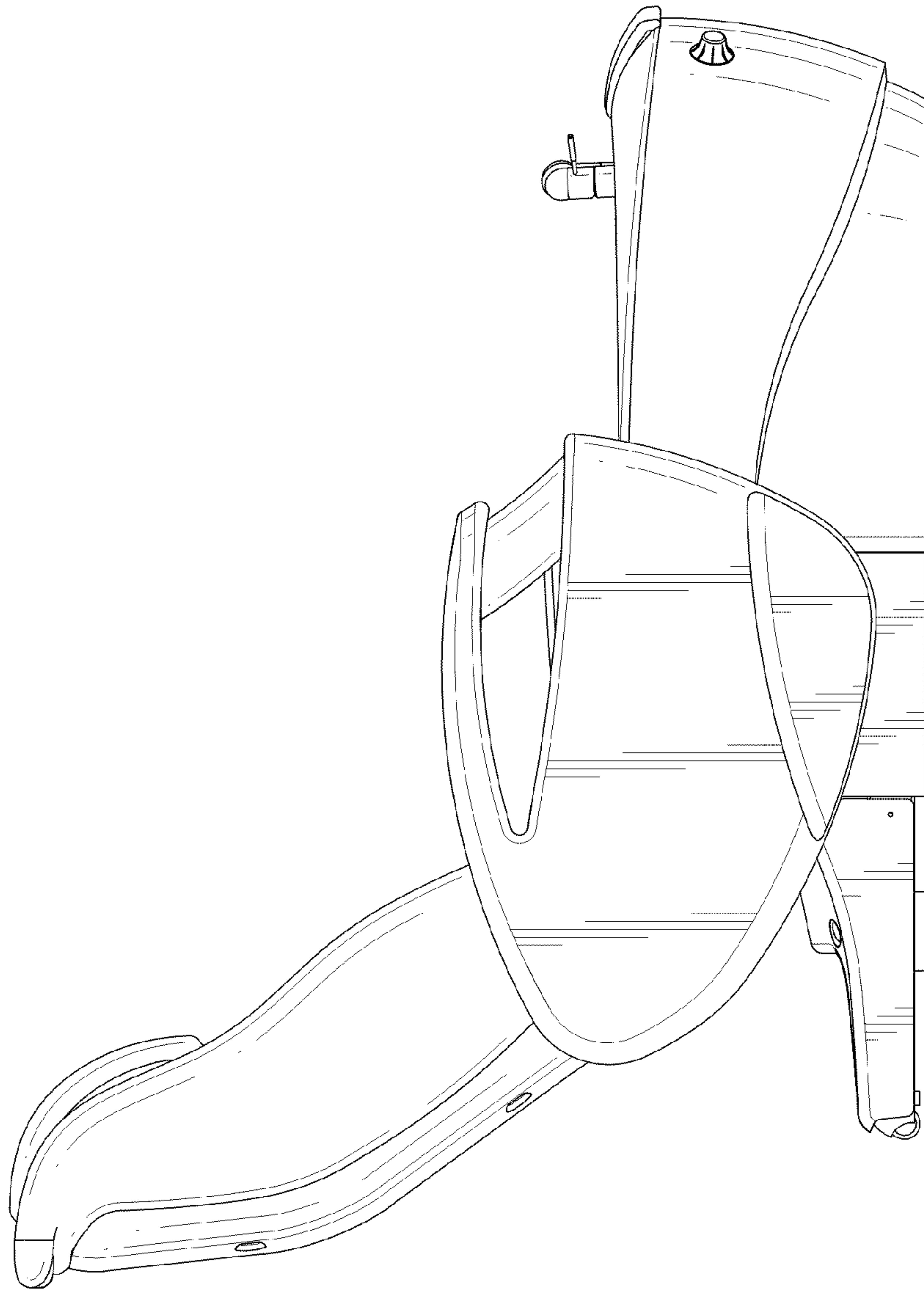


FIG. 2

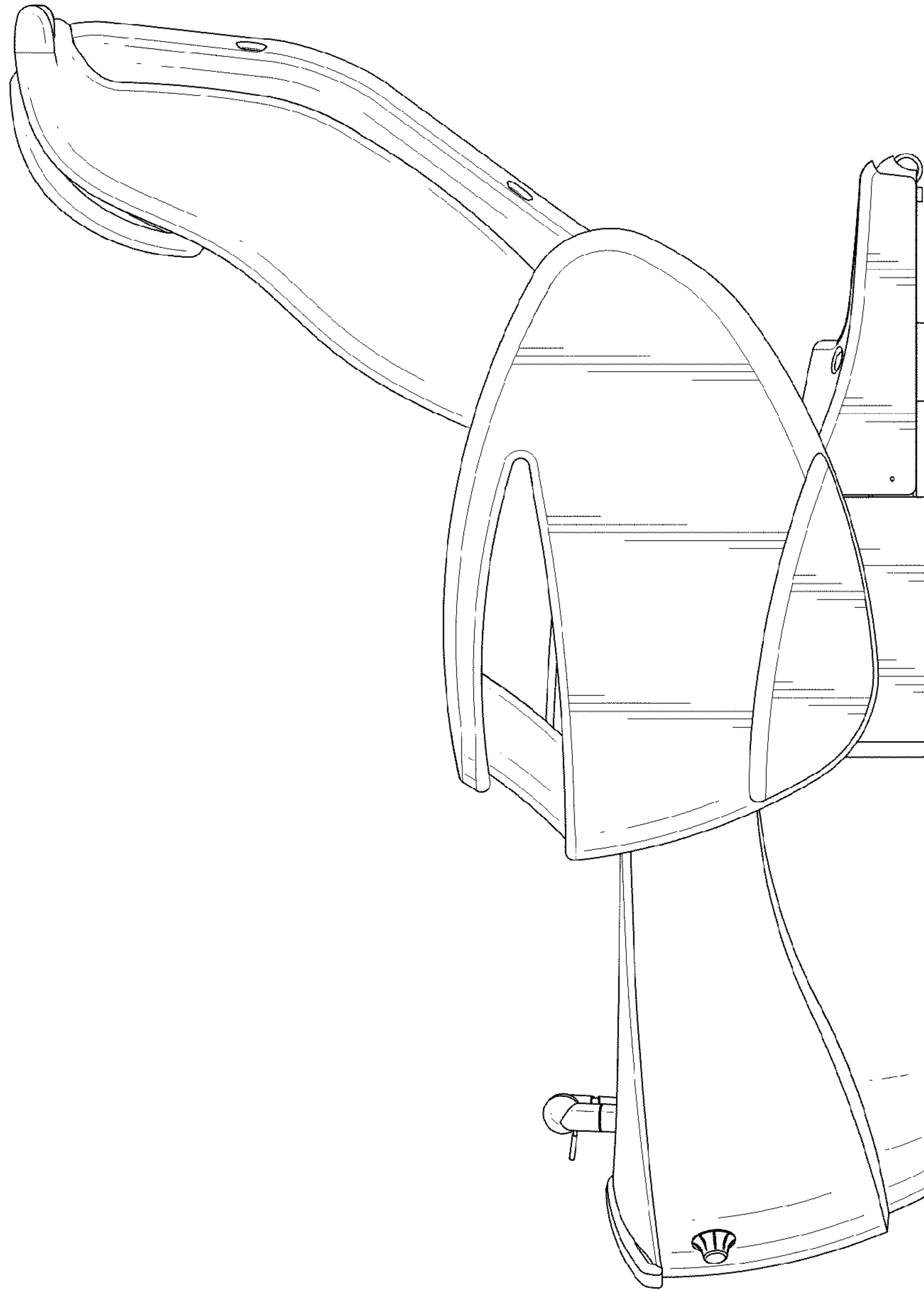


FIG. 3

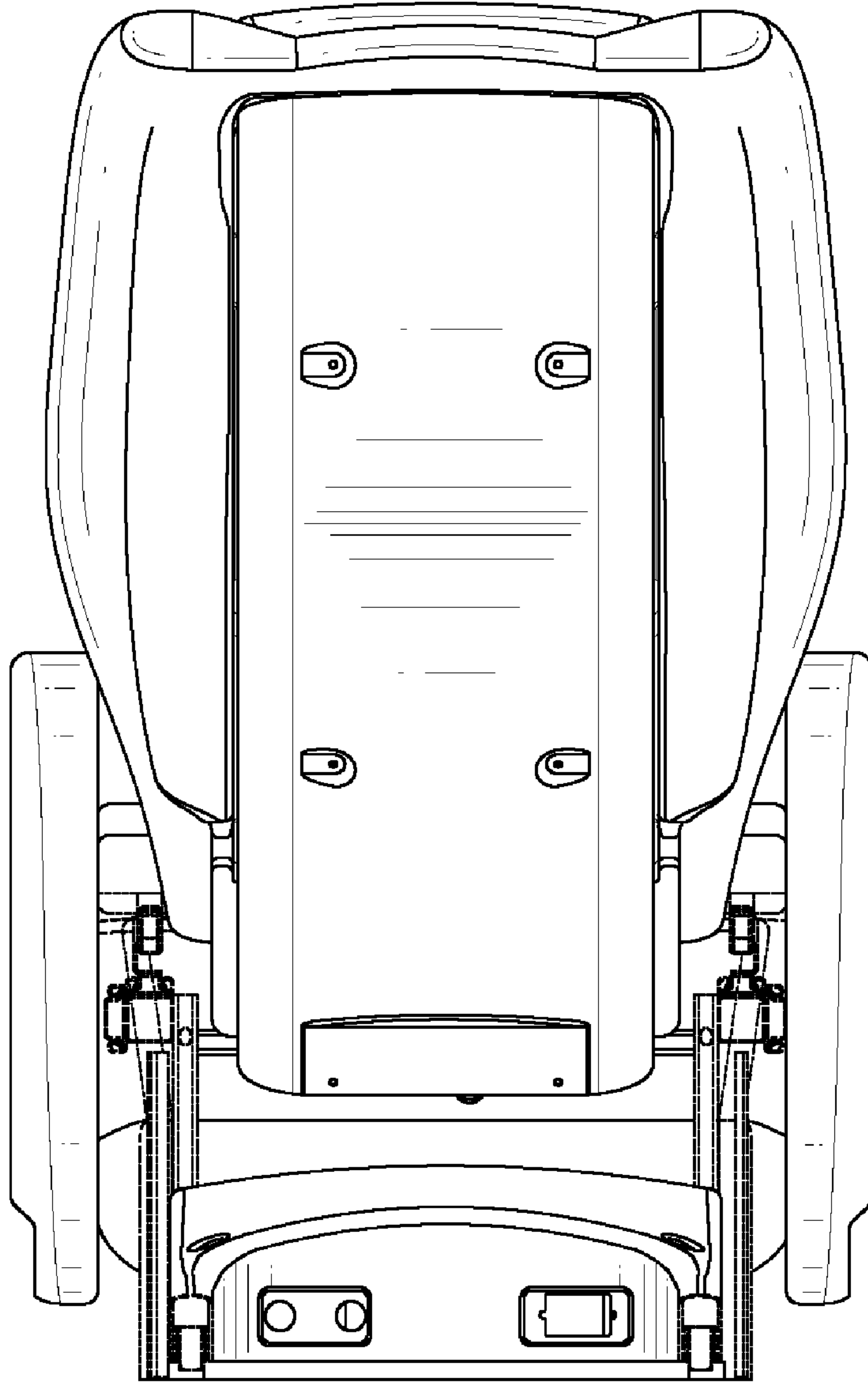


FIG. 4

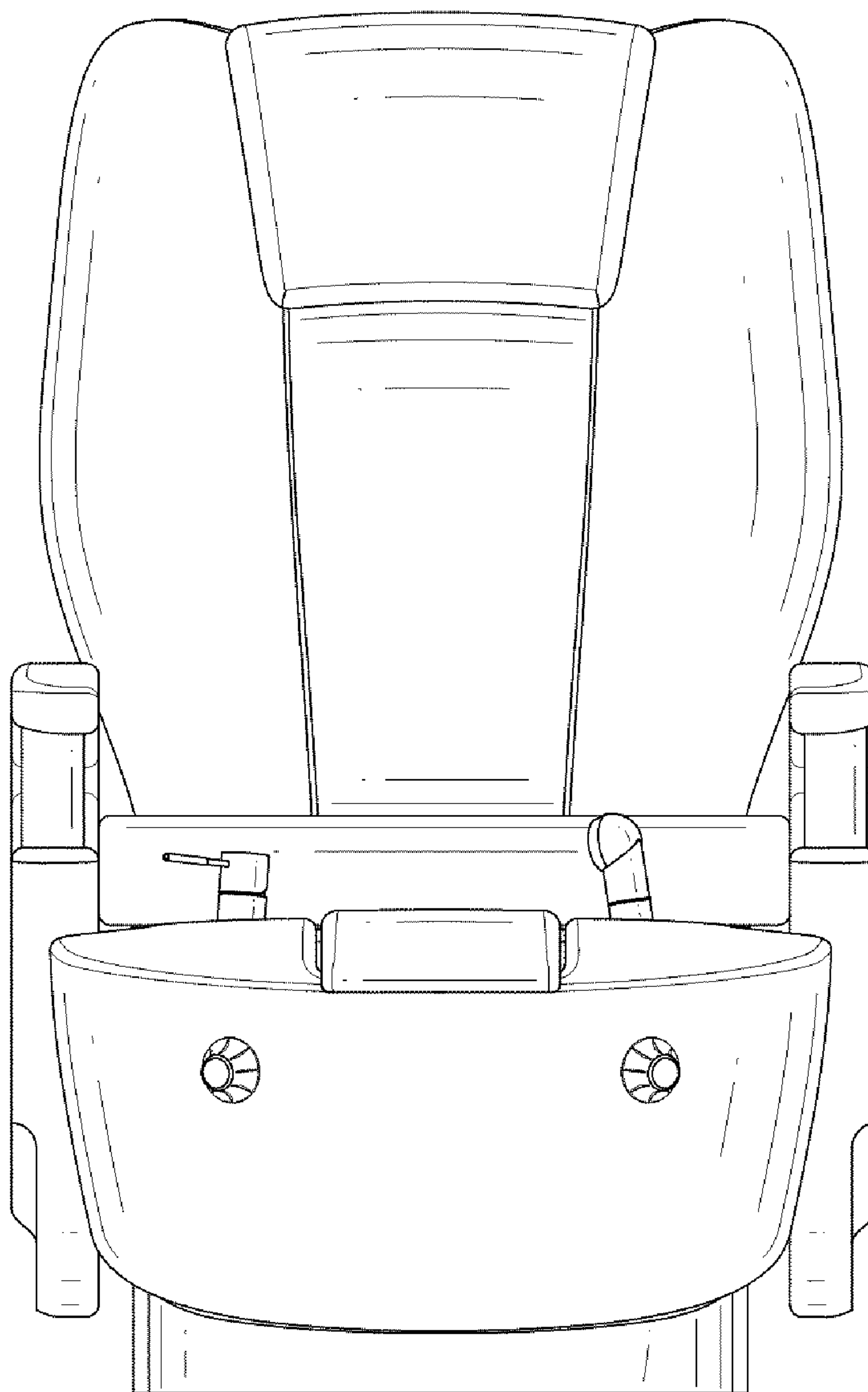


FIG. 5

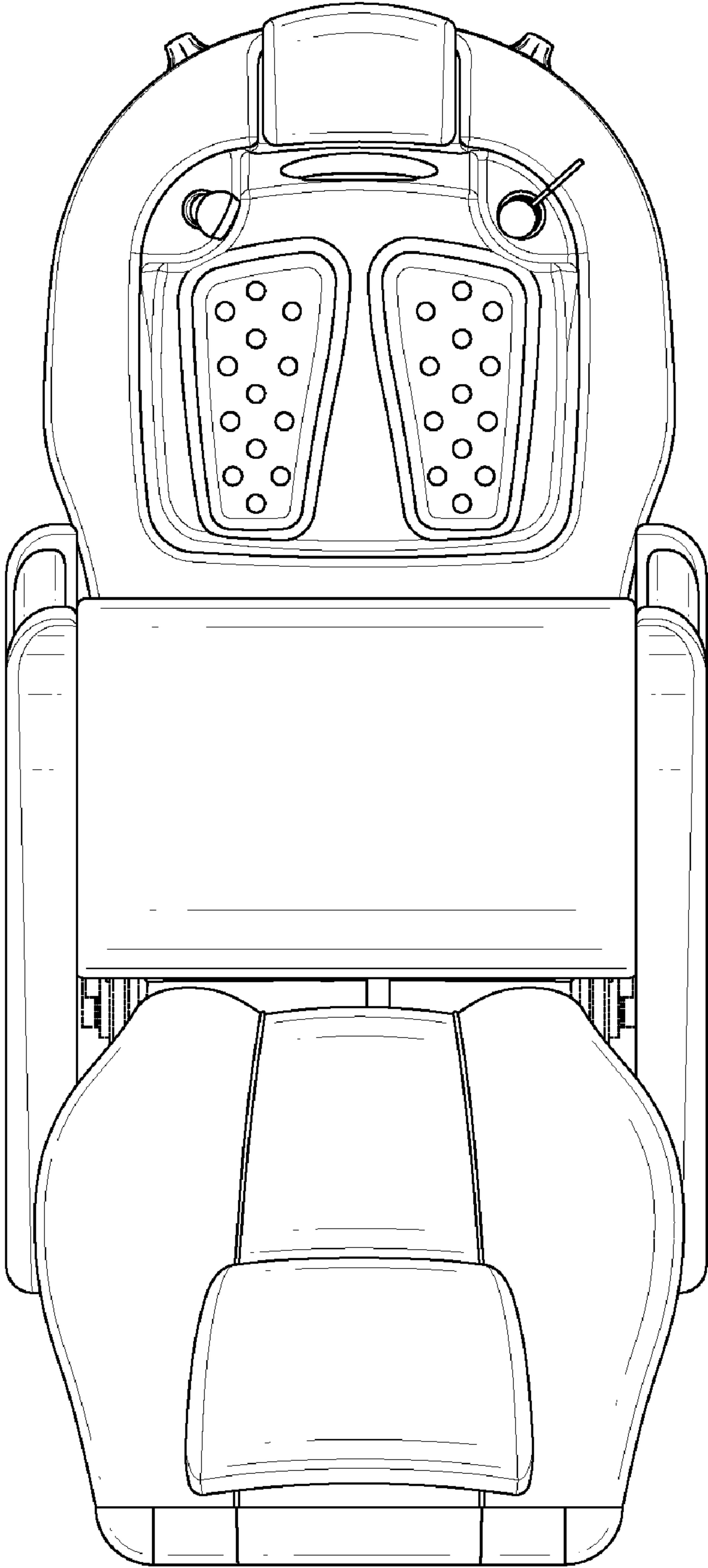


FIG. 6

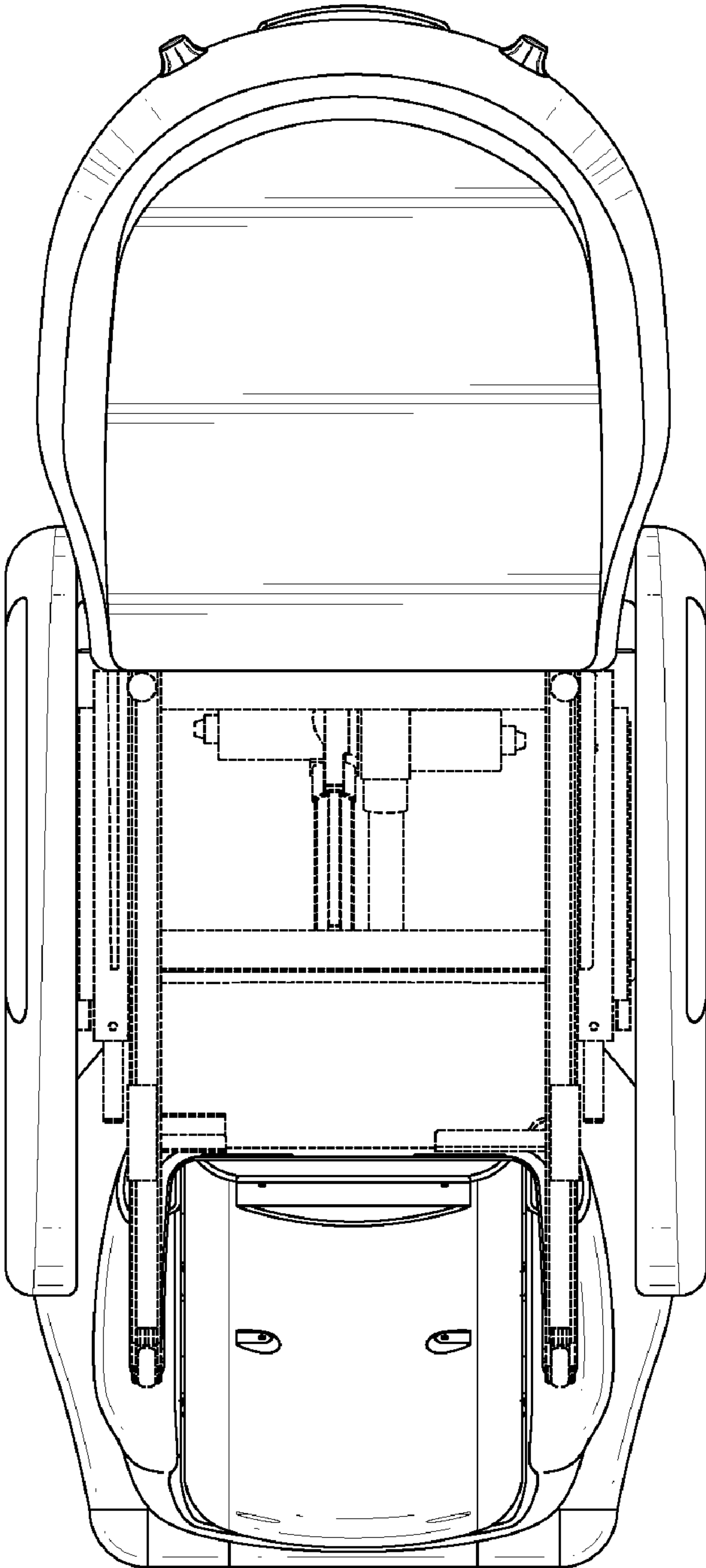


FIG. 7