



US00D620713S

(12) **United States Design Patent**  
**Polser**

(10) **Patent No.:** **US D620,713 S**

(45) **Date of Patent:** **\*\* Aug. 3, 2010**

(54) **SCRUB BRUSH AND CADDY UNIT**

(76) Inventor: **Jason Polser**, 6500 Highway 46 W. Unit 10, New Braunfels, TX (US) 78132

(\*\*) Term: **14 Years**

(21) Appl. No.: **29/348,704**

(22) Filed: **Feb. 1, 2010**

(51) **LOC (9) Cl.** ..... **04-02**

(52) **U.S. Cl.** ..... **D4/116; D4/130; D28/63**

(58) **Field of Classification Search** ..... D4/116, D4/121, 130, 199; 15/159.1, 160, 104.92, 15/105, 146, 161; D28/63; D32/47; 4/605, 4/606; 206/361; 211/65; 248/110

See application file for complete search history.

(56) **References Cited**

**U.S. PATENT DOCUMENTS**

1,639,366	A *	8/1927	Brown	.....	248/363
3,289,215	A *	12/1966	Kennedy	.....	4/606
3,631,560	A *	1/1972	Atkins	.....	15/146
D326,931	S *	6/1992	Tomsick	.....	D28/63
D343,476	S *	1/1994	Tomsick	.....	D28/63
D388,547	S *	12/1997	Walls	.....	D28/63
5,774,907	A	7/1998	Doggwiler		
5,784,722	A	7/1998	Ureta et al.		
6,647,564	B1 *	11/2003	Smith	.....	4/606
D514,816	S *	2/2006	Clapperton	.....	D4/116
6,996,861	B1	2/2006	Clark, Jr.		
7,434,287	B1	10/2008	Borges		

**FOREIGN PATENT DOCUMENTS**

FR	2697987	A3 *	5/1994
WO	WO 02/43544	A1 *	6/2002

\* cited by examiner

*Primary Examiner*—Melanie H Tung  
*Assistant Examiner*—Lavone D Tabor  
(74) *Attorney, Agent, or Firm*—Paul R. Martin

(57) **CLAIM**

The ornamental design for a scrub brush and caddy unit, as shown and described.

**DESCRIPTION**

FIG. 1 is a perspective view of the scrub brush and caddy unit of this invention with the brush component partially removed from the caddy.

FIG. 2 is perspective view of the scrub brush and caddy unit of the invention shown in FIG. 1 with the brush component fully engaged with the caddy.

FIG. 3 is a plan view of the front of the scrub brush and caddy unit of the invention shown in FIG. 2.

FIG. 4 is a plan view of the back of the scrub brush and caddy unit of the invention shown in FIG. 2.

FIG. 5 is a right side elevational view of the scrub brush and caddy unit of the invention shown in FIG. 2.

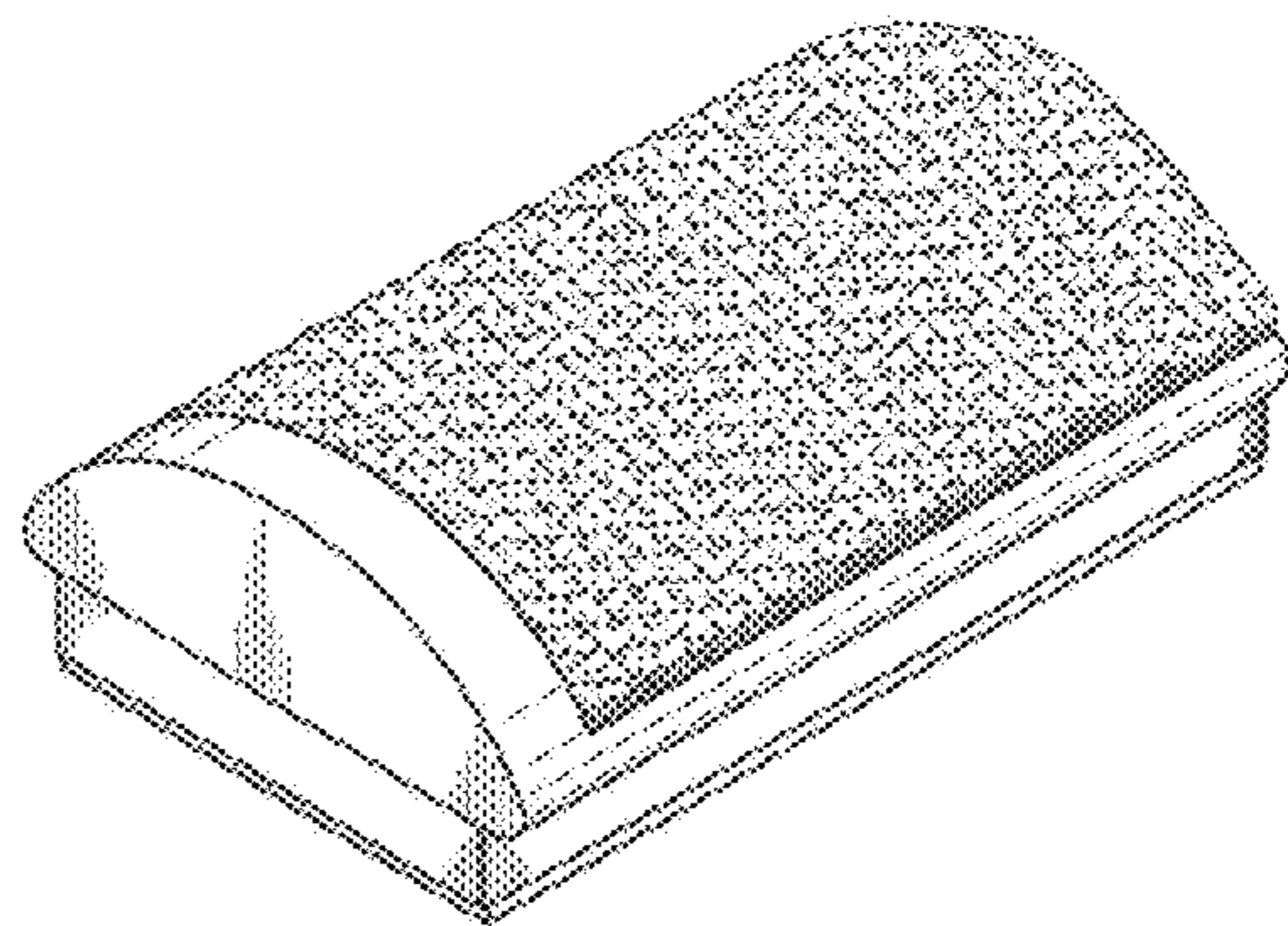
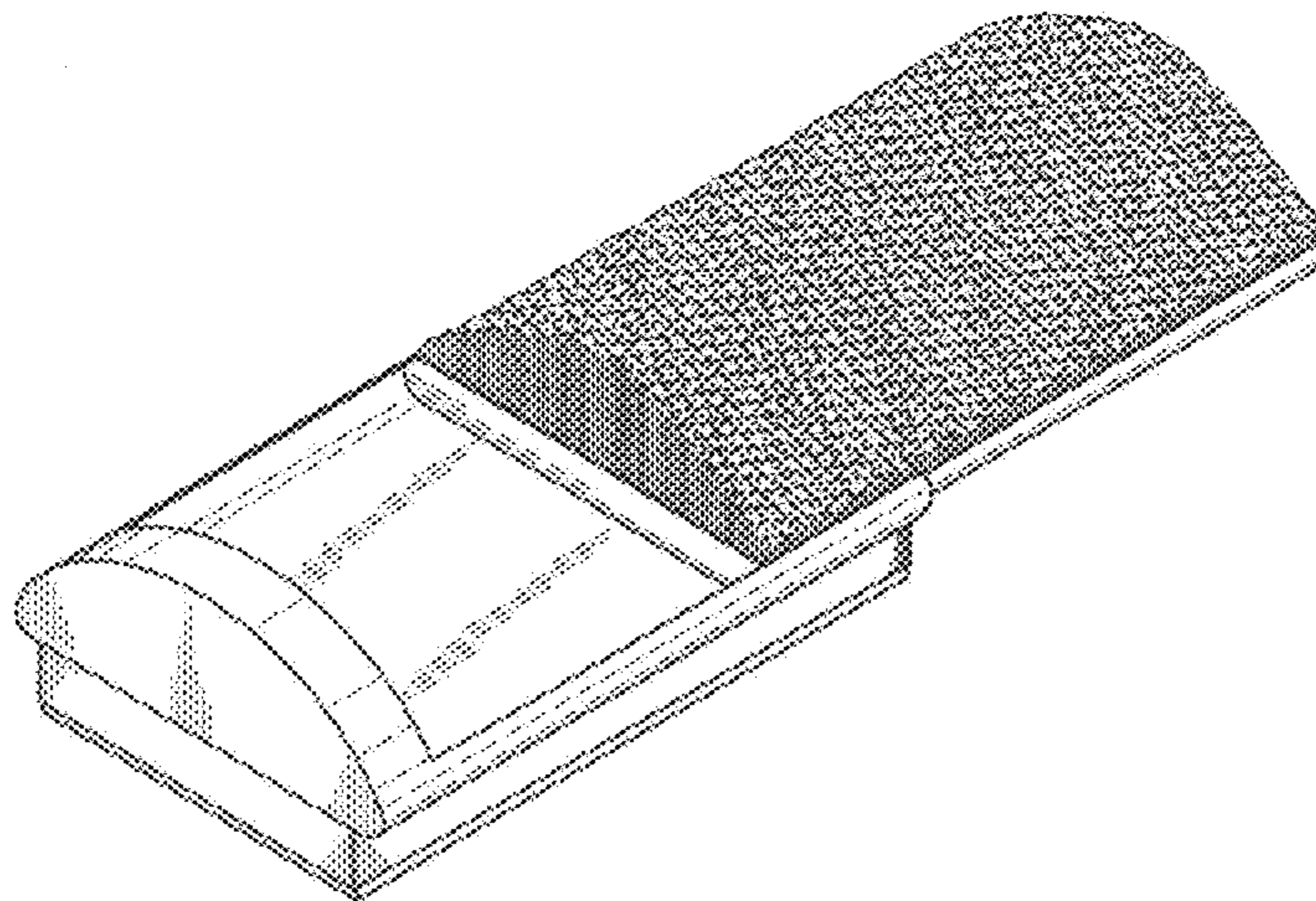
FIG. 6 is a left side elevational view of the scrub brush and caddy unit of the invention shown in FIG. 2.

FIG. 7 is a left end elevational view of the scrub brush and caddy unit of the invention shown in FIG. 2; and,

FIG. 8 is a right end elevational view of the scrub brush and caddy unit of the invention shown in FIG. 2.

The bristles are partially shown in FIGS. 2 and 3 for ease of illustration.

**1 Claim, 3 Drawing Sheets**



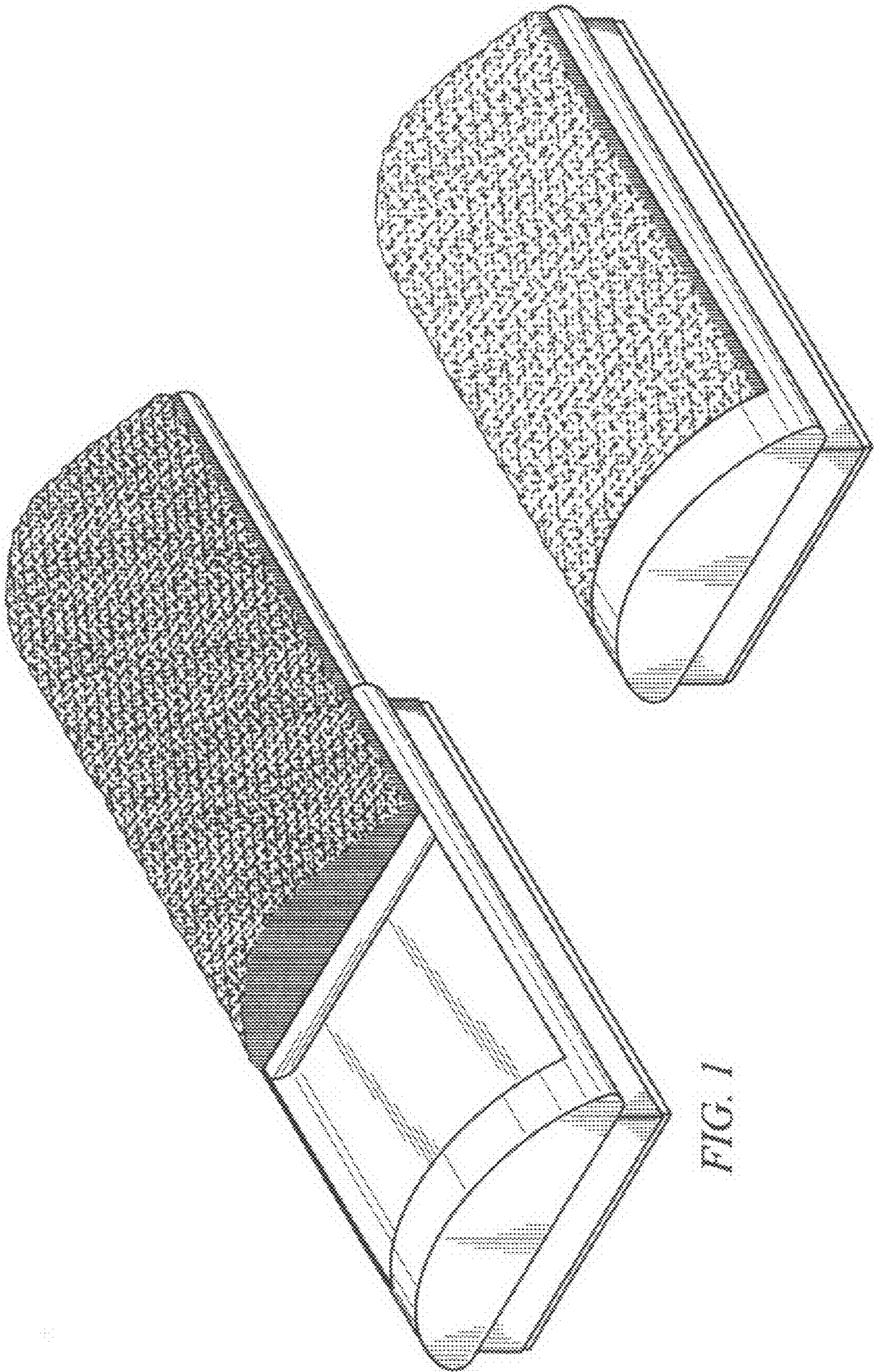


FIG. 1

FIG. 2



FIG. 4

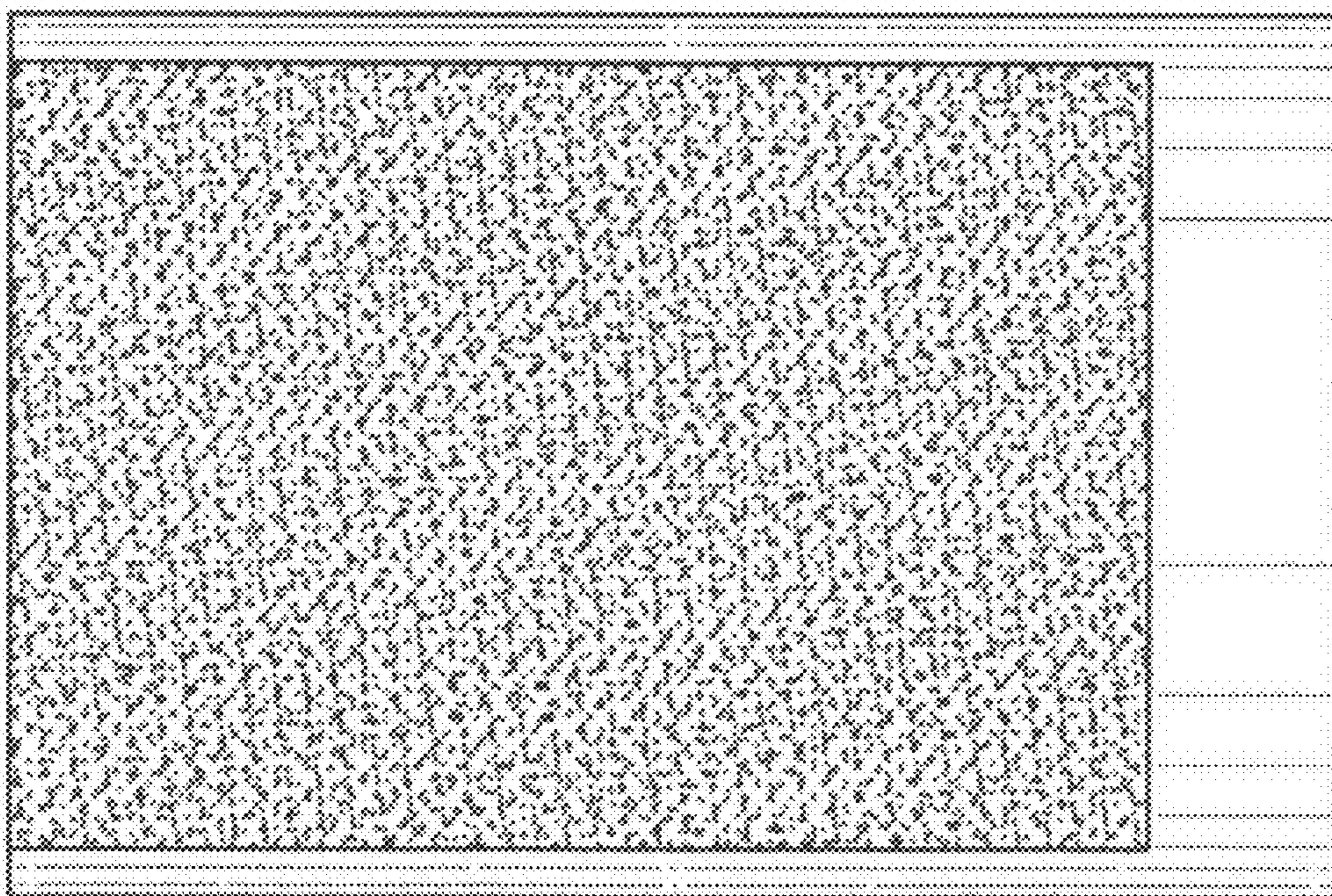


FIG. 3

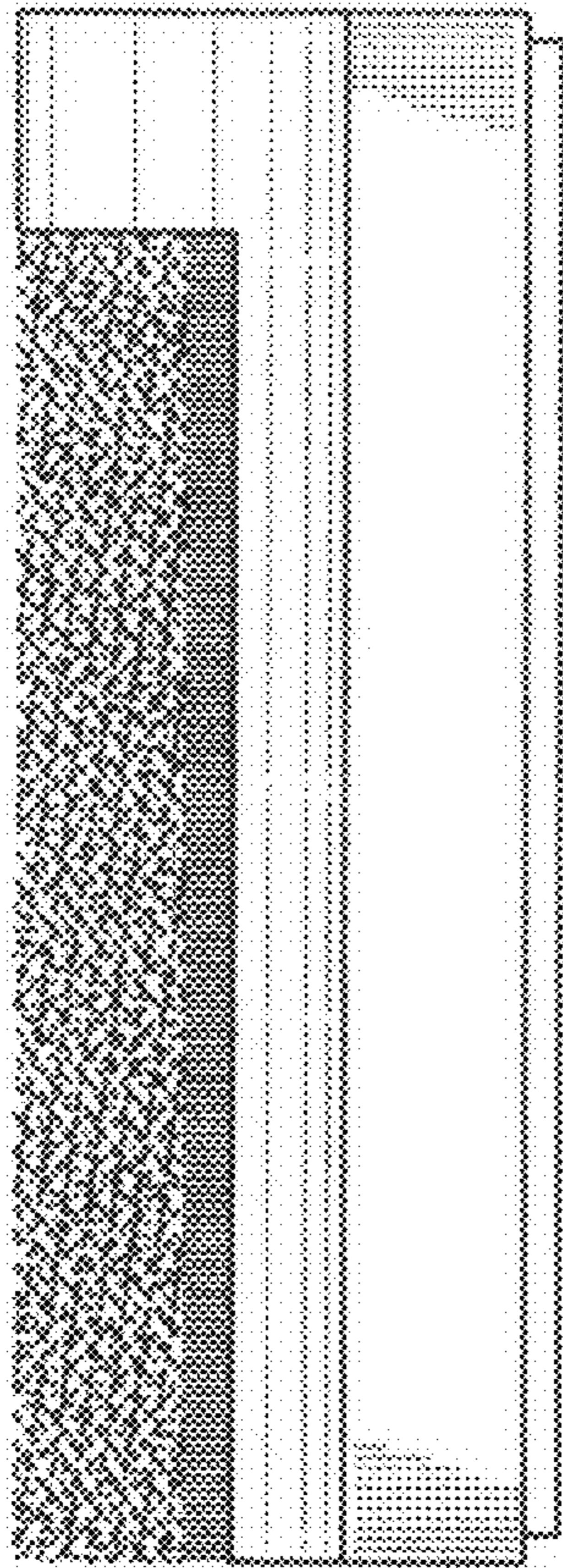


FIG. 5

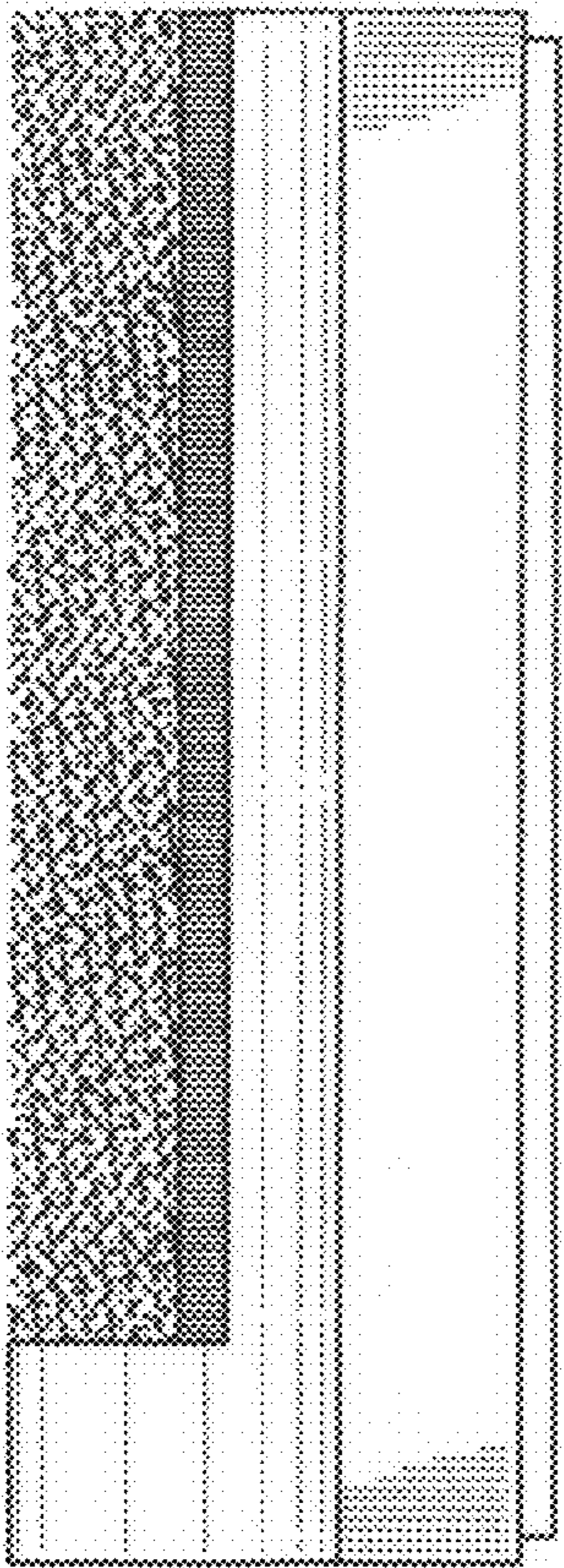


FIG. 6

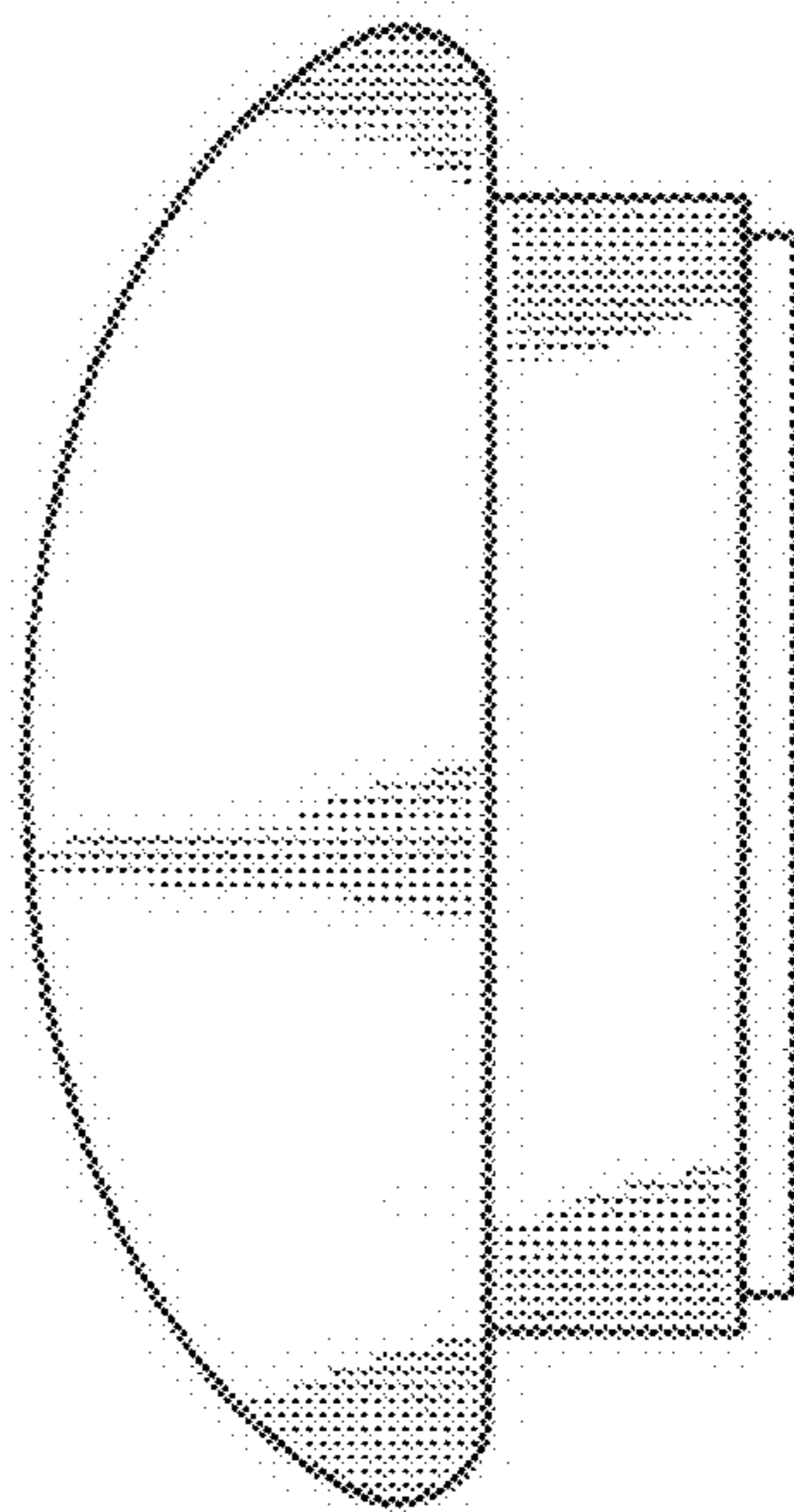


FIG. 7

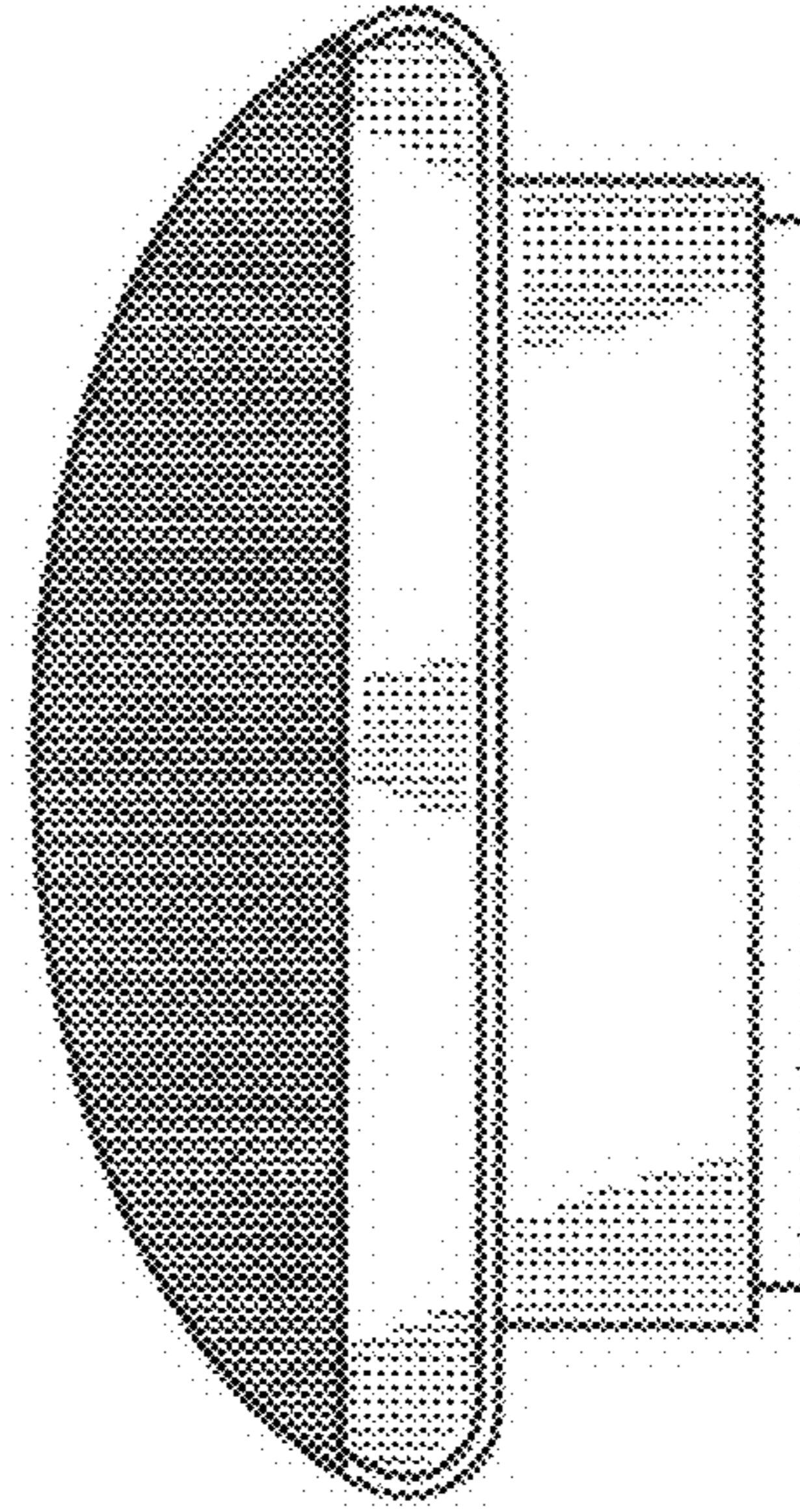


FIG. 8