

US00D620712S

(12) **United States Design Patent**
Cho

(10) **Patent No.:** **US D620,712 S**

(45) **Date of Patent:** **** Aug. 3, 2010**

(54) **DECORATIVE FRAME FOR TOOL BOX**

(76) **Inventor:** **Yao-Lin Cho**, No. 12, Fudong Rd.,
Da-an Township, Taichung County (TW)
43952

(**) **Term:** **14 Years**

(21) **Appl. No.:** **29/340,277**

(22) **Filed:** **Jul. 16, 2009**

(51) **LOC (9) Cl.** **03-01**

(52) **U.S. Cl.** **D3/321**

(58) **Field of Classification Search** D3/201,
D3/272, 273, 318, 321, 372, 323, 905; 190/19,
190/24, 25, 126, 100, 900; 220/639, 641,
220/643, 645, 654

See application file for complete search history.

(56) **References Cited**

U.S. PATENT DOCUMENTS

1,119,188	A *	12/1914	Wheary	215/200
D288,863	S *	3/1987	Vuitton	D3/289
5,180,126	A *	1/1993	Bennett	248/99
D351,502	S *	10/1994	Weir et al.	D3/272
5,433,303	A *	7/1995	Chen	190/107
D415,614	S *	10/1999	Akaike et al.	D3/276
6,047,841	A *	4/2000	Chen	220/7
D499,883	S *	12/2004	Perella et al.	D3/276

7,537,453	B2 *	5/2009	Morgan et al.	434/80
7,581,625	B2 *	9/2009	Cheng	190/102
2003/0121740	A1 *	7/2003	Cheng	190/25
2008/0121542	A1 *	5/2008	Chang	206/349

* cited by examiner

Primary Examiner—Prabhakar Deshmukh

(57) **CLAIM**

The ornamental design for a decorative frame for tool box, as shown and described.

DESCRIPTION

FIG. 1 is a perspective view of a decorative frame for tool box showing my new design;

FIG. 2 is a front elevational view of FIG. 1;

FIG. 3 is a rear elevational view of FIG. 1;

FIG. 4 is a right side view of FIG. 1;

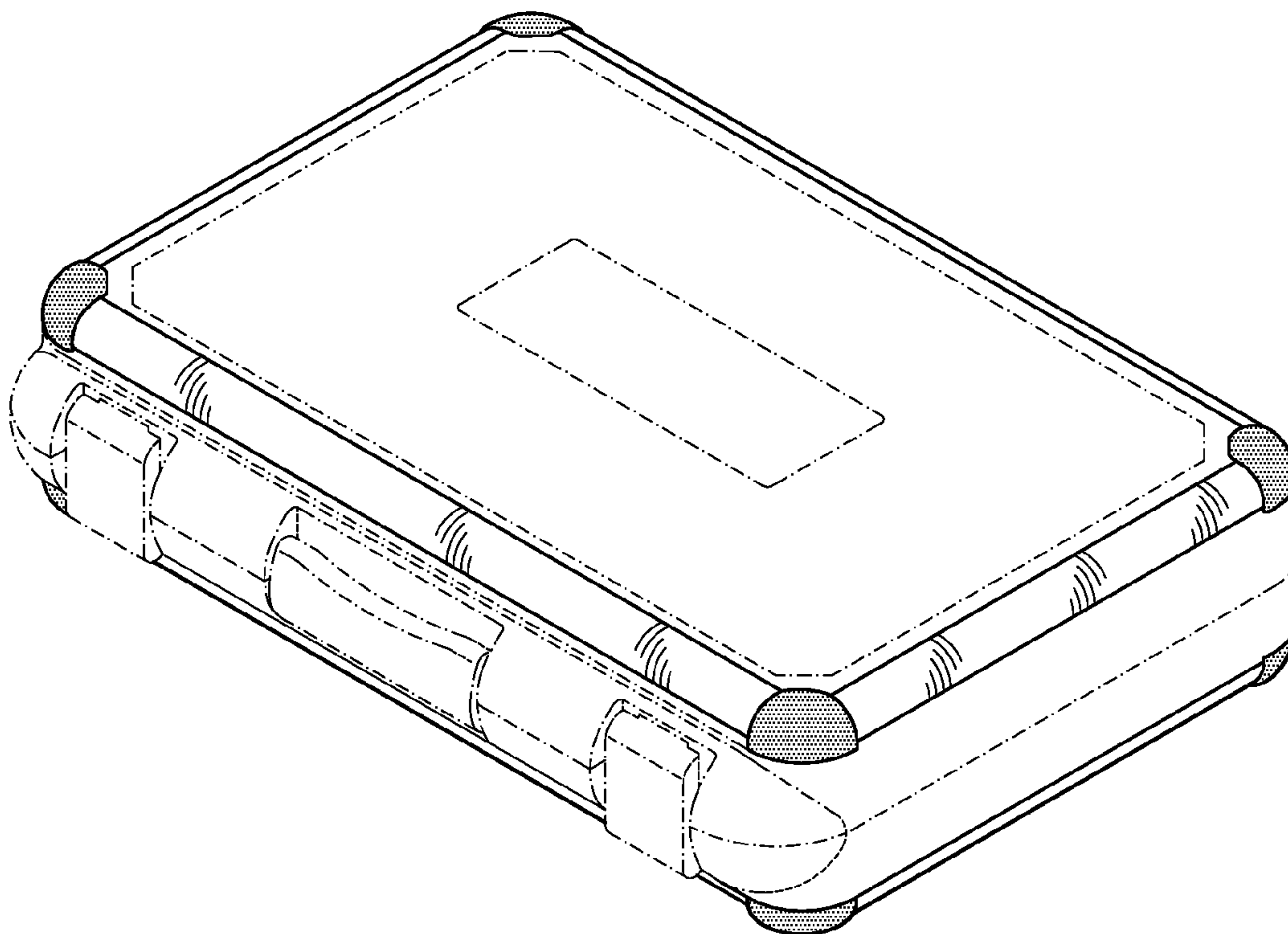
FIG. 5 is a left side view of FIG. 1;

FIG. 6 is a top plain view thereof; and,

FIG. 7 is a bottom plain view thereof.

The broken lines in FIGS. 1-7 depict unclaimed portions of the decorative frame for tool box for illustrative purposes only, and form no part of the claimed design.

1 Claim, 4 Drawing Sheets



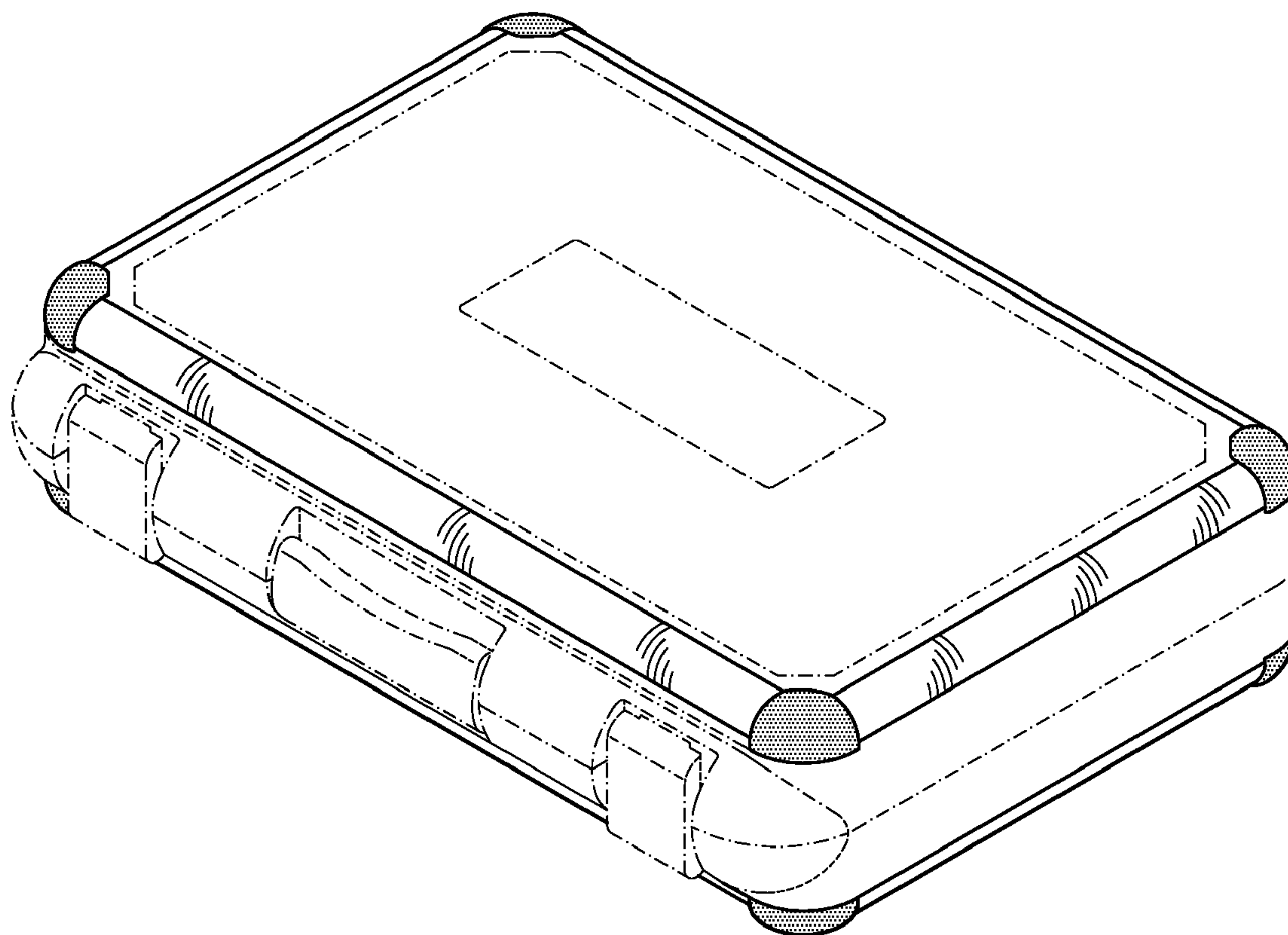


FIG. 1

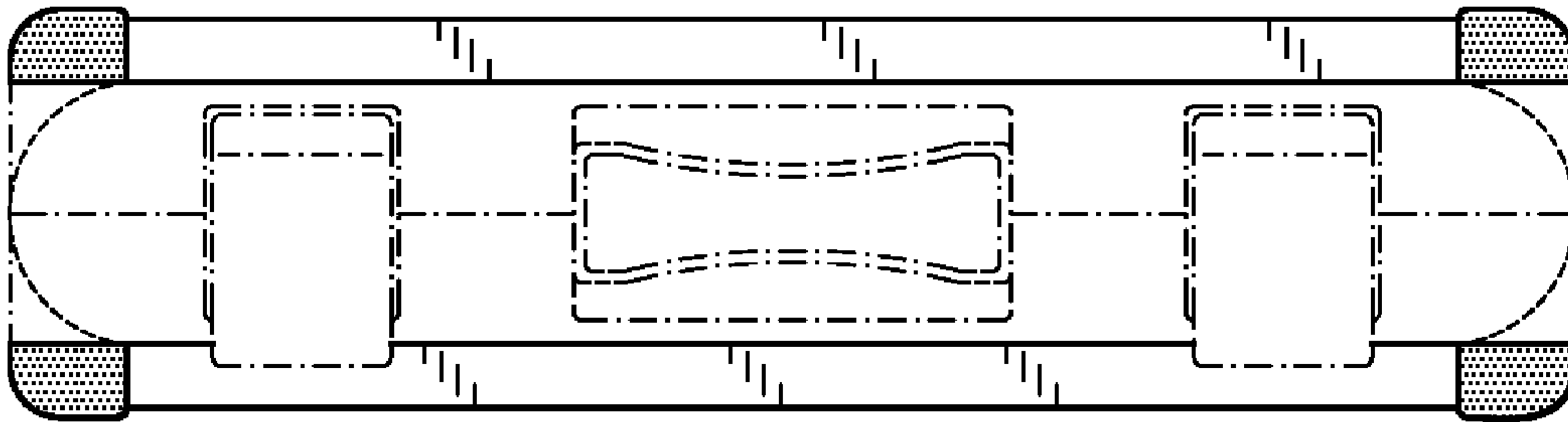


FIG. 2

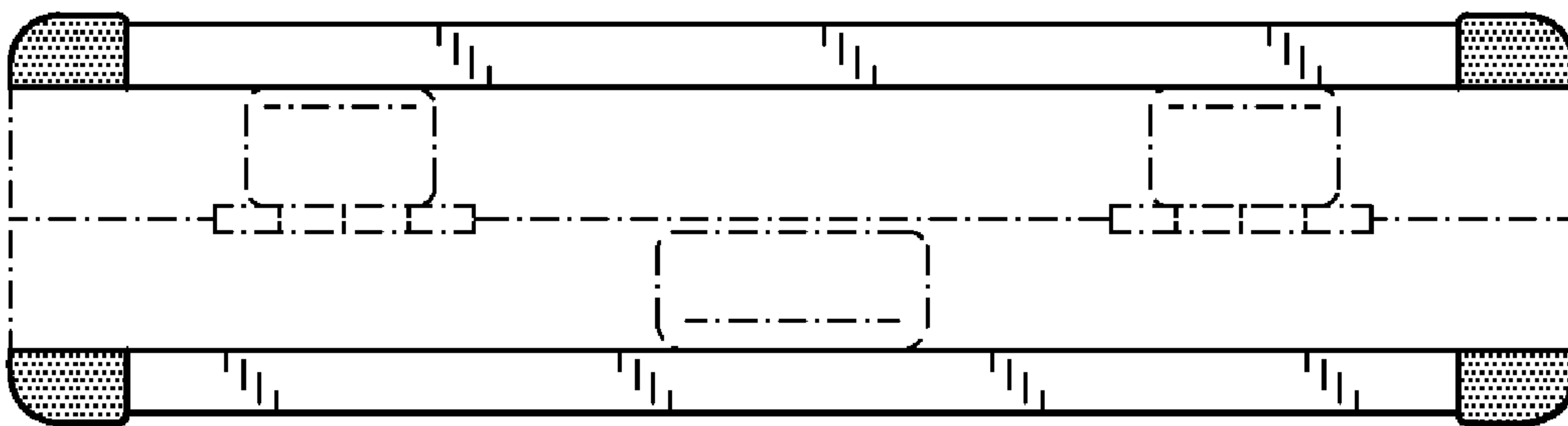


FIG. 3

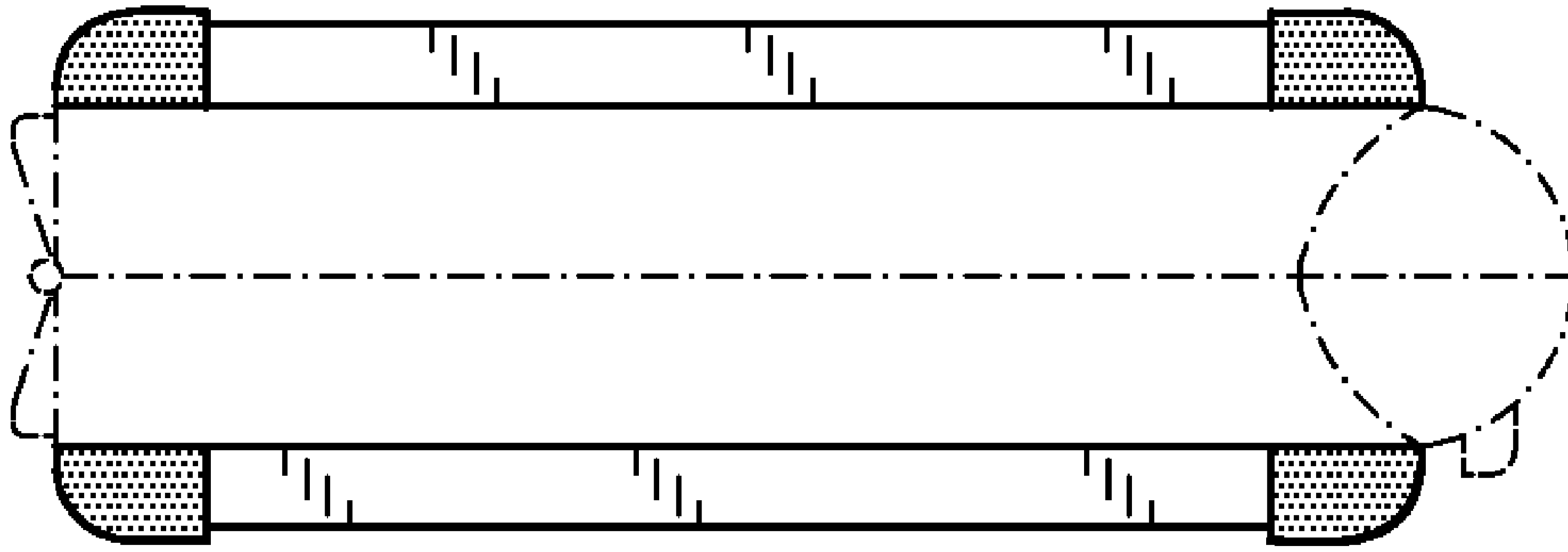


FIG. 4

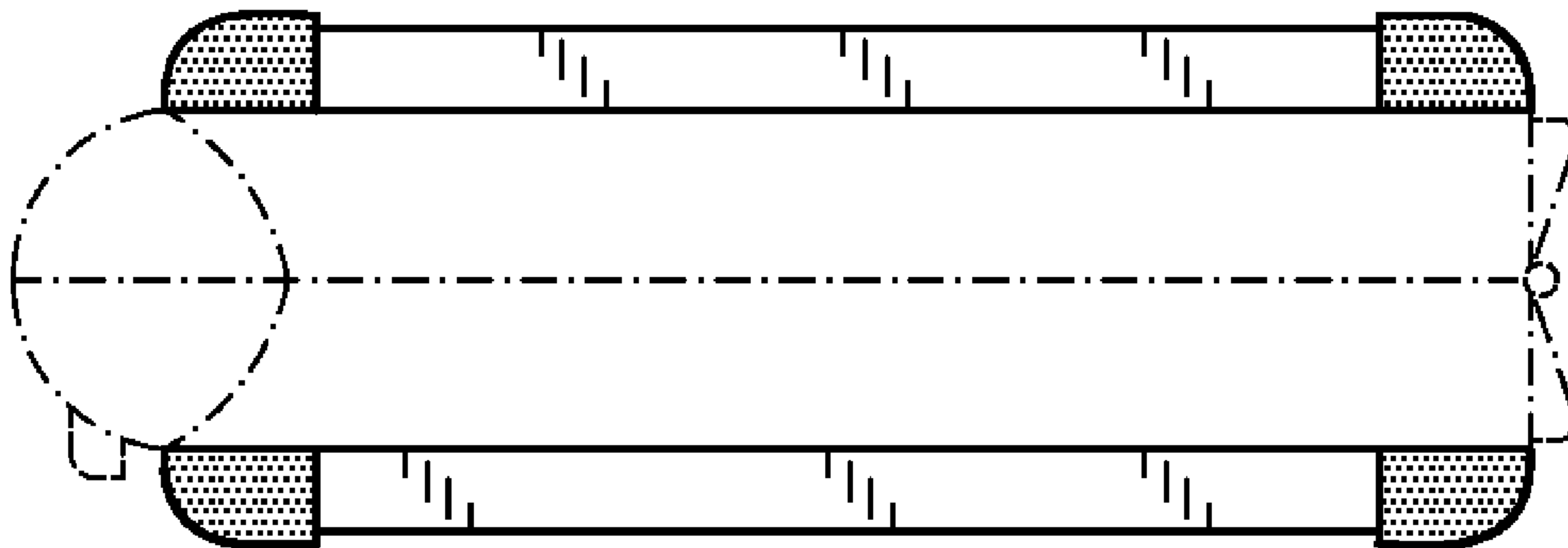


FIG. 5

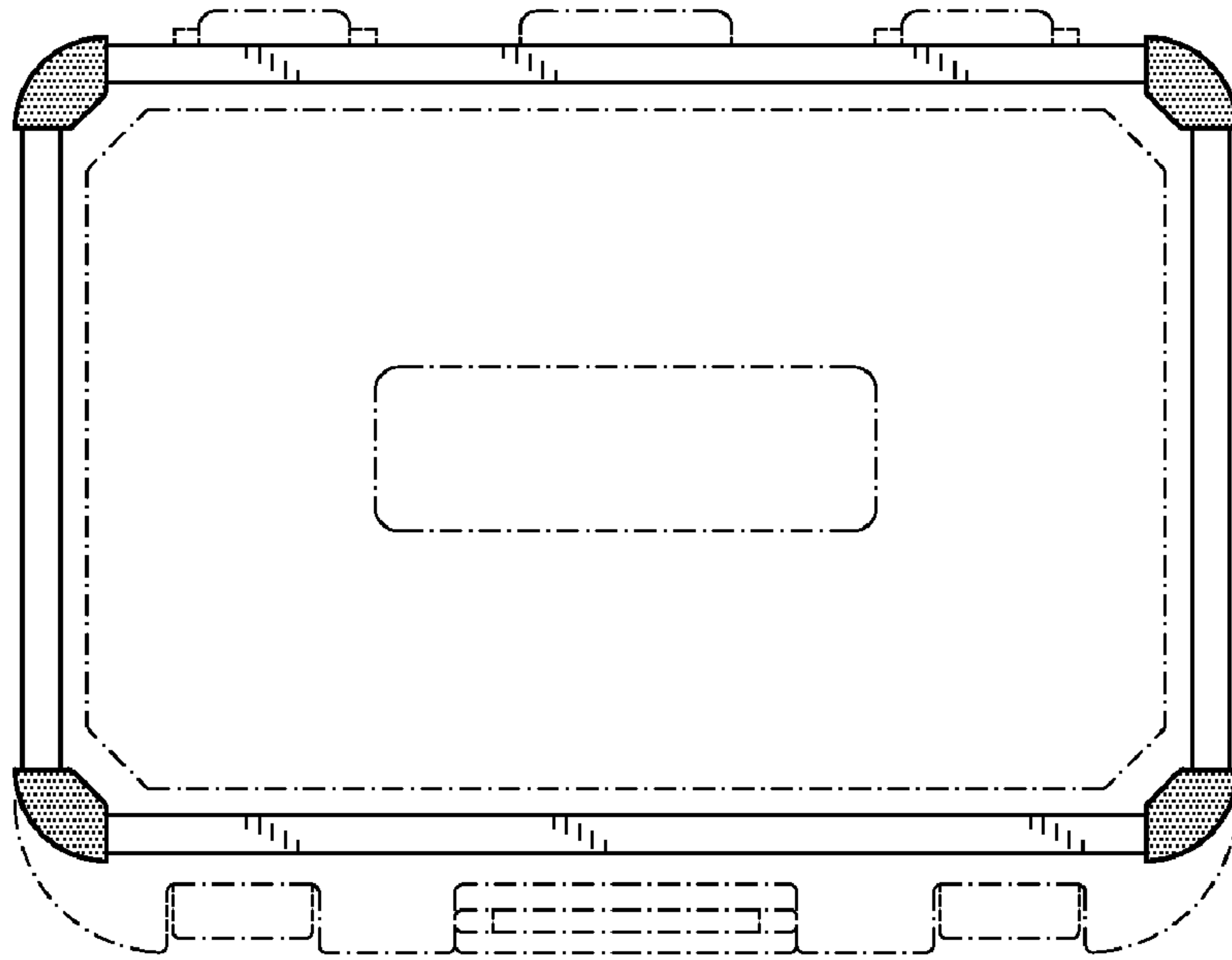


FIG. 6

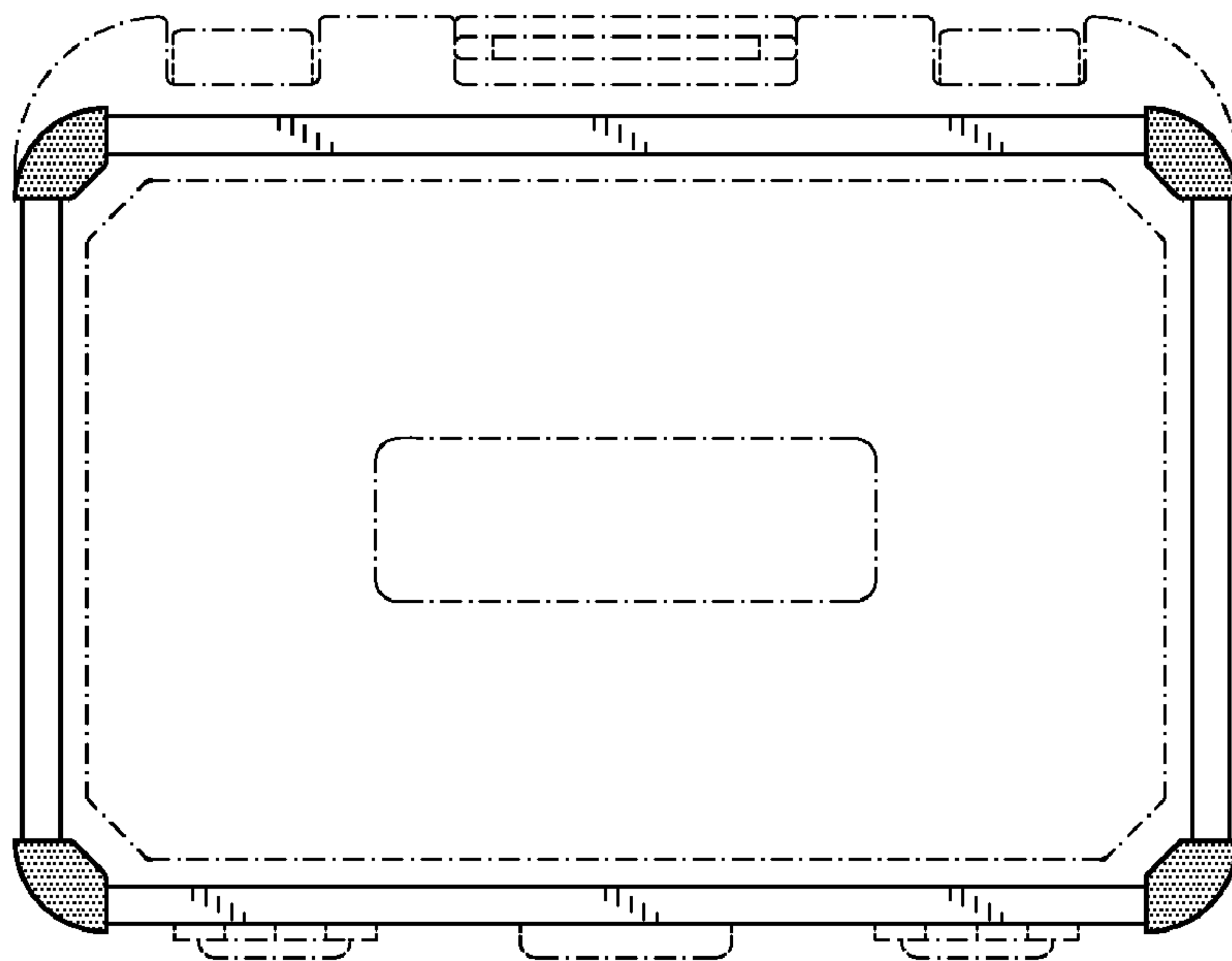


FIG. 7