

US00D620710S

(12) **United States Design Patent**  
**Hertaus**

(10) **Patent No.:** **US D620,710 S**

(45) **Date of Patent:** **\*\* \*Aug. 3, 2010**

(54) **SINGLE TRAY CONTAINER**

(75) Inventor: **Alan R. Hertaus**, LeSueur, MN (US)

(73) Assignee: **Vision Home Products, Inc.**, Le Sueur, MN (US)

(\* ) Notice: This patent is subject to a terminal disclaimer.

(\*\*) Term: **14 Years**

(21) Appl. No.: **29/352,271**

(22) Filed: **Dec. 18, 2009**

(51) **LOC (9) Cl.** ..... **03-01**

(52) **U.S. Cl.** ..... **D3/306**

(58) **Field of Classification Search** ..... D3/303-314;  
D19/75, 78, 86, 90, 91, 99, 100; D6/566,  
D6/567, 569, 512, 553, 525, 514; 211/10,  
211/11, 13.1, 45, 50, 52, 55, 87.01, 90.03,  
211/126.9, 126.13, 88.01, 41.4, 86.1, 134,  
211/126.1, 181.1; 220/456, 9.4, 6, 7, 600,  
220/485, 488; 206/202, 513, 577

See application file for complete search history.

(56) **References Cited**

U.S. PATENT DOCUMENTS

D15,429 S \* 10/1884 Ayres ..... D30/129

D158,565 S \* 5/1950 Engstrom ..... D3/306  
D158,566 S \* 5/1950 Endstrom ..... D3/306  
2,732,096 A \* 1/1956 Siciliano ..... 220/769  
D180,037 S \* 4/1957 Singiser ..... D3/316  
3,979,856 A \* 9/1976 Belcher ..... 47/76  
4,062,148 A \* 12/1977 Edmonds et al. .... 47/76  
4,250,664 A \* 2/1981 Remke ..... 47/76  
4,287,840 A \* 9/1981 Weidner ..... 111/101  
4,403,447 A \* 9/1983 Braun ..... 47/76  
D277,922 S \* 3/1985 Bentson ..... D7/672  
D281,942 S \* 12/1985 Bentson ..... D7/674  
D578,762 S \* 10/2008 Smith et al. .... D3/306

\* cited by examiner

*Primary Examiner*—T. Chase Nelson

*Assistant Examiner*—Ania K Dworzecka

(74) *Attorney, Agent, or Firm*—Haugen Law Firm PLLP

(57) **CLAIM**

The ornamental design for a single tray container, as shown and described.

**DESCRIPTION**

FIG. 1 is a top perspective view of the design;

FIG. 2 is a side elevational view of the design;

FIG. 3 is a top plan view of the design; and,

FIG. 4 is a bottom plan view of the design.

**1 Claim, 2 Drawing Sheets**

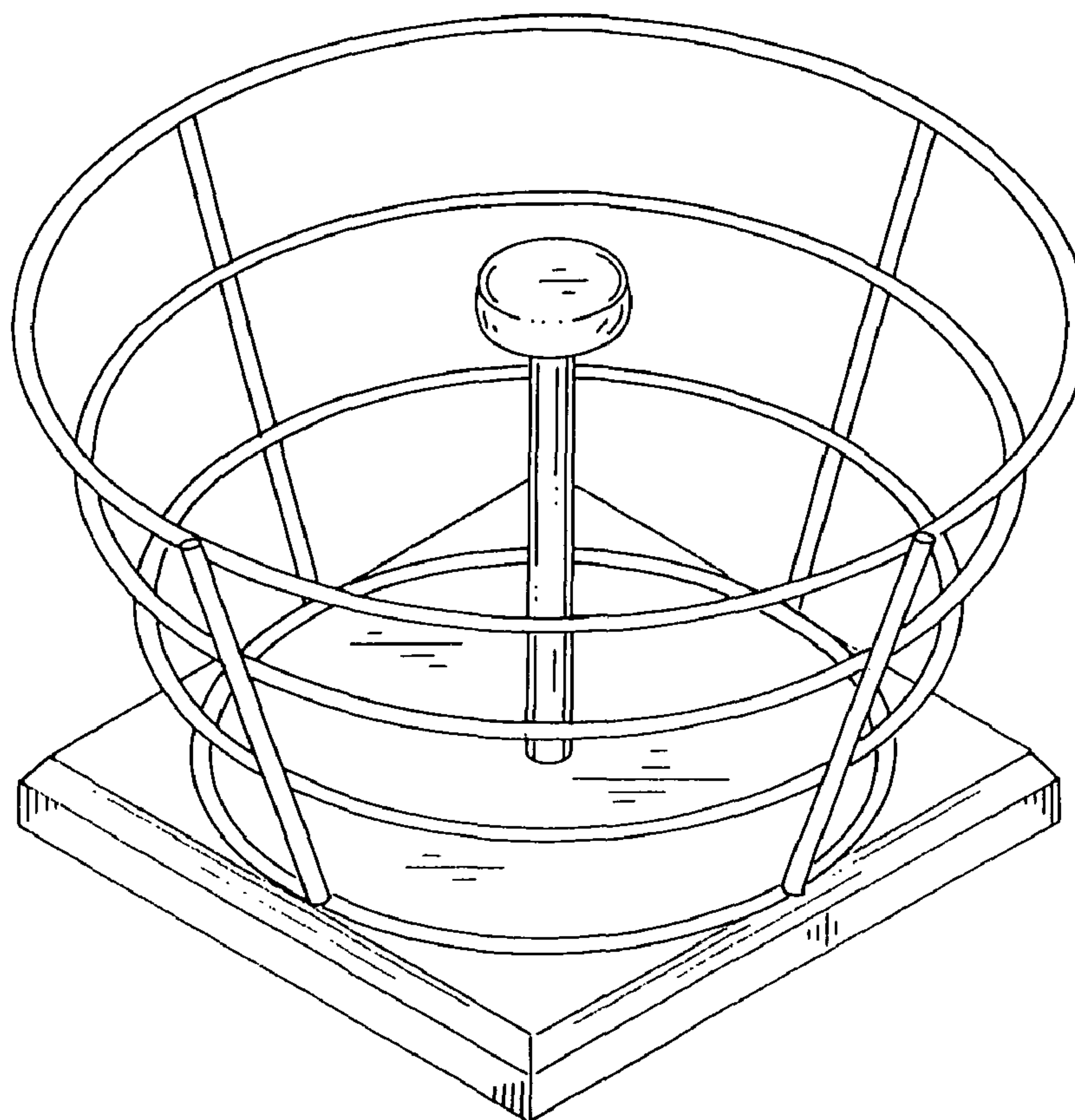


Fig. -1

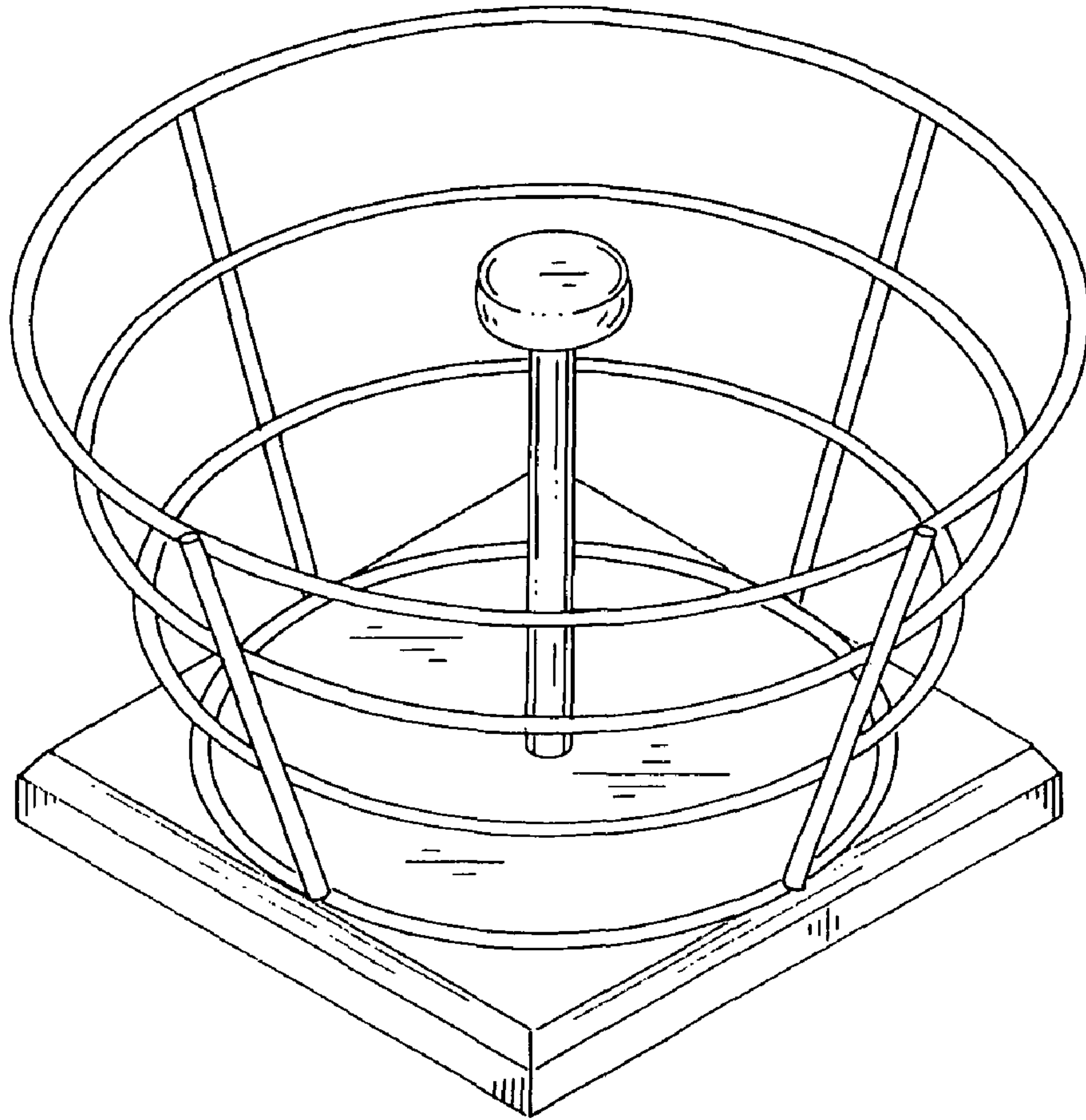
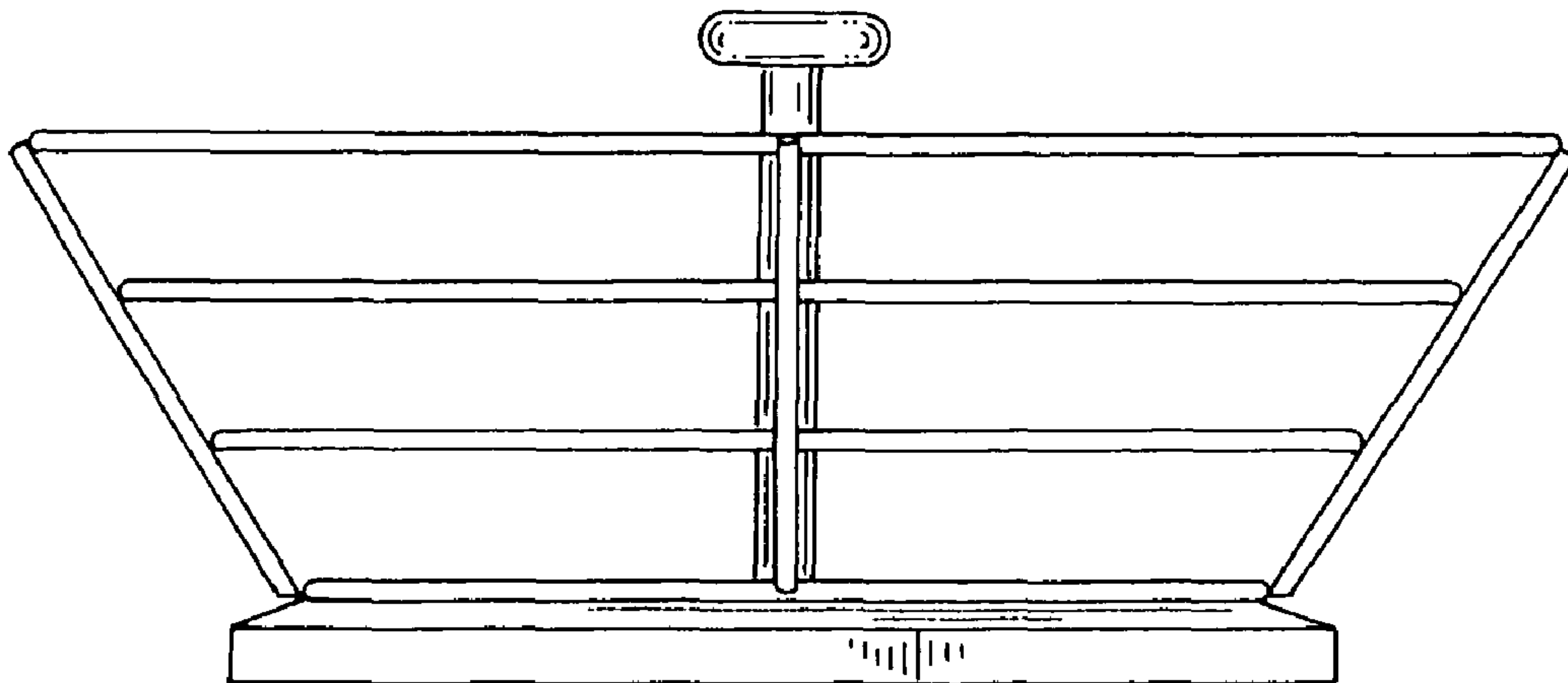
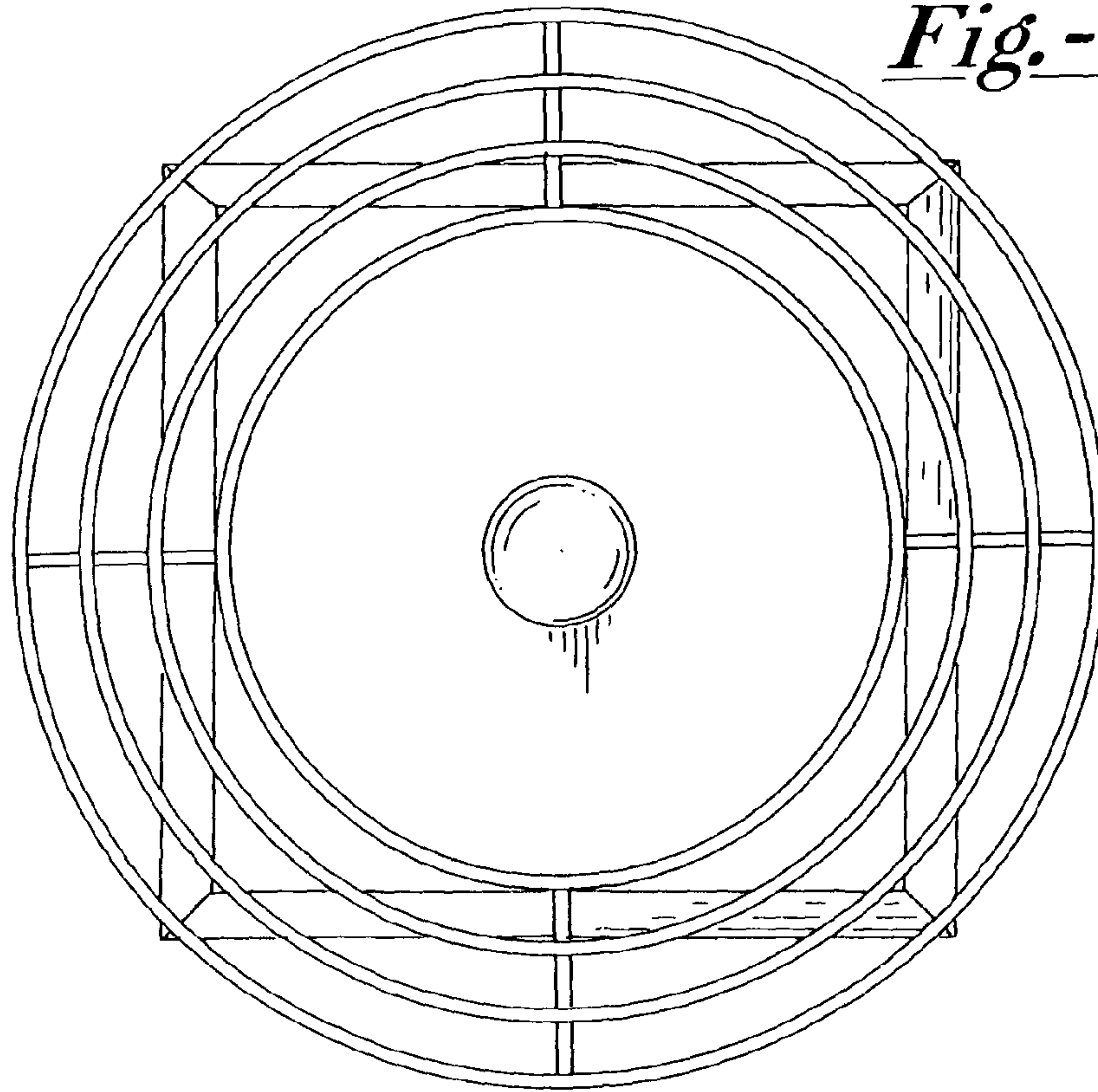


Fig. -2



*Fig.-3*



*Fig.-4*

