



US00D620708S

(12) **United States Design Patent**  
**Sanz**

(10) **Patent No.:** **US D620,708 S**

(45) **Date of Patent:** **\*\* Aug. 3, 2010**

(54) **DUFFEL BAG**

(75) **Inventor:** **Victor Sanz**, Whitehouse Station, NJ  
(US)

(73) **Assignee:** **Tumi, Inc.**, South Plainfield, NJ (US)

(\*\*) **Term:** **14 Years**

(21) **Appl. No.:** **29/349,094**

(22) **Filed:** **Mar. 9, 2010**

(51) **LOC (9) Cl.** ..... **03-01**

(52) **U.S. Cl.** ..... **D3/276; D3/289**

(58) **Field of Classification Search** ..... D3/272,  
D3/273, 274, 276, 278, 279, 283, 284, 285,  
D3/286, 287, 289, 293, 299, 301, 902, 904;  
190/100, 102, 107, 108, 119, 903; 206/287,  
206/287.1

See application file for complete search history.

(56) **References Cited**

**U.S. PATENT DOCUMENTS**

2,001,807	A *	5/1935	Wheary	.....	206/292
D268,629	S *	4/1983	Stark	.....	D3/286
D281,646	S *	12/1985	Bomes et al.	.....	D3/286
D281,649	S *	12/1985	Bomes et al.	.....	D3/287
D304,264	S *	10/1989	Peregrine et al.	.....	D3/289
D311,452	S *	10/1990	Ehret	.....	D3/286
D317,081	S *	5/1991	King	.....	D3/287
D329,329	S *	9/1992	Bomes et al.	.....	D3/279
5,413,199	A *	5/1995	Clement	.....	190/108
D368,160	S *	3/1996	Carretta	.....	D3/286
D416,680	S *	11/1999	Latshaw	.....	D3/286
D469,252	S *	1/2003	Su	.....	D3/289
D474,336	S *	5/2003	Nally	.....	D3/254

6,604,617	B2 *	8/2003	Davis et al.	.....	190/107
6,619,447	B1 *	9/2003	Garcia et al.	.....	190/108
D528,792	S *	9/2006	Marttila	.....	D3/289
7,150,345	B2 *	12/2006	Redzisz	.....	190/111
D548,966	S *	8/2007	Aliberti et al.	.....	D3/283

\* cited by examiner

*Primary Examiner*—Elizabeth A Albert

*Assistant Examiner*—Karen E Eldridge Powers

(74) *Attorney, Agent, or Firm*—Charles E. Baxley

(57) **CLAIM**

I claim the ornamental design for a duffel bag, as shown and described.

**DESCRIPTION**

FIG. 1 is a downward frontward rightward perspective view of a duffel bag according to our new design;

FIG. 2 is a downward rearward leftward perspective view thereof;

FIG. 3 is a front elevational view thereof;

FIG. 4 is a top plan view thereof;

FIG. 5 is a rear elevational view thereof;

FIG. 6 is a bottom plan view thereof;

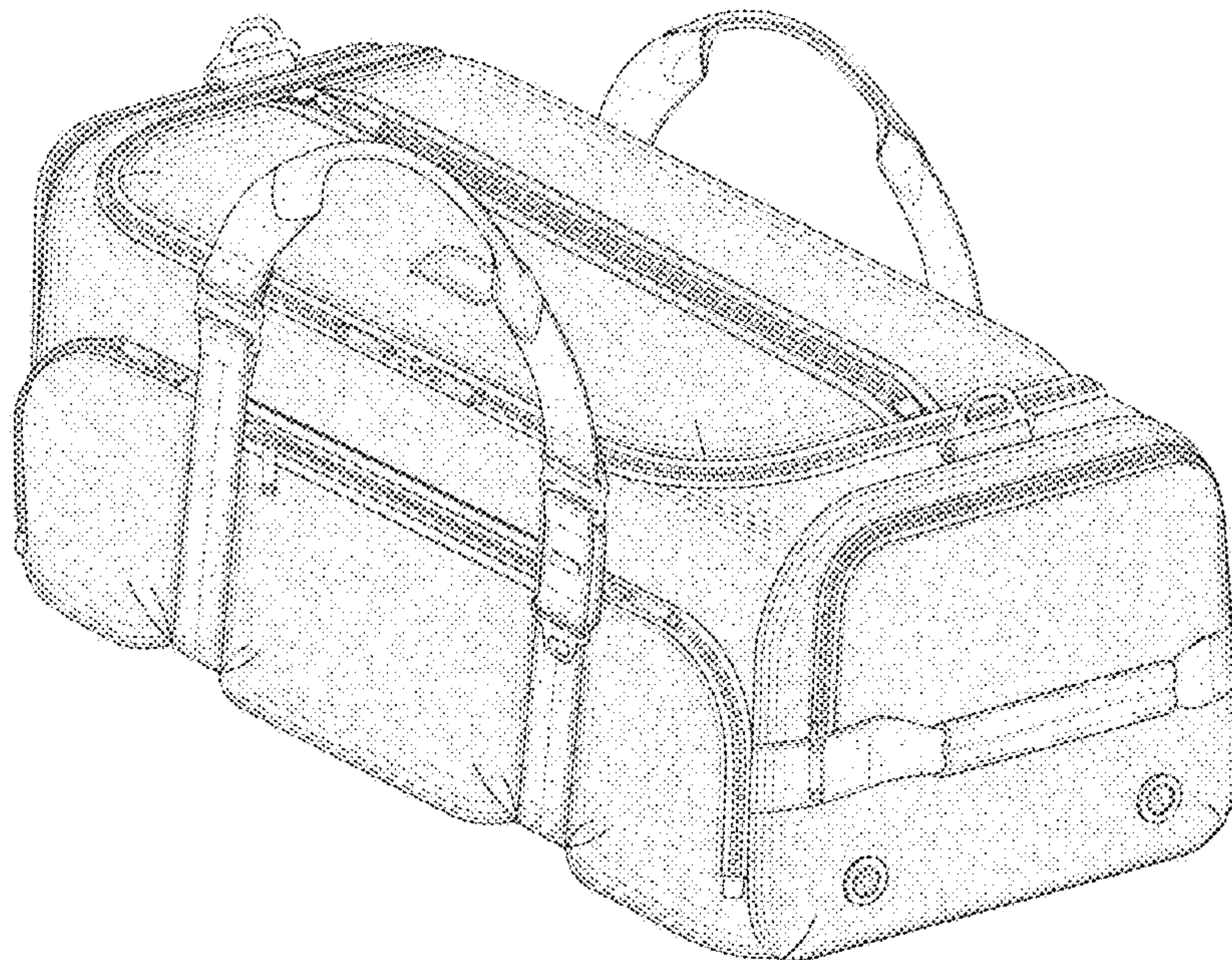
FIG. 7 is a right elevational view thereof; and,

FIG. 8 is a left elevational view thereof.

The uniformly-segmented broken lines shown on the straps, handles and the rectangular tag on the top flap in the drawings illustrate stitching and form a part of the claimed design.

The stippling shown in the drawings illustrates color contrast.

**1 Claim, 7 Drawing Sheets**





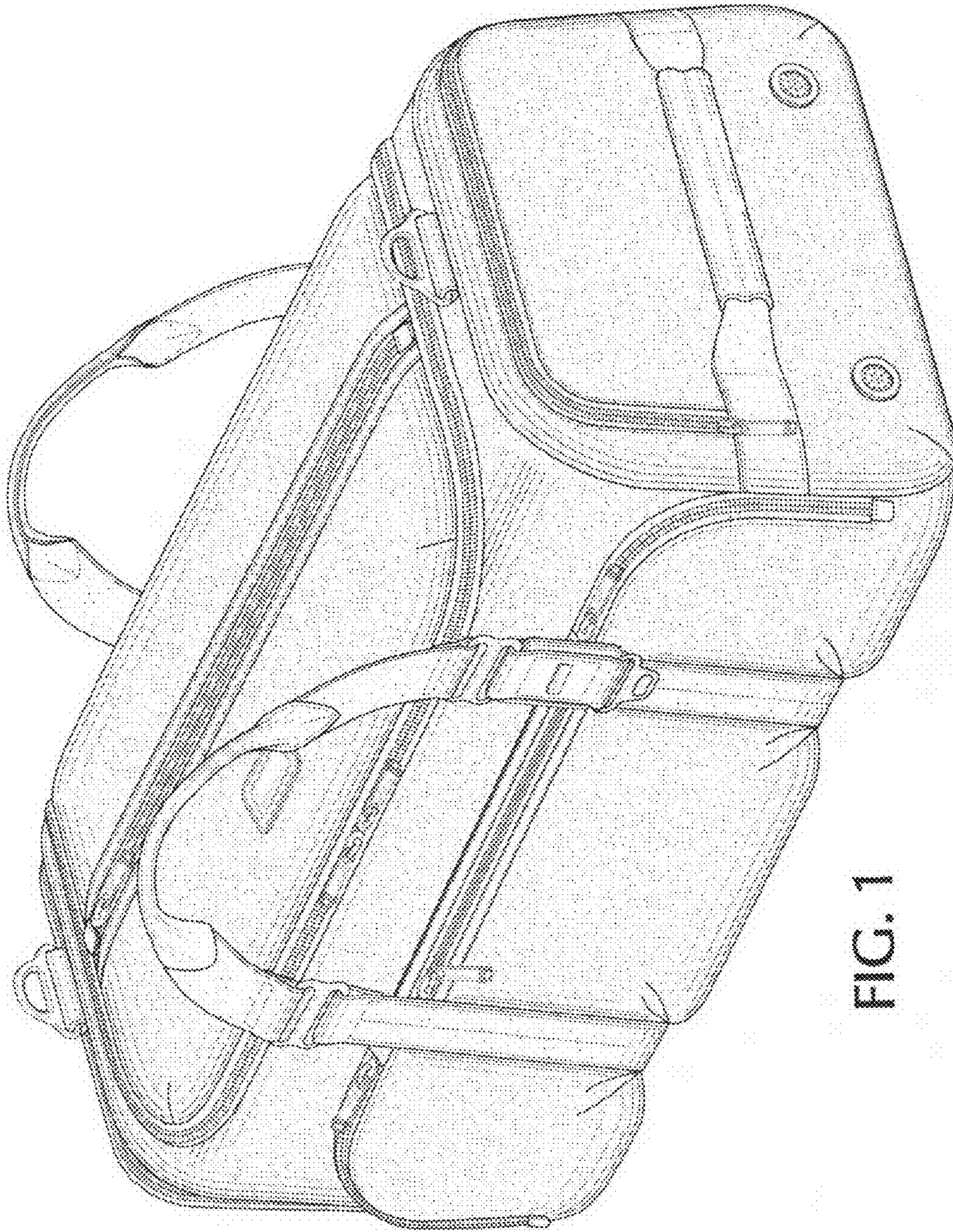


FIG. 1



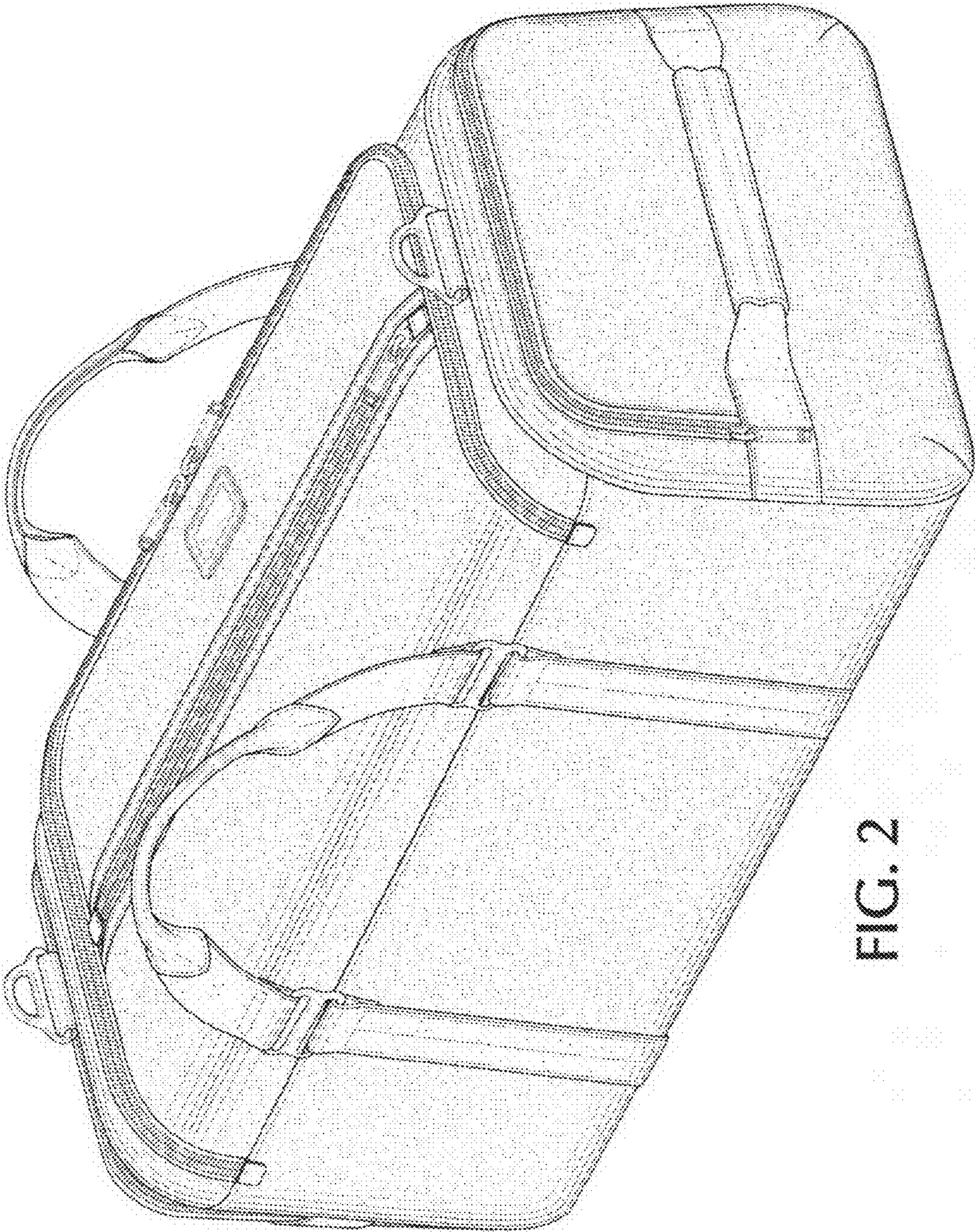


FIG. 2



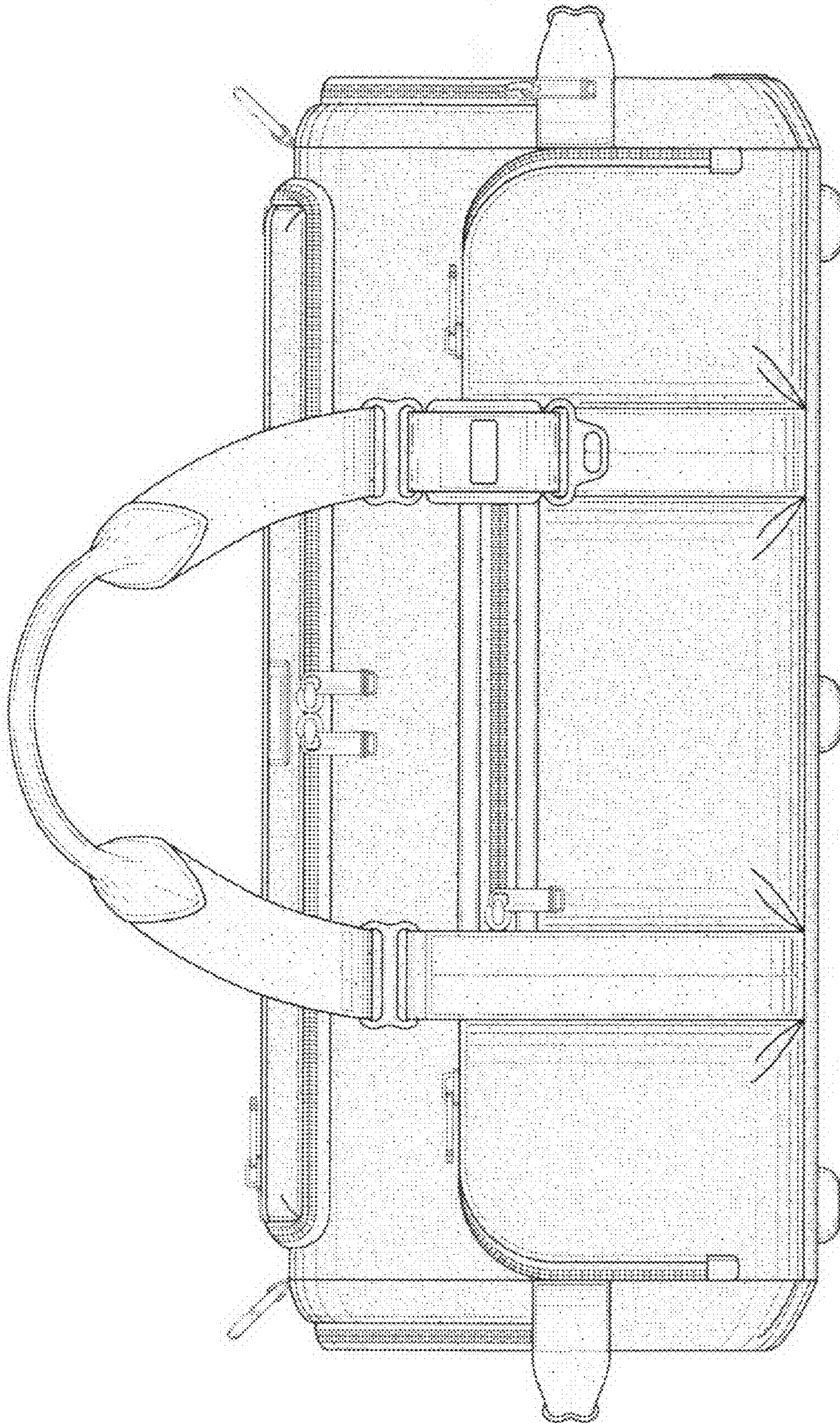


FIG. 3



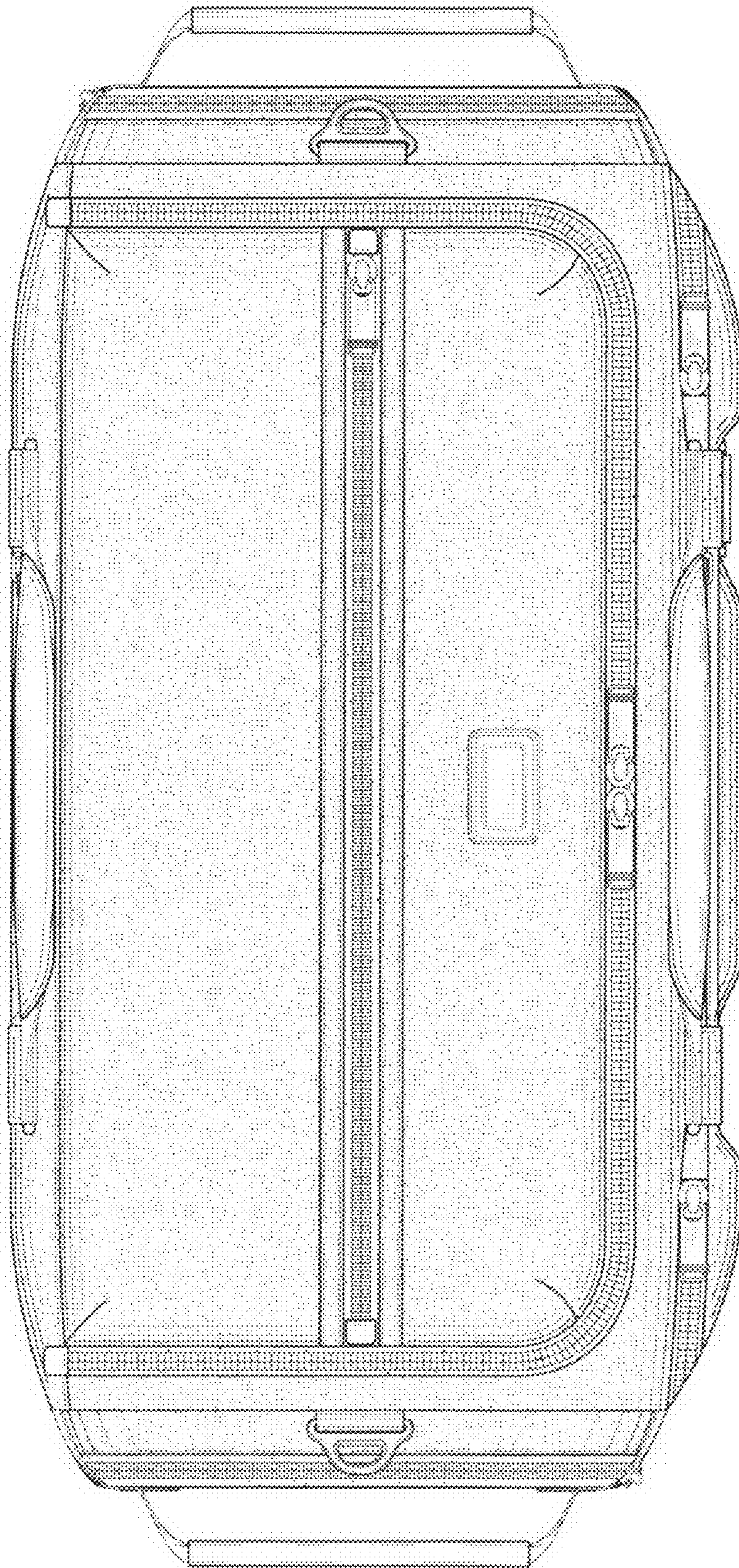


FIG. 4



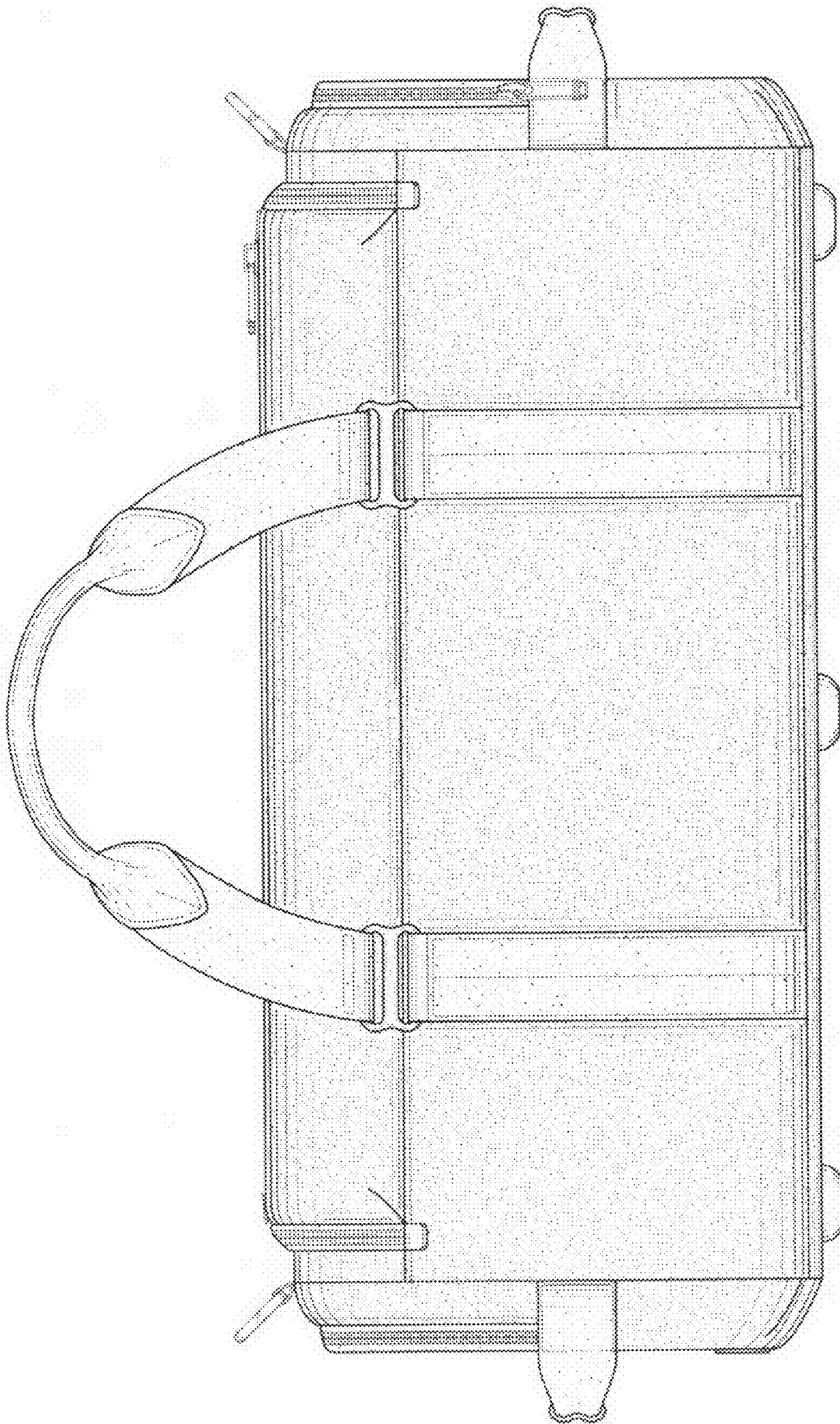


FIG. 5



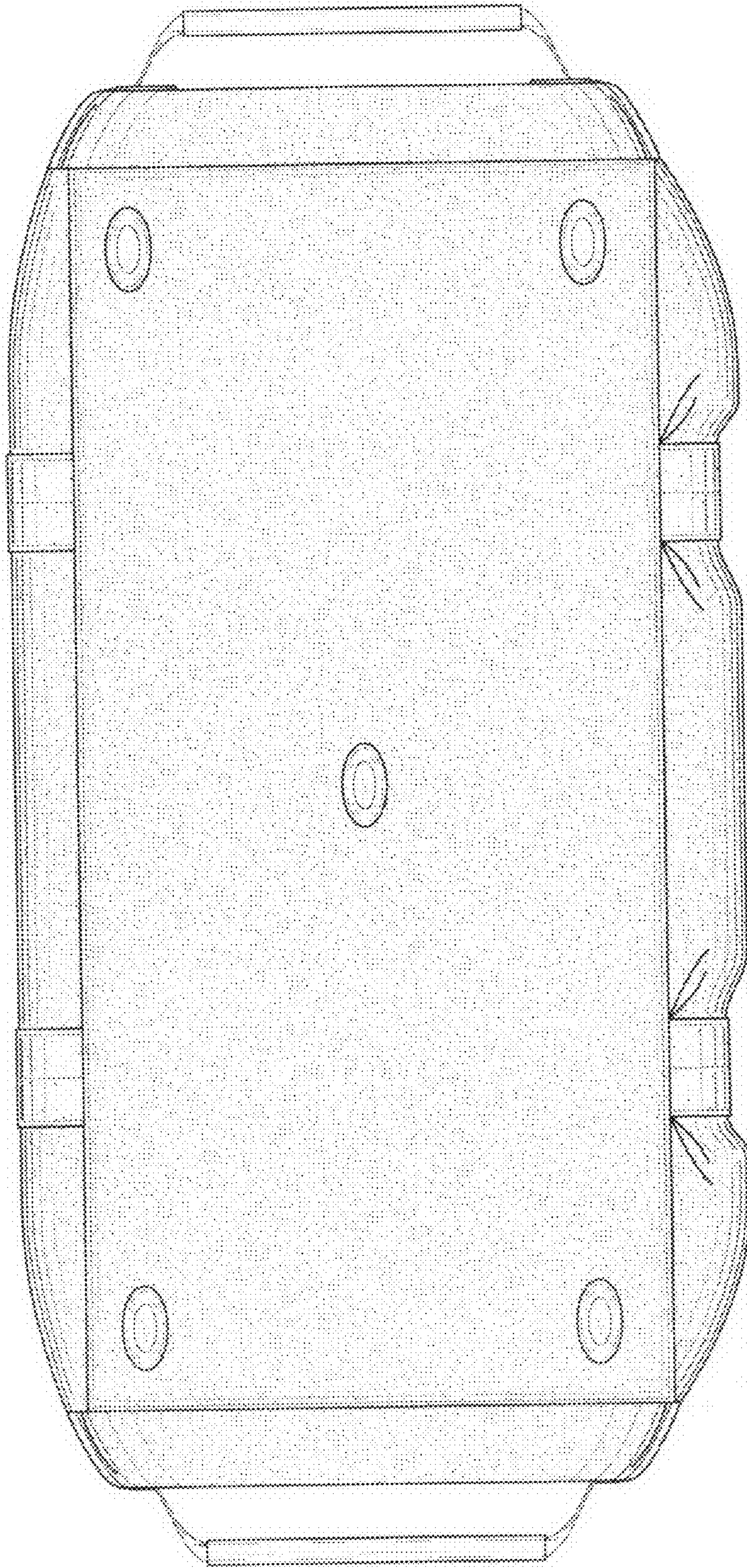


FIG. 6



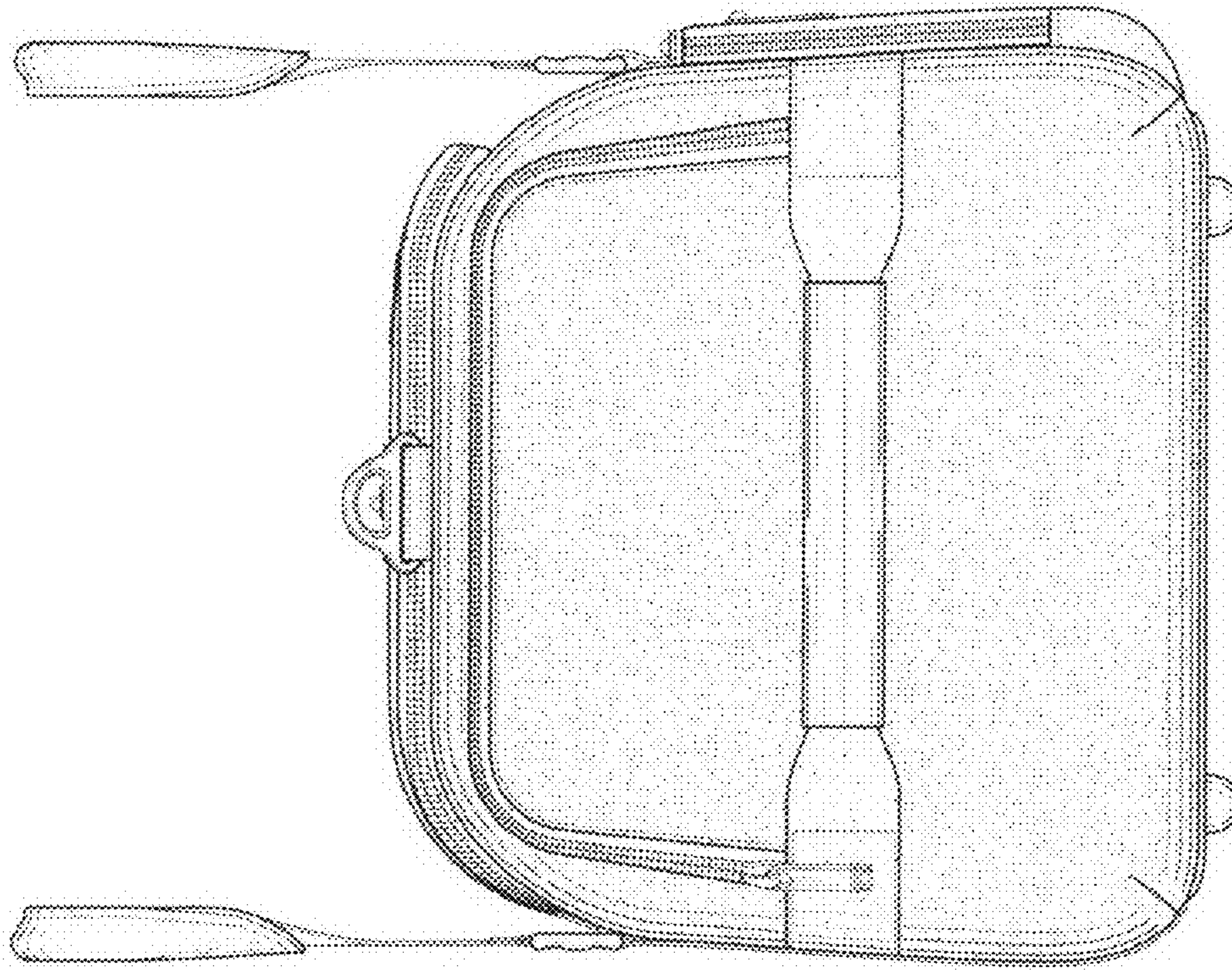


FIG. 8

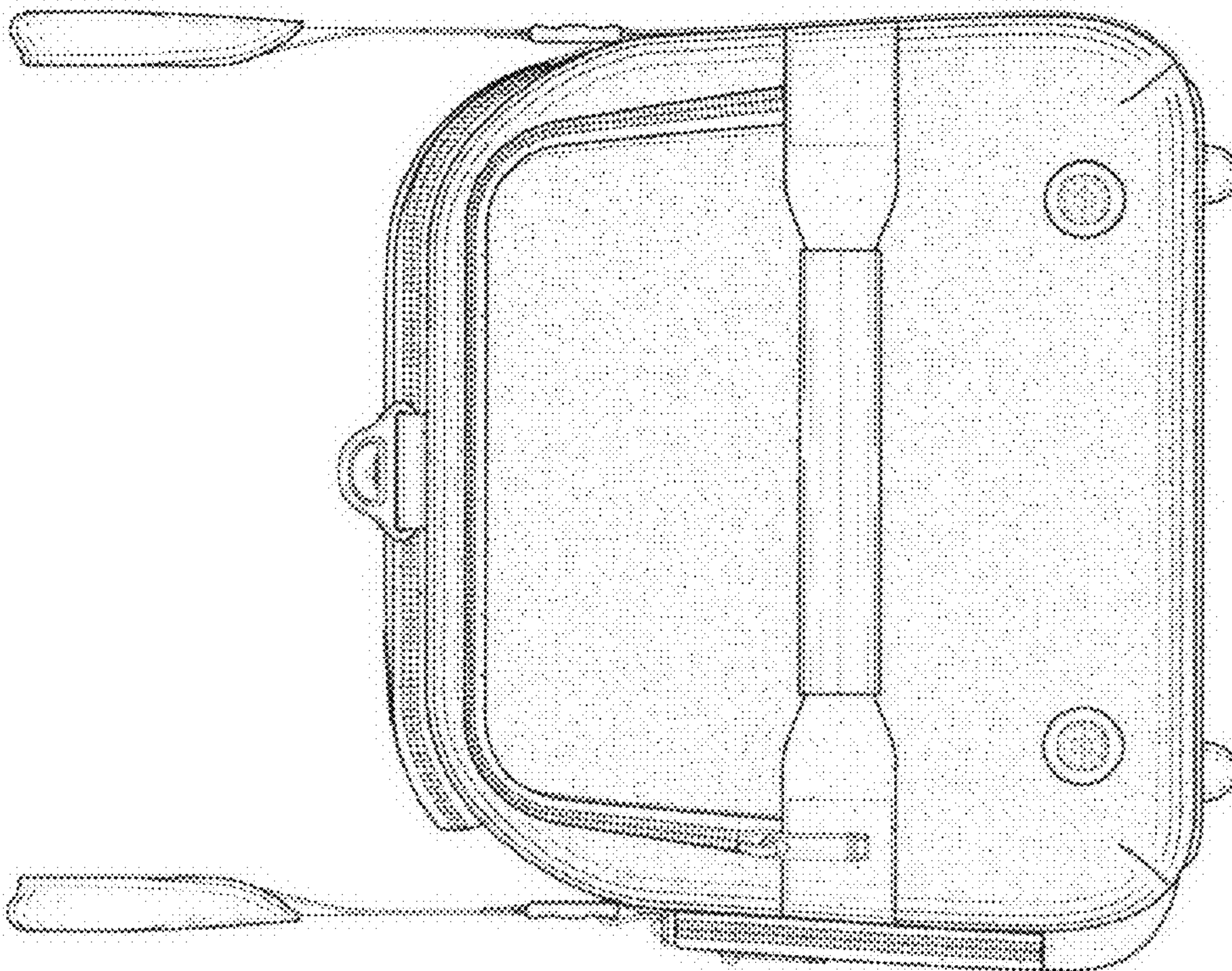


FIG. 7