



US00D620706S

(12) **United States Design Patent**
Wagner, II

(10) **Patent No.:** **US D620,706 S**

(45) **Date of Patent:** **** Aug. 3, 2010**

(54) **ARMBAND CARRIER WITH WINDOW**

Primary Examiner—Catherine R Oliver

(74) *Attorney, Agent, or Firm*—Sand & Sebolt

(75) Inventor: **Richard S. Wagner, II**, Loveland, OH (US)

(57) **CLAIM**

(73) Assignee: **Tune Belt, Inc.**, Cincinnati, OH (US)

The ornamental design for the armband carrier with window, as shown and described.

(**) Term: **14 Years**

(21) Appl. No.: **29/354,046**

DESCRIPTION

(22) Filed: **Jan. 19, 2010**

(51) **LOC (9) Cl.** **03-01**

(52) **U.S. Cl.** **D3/226**

(58) **Field of Classification Search** D3/226,
D3/215, 221, 224, 218, 230, 232–234; 224/219,
224/222, 236, 240, 267; 2/169–170

See application file for complete search history.

FIG. 1 is a front elevational view of the armband carrier with window showing my new design;

FIG. 2 is a top plan view thereof;

FIG. 3 is a bottom plan view thereof;

FIG. 4 is a rear elevational view thereof;

FIG. 5 is a left end view of FIG. 1;

FIG. 6 is a right end view of FIG. 1;

FIG. 7 is a front elevational view of a modified embodiment of the armband carrier with window;

FIG. 8 is a top plan view of the modified armband carrier with window of FIG. 7;

FIG. 9 is a bottom plan view of FIG. 7;

FIG. 10 is a rear elevational view of FIG. 7;

FIG. 11 is a left end view of FIG. 7;

FIG. 12 is a right end view of FIG. 7;

FIG. 13 is a front elevational view of a further modified embodiment of the armband carrier with window;

FIG. 14 is a top plan view of the further modified armband carrier with window of FIG. 13;

FIG. 15 is a bottom plan view of FIG. 13;

FIG. 16 is a rear elevational view of FIG. 13;

FIG. 17 is a left end view of FIG. 13; and,

FIG. 18 is a right end view of FIG. 13.

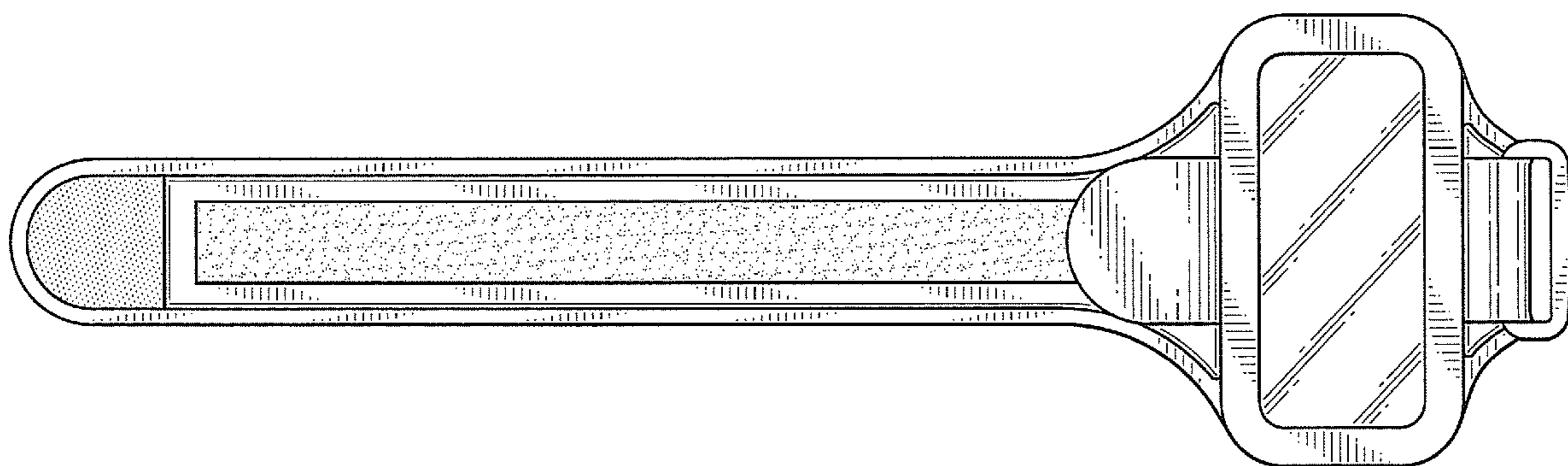
(56) **References Cited**

U.S. PATENT DOCUMENTS

D33,980 S	1/1901	Mitchell
D248,258 S	6/1978	Munari
D258,246 S	2/1981	Kravchenko
D278,761 S	5/1985	Fuller
D293,387 S	12/1987	Wagner, II
D350,025 S	8/1994	Rolle
D374,983 S	10/1996	Brucki
5,577,653 A	11/1996	Bieker
D380,086 S	6/1997	Brassard
D384,808 S	10/1997	Carretta
D395,163 S	6/1998	Huang
D406,455 S	3/1999	Wagner, II
D408,628 S	4/1999	Fusco
D415,892 S	11/1999	Angus et al.
D419,291 S	1/2000	Pugh
D426,058 S	6/2000	Gaines et al.
D433,807 S	11/2000	Vazquez
D440,762 S	4/2001	Sherman

(Continued)

1 Claim, 6 Drawing Sheets



US D620,706 S

Page 2

U.S. PATENT DOCUMENTS

D456,989 S	5/2002	Carothers et al.	D490,974 S	6/2004	Wagner, II
D458,021 S	6/2002	Willows et al.	D495,484 S	9/2004	Marks
D459,875 S	7/2002	Mack et al.	D498,048 S	11/2004	Reichardt
D460,257 S	7/2002	Williams et al.	D507,103 S	7/2005	Charles, Jr.
D469,249 S	1/2003	Cain	D512,834 S	12/2005	Wagner, II
D483,942 S	12/2003	Willows et al.	D513,865 S	1/2006	Wagner, II
D487,844 S	3/2004	Nichols	D541,044 S	4/2007	Wagner, II
D490,239 S	5/2004	Wagner, II	D576,791 S	9/2008	Wagner, II
			D576,792 S	9/2008	Wagner, II

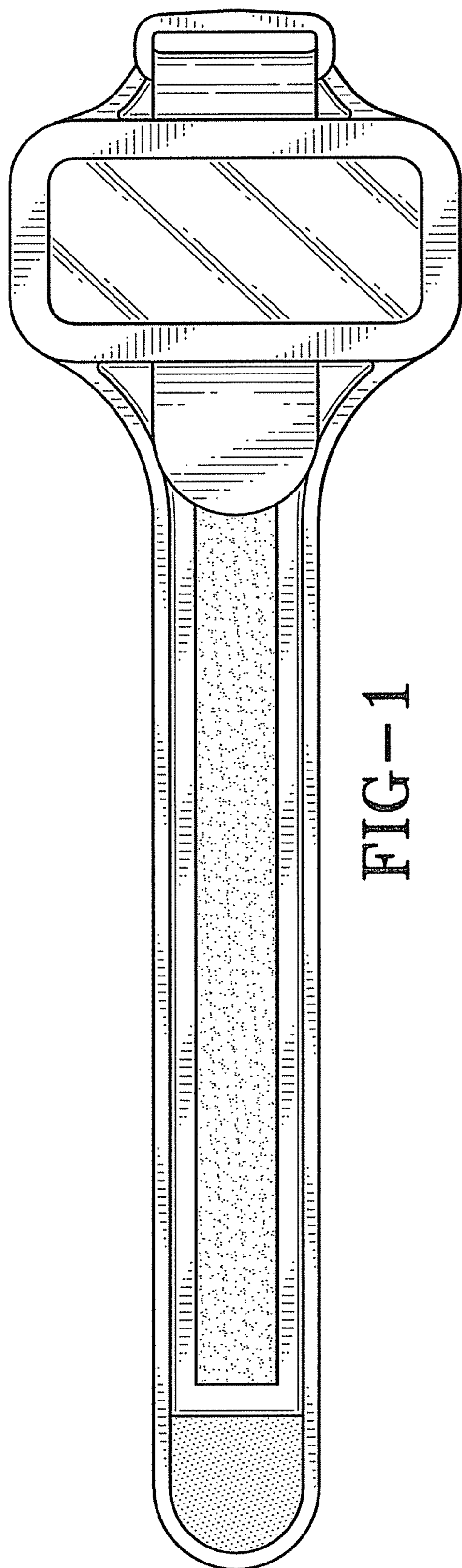


FIG-1



FIG-2



FIG-3

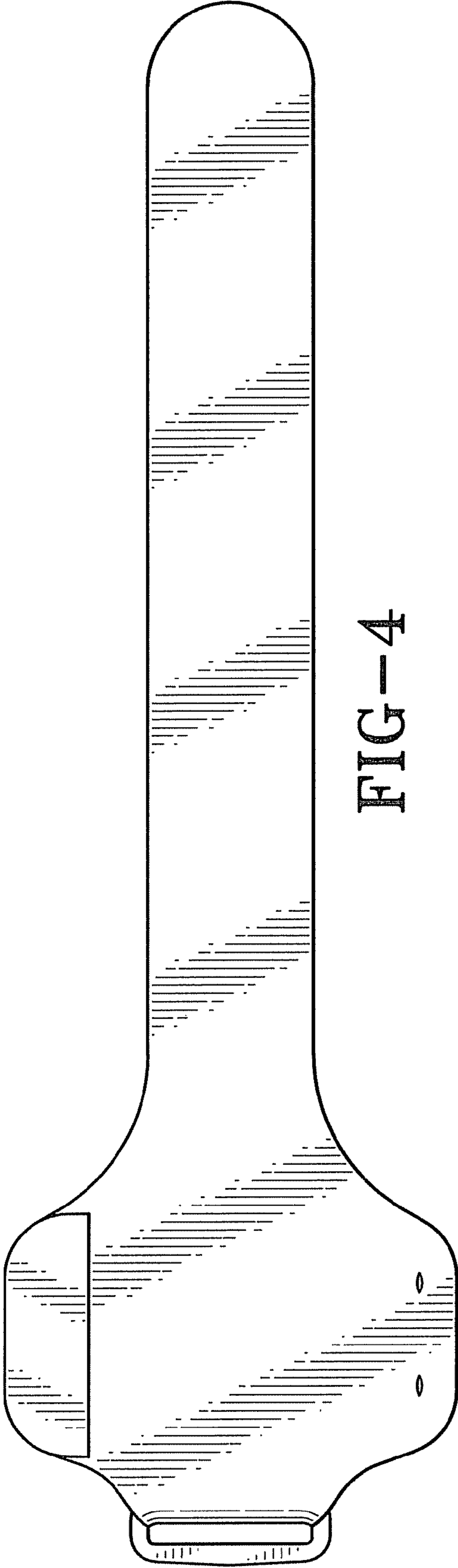


FIG-4

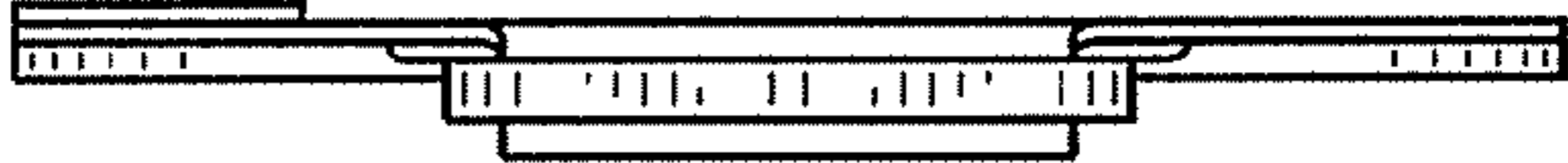


FIG-6



FIG-5

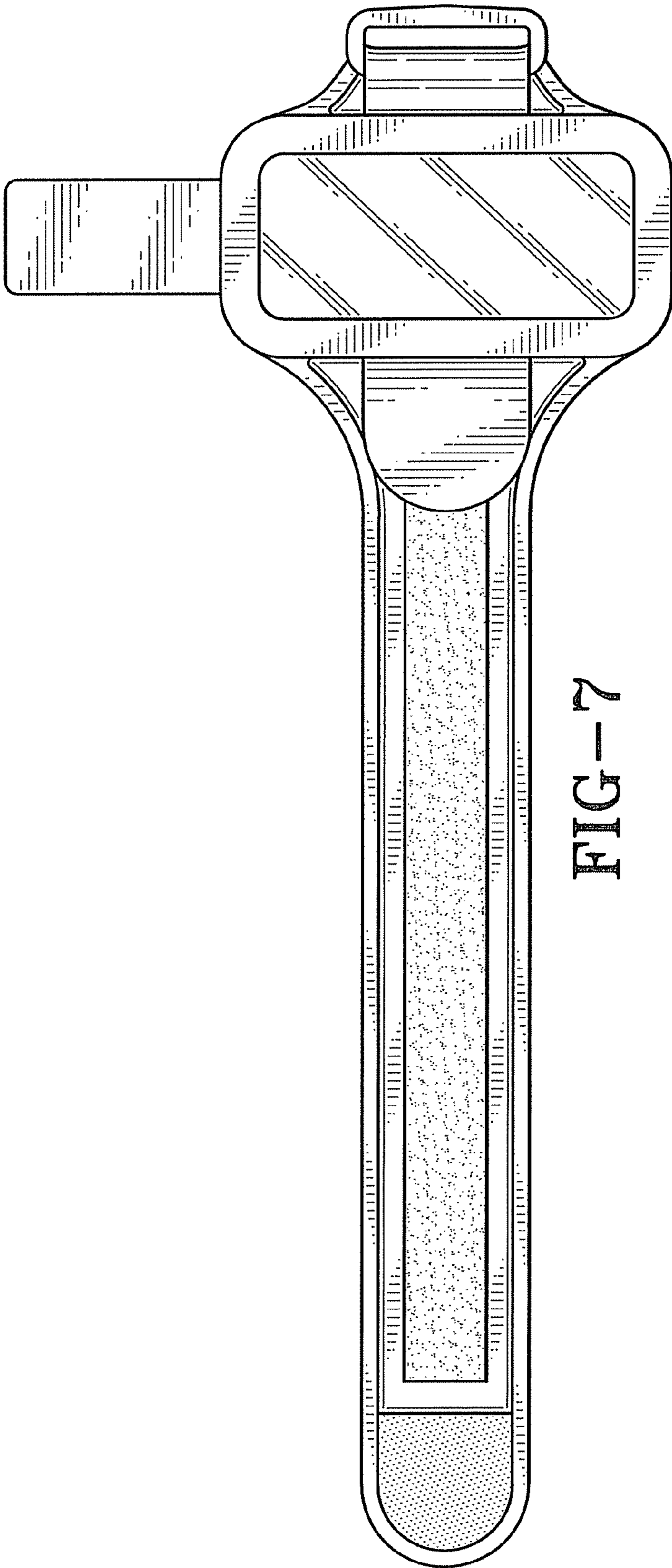


FIG-7

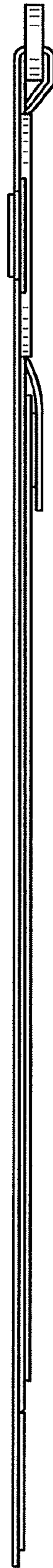


FIG-8



FIG-9



FIG-12



FIG-11

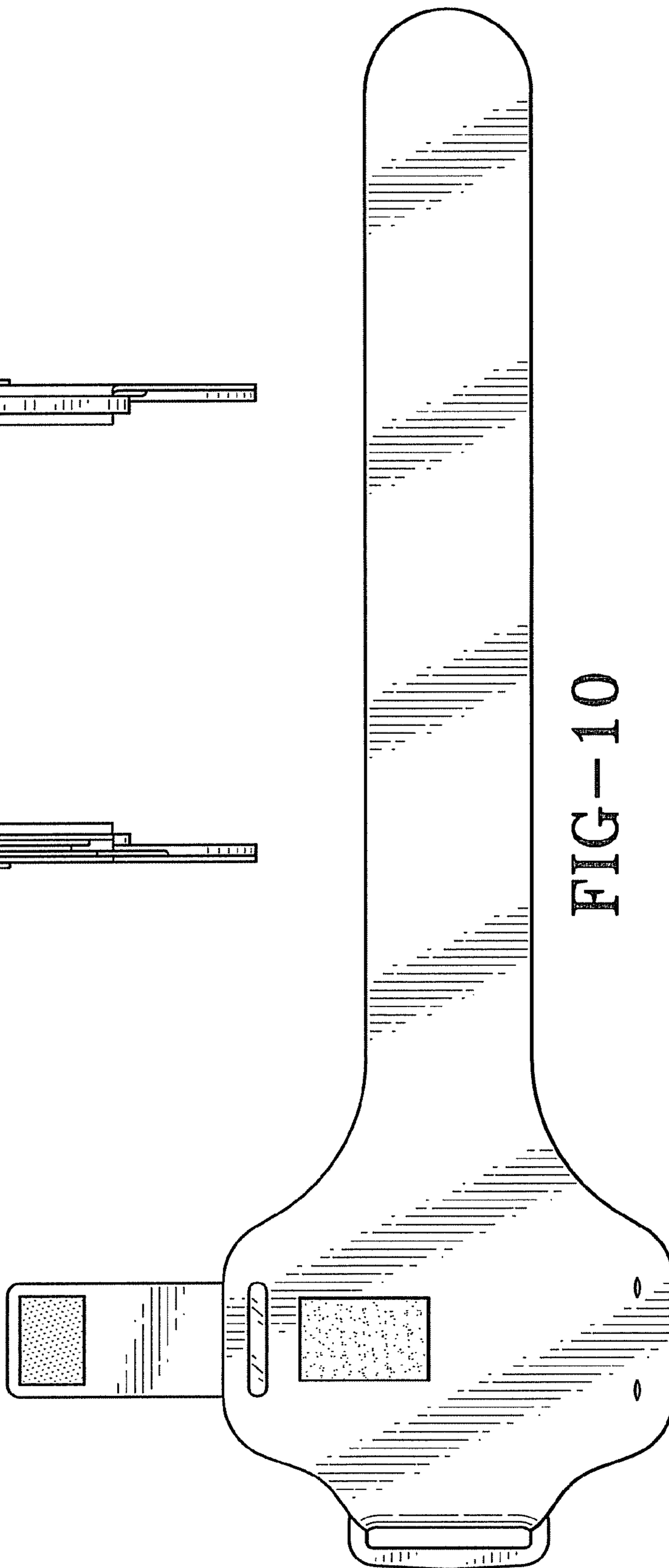


FIG-10

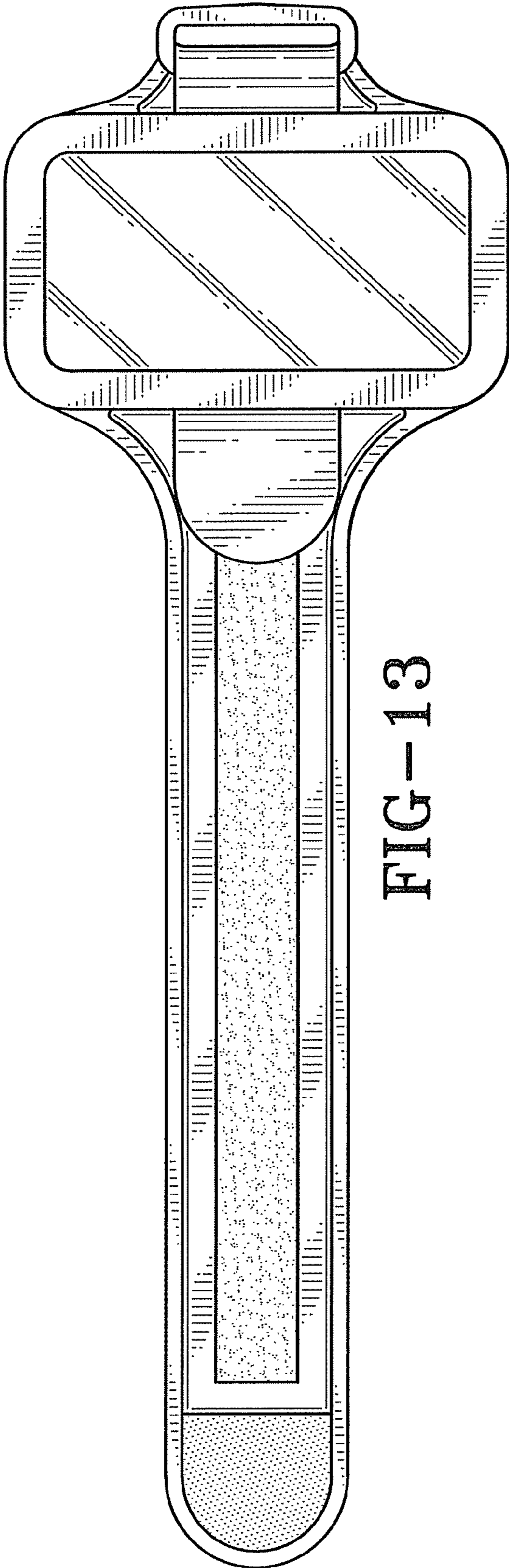


FIG-13



FIG-14



FIG-15

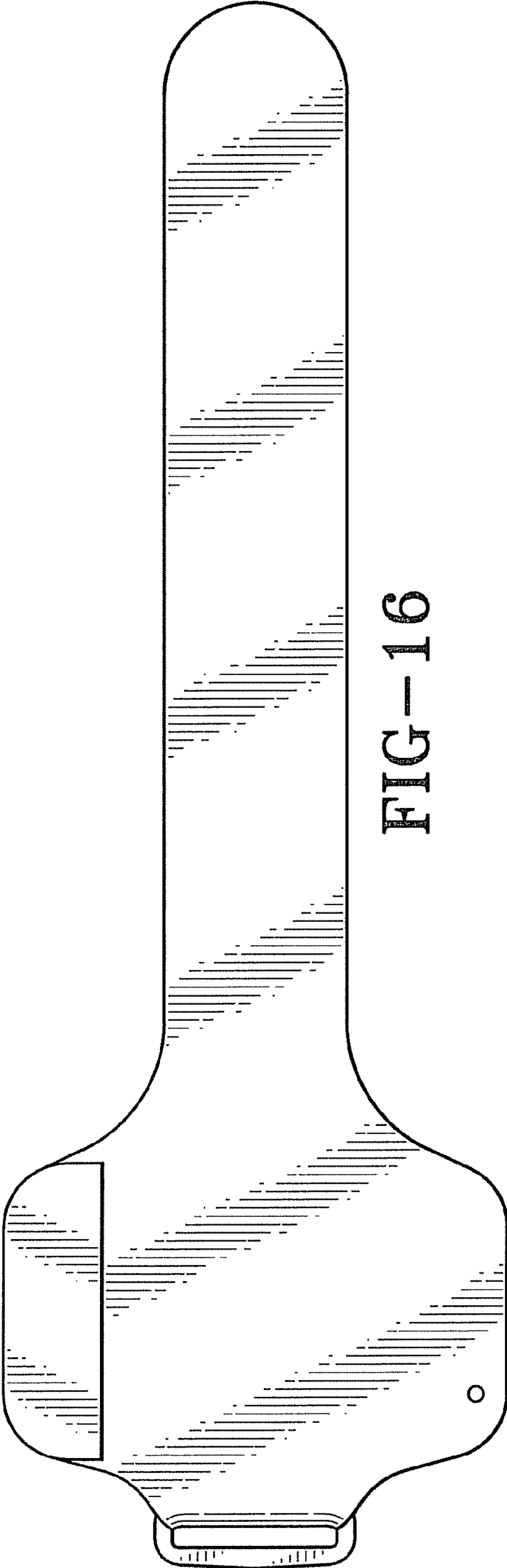


FIG-16

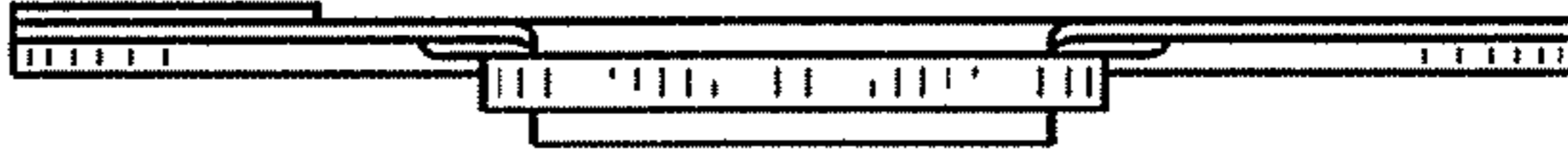


FIG-18

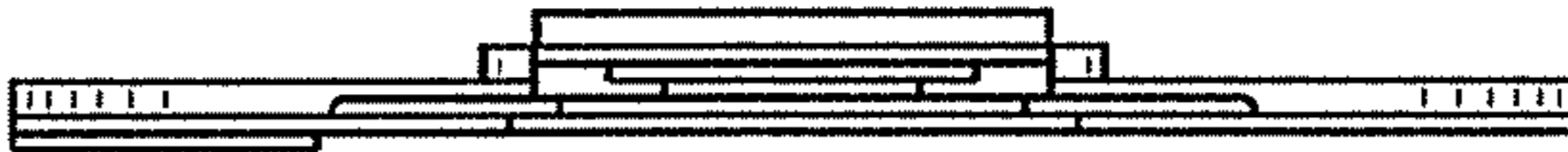


FIG-17