



US00D620701S

(12) **United States Design Patent**
Williams

(10) **Patent No.:** **US D620,701 S**

(45) **Date of Patent:** **** Aug. 3, 2010**

(54) **WEARABLE MODULAR STORAGE APPARATUS**

D551,857 S * 10/2007 Gonzalez et al. D3/228

* cited by examiner

(76) Inventor: **Erica R. Williams**, 308 Oak Ave.,
Sharon Hill, PA (US) 19079

Primary Examiner—Catherine R Oliver
(74) *Attorney, Agent, or Firm*—Volpe and Koenig, P.C.

(**) Term: **14 Years**

(57) **CLAIM**

(21) Appl. No.: **29/346,122**

The ornamental design for wearable modular storage apparatus, as shown and described.

(22) Filed: **Oct. 27, 2009**

DESCRIPTION

(51) **LOC (9) Cl.** **03-01**

FIG. 1 is a perspective view;

(52) **U.S. Cl.** **D3/215; D3/228**

FIG. 2 is a top plan view thereof;

(58) **Field of Classification Search** D3/215,
D3/221, 224, 226, 228; 224/268, 901, 904,
224/255, 250, 674; 206/372–373; D8/373;
24/3.11, 3.12

FIG. 3 is a rear view thereof;

FIG. 4 is a left side view thereof, the right side view being a mirror image thereof;

See application file for complete search history.

FIG. 5 is a bottom plan view thereof; and,

FIG. 6 is a front view thereof.

(56) **References Cited**

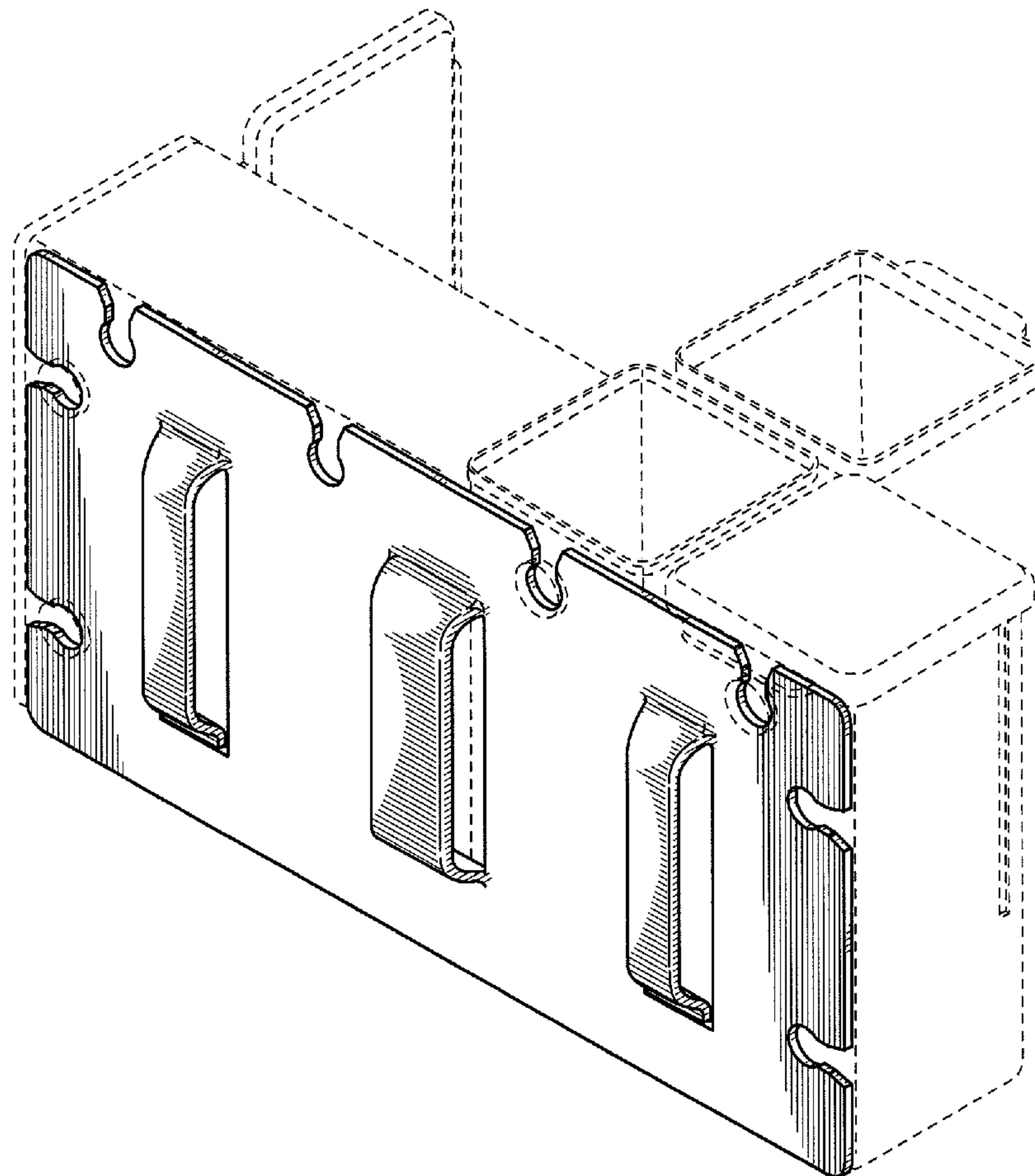
Where included, the broken-lines appearing in the Figures are for illustrative purposes only and form no part of the claimed design.

U.S. PATENT DOCUMENTS

5,641,109 A * 6/1997 Willoughby 224/255

D469,250 S * 1/2003 Armstrong D3/228

1 Claim, 2 Drawing Sheets



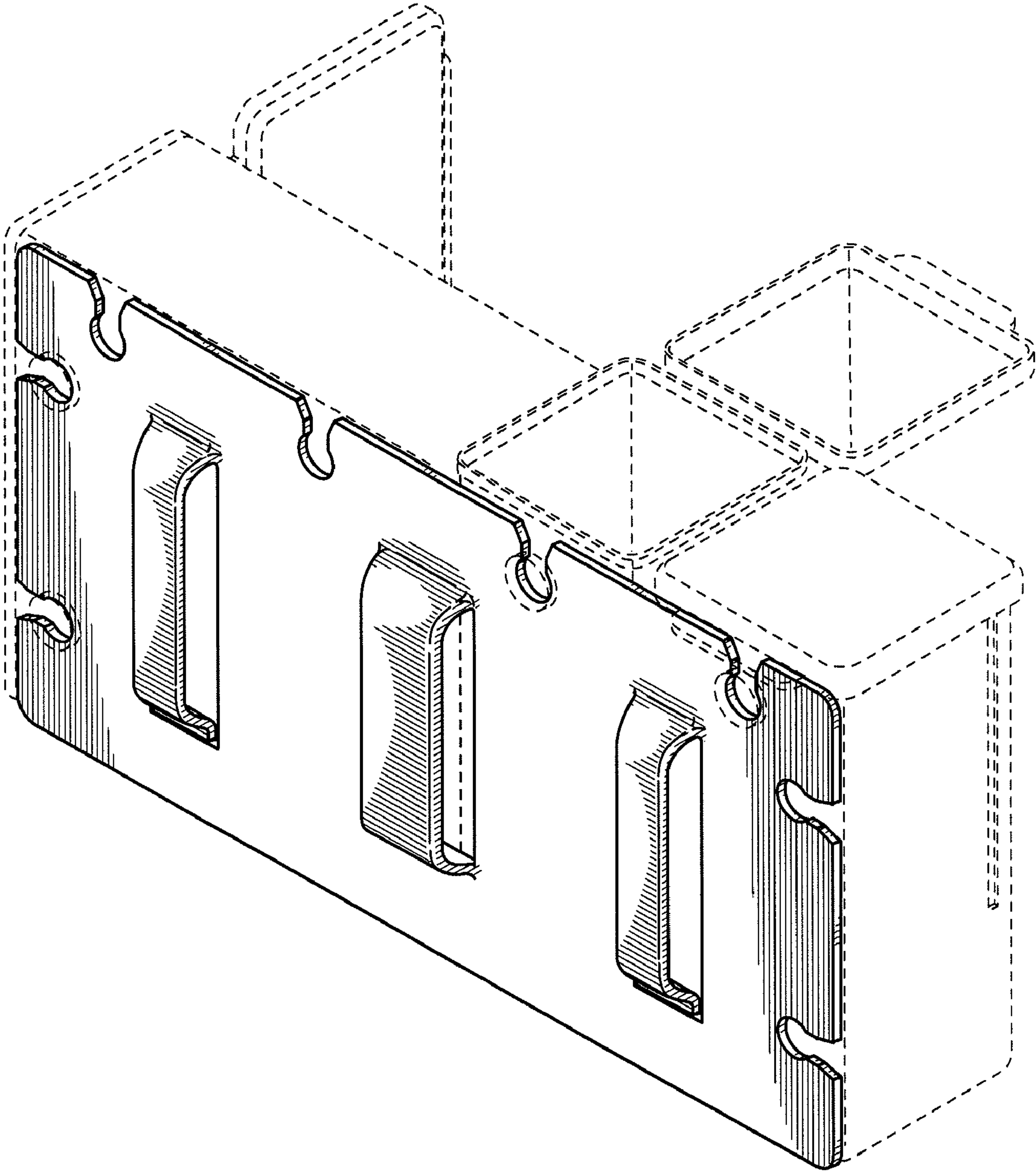


FIG. 1

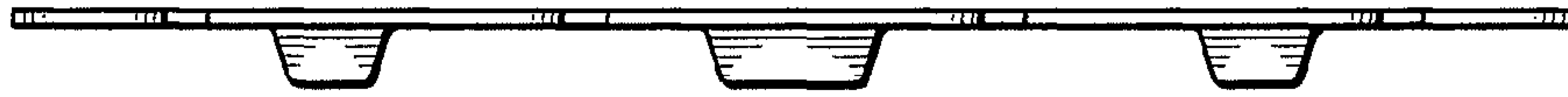


FIG. 2

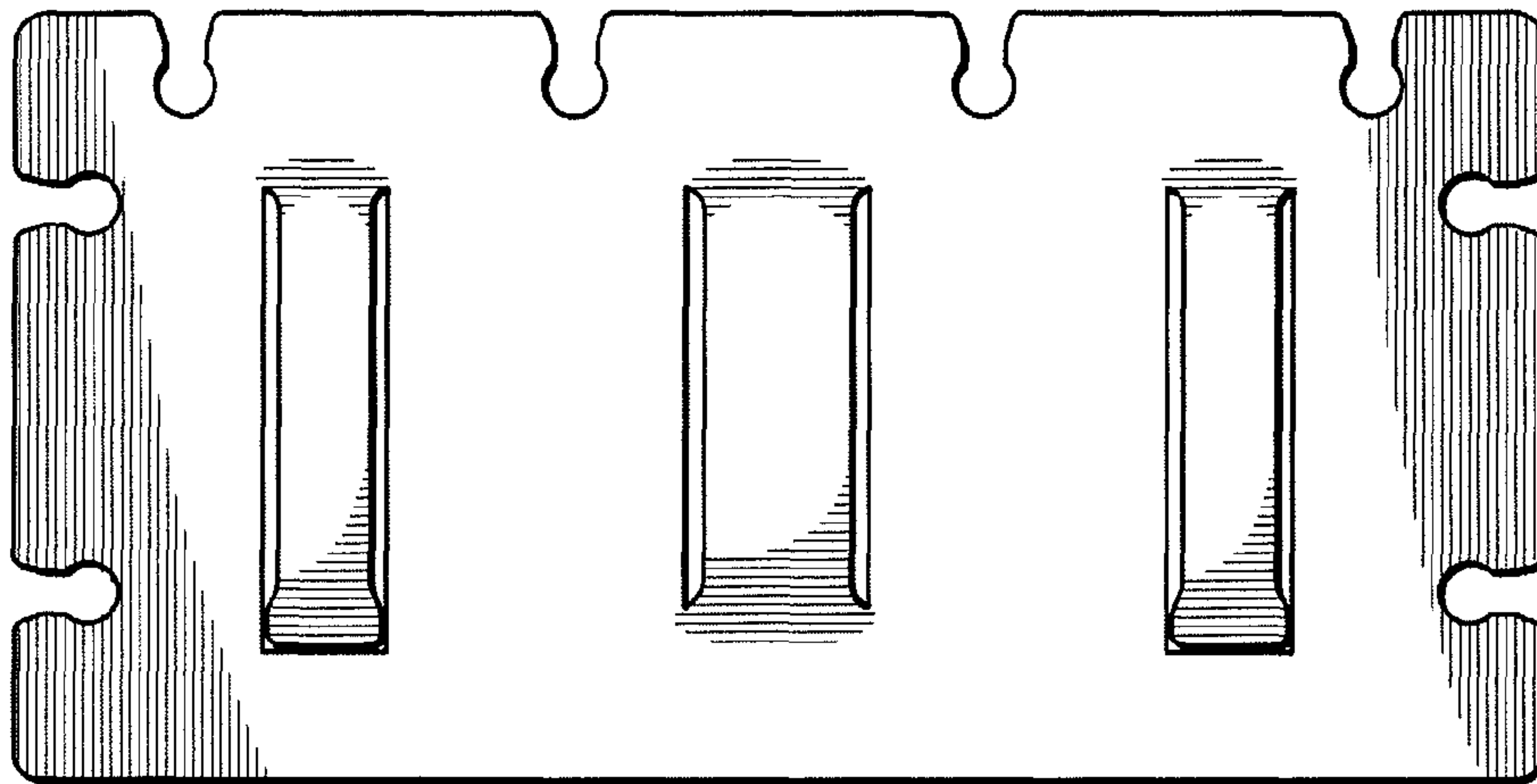


FIG. 3



FIG. 4

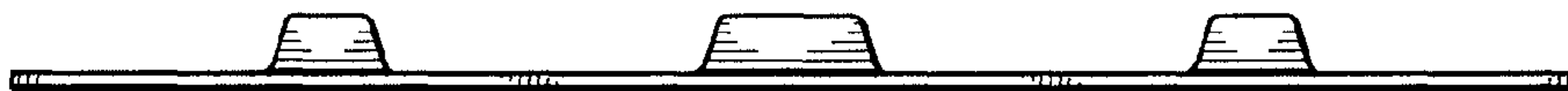


FIG. 5

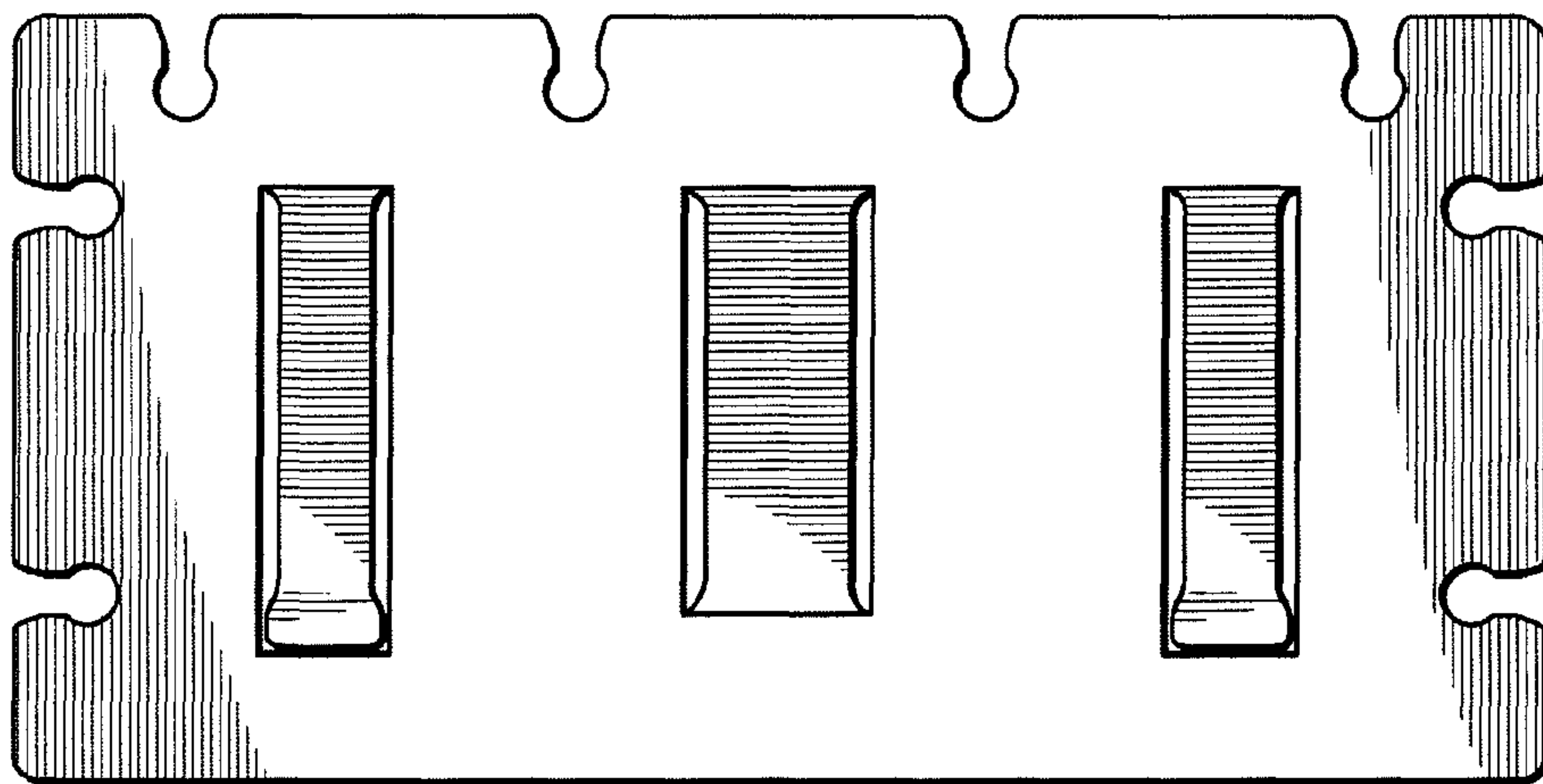


FIG. 6