



US00D620695S

(12) **United States Design Patent**  
**McCarthy et al.**

(10) **Patent No.:** **US D620,695 S**

(45) **Date of Patent:** **\*\* \*Aug. 3, 2010**

(54) **SHOE WITH FOXING TAPE AND AIRBAG WINDOW**

(75) Inventors: **Dan McCarthy**, Carlsbad, CA (US);  
**Joseph Abadjian**, Pasadena, CA (US);  
**Jungho Seo**, San Diego, CA (US);  
**William Keegan**, Oceanside, CA (US)

(73) Assignee: **DC Shoes, Inc.**, Vista, CA (US)

(\*) Notice: This patent is subject to a terminal disclaimer.

(\*\*) Term: **14 Years**

(21) Appl. No.: **29/320,204**

(22) Filed: **Jun. 23, 2008**

(51) **LOC (9) Cl.** ..... **02-99**

(52) **U.S. Cl.** ..... **D2/977**

(58) **Field of Classification Search** ..... D2/896,  
D2/902, 906-908, 943, 94, 946, 969, 970,  
D2/972-974, 976, 977; 36/45, 50.1, 83,  
36/113, 114, 125-134, 77 R, 77 M, 88  
See application file for complete search history.

(56) **References Cited**

**U.S. PATENT DOCUMENTS**

2,994,972	A	*	8/1961	Blair	.....	36/92
D223,531	S	*	5/1972	McCarthy	.....	D2/897
D226,461	S	*	3/1973	Nelson	.....	D2/907
D226,883	S	*	5/1973	McBarron	.....	D2/907
D226,885	S	*	5/1973	Babicka	.....	D2/907
D229,900	S	*	1/1974	Powers	.....	D2/907
D236,560	S	*	9/1975	Senter	.....	D2/907
D242,401	S	*	11/1976	Wunsch	.....	D2/907
4,817,304	A	*	4/1989	Parker et al.	.....	36/114
D310,442	S		9/1990	Hatfield		
D311,989	S	*	11/1990	Parker et al.	.....	D2/947
D324,131	S		2/1992	Lucas		
D336,771	S	*	6/1993	Hatfield et al.	.....	D2/977
D349,808	S	*	8/1994	Passke et al.	.....	D2/977
D350,016	S	*	8/1994	Passke et al.	.....	D2/946

D351,277	S	*	10/1994	Aveni et al.	.....	D2/977
D363,372	S	*	10/1995	Hatfield et al.	.....	D2/977
D366,756	S	*	2/1996	Forland et al.	.....	D2/977
D395,337	S	*	6/1998	Greene	.....	D2/947
D495,129	S	*	8/2004	Allen	.....	D2/977
D498,914	S		11/2004	Sokolowski		
D499,248	S		12/2004	Sokolowski		
D499,541	S	*	12/2004	Dolan	.....	D2/977
D511,618	S		11/2005	McDowell et al.		
D534,345	S	*	1/2007	Dojan et al.	.....	D2/977
D547,541	S	*	7/2007	Schindler et al.	.....	D2/977
D567,493	S	*	4/2008	Lacorazza	.....	D2/964

**OTHER PUBLICATIONS**

www.sneakernews.com. Nike Air Force 1 Supreme Max Air. Mar. 27, 2008, 2 pages.\*  
www.usoutdoor.com. DC Shoe Co. Park Snowboard Boots. Mar. 12, 2010. 1 page.\*  
www.shoes.com. Men's Converse sneakers/Converse Chucks. Mar. 12, 2010. 7 pages.\*  
"88 Footwear," shoe catalog, p. 17, 2005.

\* cited by examiner

*Primary Examiner*—Robert M Spear

*Assistant Examiner*—Rashida C McCoy

(74) *Attorney, Agent, or Firm*—Snell & Wilmer L.L.P.

(57) **CLAIM**

The ornamental design for a shoe with foxing tape and airbag window, as shown and described.

**DESCRIPTION**

FIG. 1 is a side view of a shoe with foxing tape and airbag window, showing my new design;

FIG. 2 is another side view thereof;

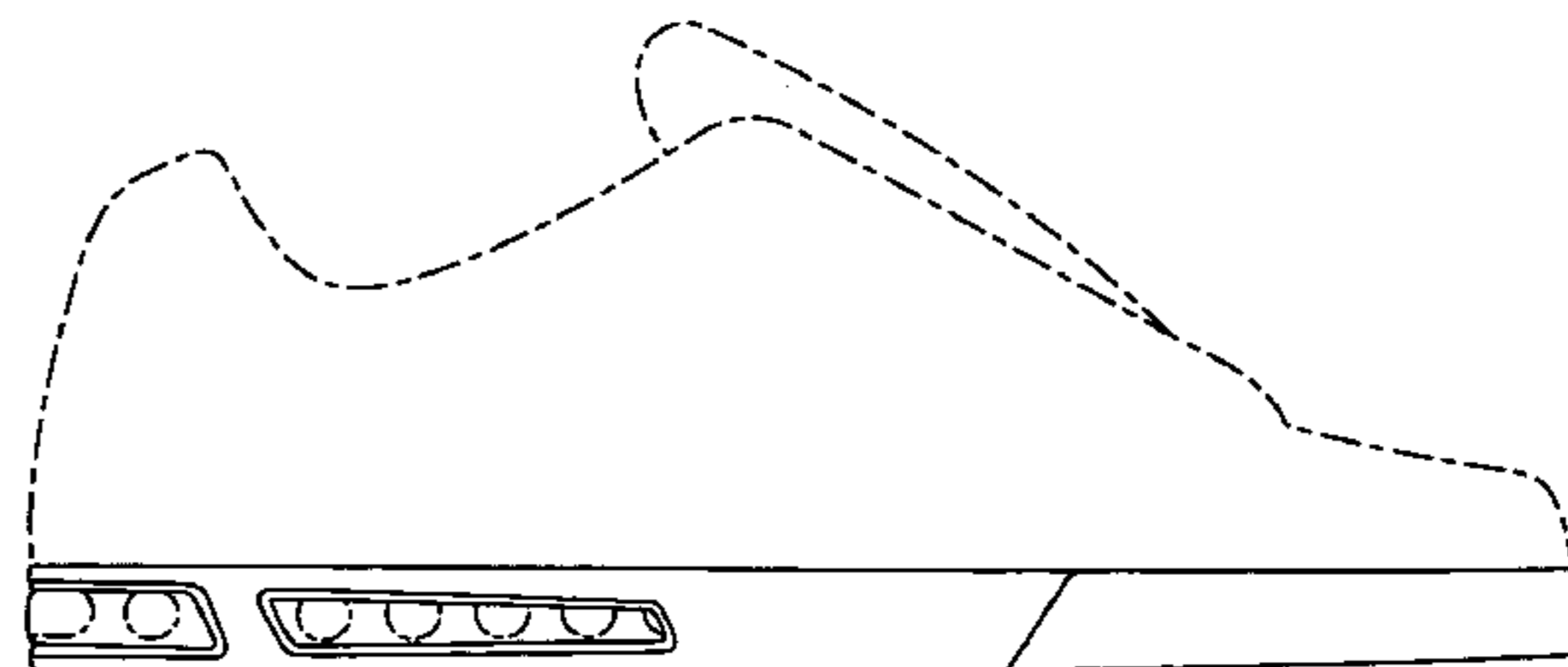
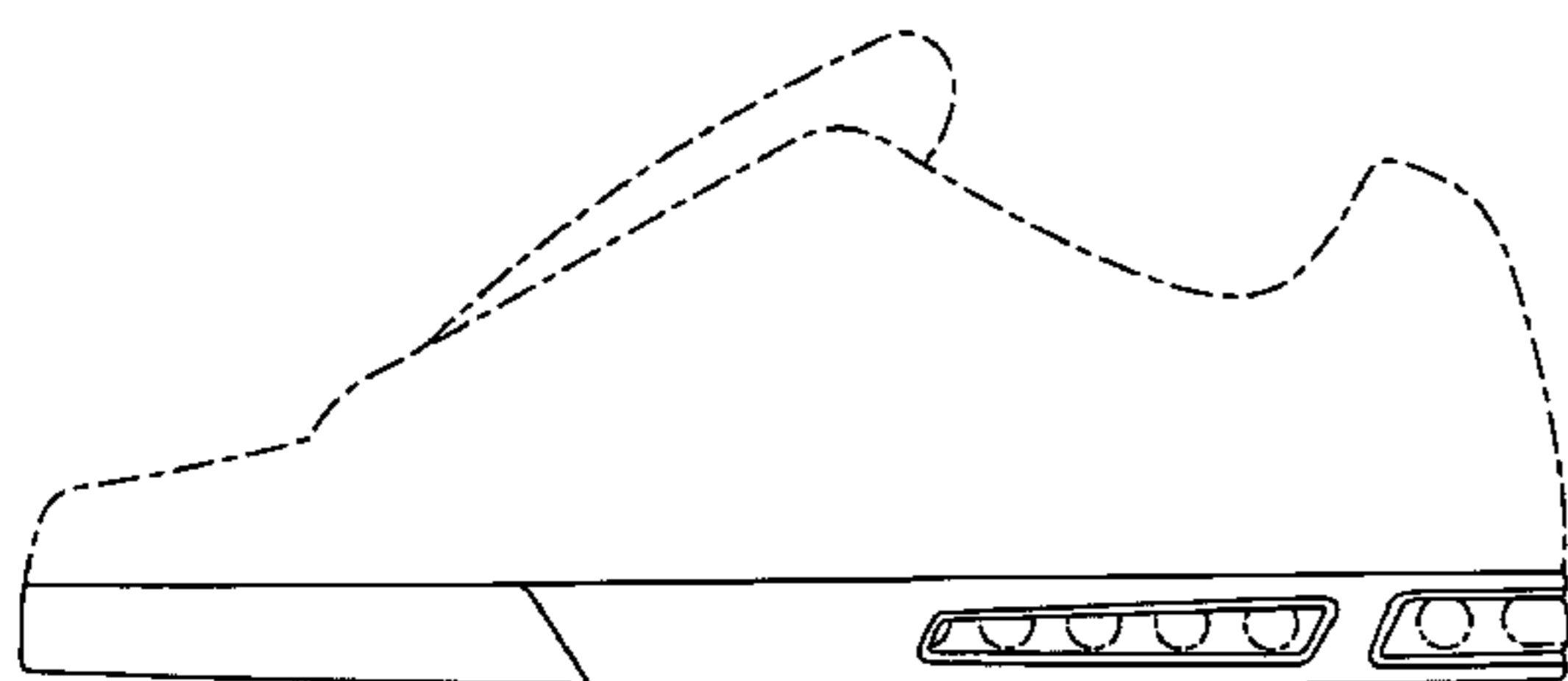
FIG. 3 is a bottom plan view thereof;

FIG. 4 is a front perspective view thereof; and,

FIG. 5 is a rear perspective view thereof.

The broken lines are shown for illustrative purposes only and form no part of the claimed design.

**1 Claim, 2 Drawing Sheets**



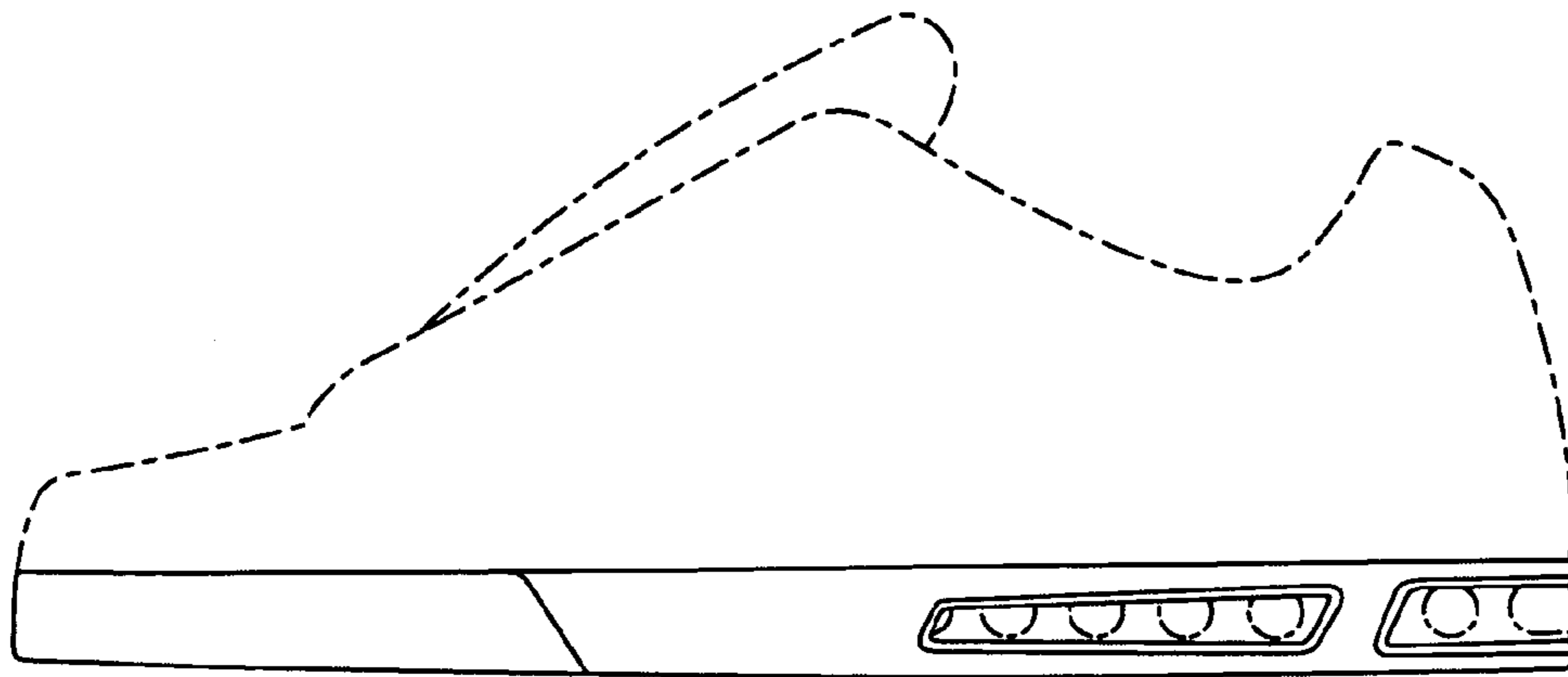


FIG. 1

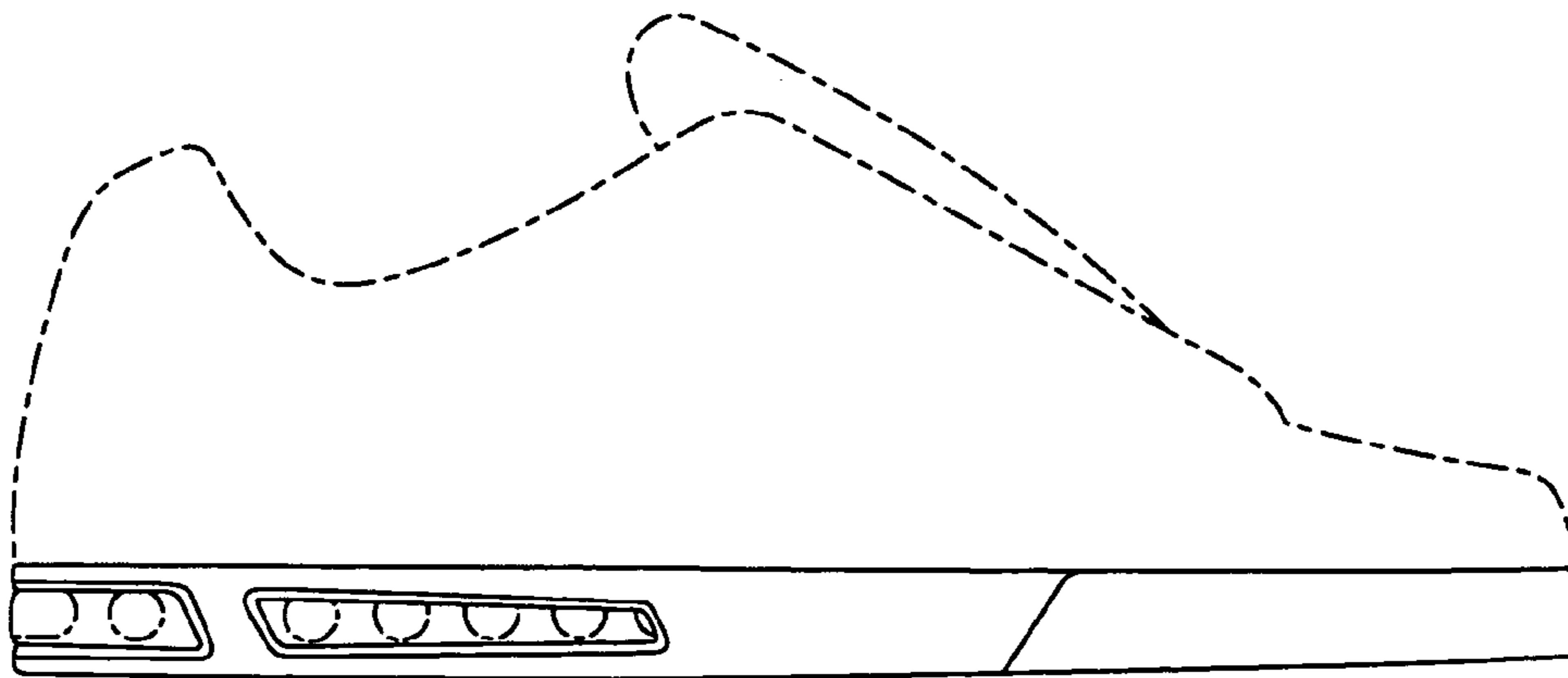


FIG. 2

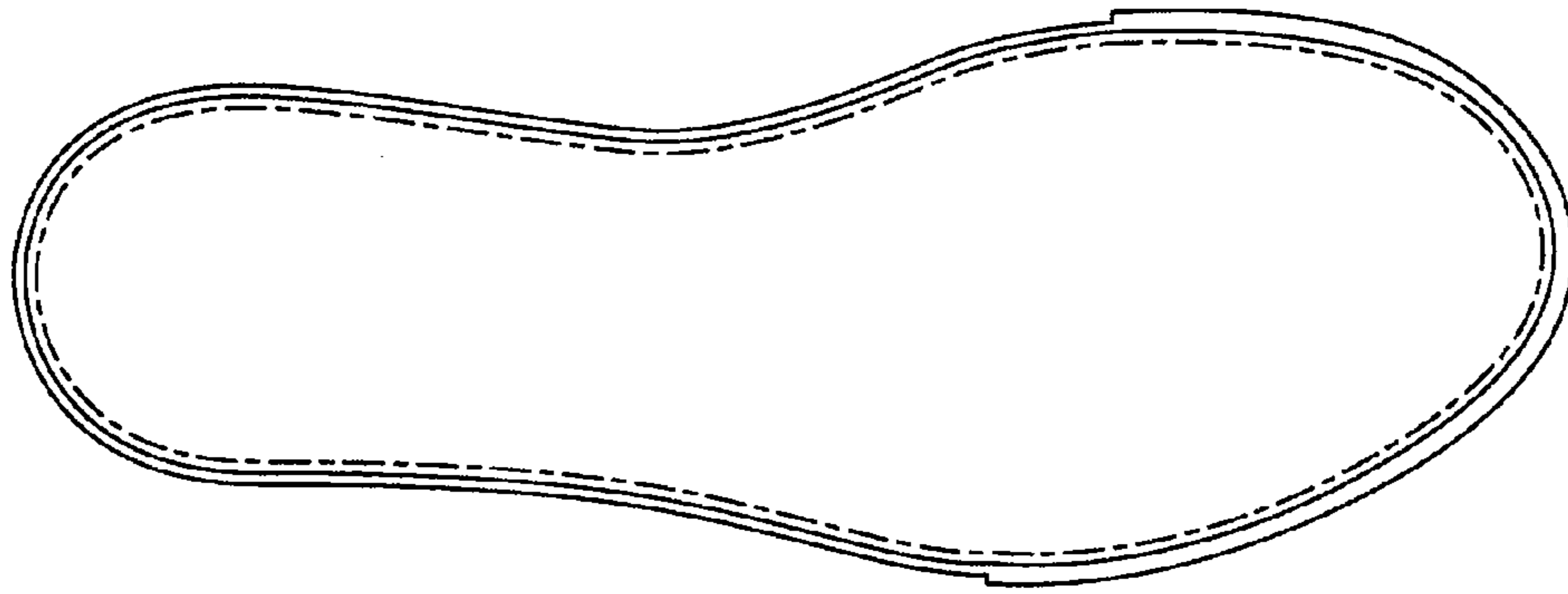


FIG. 3

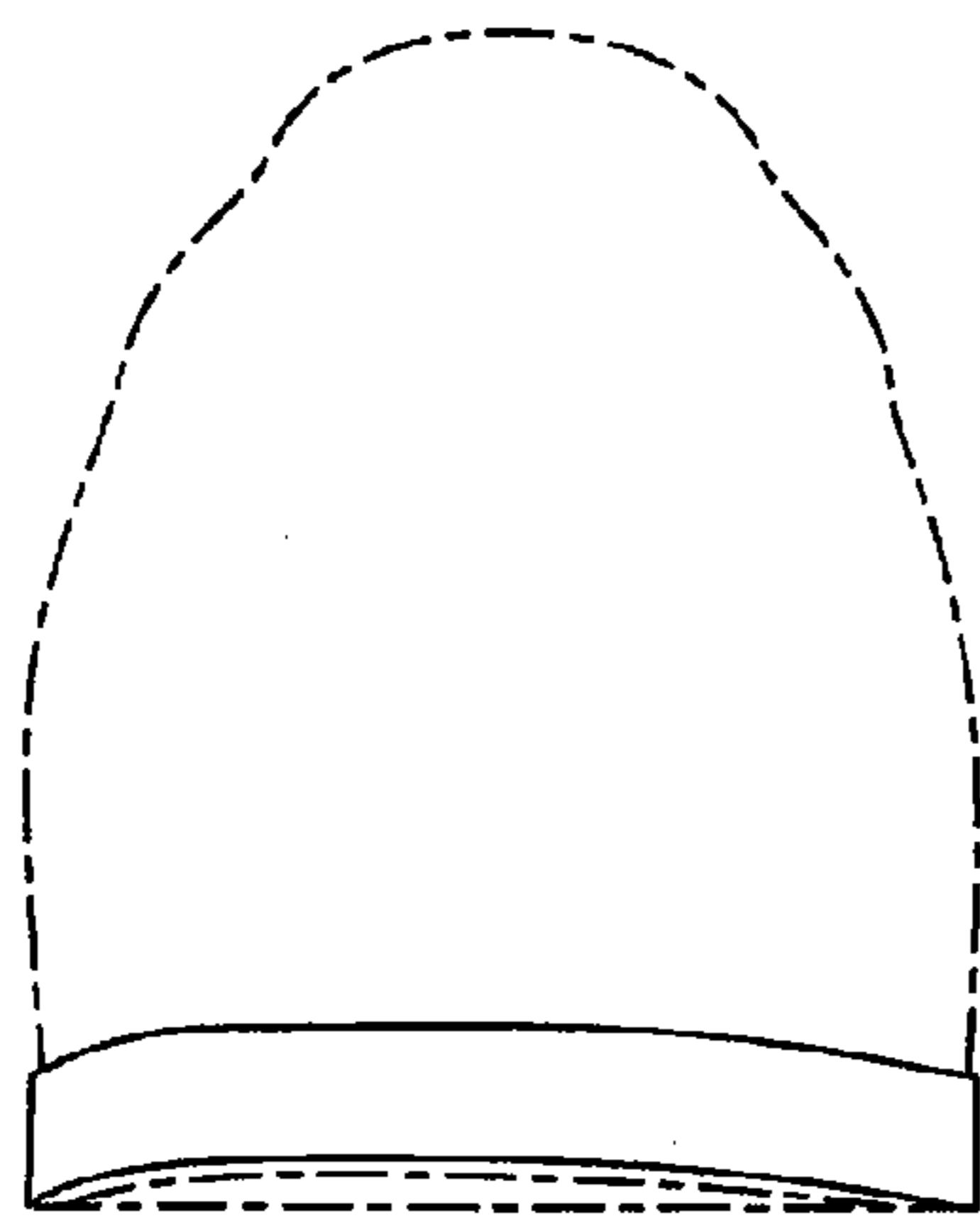


FIG. 4

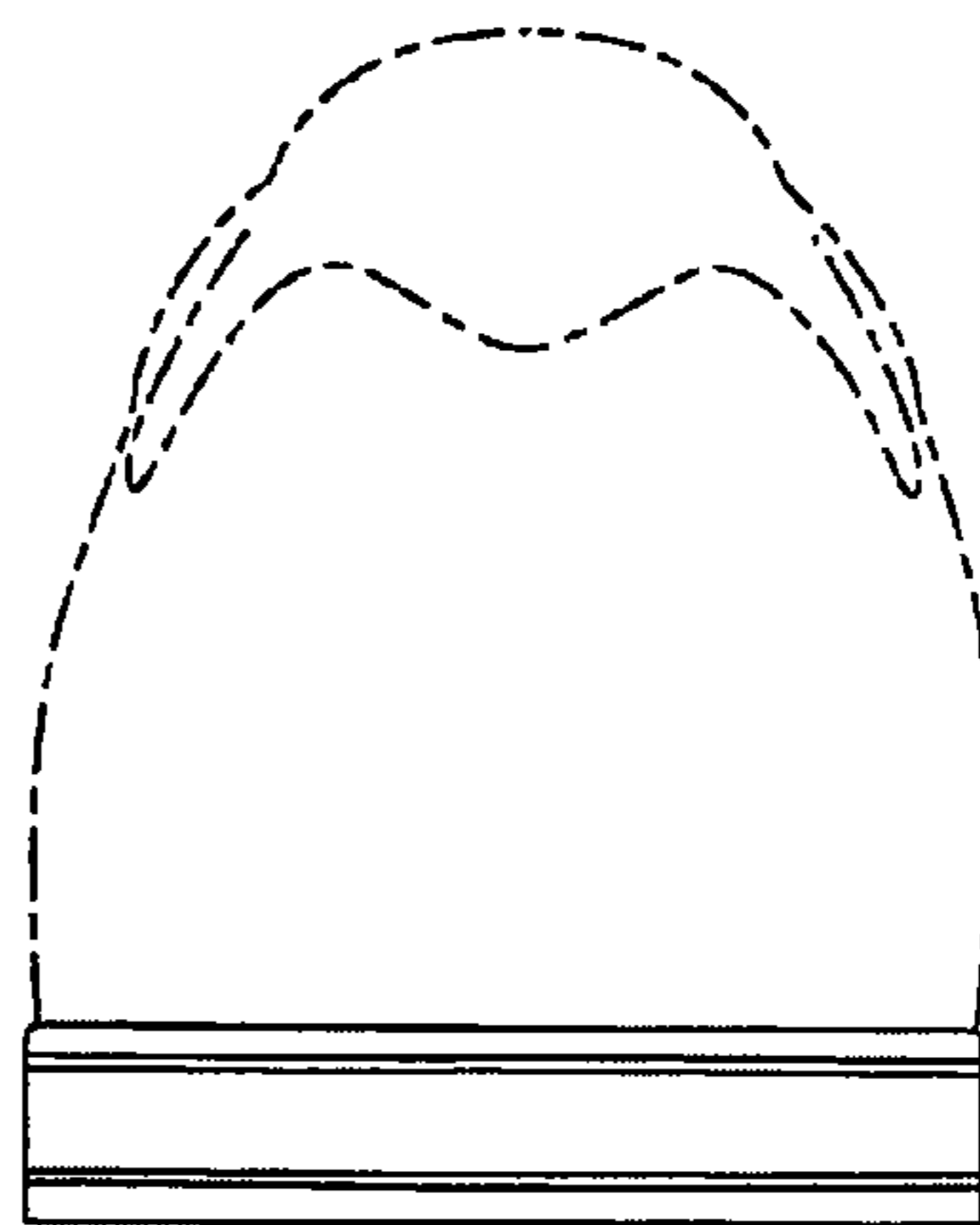


FIG. 5