



US00D620675S

(12) **United States Design Patent**
Doettling

(10) **Patent No.:** **US D620,675 S**
(45) **Date of Patent:** **** Jul. 27, 2010**

(54) **SAFE**
(75) Inventor: **Markus Doettling**, Sindelfingen (DE)
(73) Assignee: **Doettling GmbH**, Sindelfingen (DE)
(**) Term: **14 Years**
(21) Appl. No.: **29/310,702**
(22) Filed: **Sep. 4, 2008**

(51) **LOC (9) Cl.** **25-02**
(52) **U.S. Cl.** **D99/28**
(58) **Field of Classification Search** D99/28,
D99/43, 99; D6/434, 470, 457, 469, 510;
109/7, 22, 25, 38-39, 44-45, 47-48, 53,
109/59 R, 70, 74, 111; 211/94.02; 312/199,
312/205, 216-217, 297-298, 302-305, 334.44,
312/409; D14/150, 247, 399; 190/13 B-13 F,
190/13 H, 13 R, 36-37; D21/519; D3/272;
217/47, 69

See application file for complete search history.

(56) **References Cited**

U.S. PATENT DOCUMENTS

24,534 A *	6/1859	Biegelow et al.	109/22
166,107 A *	7/1875	Hyatt	109/53
470,818 A *	3/1892	Damon et al.	109/74
866,459 A *	9/1907	Gray	190/111
1,123,227 A *	1/1915	Bodker et al.	217/47
1,256,869 A *	2/1918	Blixt et al.	441/32
1,356,391 A *	10/1920	Myers	217/69
1,373,189 A *	3/1921	Goldsmith	312/199
1,516,977 A *	11/1924	Moulton	109/70
D67,730 S *	6/1925	Wheary	D3/272
1,556,154 A *	10/1925	Lindenberg	190/13 B
1,593,329 A *	7/1926	Debus	217/69

1,638,470 A *	8/1927	Caldwell	190/37
1,652,640 A *	12/1927	Ritter, Jr.	190/13 R
2,860,805 A *	11/1958	Katterjohn	217/69
D263,707 S *	4/1982	Fukushima et al.	D14/247
4,595,828 A *	6/1986	Lundblad	235/379
D314,406 S *	2/1991	Lerch	D21/519
D350,747 S *	9/1994	McClendon	D14/150
D433,553 S *	11/2000	Goldstein	D99/43
D488,321 S *	4/2004	Perella et al.	D6/434
D495,113 S *	8/2004	Lynch et al.	D99/43
D504,990 S *	5/2005	Perella et al.	D99/28
D579,174 S *	10/2008	Decarlo et al.	D99/28

* cited by examiner

Primary Examiner—Philip S Hyder
Assistant Examiner—Susan E Krakower
(74) *Attorney, Agent, or Firm*—Kriegsman & Kriegsman

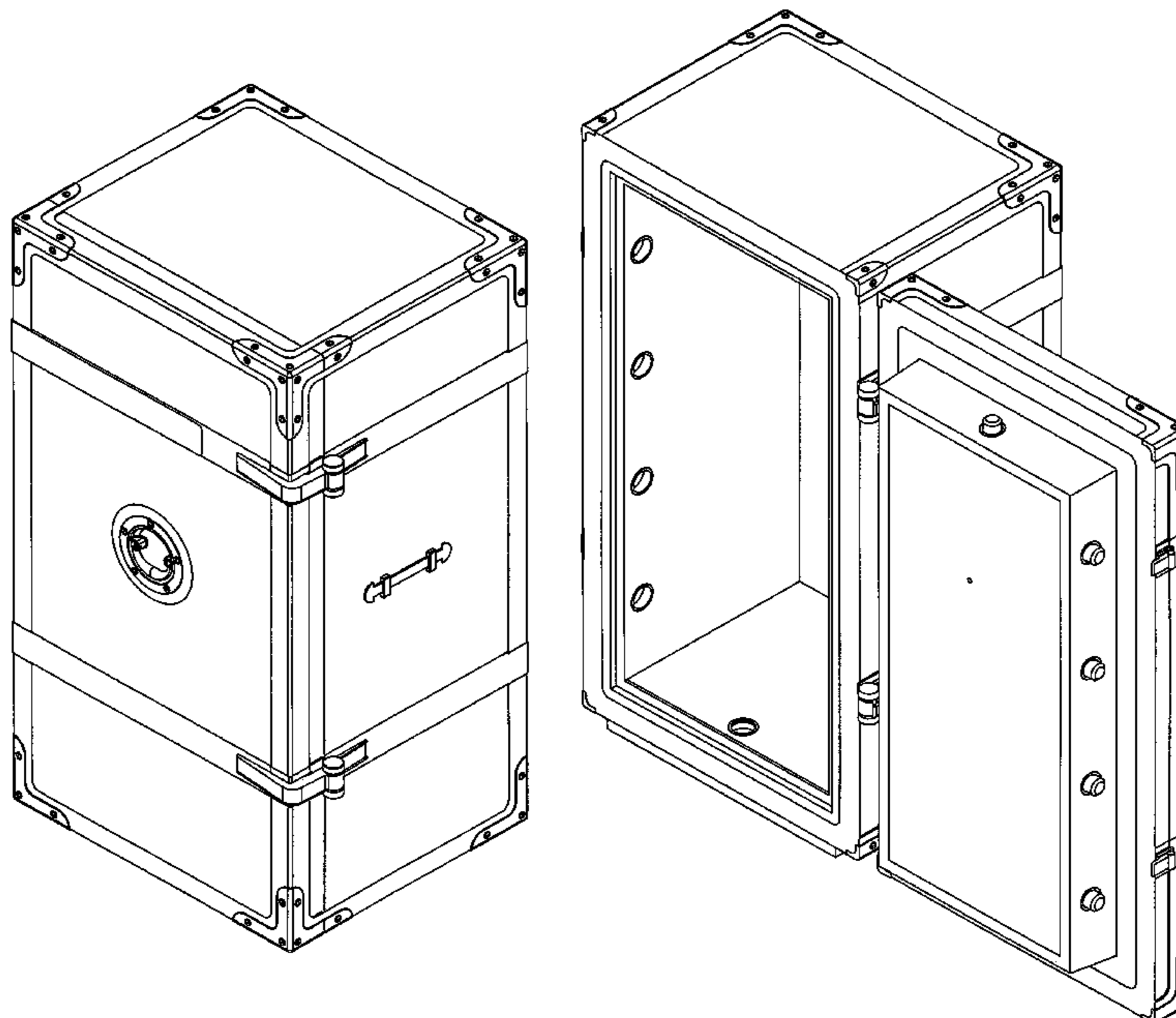
(57) **CLAIM**

The ornamental design for a safe, as shown and described.

DESCRIPTION

FIG. 1 is a front perspective view of a safe showing my new design;
FIG. 2 is a front view of the safe shown in FIG. 1;
FIG. 3 is a left side view of the safe shown in FIG. 1;
FIG. 4 is a right side view of the safe shown in FIG. 1;
FIG. 5 is a rear view of the safe shown in FIG. 1;
FIG. 6 is a top view of the safe shown in FIG. 1;
FIG. 7 is a perspective view of the safe shown in FIG. 1, with the door being in an open position; and,
FIG. 8 is a top view of the safe shown in FIG. 1, with the door being in an open position.

1 Claim, 8 Drawing Sheets



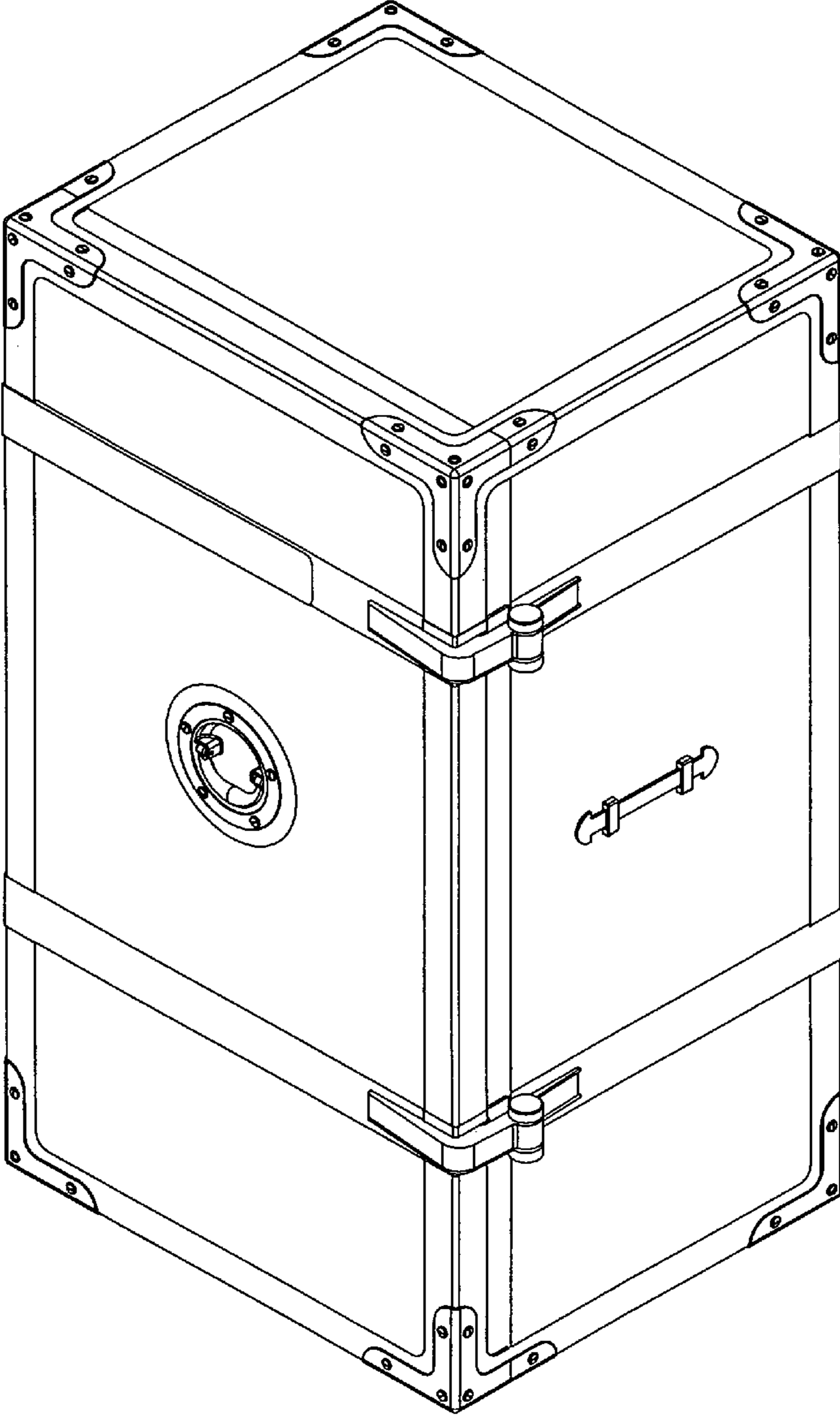


Fig.1

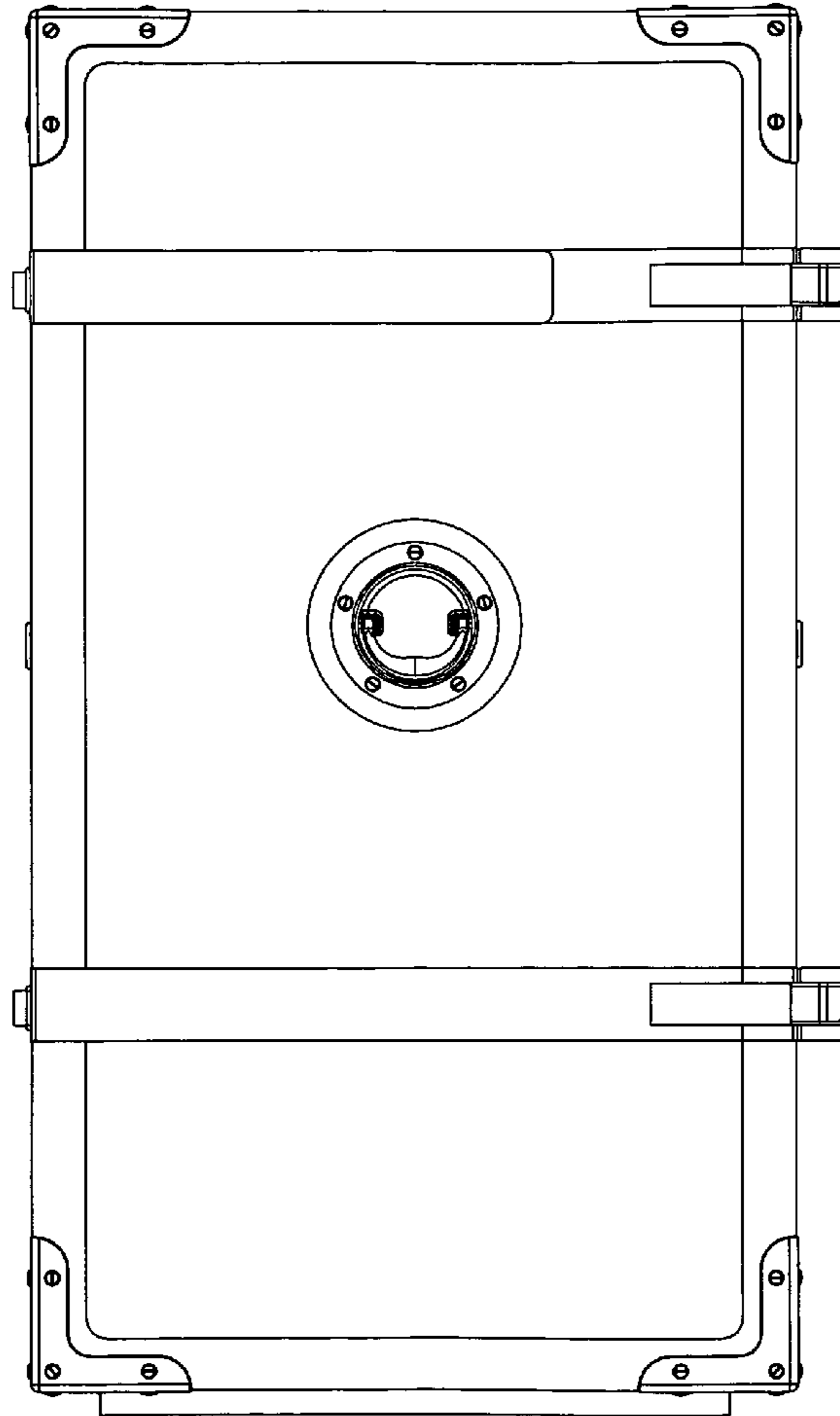


Fig.2

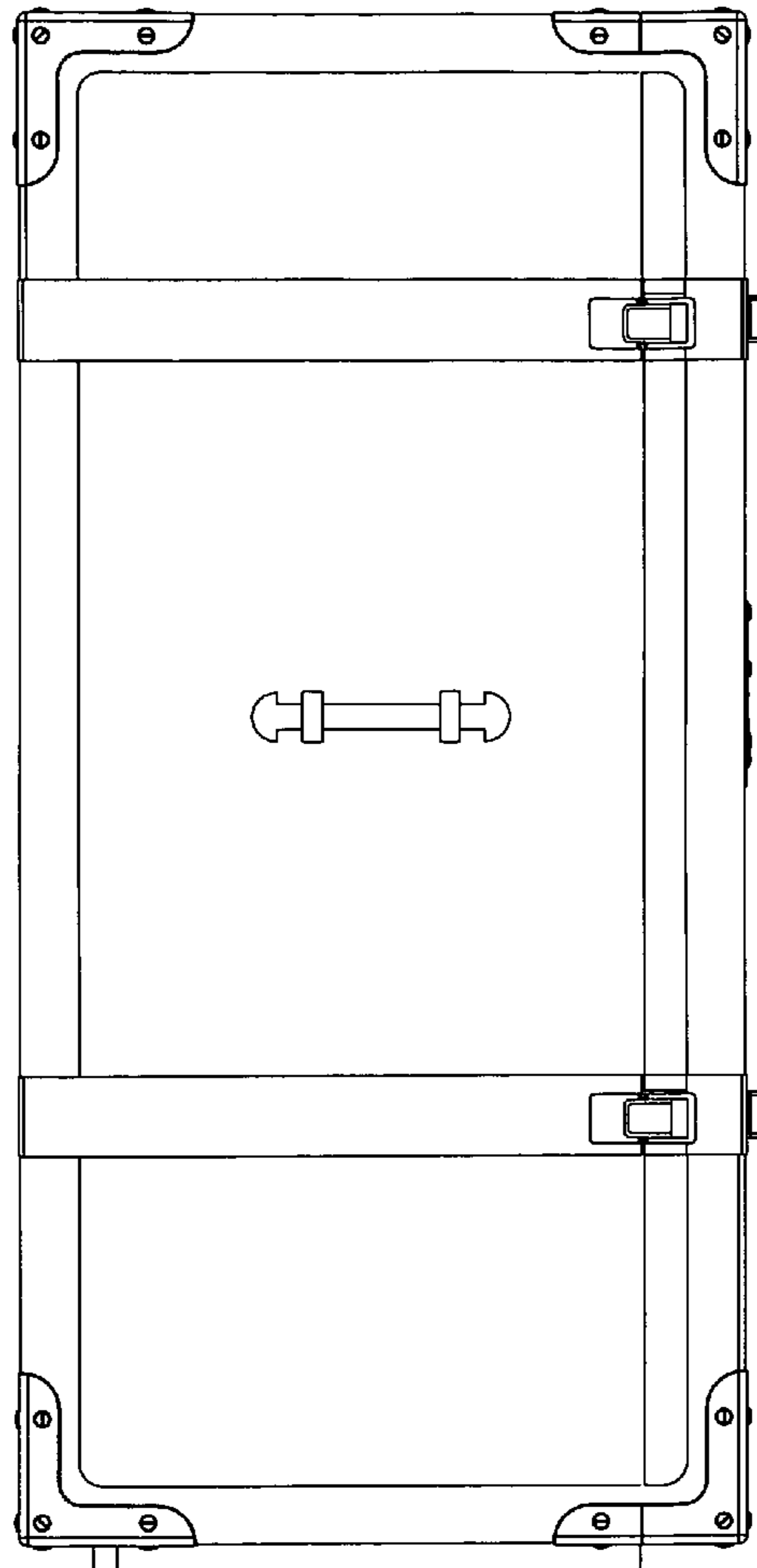


Fig.3

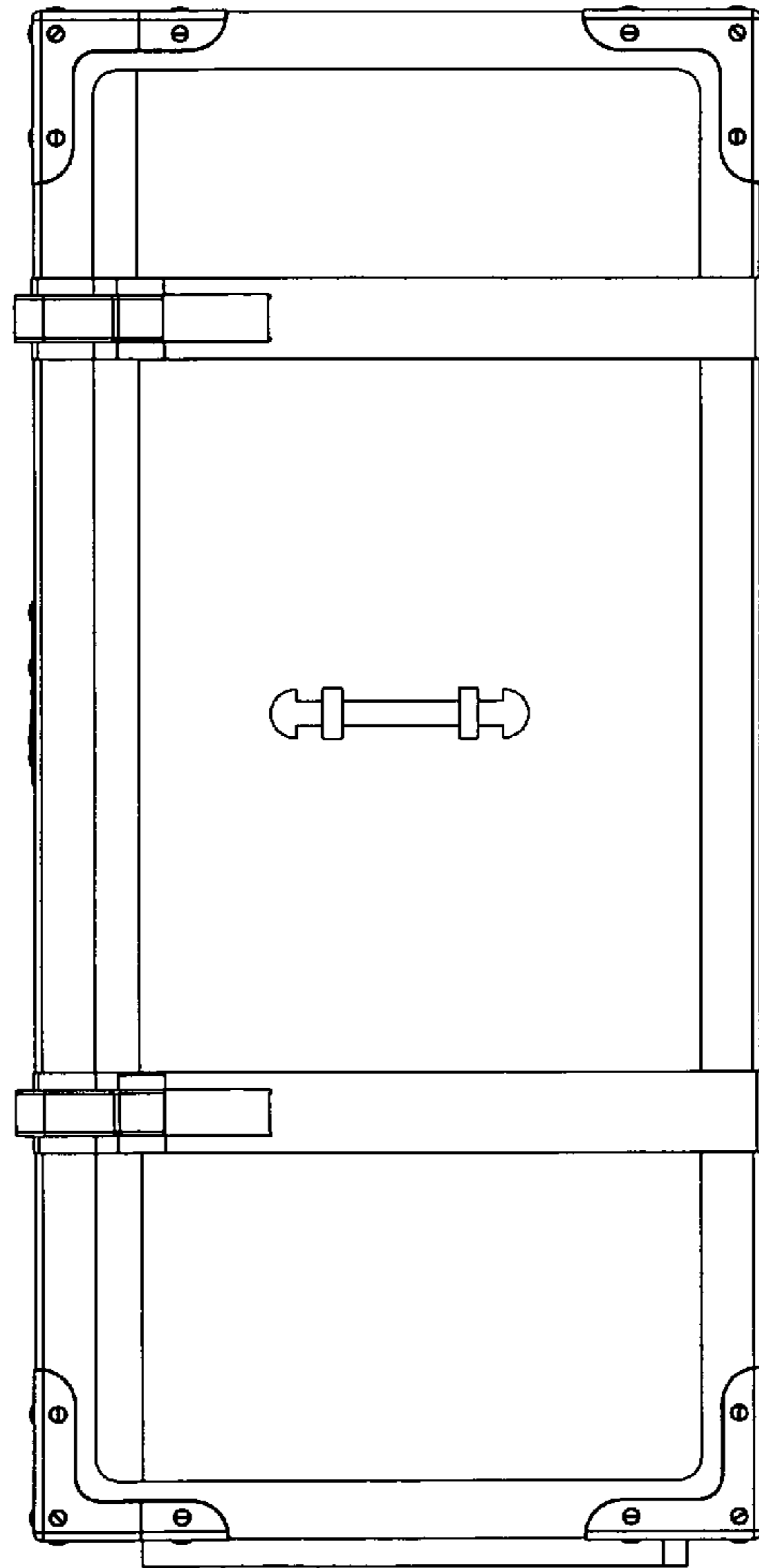


Fig. 4

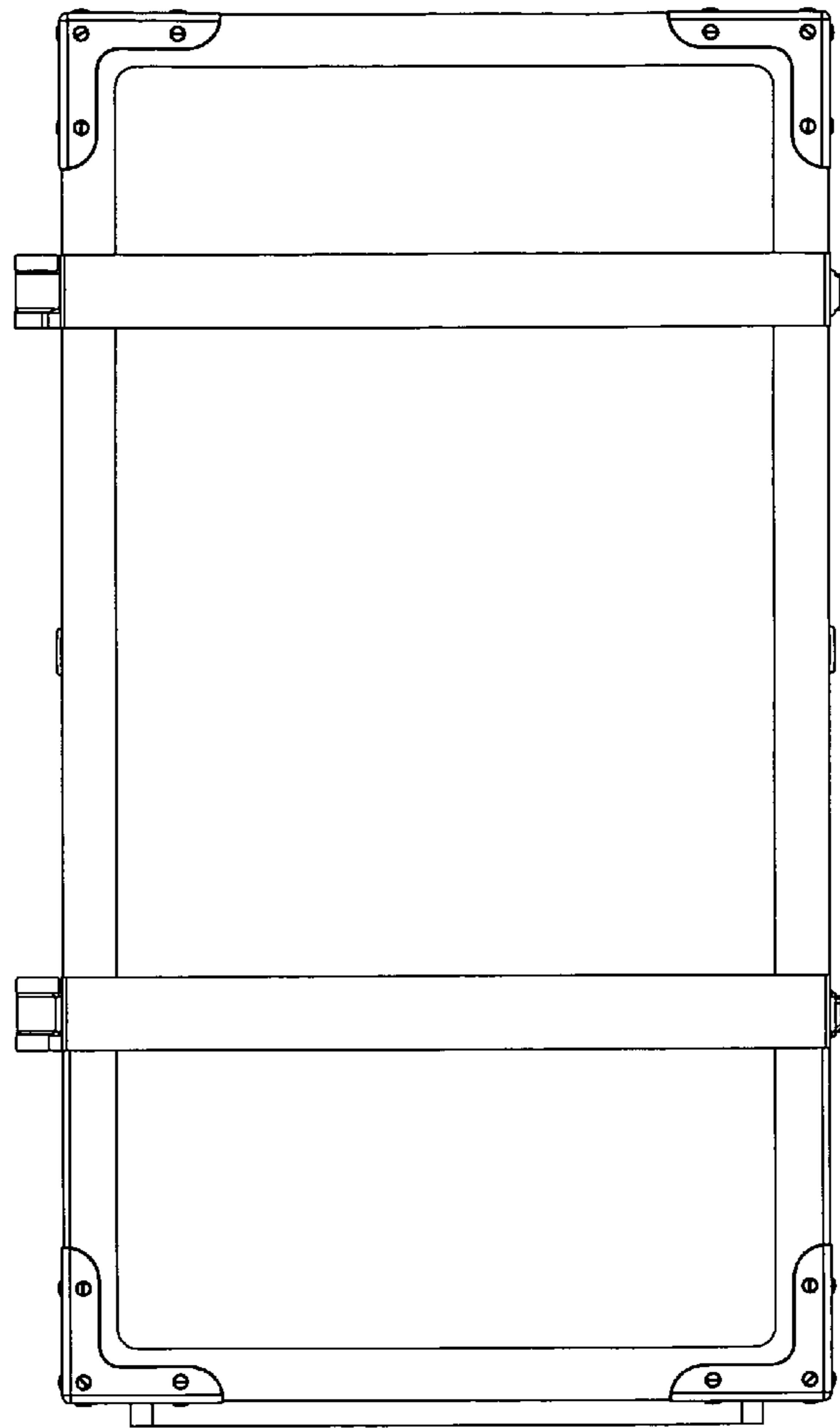


Fig. 5

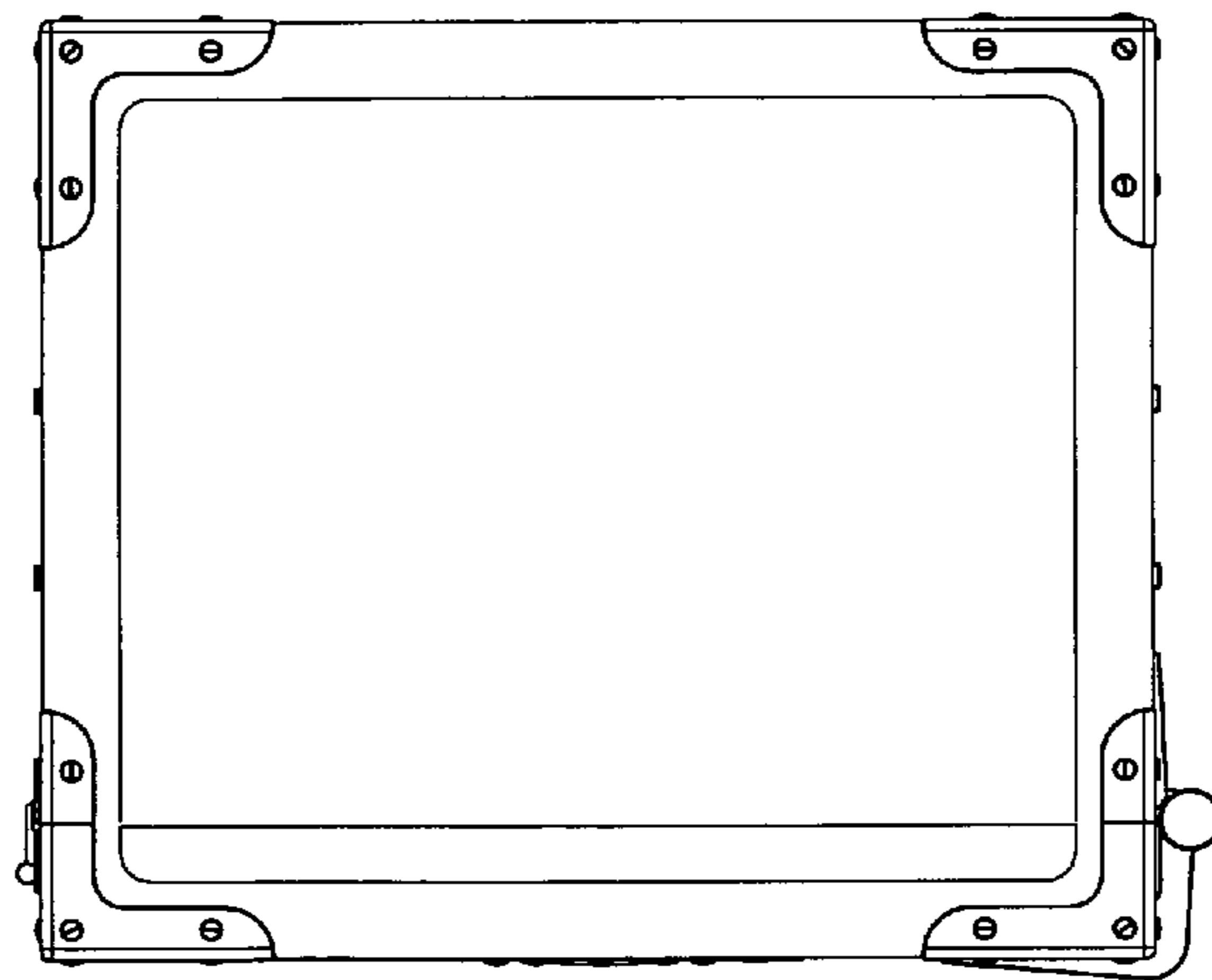


Fig.6

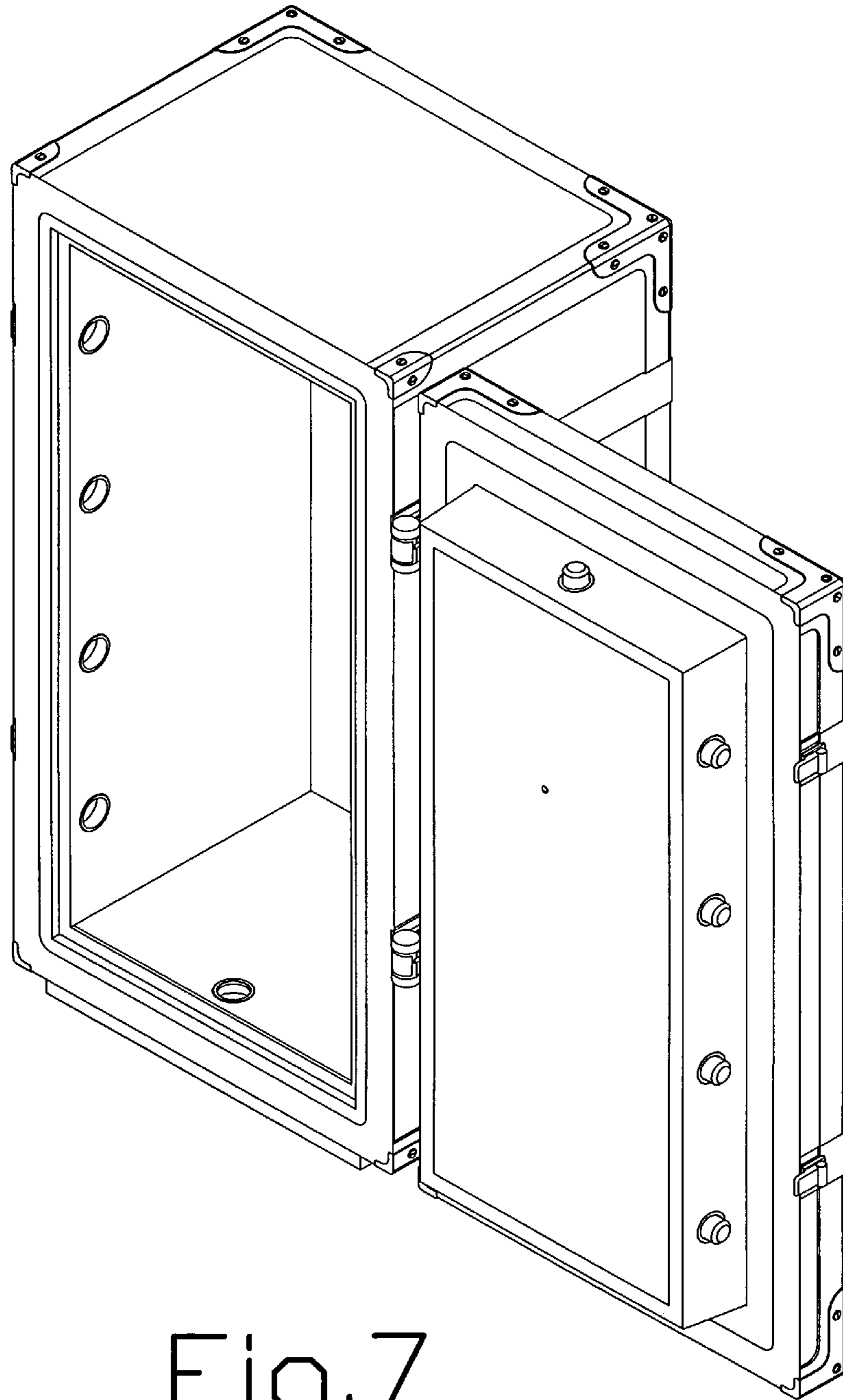


Fig. 7

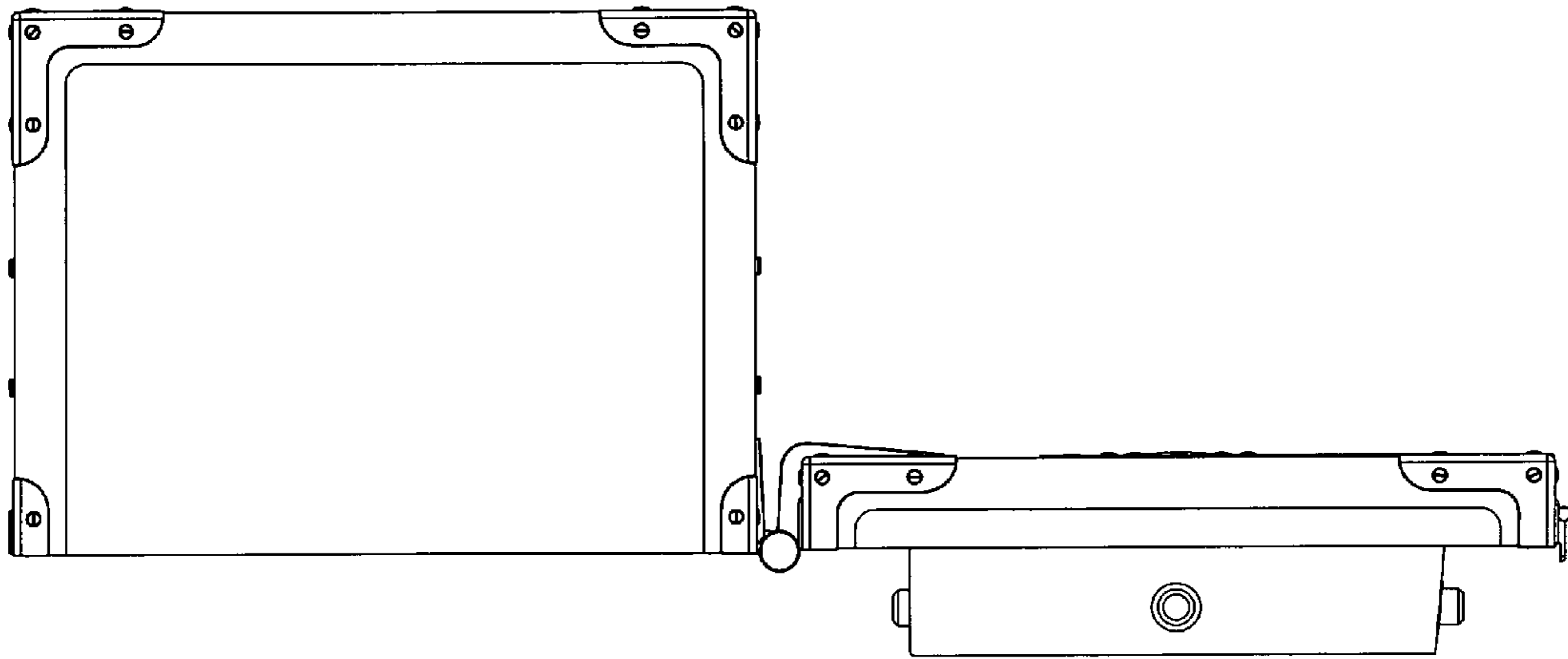


Fig. 8