



US00D620674S

(12) **United States Design Patent**
Biegel

(10) **Patent No.:** **US D620,674 S**
(45) **Date of Patent:** **** Jul. 27, 2010**

(54) **CREMATORY URN**

(76) Inventor: **Achim Biegel**, Humweilerstrasse 73 b,
Oberthal (DE) 66649

(**) Term: **14 Years**

(21) Appl. No.: **29/340,897**

(22) Filed: **Jul. 28, 2009**

(30) **Foreign Application Priority Data**

Apr. 29, 2009 (EM) 001130793-0003

(51) **LOC (9) Cl.** **99-01**

(52) **U.S. Cl.** **D99/5**

(58) **Field of Classification Search** D99/1,
D99/5; 27/1-10; D7/540, 591, 612, 619.1,
D7/624.3, 300.1; D23/366; D9/503; 206/776,
206/217, 229; 220/602, 568, 212, 212.5,
220/210, 200, 288, 62.18; 73/427
See application file for complete search history.

(56) **References Cited**

U.S. PATENT DOCUMENTS

323,420	A *	8/1885	Hills	220/23.87
590,336	A *	9/1897	Rossi	220/568
1,141,207	A *	6/1915	Parent	210/469
1,969,386	A *	8/1934	Reichenbach	220/568
1,969,486	A *	8/1934	Kurz	220/568
1,974,996	A *	9/1934	Punte	220/602
1,977,641	A *	10/1934	Loeber	220/212.5
2,013,615	A *	9/1935	Fontan	220/568
D98,914	S *	3/1936	Briscoe	D99/5
2,196,486	A *	4/1940	Anderson	220/288
2,235,617	A *	3/1941	Klinzing	220/288
2,364,916	A *	12/1944	Rasmussen	206/445
2,385,520	A *	9/1945	Klinzing	27/1
2,500,611	A *	3/1950	Kereluck	99/508
2,670,868	A *	3/1954	Stover et al.	215/46
2,786,595	A *	3/1957	Nelson	220/212
2,913,140	A *	11/1959	Vuillemenot	220/210
3,051,303	A *	8/1962	Daanen et al.	206/776
3,160,306	A *	12/1964	Smalley	220/512
3,323,683	A *	6/1967	Cianciolo	222/142.6

3,323,706	A *	6/1967	Gereke	206/217
D213,777	S *	4/1969	Chandler	D99/5
D214,894	S *	8/1969	Chandler	D99/5
D257,819	S *	1/1981	Morin	D7/591
D263,088	S *	2/1982	Krech	D99/5
4,595,009	A *	6/1986	Leinders	607/5
D294,446	S *	3/1988	Tardif	D7/612
4,938,353	A *	7/1990	Bell	206/339
5,082,136	A *	1/1992	Schumann	220/278
5,172,457	A *	12/1992	Allen et al.	27/1
5,180,079	A *	1/1993	Jeng	220/705
D345,676	S *	4/1994	Biffle	D7/619.1
D356,422	S *	3/1995	Parker	D99/5
D360,732	S *	7/1995	Parker	D99/5
D398,733	S *	9/1998	Diviak, Sr.	D99/5

(Continued)

FOREIGN PATENT DOCUMENTS

EM 000981089-0001 S 8/2008

(Continued)

Primary Examiner—Paula Greene

(57) **CLAIM**

The ornamental design for a crematory urn, as shown and described.

DESCRIPTION

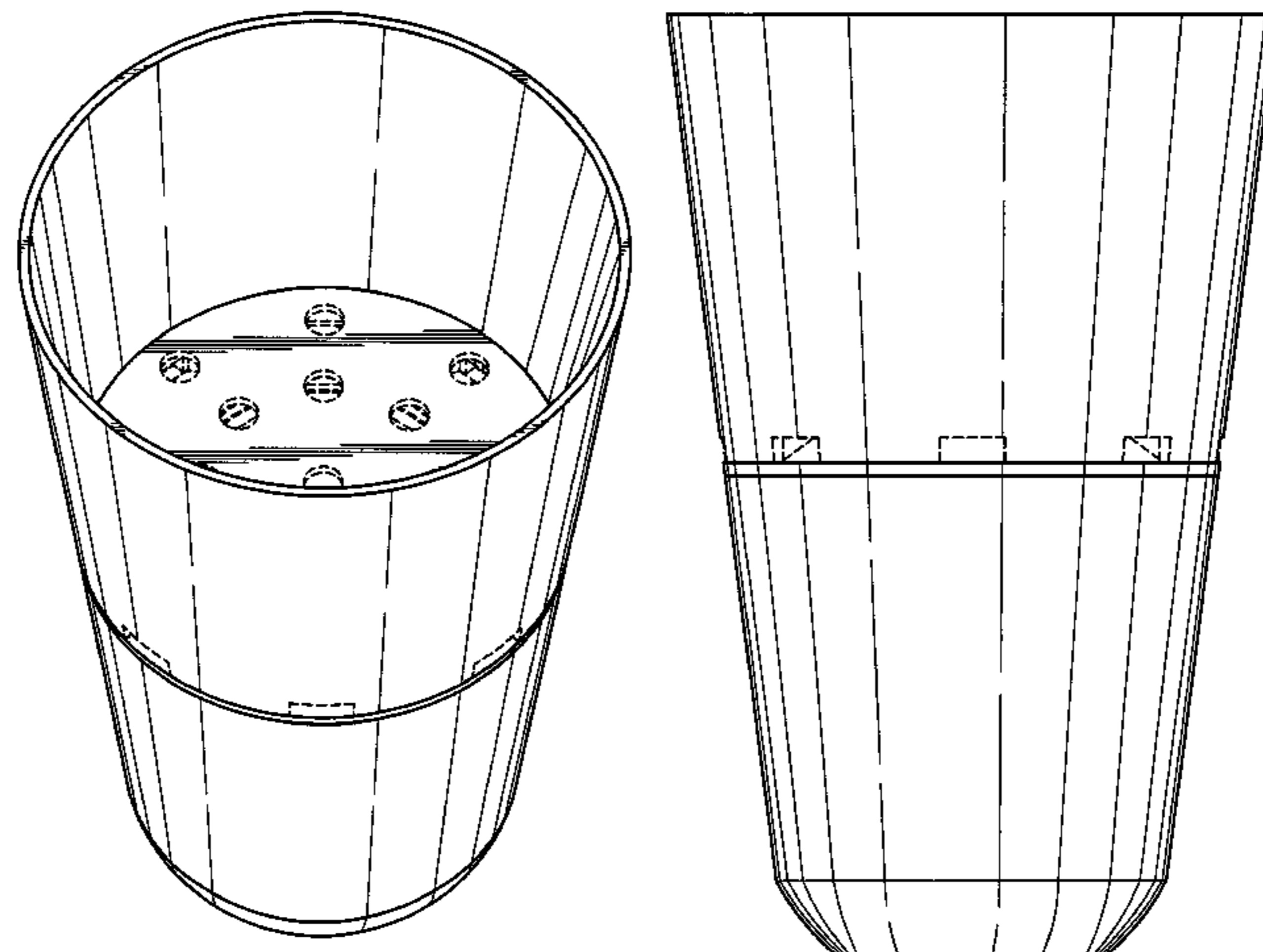
FIG. 1 is a perspective view of a crematory urn showing my new design;

FIG. 2 is a front elevational view, the left side, right side, and rear elevational views are a mirror image thereof;

FIG. 3 is a top plan view thereof; and,

FIG. 4 is a bottom plan view thereof.

1 Claim, 4 Drawing Sheets



US D620,674 S

Page 2

U.S. PATENT DOCUMENTS

D411,747 S * 6/1999 Kokenge et al. D9/503
D452,826 S * 1/2002 Bezek et al. D9/503
D479,641 S * 9/2003 Robinson D99/5
D614,825 S * 4/2010 Biegel D99/5

EM 000981089-0005 S 8/2008
EM 000981089-0006 S 8/2008
EM 000981089-0007 S 8/2008

FOREIGN PATENT DOCUMENTS

EM 000981089-0003 S 8/2008

* cited by examiner

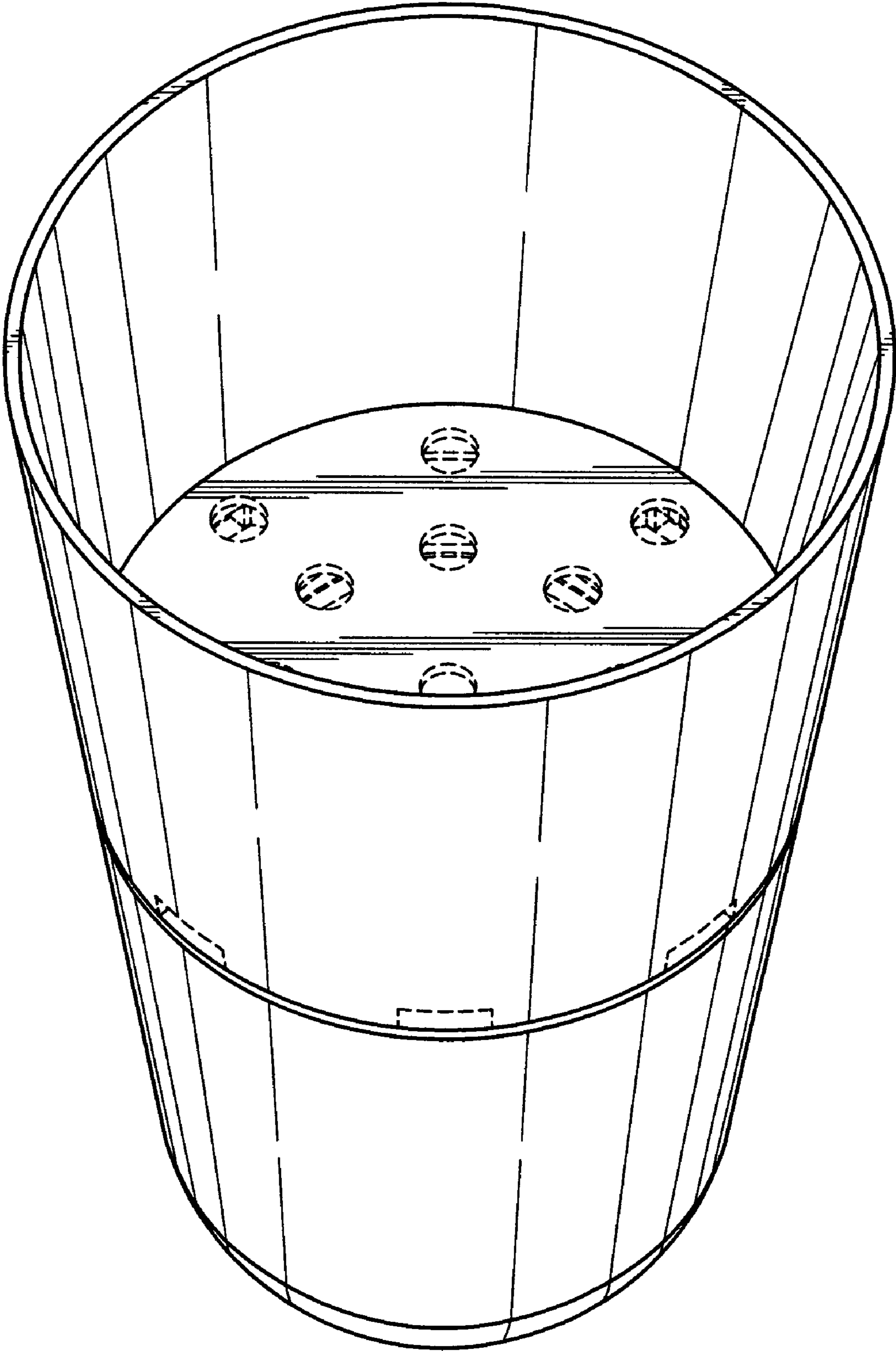


Fig. 1

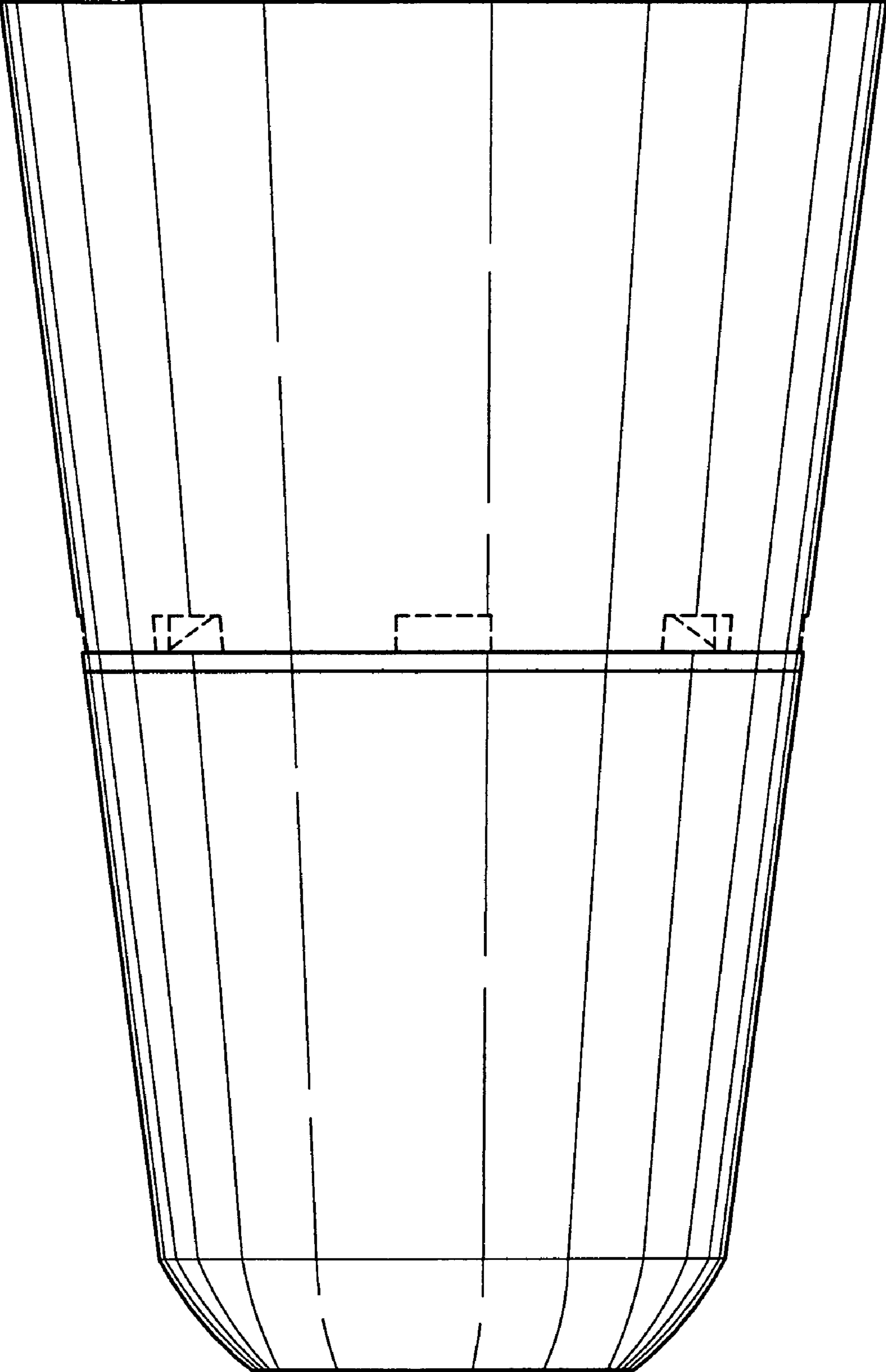


Fig. 2

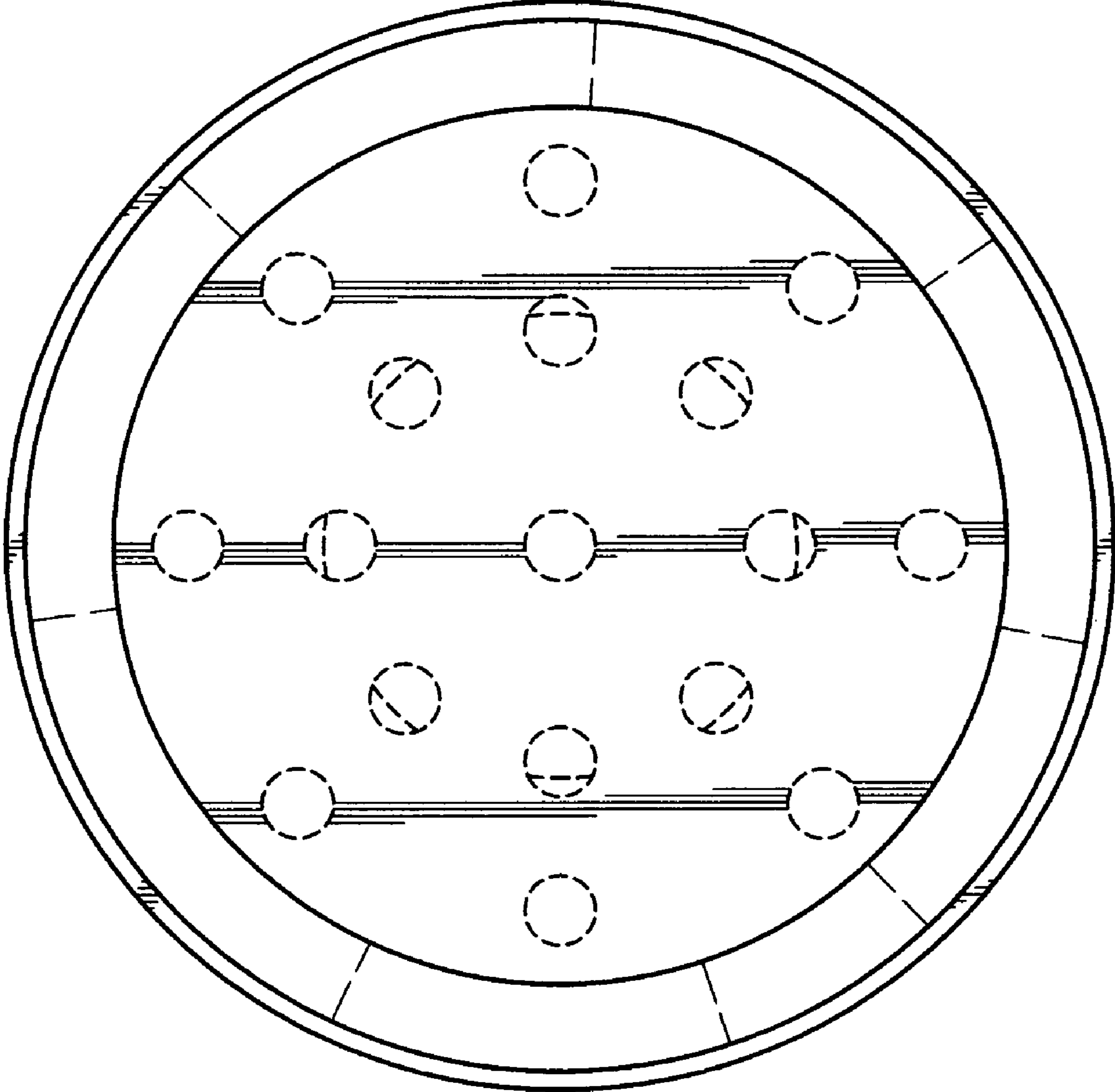


Fig. 3

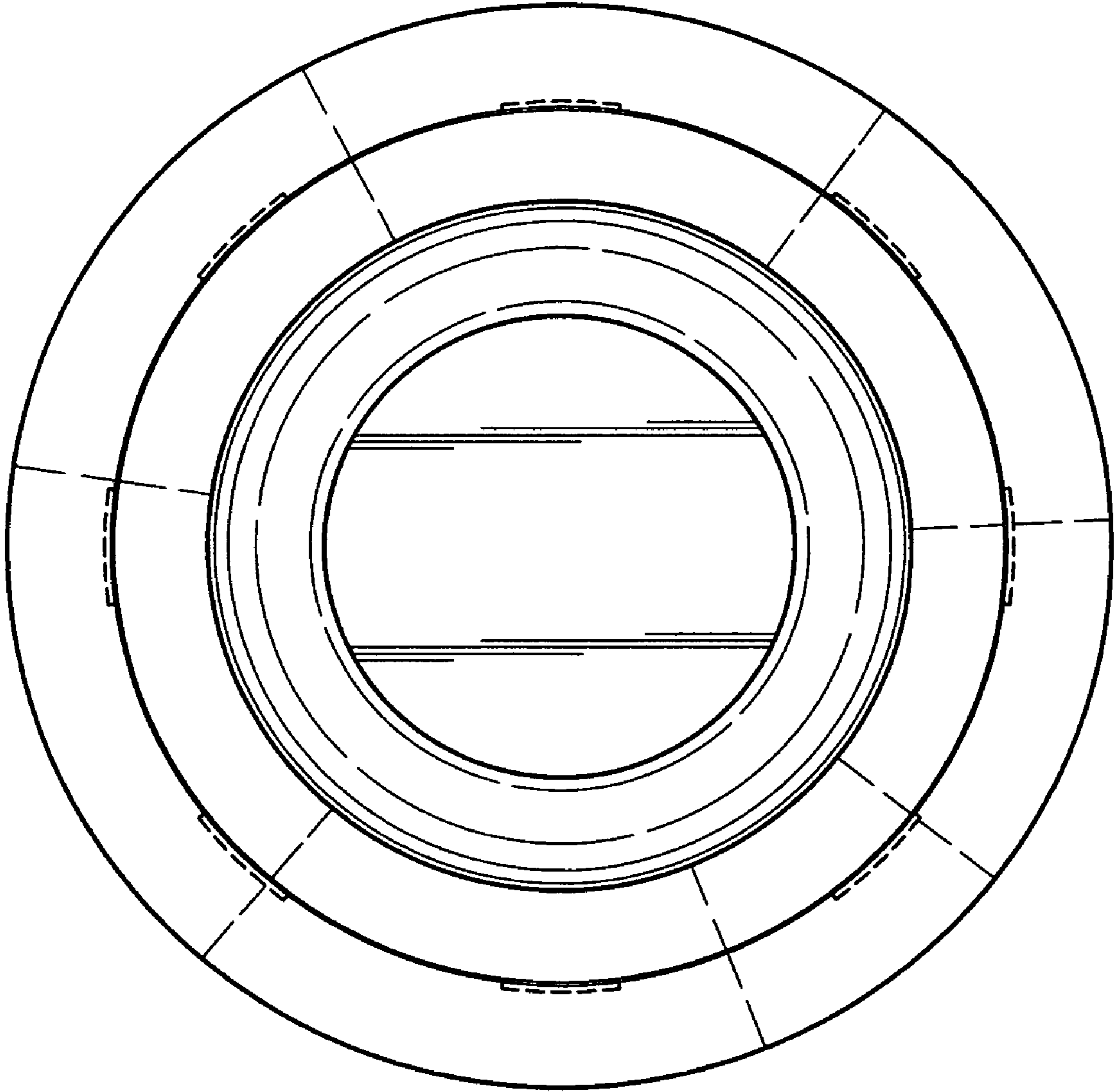


Fig. 4