



US00D620672S

(12) **United States Design Patent**
Chen

(10) **Patent No.:** **US D620,672 S**
(45) **Date of Patent:** **** Jul. 27, 2010**

(54) **NUT MEMBER FOR USE IN A SCISSOR JACK**

(75) Inventor: **Tai-Chuan Chen**, Miaoli County (TW)

(73) Assignee: **Shinn Fu Corporation**, Taipei (TW)

(**) Term: **14 Years**

(21) Appl. No.: **29/342,811**

(22) Filed: **Sep. 1, 2009**

(51) **LOC (9) Cl.** **12-05**

(52) **U.S. Cl.** **D34/35**

(58) **Field of Classification Search** D34/31,
D34/35, 28; D8/14, 299; 254/8 B, 2 R, 11,
254/12, 100, DIG. 1, 93 R, 89 R, 93 H, DIG. 8,
254/6 R, 7 R, DIG. 4, 424, 84

See application file for complete search history.

(56) **References Cited**

U.S. PATENT DOCUMENTS

1,362,630	A *	12/1920	Lafrance	254/126
D151,974	S *	12/1948	Gambardella	D34/31
2,618,464	A *	11/1952	Sintz	254/100
4,460,294	A *	7/1984	Cobb et al.	405/290
4,558,848	A *	12/1985	Rutter	254/100
5,199,688	A *	4/1993	Engel	254/126
5,421,554	A *	6/1995	Hsu	254/8 B
6,070,856	A *	6/2000	Alten	254/126
6,079,931	A *	6/2000	English et al.	414/458
6,464,206	B1 *	10/2002	Alten	254/126
6,634,688	B2 *	10/2003	Foat et al.	296/1.01
D481,849	S *	11/2003	Waltz et al.	D34/31
D532,576	S *	11/2006	Simpson et al.	D34/31

OTHER PUBLICATIONS

Pro-Lift "Specialty Lift" brochure, 1 page.

* cited by examiner

Primary Examiner—Cynthia E Ramirez

(74) *Attorney, Agent, or Firm*—Lathrop & Gage LLP

(57) **CLAIM**

The ornamental design for a nut member for use in a scissor jack, as shown and described.

DESCRIPTION

FIG. 1 is a perspective view of a nut member for use in a scissor jack showing the new design, the nut member for use in a scissor jack being employed in a scissor jack which forms no part of the claimed design;

FIG. 2 is a perspective view of the nut member for use in a scissor jack of FIG. 1;

FIG. 3 is a top view of the nut member for use in a scissor jack of FIG. 1.

FIG. 4 is a front view of the nut member for use in a scissor jack of FIG. 1;

FIG. 5 is a left end view of the nut member for use in a scissor jack of FIG. 1;

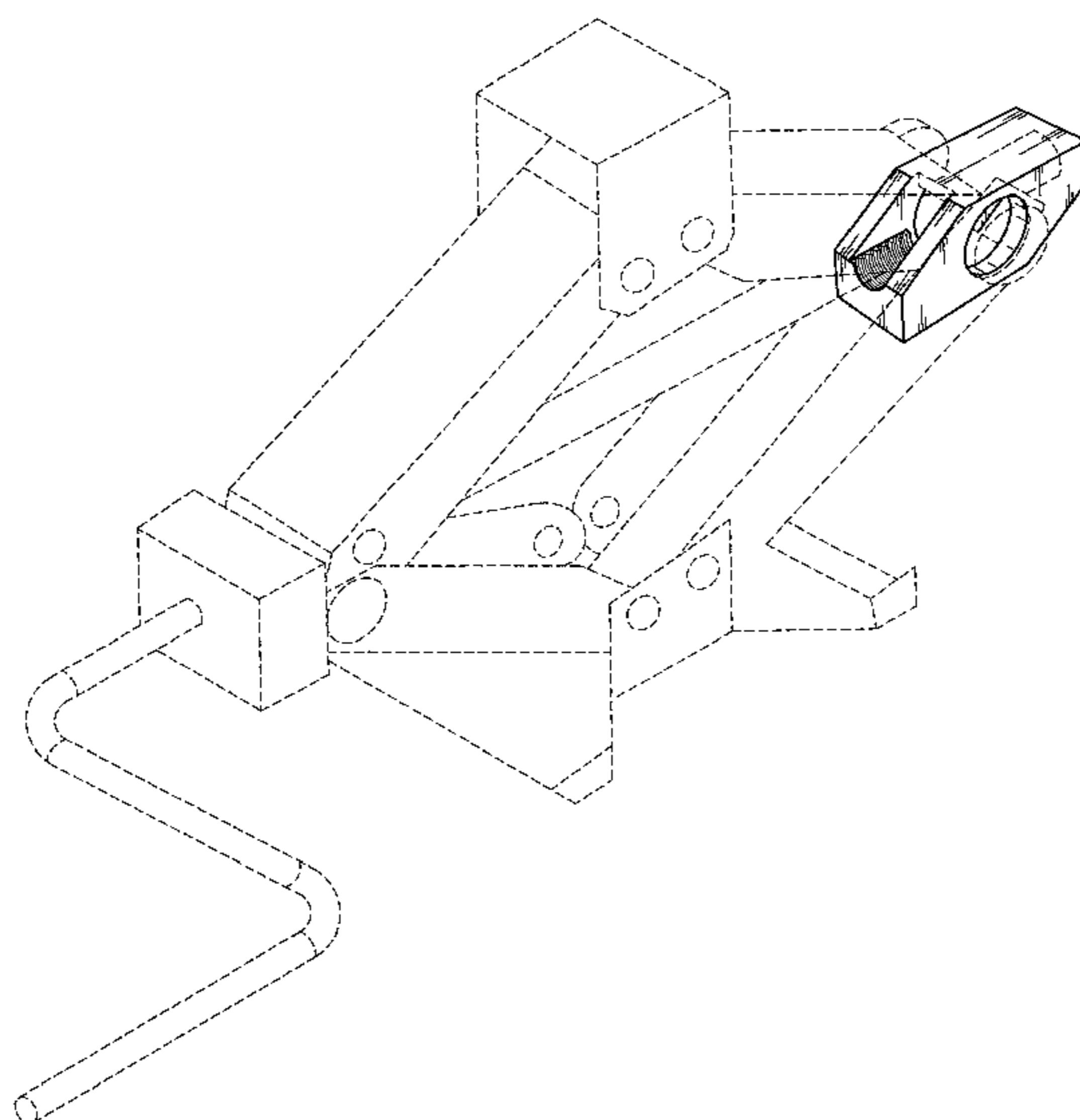
FIG. 6 is a right end view of the nut member for use in a scissor jack of FIG. 1;

FIG. 7 is a bottom view of the nut member for use in a scissor jack of FIG. 1; and,

FIG. 8 is a rear view of the nut member for use in a scissor jack of FIG. 1.

The broken line showing of some elements in the figures is included for the purpose of illustrating environment and forms no part of the claimed design.

1 Claim, 4 Drawing Sheets



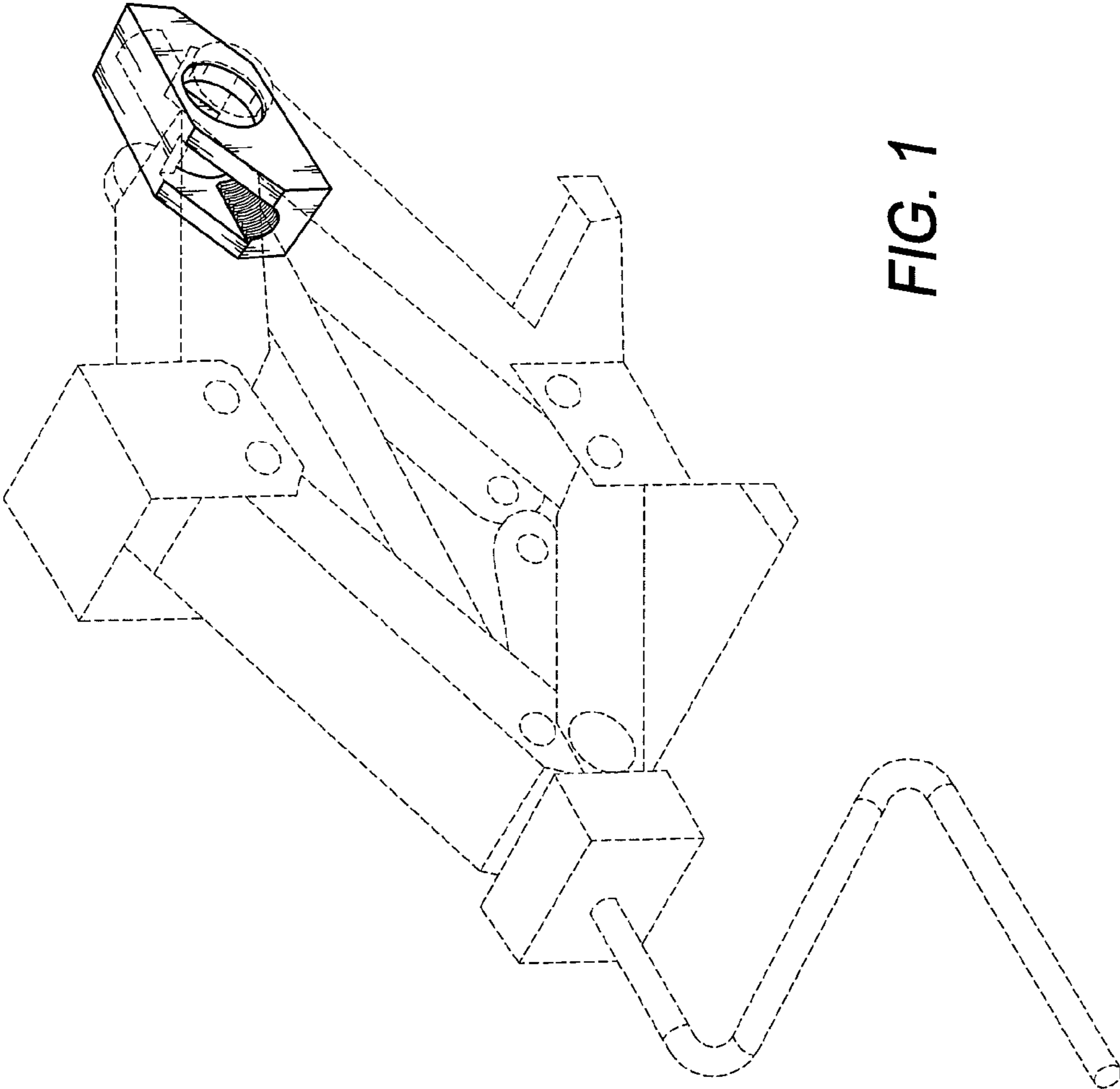


FIG. 1

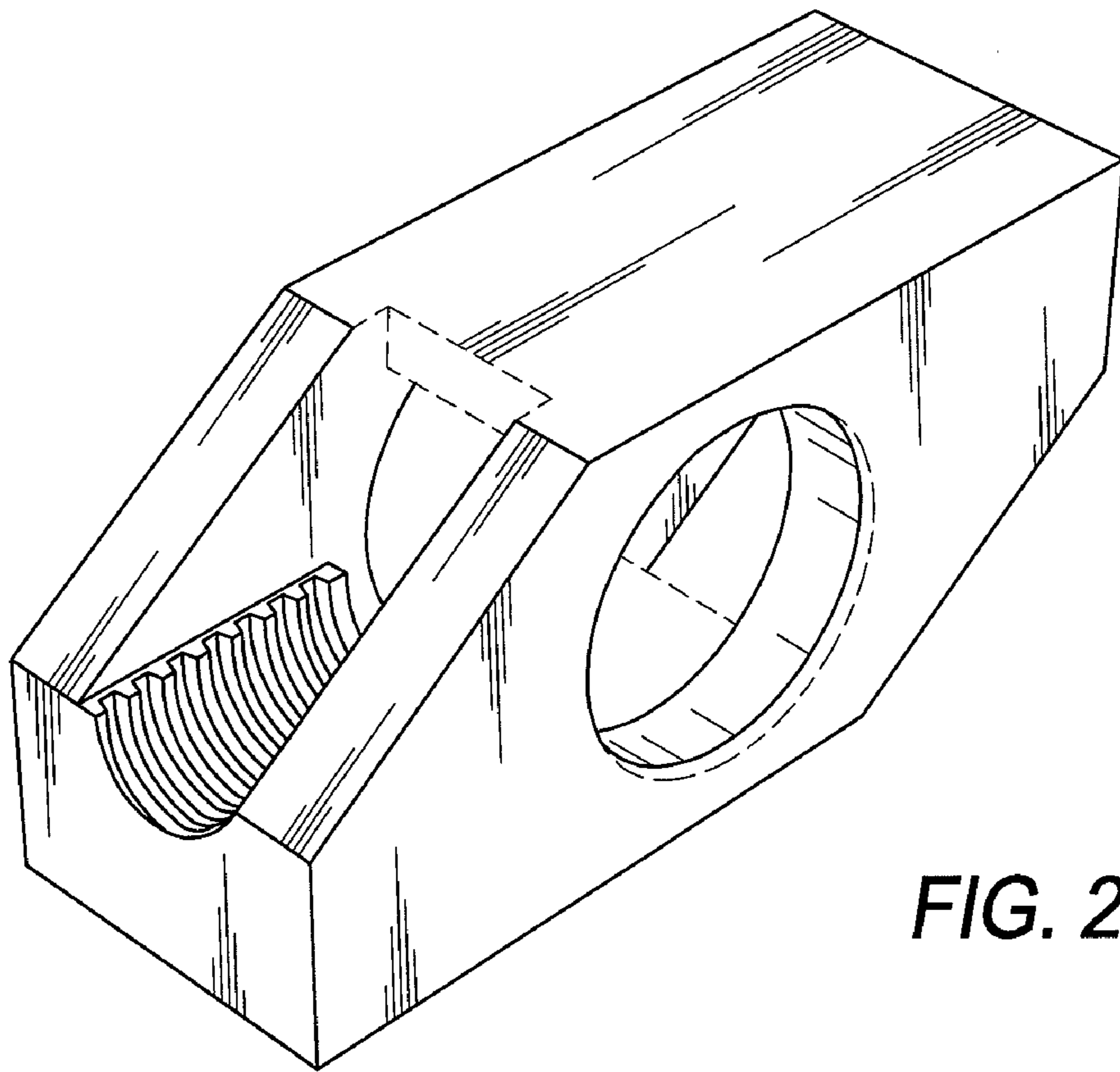


FIG. 2

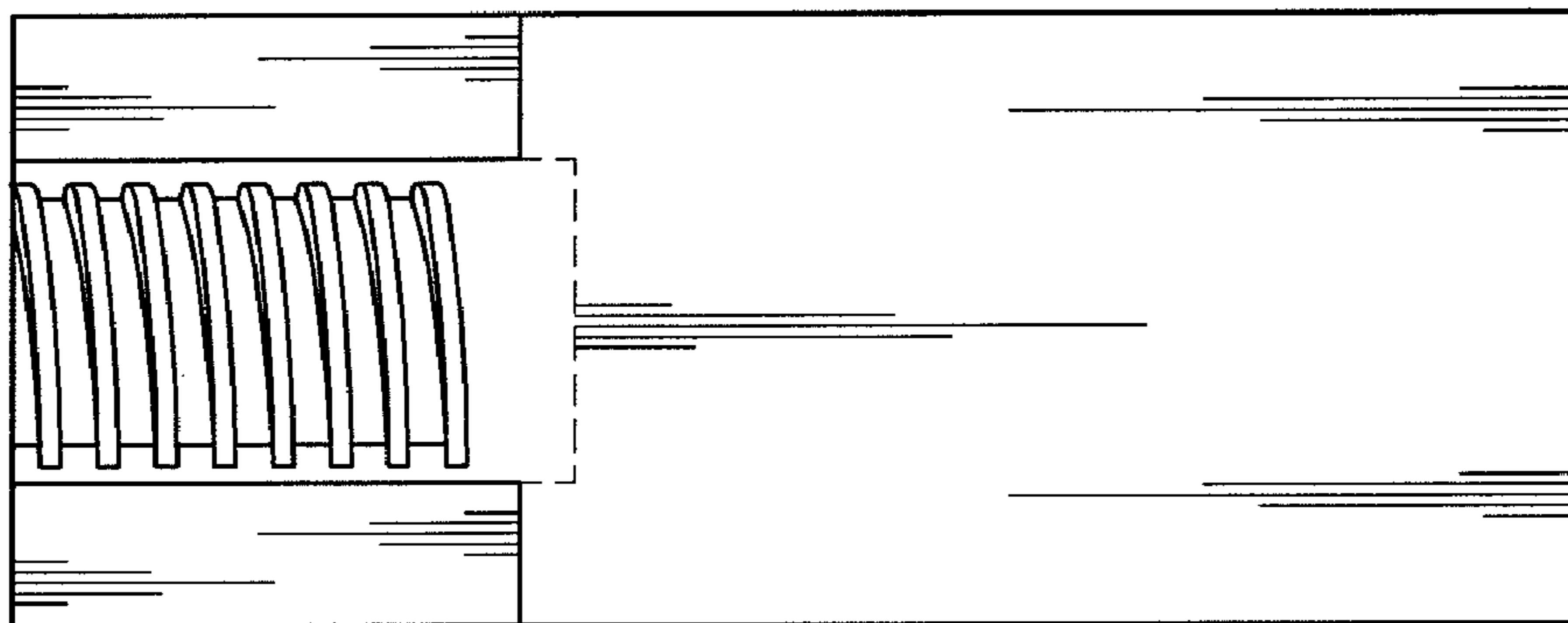


FIG. 3

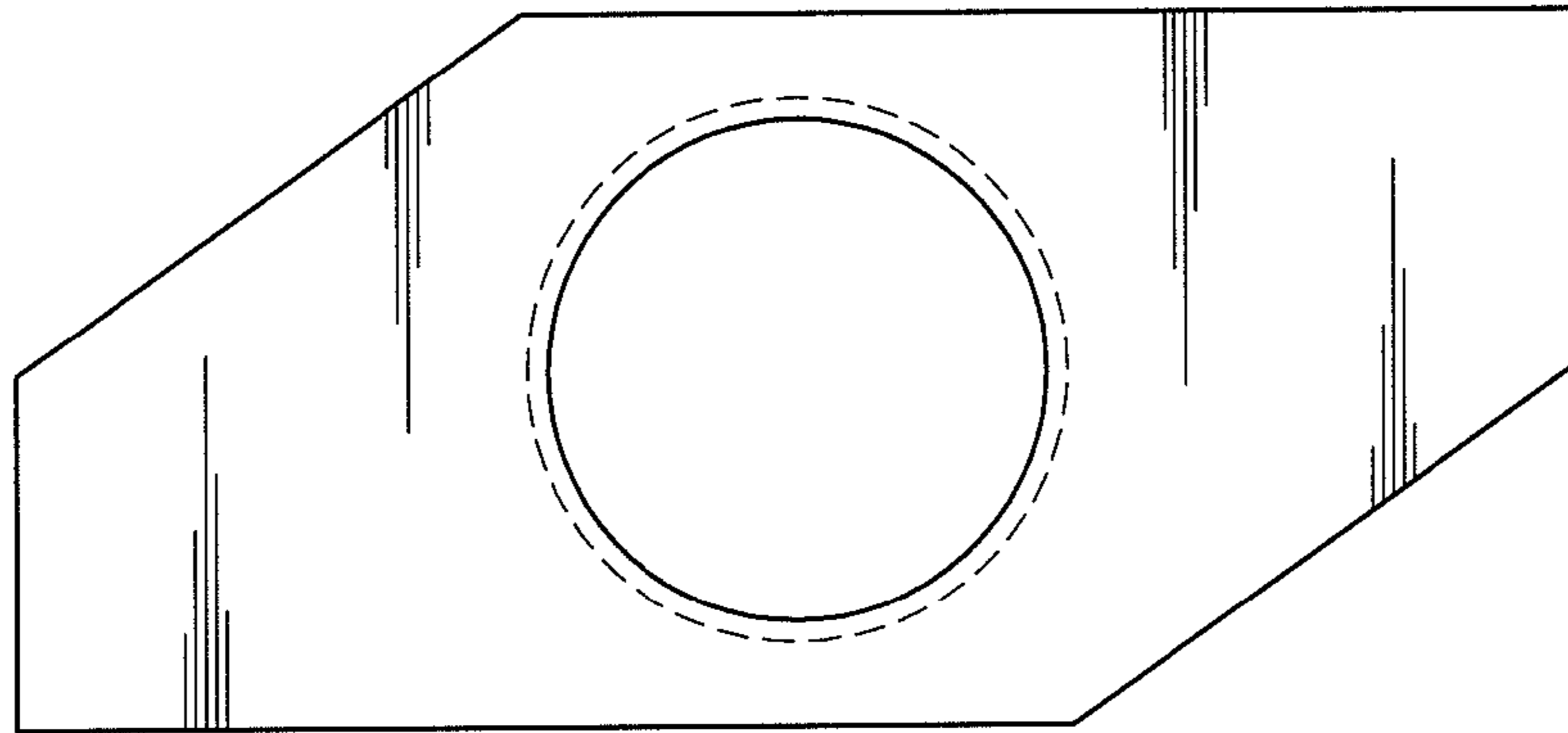


FIG. 4

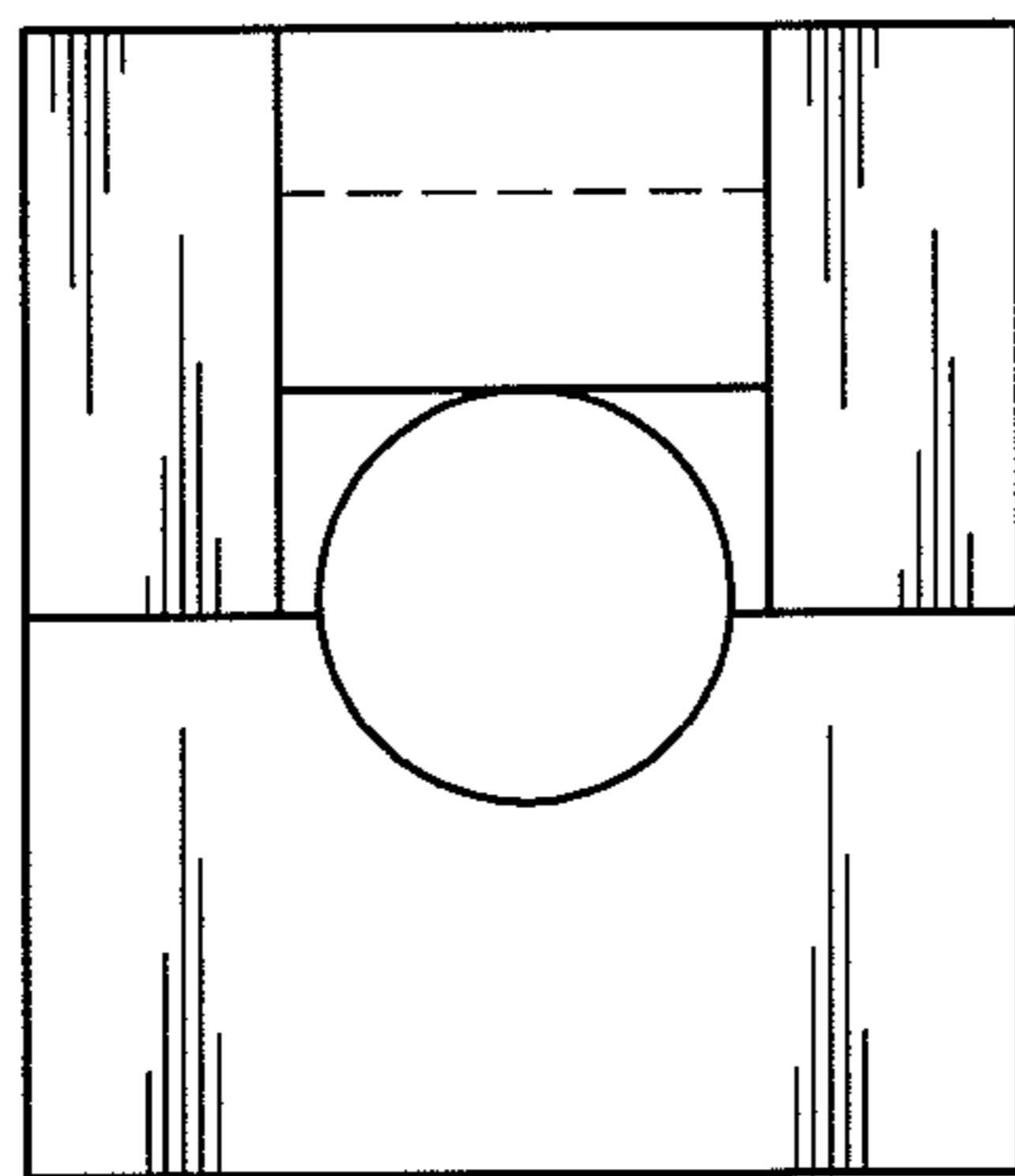


FIG. 5

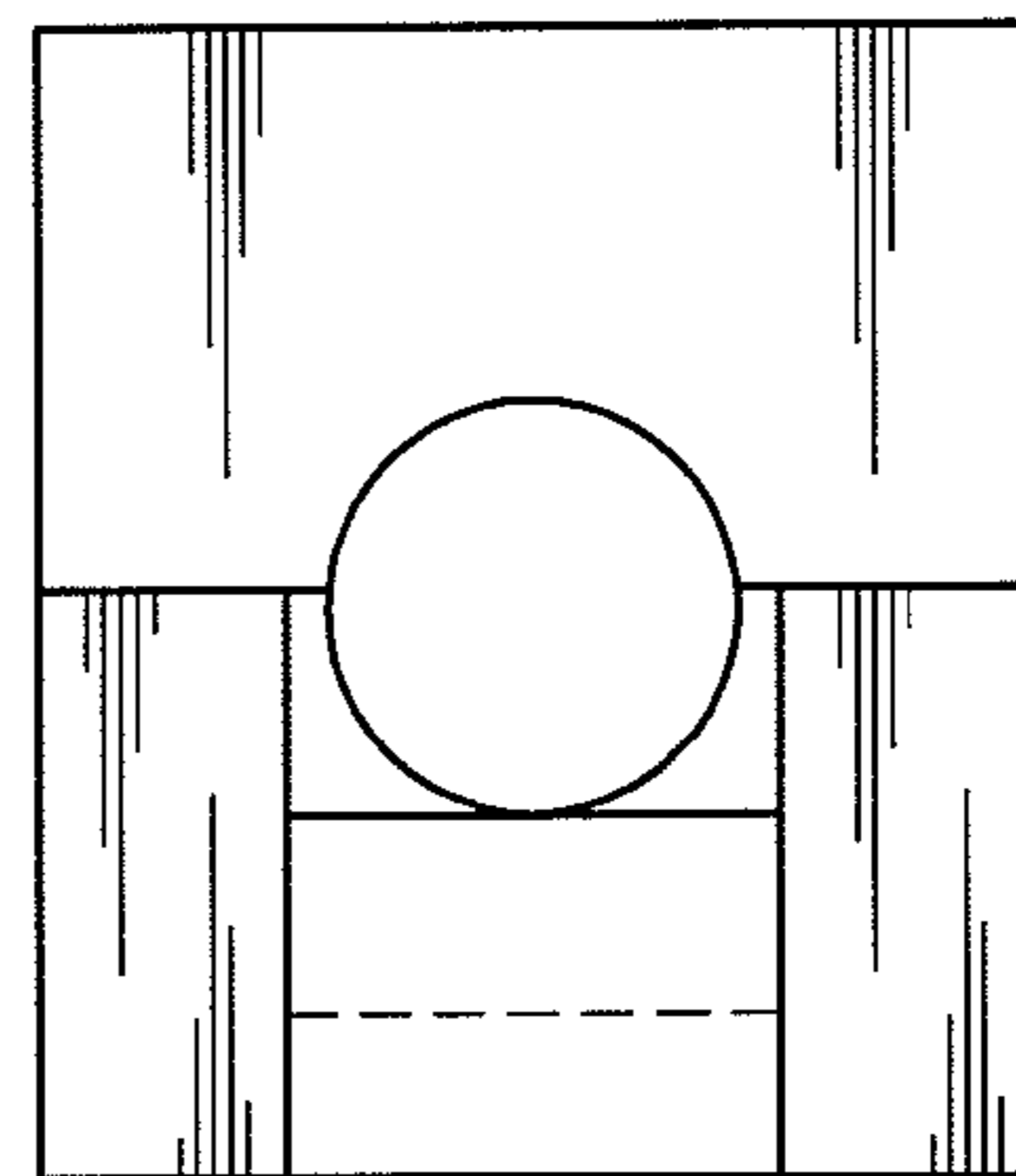


FIG. 6

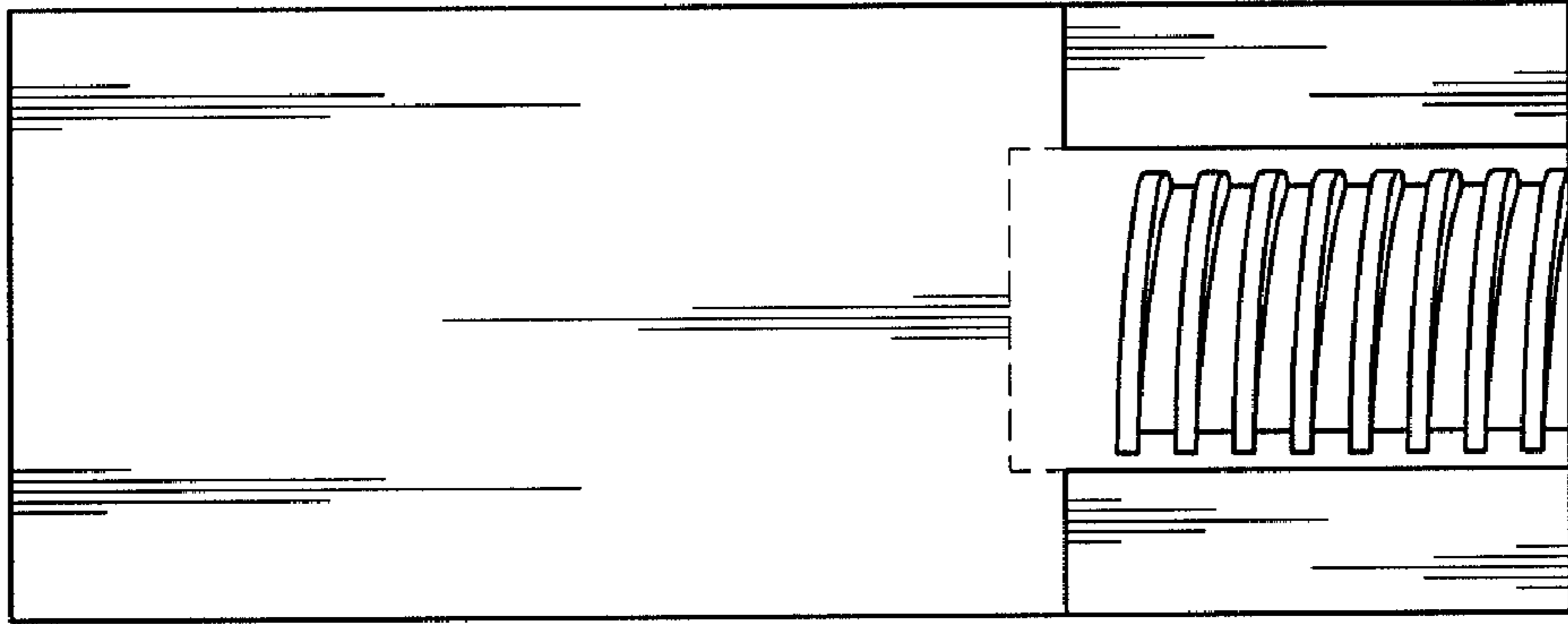


FIG. 7

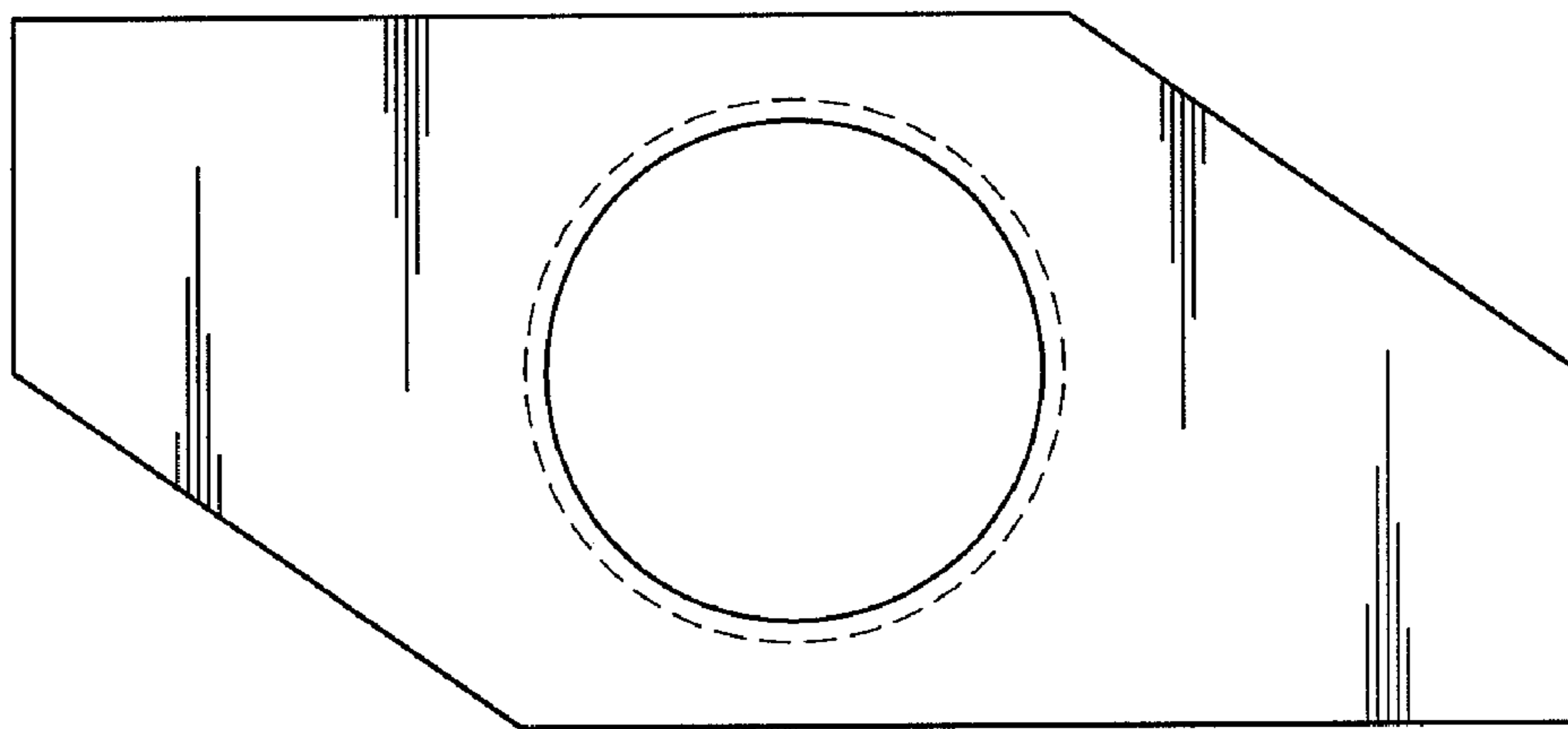


FIG. 8