



US00D620670S

(12) **United States Design Patent**
Airaksinen

(10) **Patent No.:** **US D620,670 S**

(45) **Date of Patent:** **** Jul. 27, 2010**

(54) **CONVEYOR**

(75) Inventor: **Pentti Airaksinen**, Oulu (FI)

(73) Assignee: **Xemec Oy**, Oulu (FI)

(**) Term: **14 Years**

(21) Appl. No.: **29/347,071**

(22) Filed: **Sep. 15, 2009**

(30) **Foreign Application Priority Data**

Mar. 30, 2009 (EM) 001120661-0001

(51) **LOC (9) Cl.** **12-05**

(52) **U.S. Cl.** **D34/29**

(58) **Field of Classification Search** D34/29,
D34/35; 198/831, 834, 835, 838, 842, 845

See application file for complete search history.

(56) **References Cited**

U.S. PATENT DOCUMENTS

D371,667 S * 7/1996 Poole D34/29

5,667,058 A * 9/1997 Bonnet 198/831
2009/0250322 A1 * 10/2009 Jager 198/835

* cited by examiner

Primary Examiner—Cynthia E Ramirez

(74) *Attorney, Agent, or Firm*—Dykema Gossett PLLC

(57) **CLAIM**

The ornamental design for a conveyor, as shown and described.

DESCRIPTION

FIG. 1 is a perspective top and left side view of a conveyor showing my new design;

FIG. 2 is a perspective top and right side view thereof;

FIG. 3 is a top view thereof;

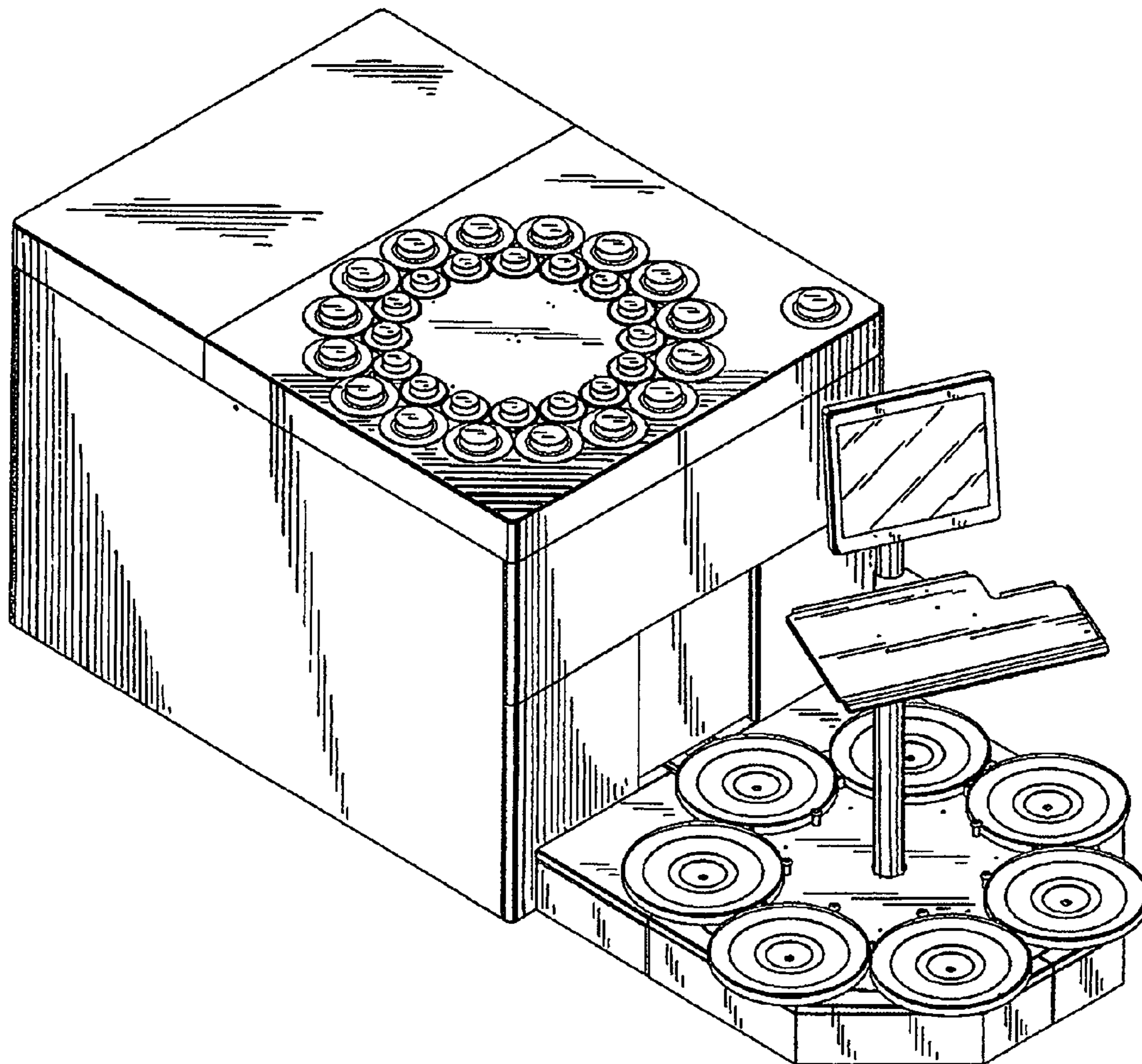
FIG. 4 is a front view thereof;

FIG. 5 is a rear view thereof;

FIG. 6 is a right side view thereof; and,

FIG. 7 is a left side view thereof.

1 Claim, 7 Drawing Sheets



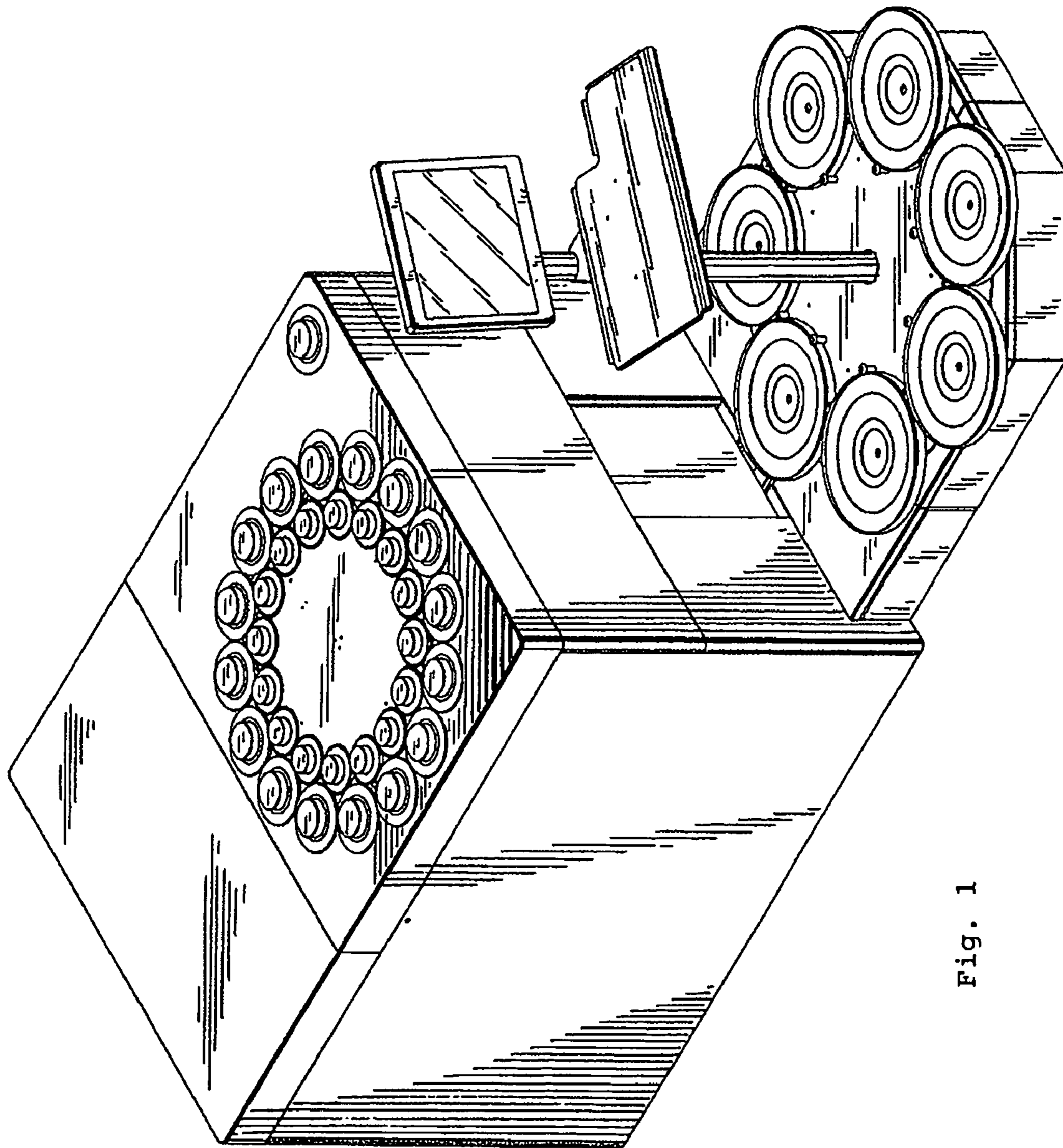


Fig. 1

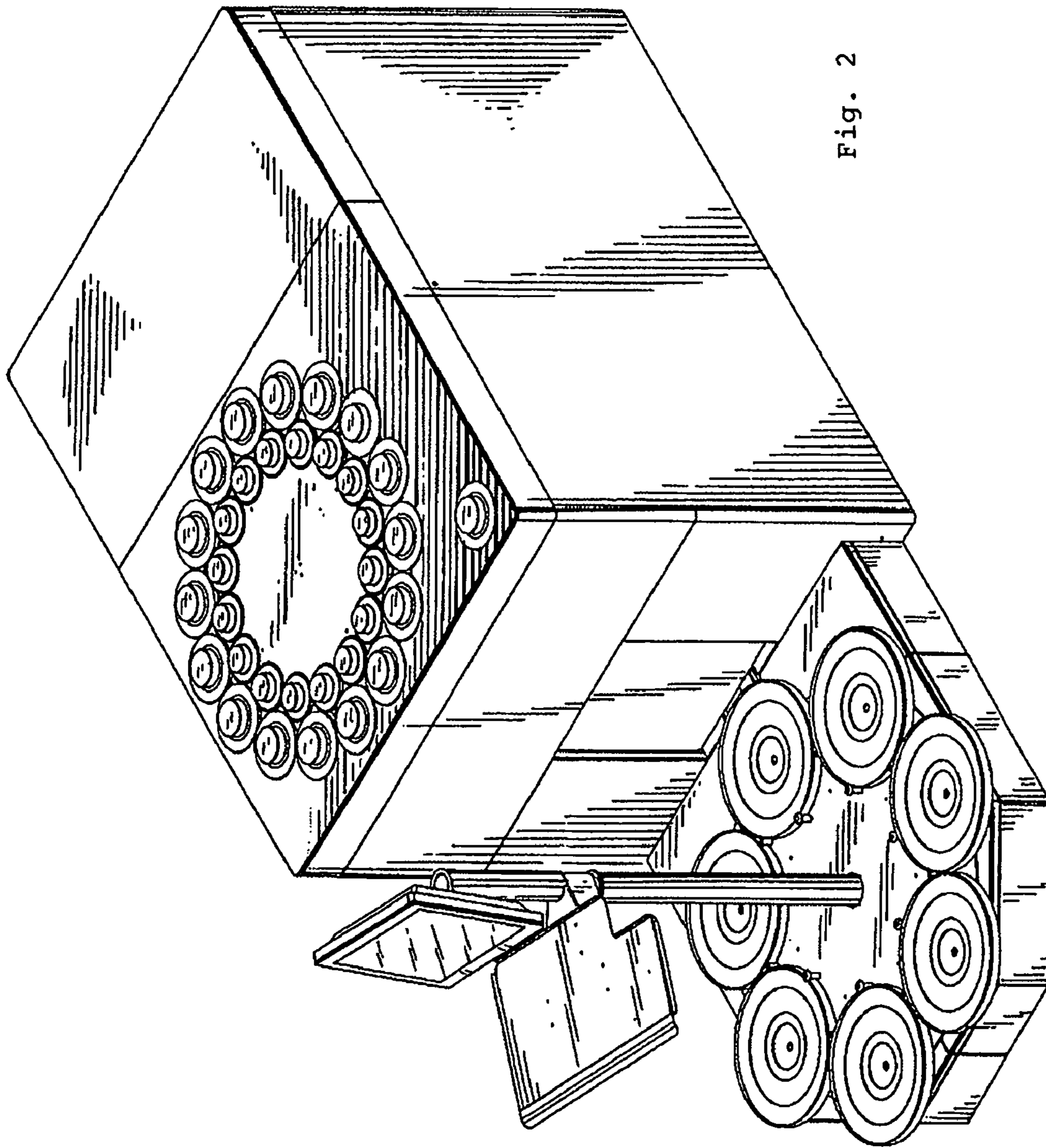


Fig. 2

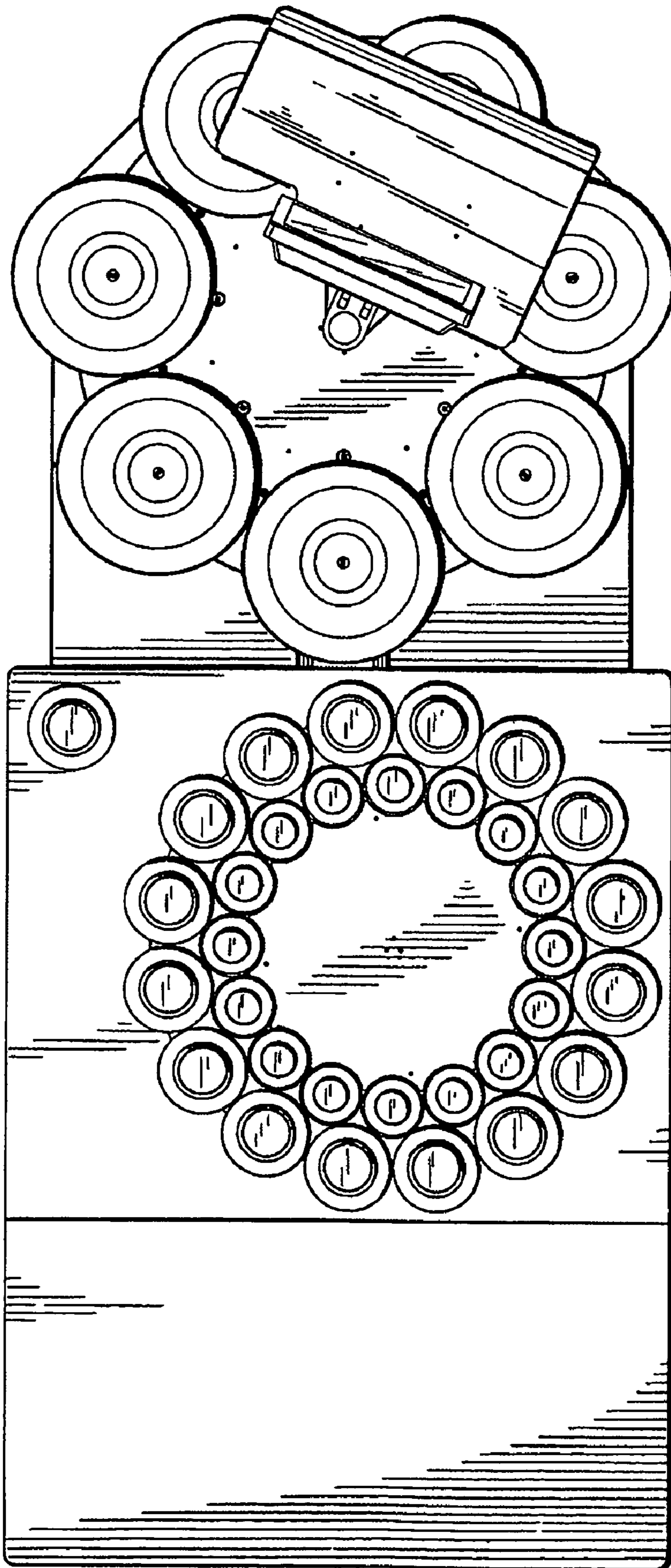


Fig. 3

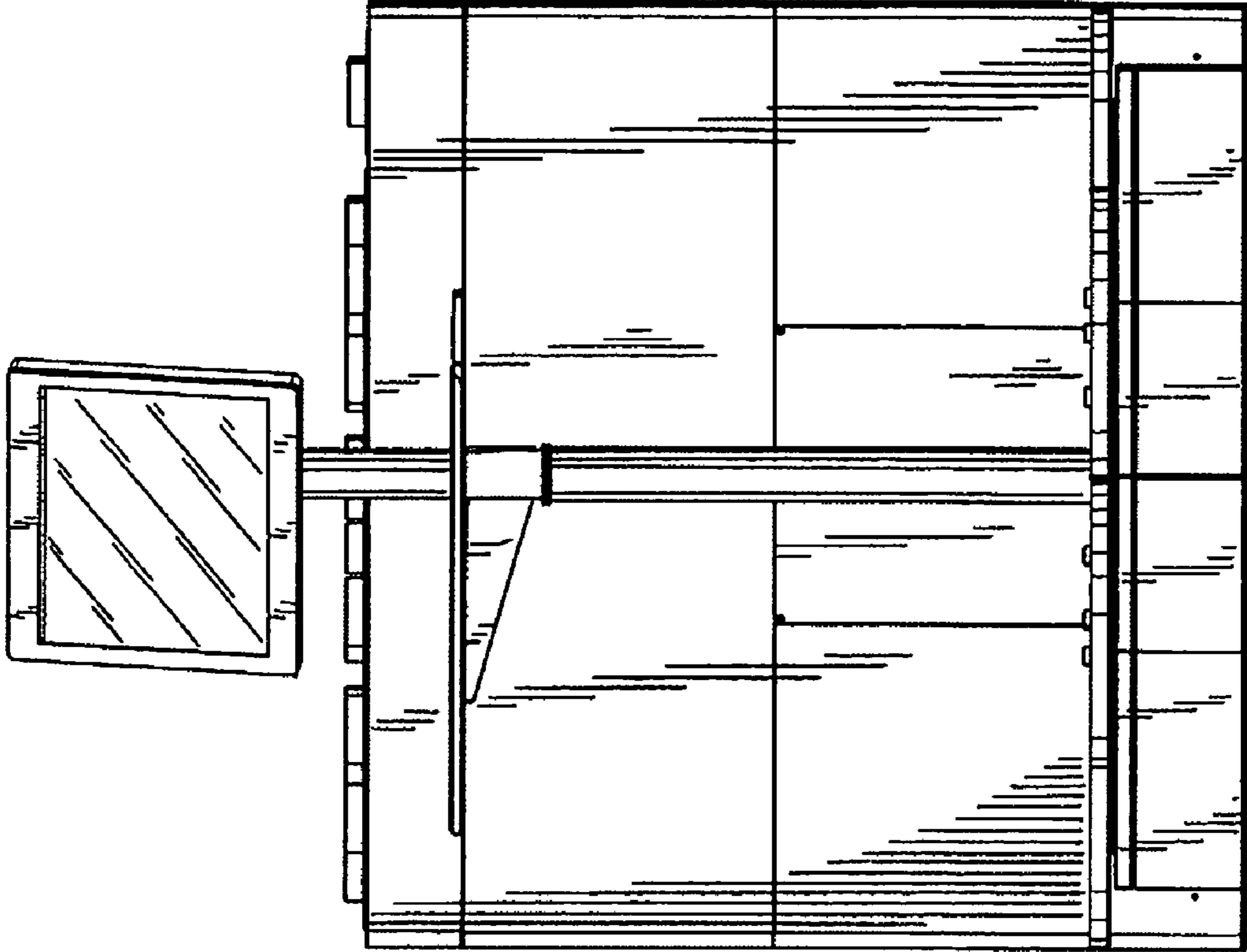


Fig. 4

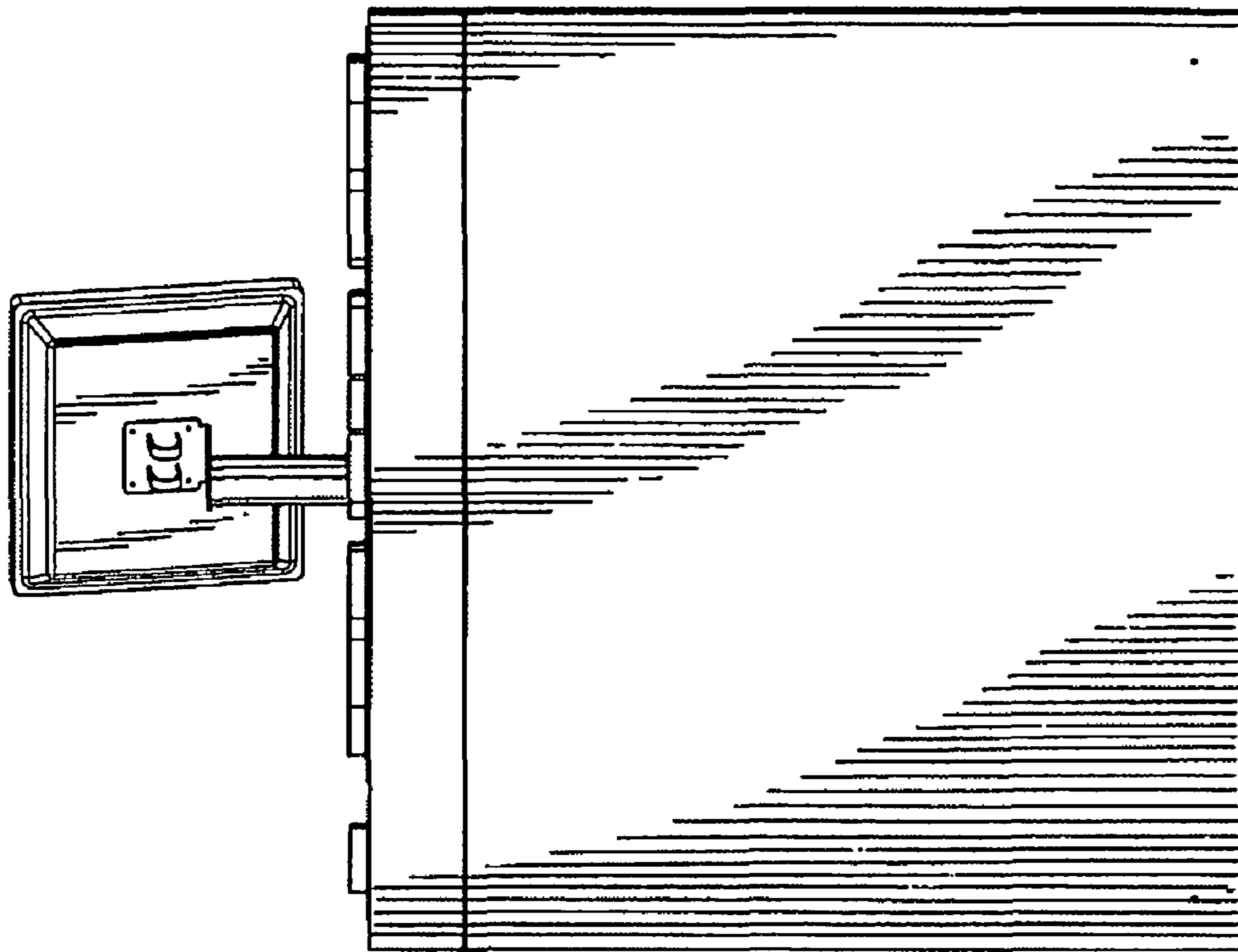


Fig. 5

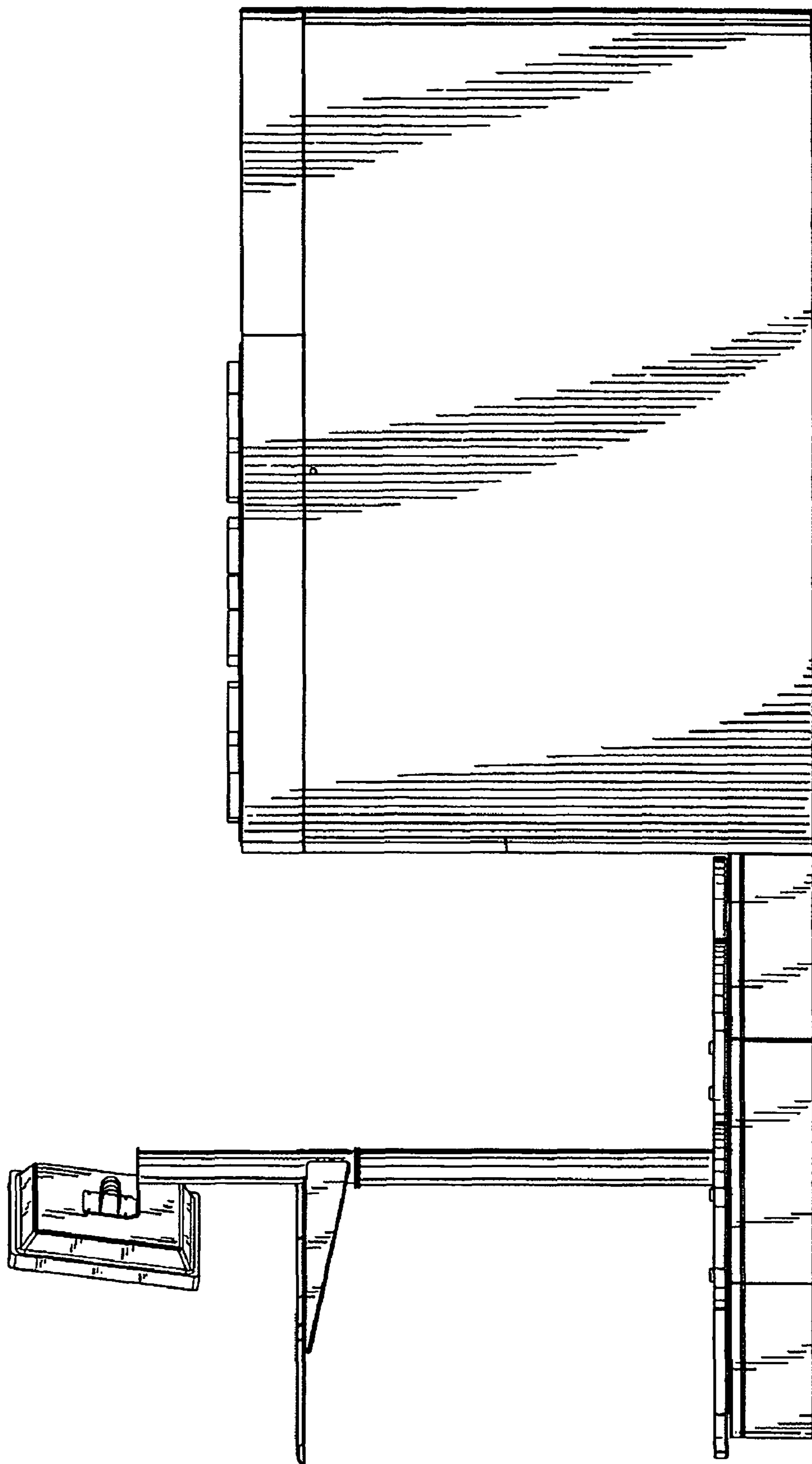


Fig. 6

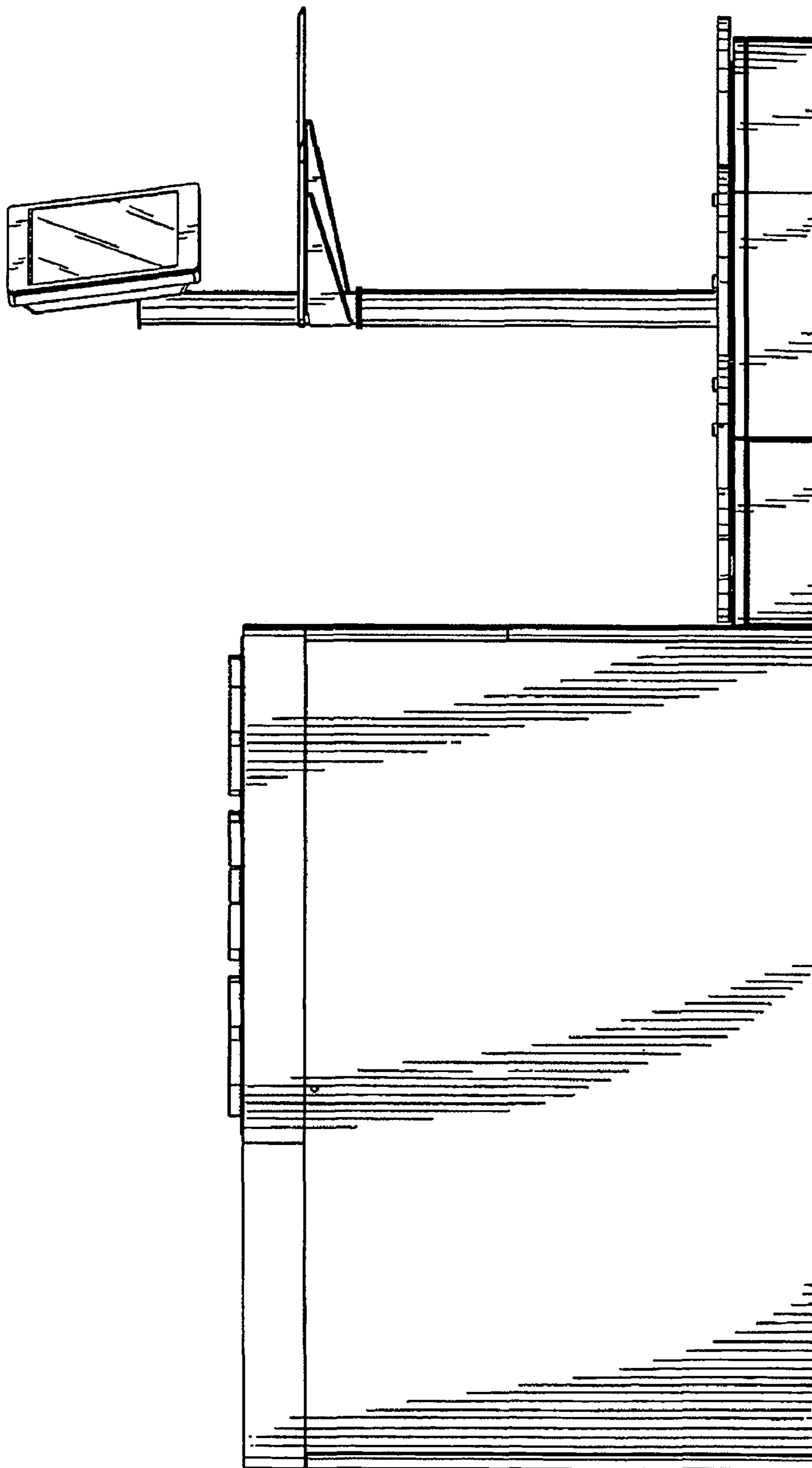


Fig. 7