



US00D620666S

(12) **United States Design Patent**
Colondona

(10) **Patent No.:** **US D620,666 S**

(45) **Date of Patent:** **** Jul. 27, 2010**

(54) **PET WASTE CONTAINER**

(76) Inventor: **Michele Colondona**, 5 Palace Ct.,
Manorville, NY (US) 11949

(**) Term: **14 Years**

(21) Appl. No.: **29/316,414**

(22) Filed: **Sep. 24, 2009**

(51) **LOC (9) Cl.** **09-09**

(52) **U.S. Cl.** **D34/7**

(58) **Field of Classification Search** D34/1,
D34/5, 6, 7, 8, 9, 10, 11; 220/908, 908.1,
220/909, 910, 911

See application file for complete search history.

(56) **References Cited**

U.S. PATENT DOCUMENTS

- 3,050,209 A * 8/1962 Germaine et al. 220/484
- 4,976,371 A * 12/1990 Wise et al. 220/315
- D330,786 S * 11/1992 Edgar D30/161
- D333,893 S * 3/1993 Washburn D34/1.1

- D333,897 S * 3/1993 Ward D34/7
- D334,639 S * 4/1993 Kroll D34/7
- 6,152,079 A * 11/2000 Chandler 119/161

* cited by examiner

Primary Examiner—Cynthia E Ramirez

(74) *Attorney, Agent, or Firm*—Richard L. Mikesell

(57) **CLAIM**

The ornamental design for a pet waste container, as shown and described.

DESCRIPTION

FIG. 1 is a top left perspective view of a pet waste container showing the base and the container separated;

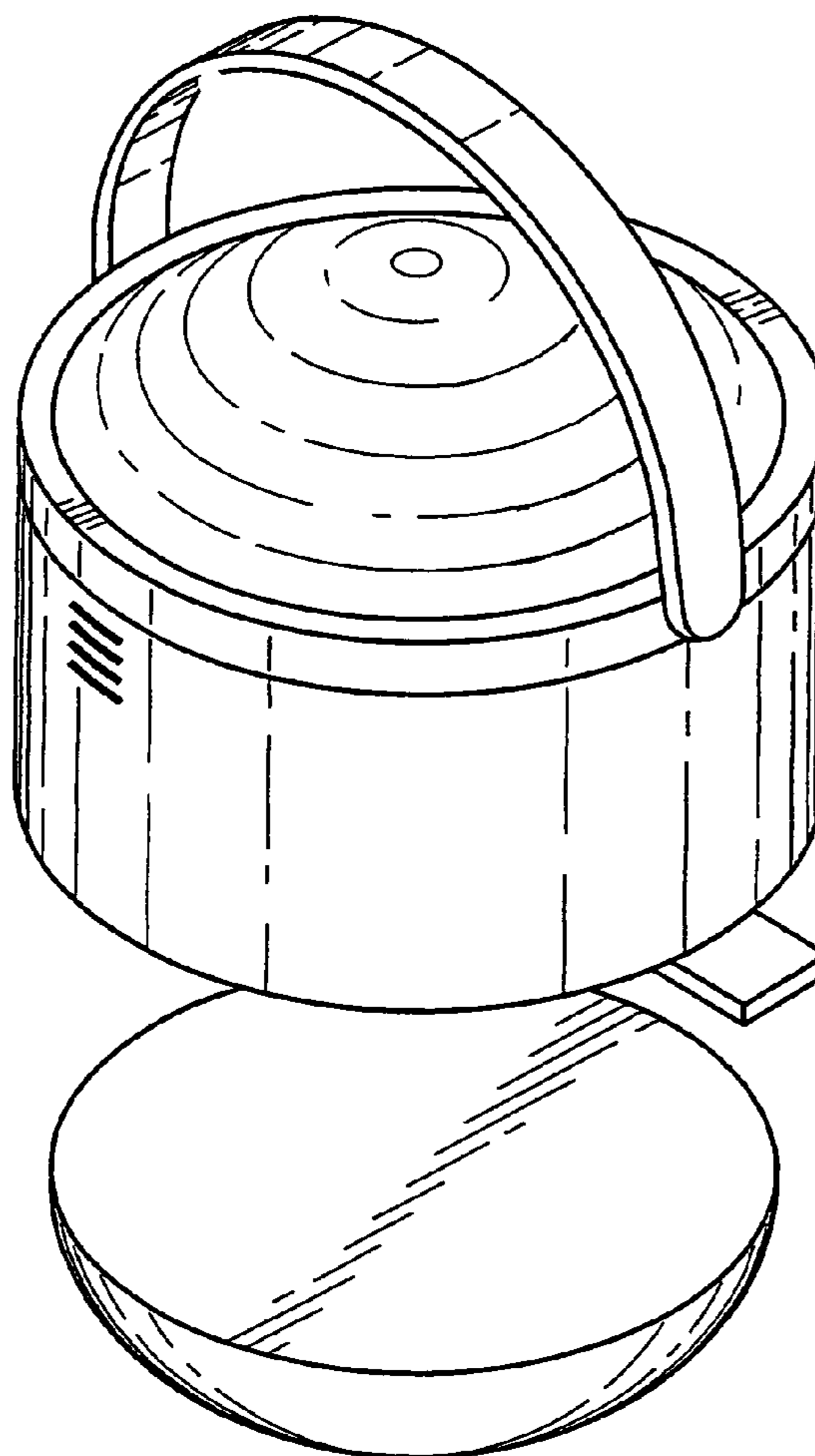
FIG. 2 is a side elevation thereof;

FIG. 3 is a front elevation thereof;

FIG. 4 is a bottom plan view of the container, with the base removed for convenience of illustration; and,

FIG. 5 is a top plan view thereof.

1 Claim, 3 Drawing Sheets



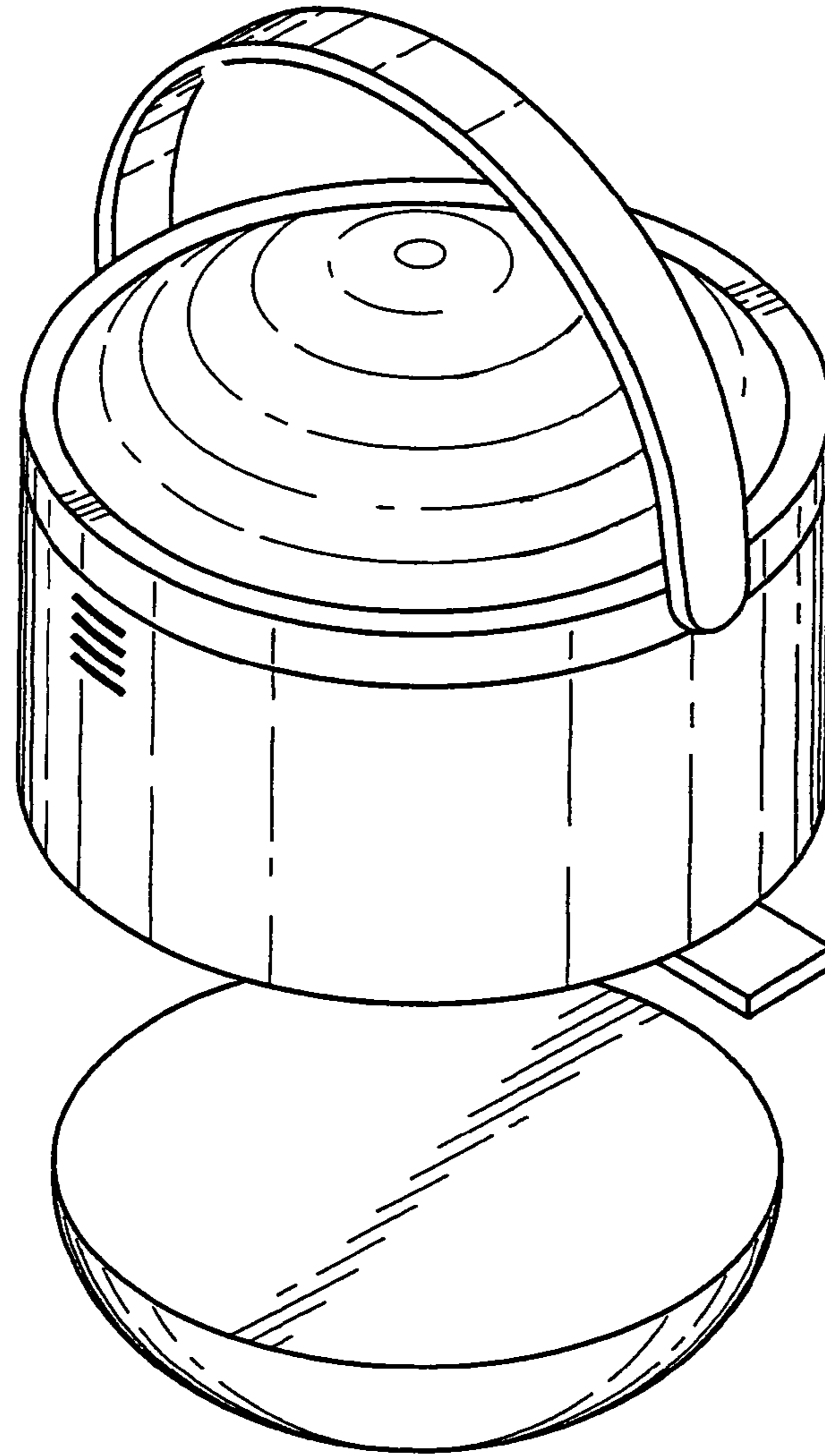


Fig. 1

Fig. 2

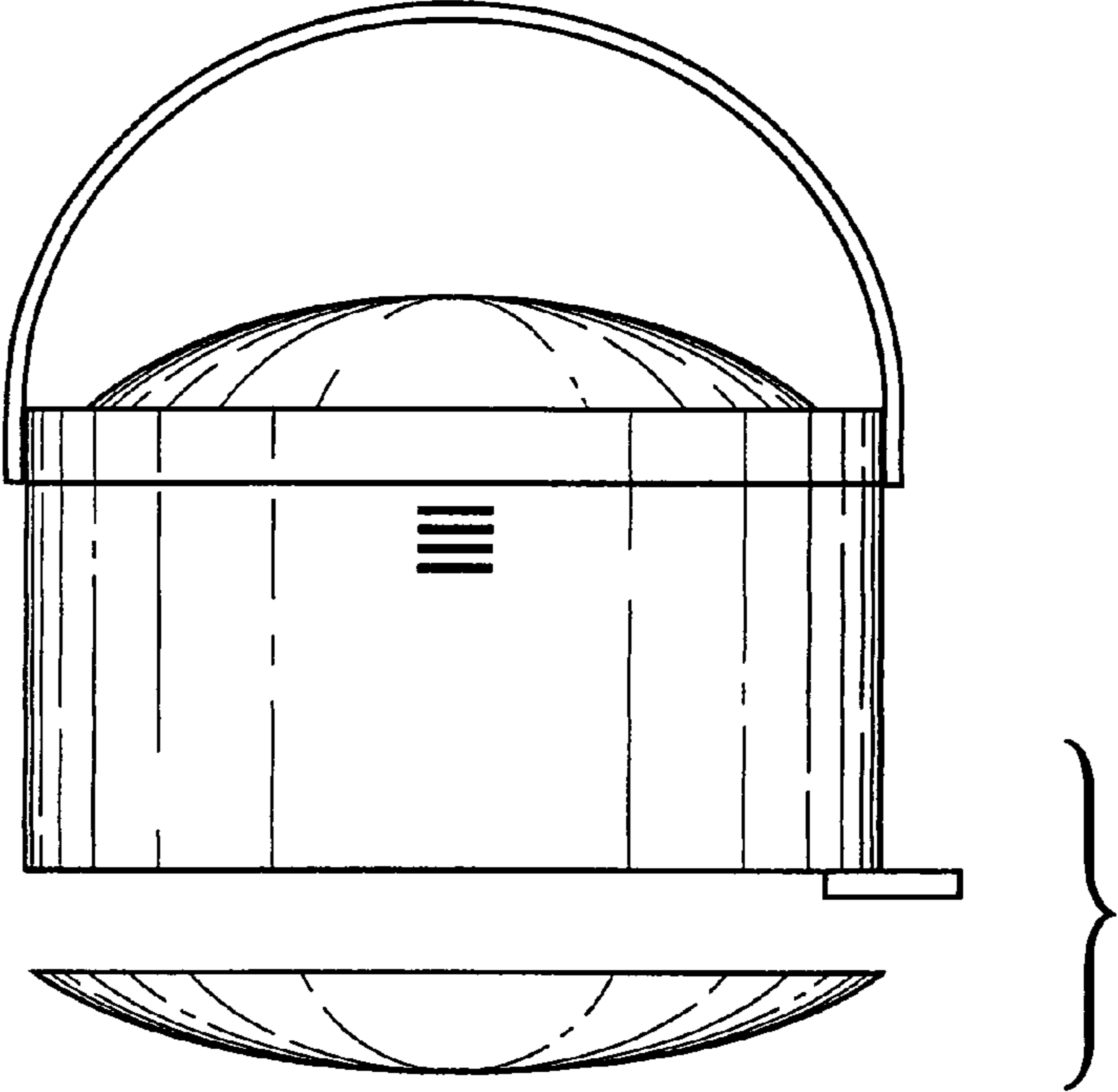


Fig. 3

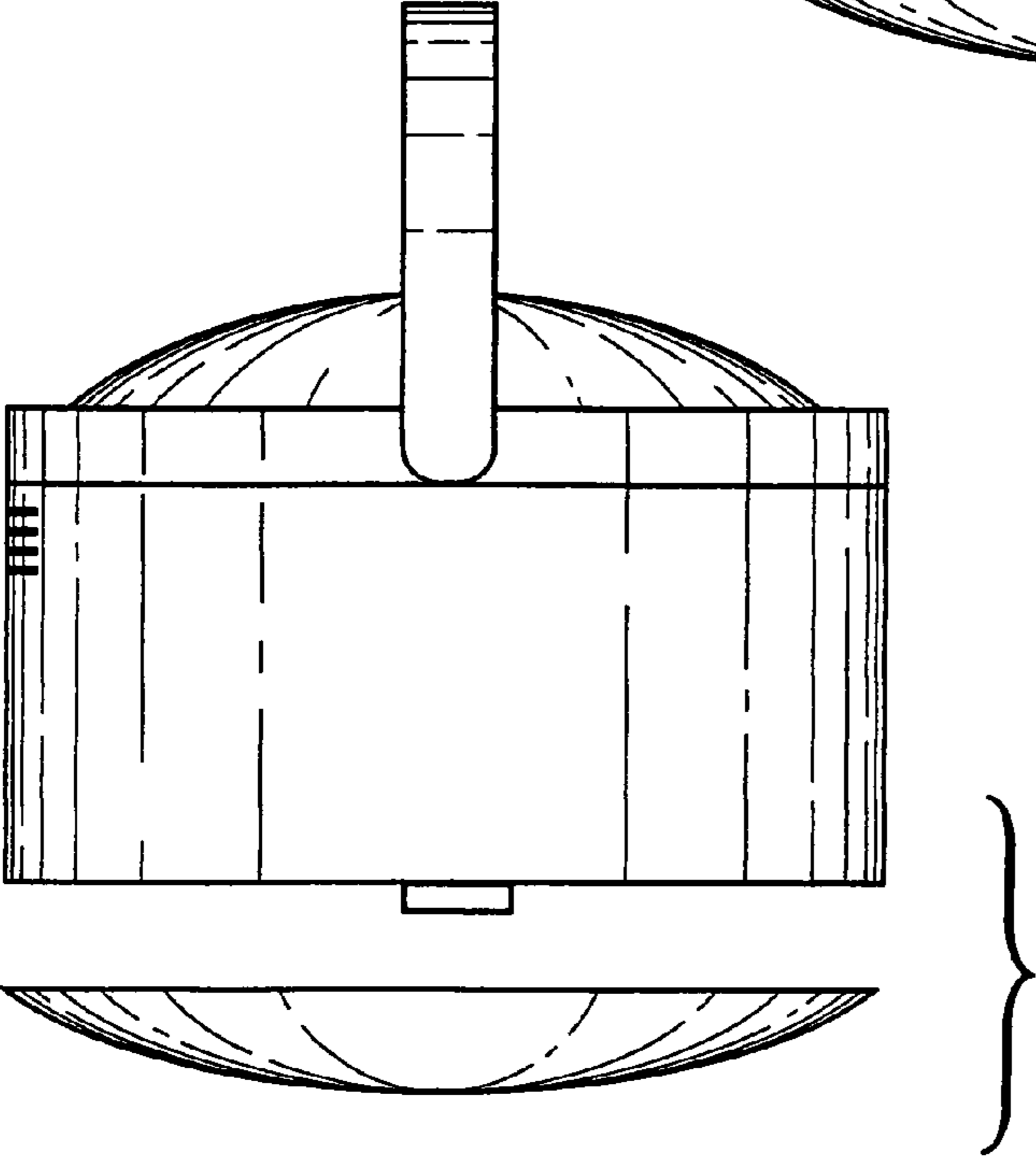


Fig. 4

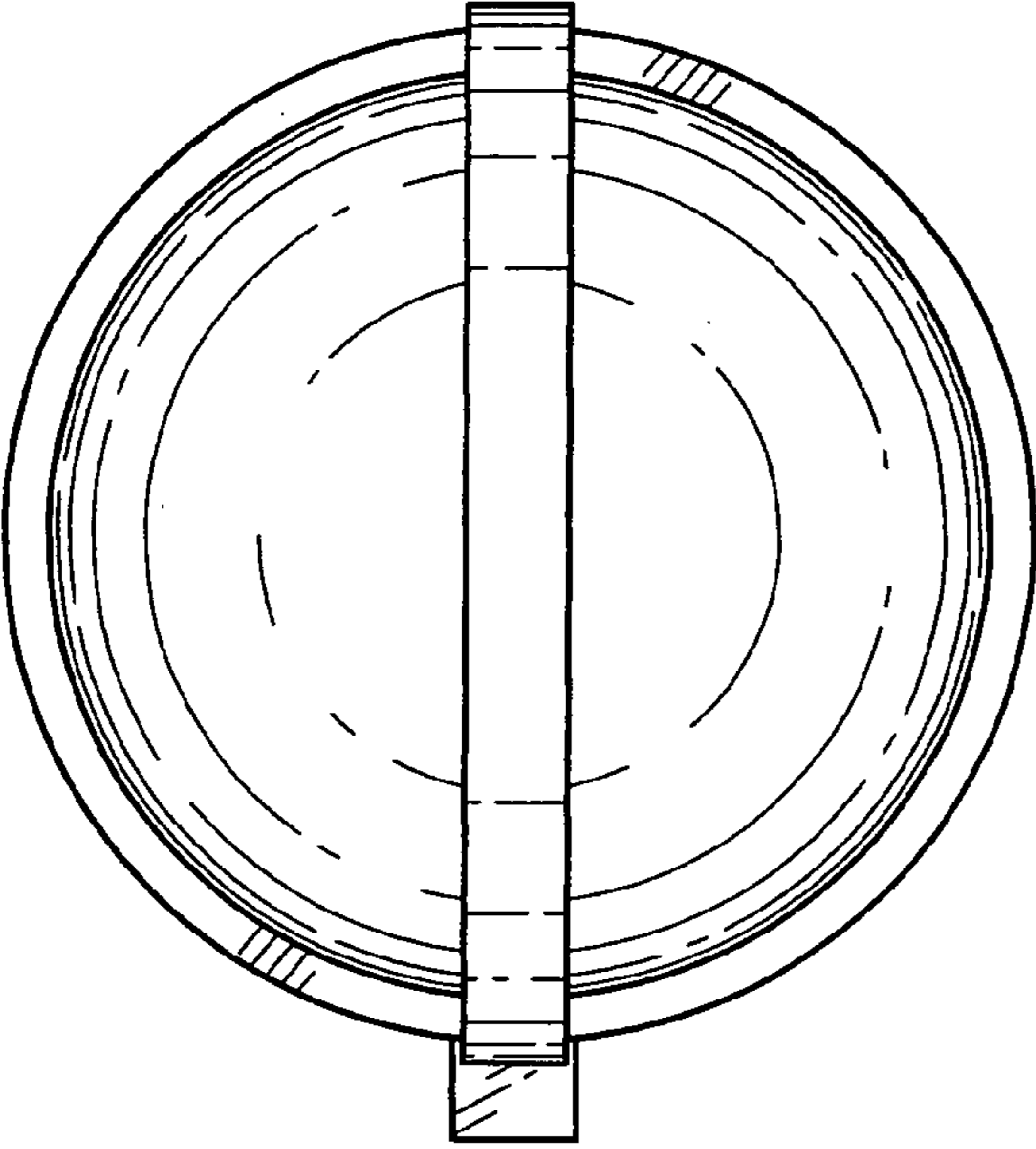
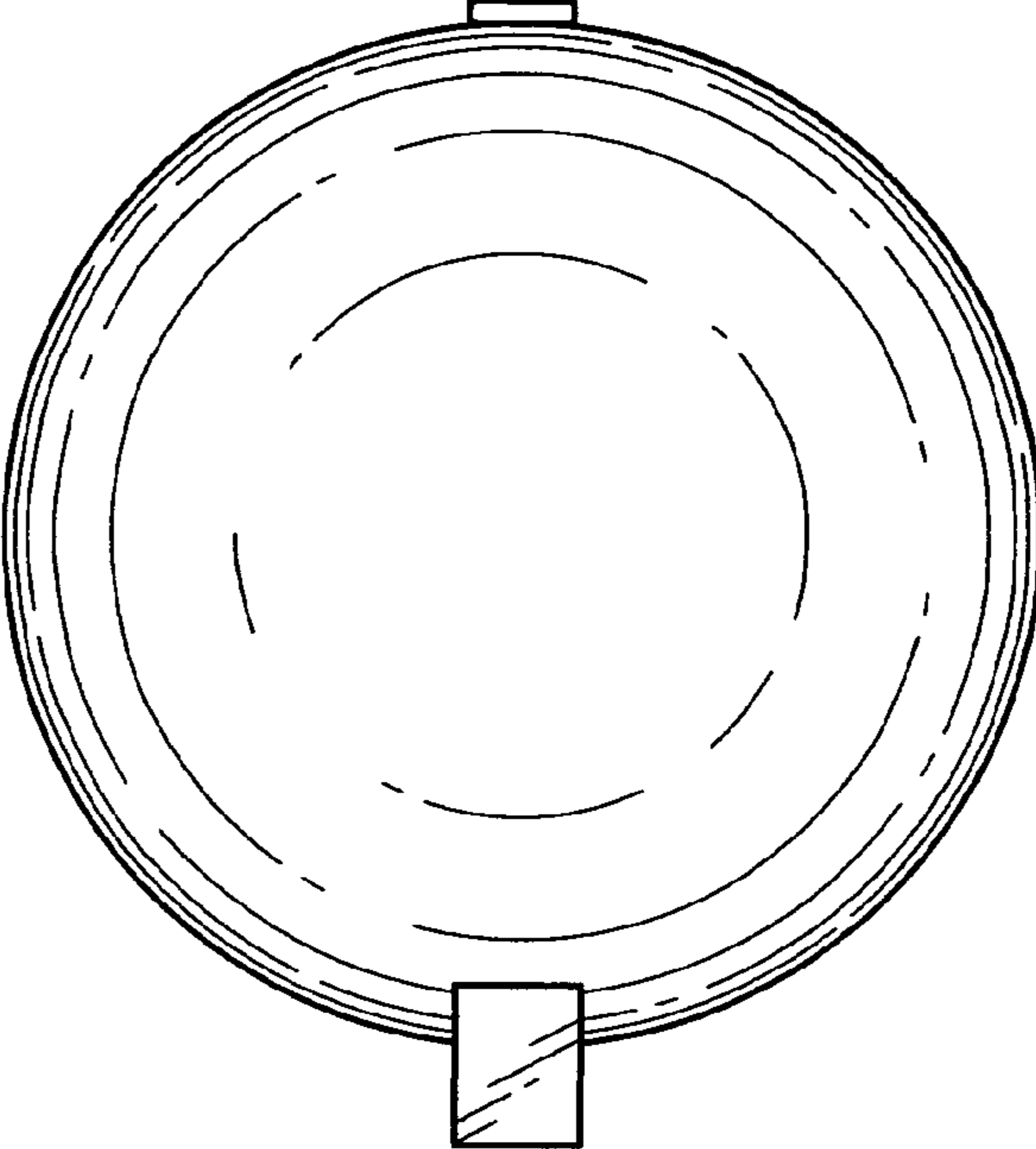


Fig. 5