



US00D620665S

(12) **United States Design Patent**
Chu

(10) **Patent No.:** **US D620,665 S**

(45) **Date of Patent:** **** Jul. 27, 2010**

(54) **TRASH RECEPTACLE**

(75) Inventor: **Frank Chu**, San Francisco, CA (US)

(73) Assignee: **Alternate Choice, LLC**, San Francisco, CA (US)

(**) Term: **14 Years**

(21) Appl. No.: **29/360,160**

(22) Filed: **Apr. 21, 2010**

Related U.S. Application Data

(62) Division of application No. 29/325,566, filed on Oct. 2, 2008, now Pat. No. Des. 616,623.

(51) **LOC (9) Cl.** **09-09**

(52) **U.S. Cl.** **D34/5**

(58) **Field of Classification Search** D34/1,
D34/5, 6, 7, 8, 9, 10, 11; 220/908-913
See application file for complete search history.

(56) **References Cited**

U.S. PATENT DOCUMENTS

D283,592 S *	4/1986	Quarrell et al.	D6/512
D289,722 S *	5/1987	Neiser	D7/624.1
D305,193 S *	12/1989	Sajadieh	D7/509
D327,965 S *	7/1992	Chelec	D34/7
D330,446 S *	10/1992	Verzicco et al.	D34/7
D502,583 S *	3/2005	Hardy et al.	D34/10
D507,687 S *	7/2005	Moon et al.	D34/7
D510,468 S *	10/2005	Hardy et al.	D34/10
D540,620 S *	4/2007	Bushkovsky	D7/509
D542,993 S *	5/2007	Skalka	D34/1
D547,020 S *	7/2007	Chen	D34/7
D548,890 S *	8/2007	Chen	D27/135
D551,821 S *	9/2007	Wang et al.	D34/7

D559,494 S *	1/2008	Yang et al.	D34/7
D562,521 S *	2/2008	Renard	D34/7
D566,328 S *	4/2008	Catron	D27/124
D573,769 S *	7/2008	Skalka	D34/7
D616,623 S *	5/2010	Chu	D34/5

* cited by examiner

Primary Examiner—Cynthia E Ramirez

(74) *Attorney, Agent, or Firm*—Levine Bagade Han LLP

(57) **CLAIM**

The ornamental design for a trash receptacle, as shown and described.

DESCRIPTION

FIG. 1 is a top front perspective view of a trash receptacle shown with a door in a closed position;

FIG. 2 is a front view of the trash receptacle shown in FIG. 1;

FIG. 3 is a left side view of the trash receptacle shown in FIG. 1;

FIG. 4 is a right side view of the trash receptacle shown in FIG. 1;

FIG. 5 is a back side view of the trash receptacle shown in FIG. 1;

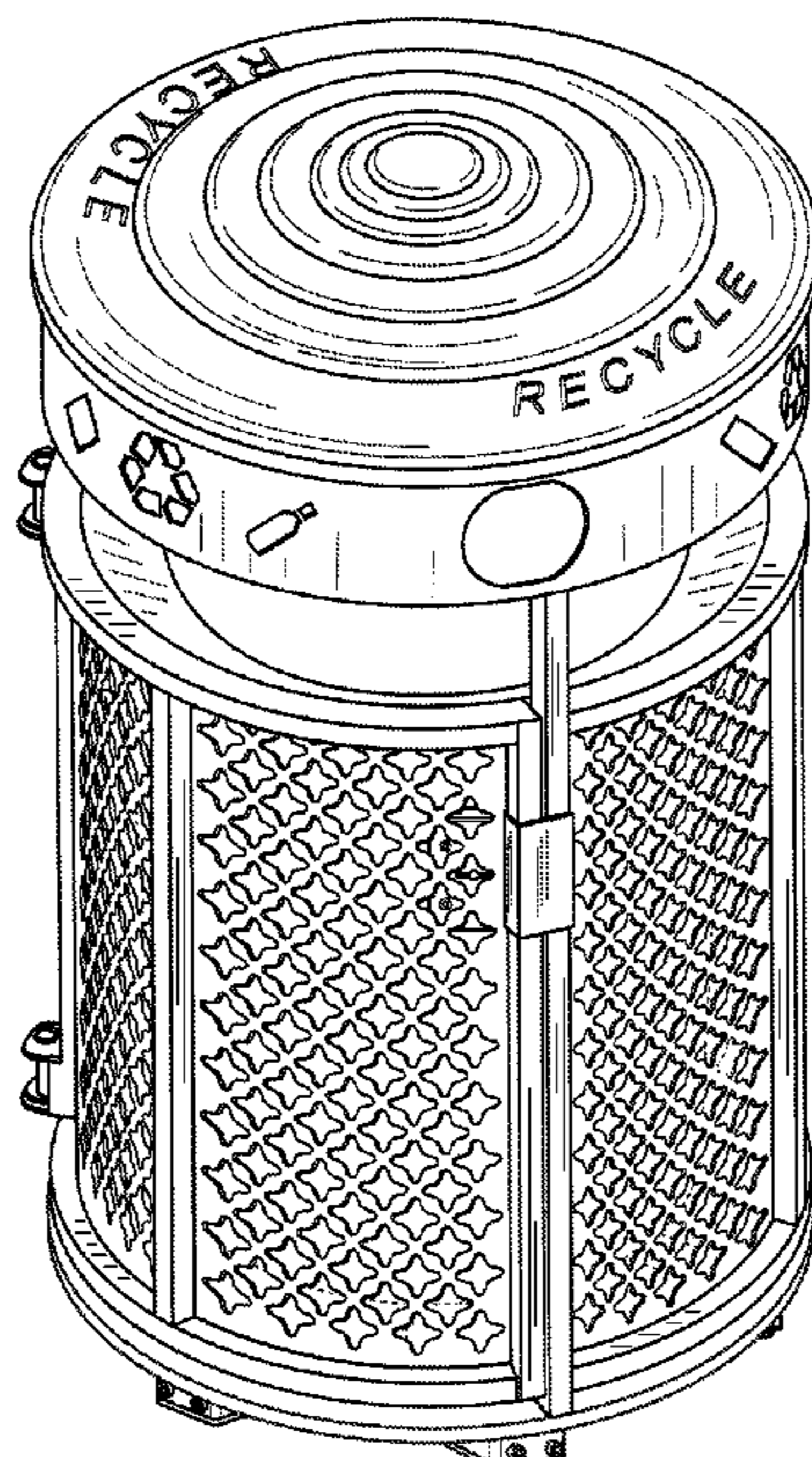
FIG. 6 is a top perspective view of the trash receptacle of FIG. 1, shown with the door in an open position;

FIG. 7 is a top view of the trash receptacle shown in FIG. 1; and,

FIG. 8 is a bottom view of the trash receptacle shown in FIG. 1.

The elements shown in broken lines are to show environment and form no part of the claimed design.

1 Claim, 7 Drawing Sheets



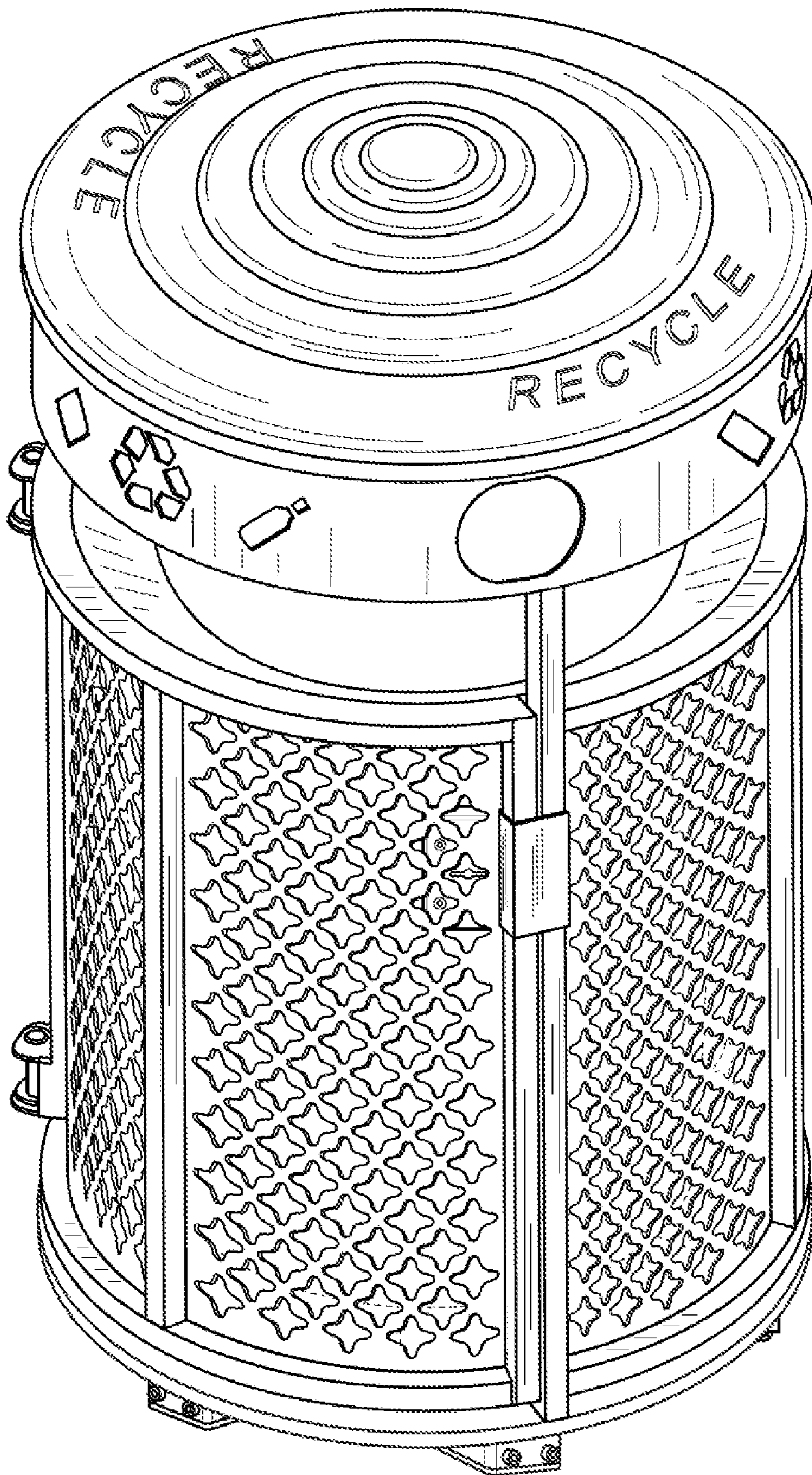


FIG. 1

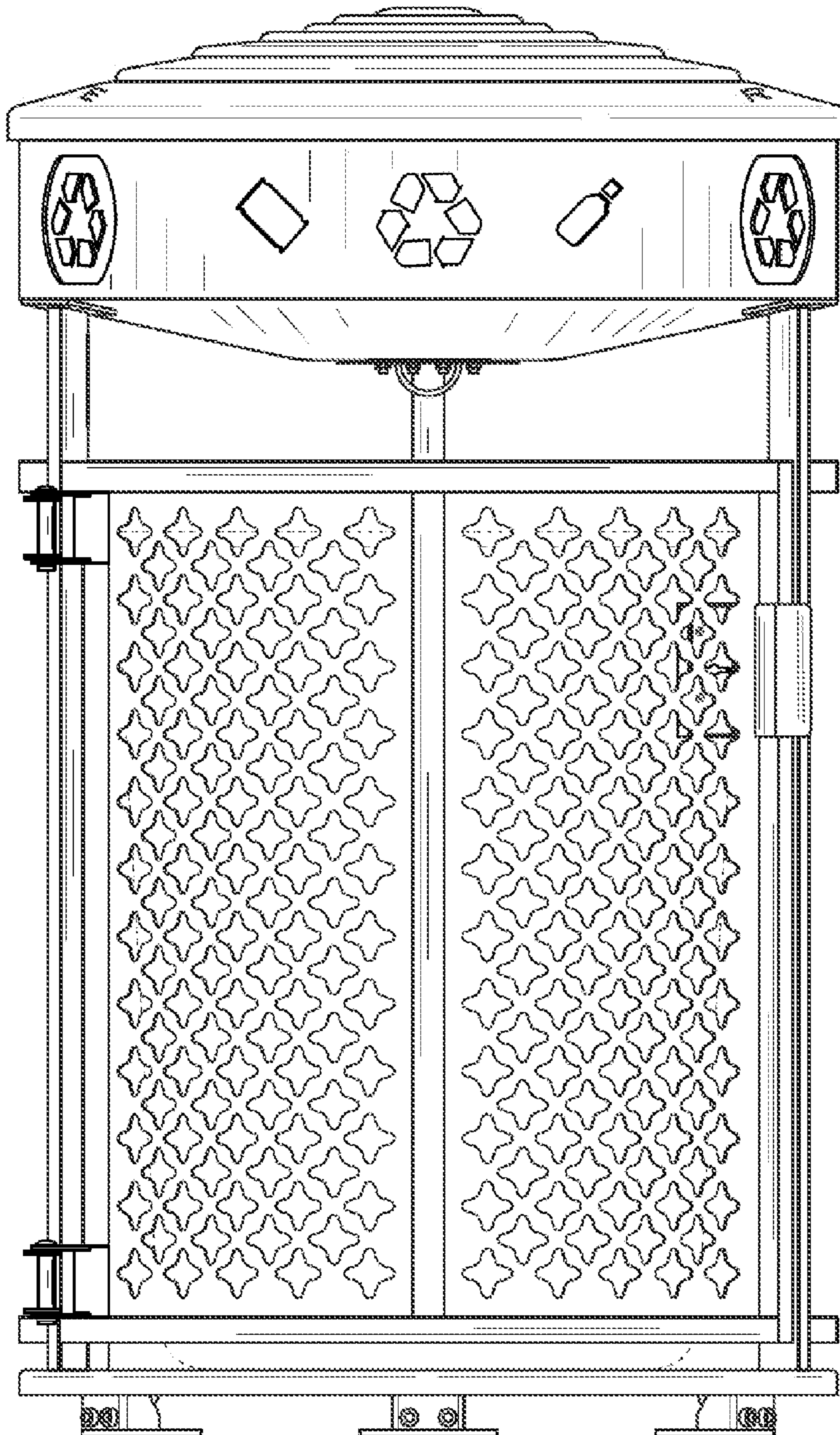


FIG. 2

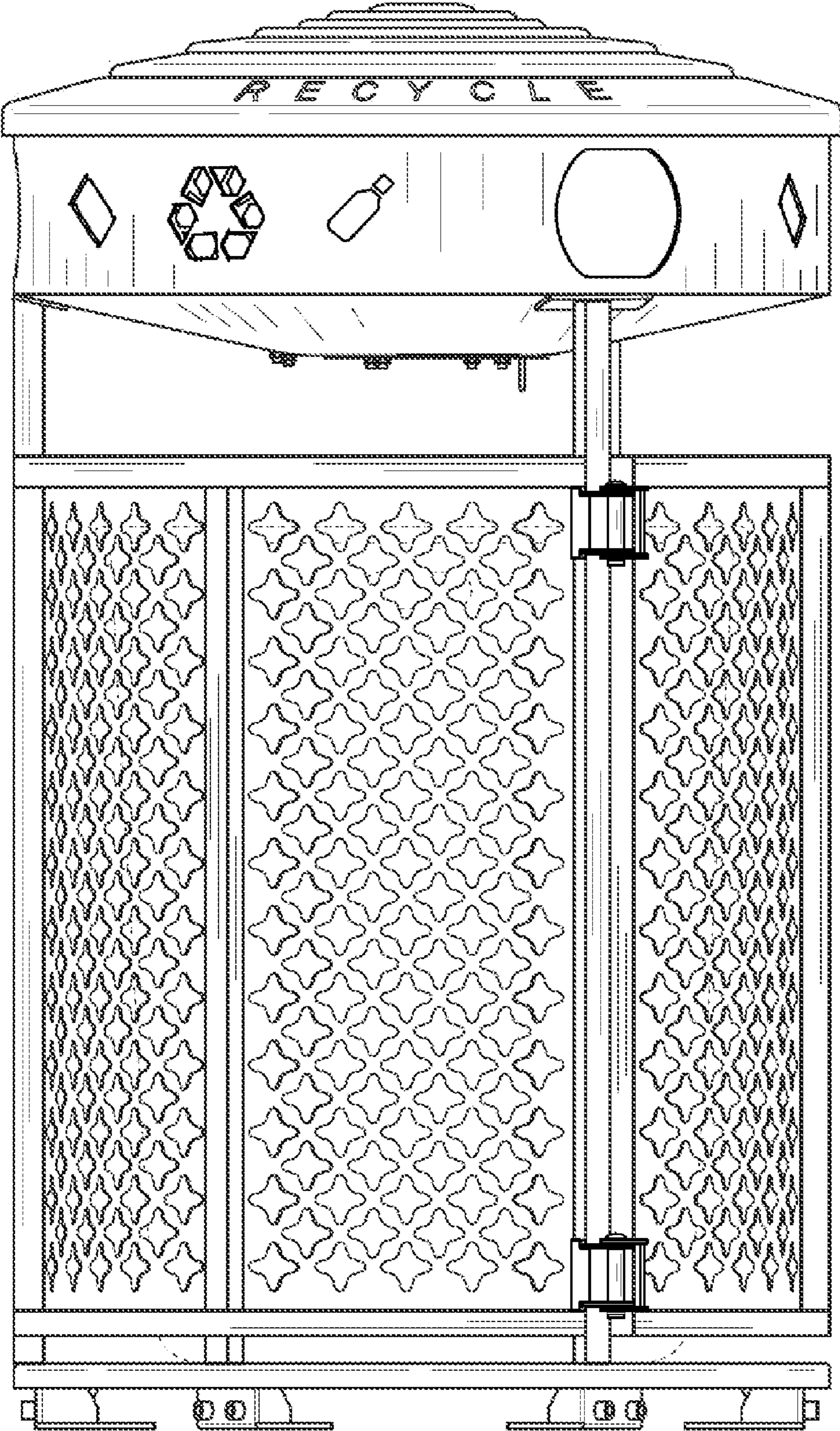


FIG. 3

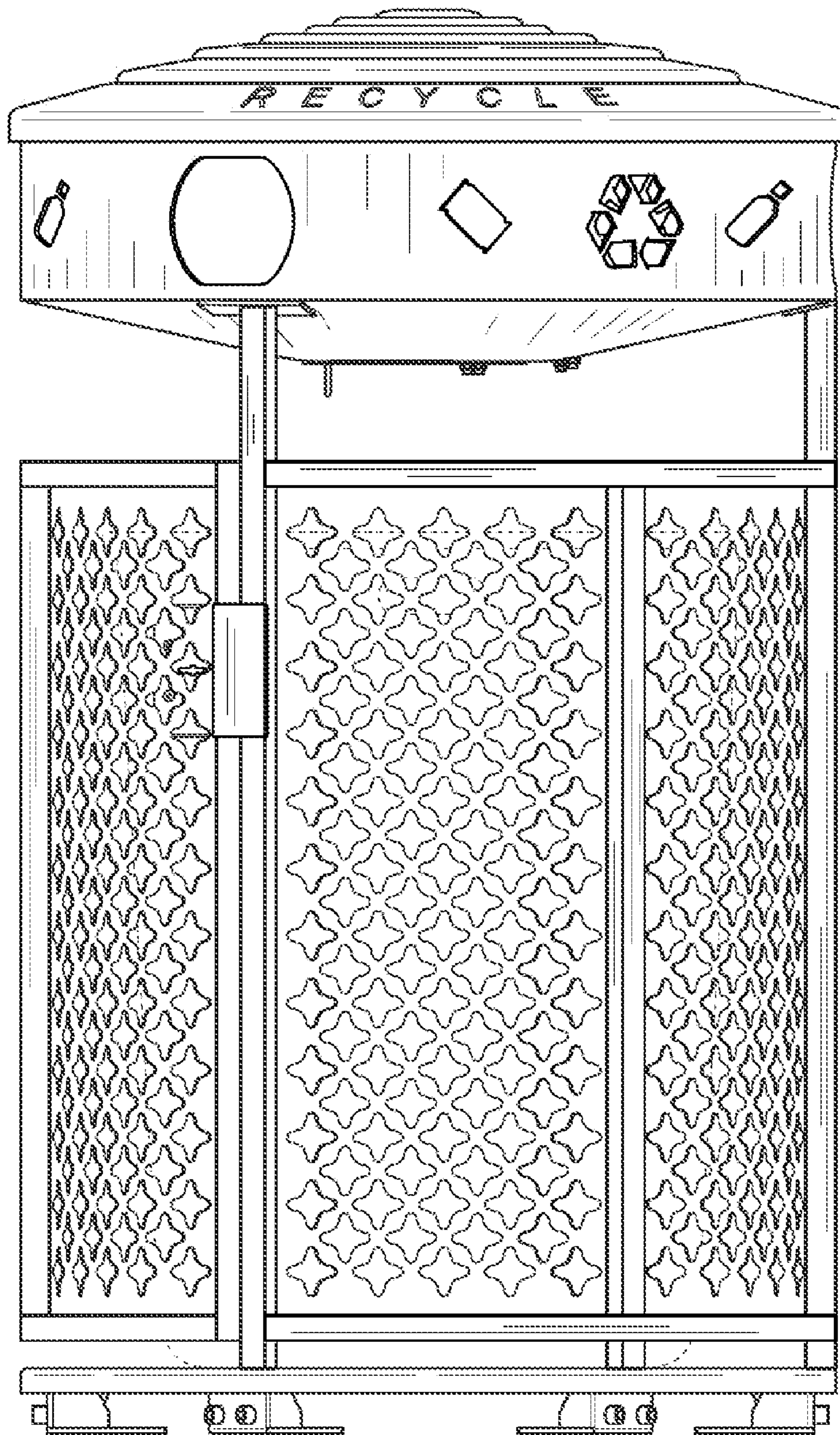


FIG. 4

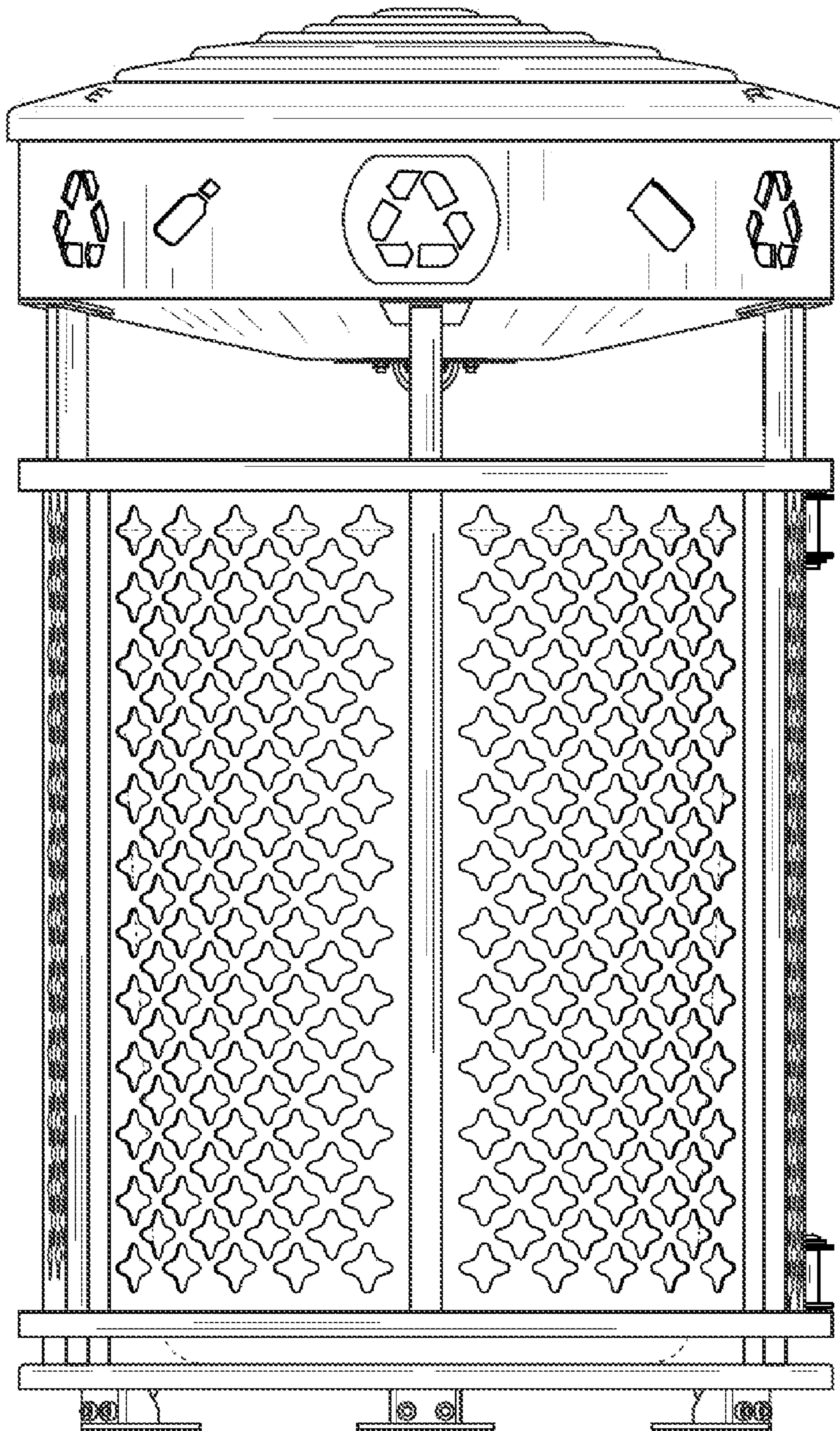


FIG. 5

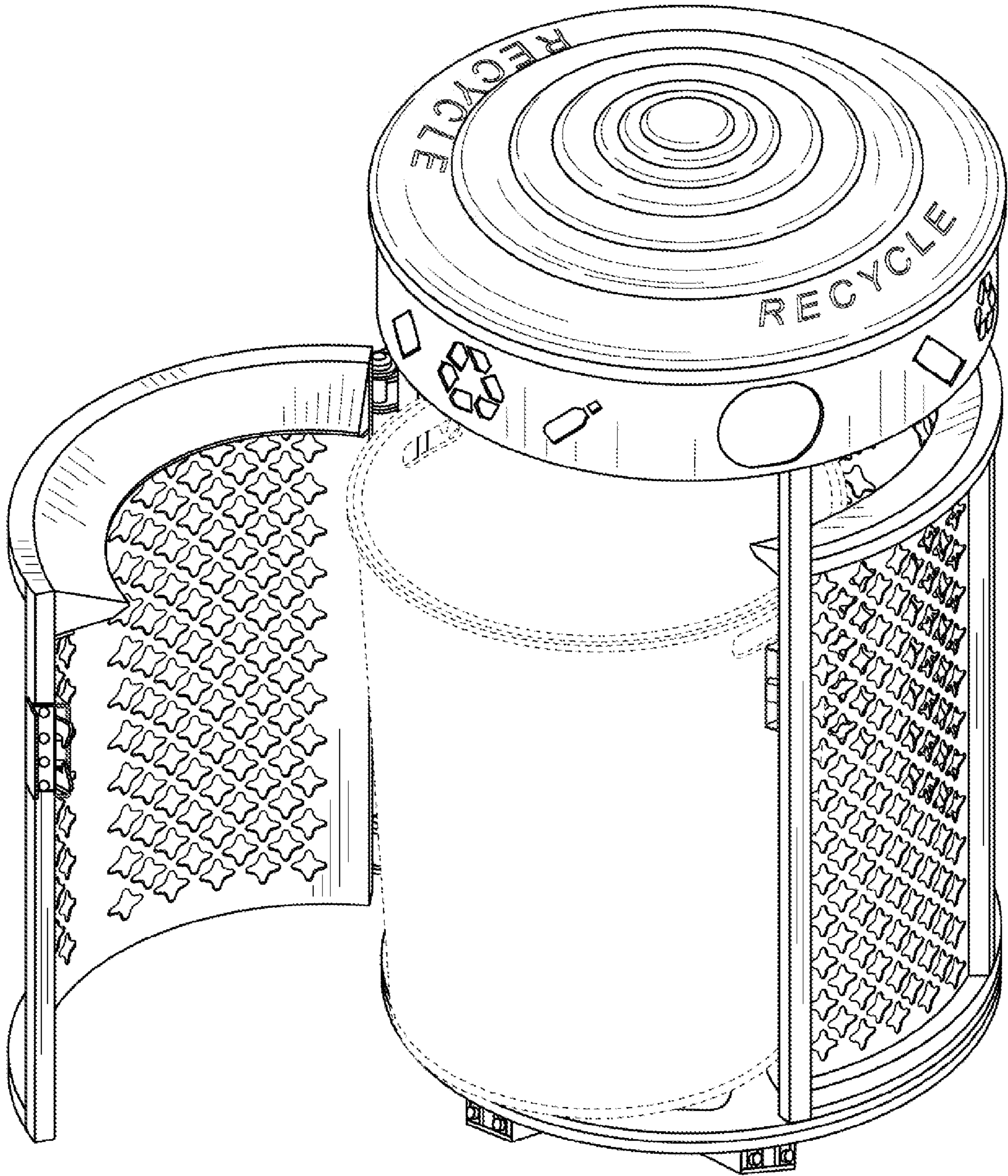


FIG. 6

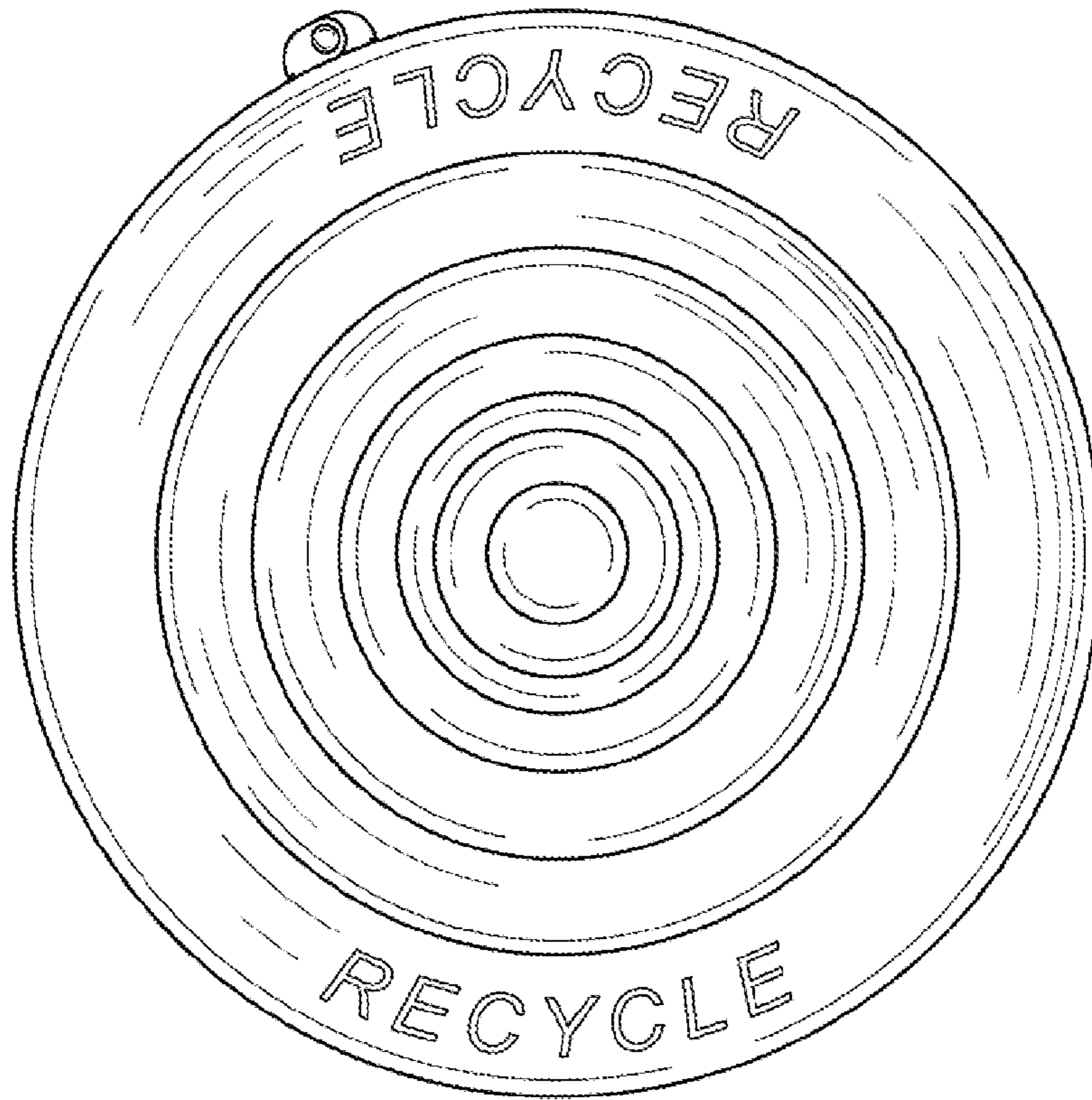


FIG. 7

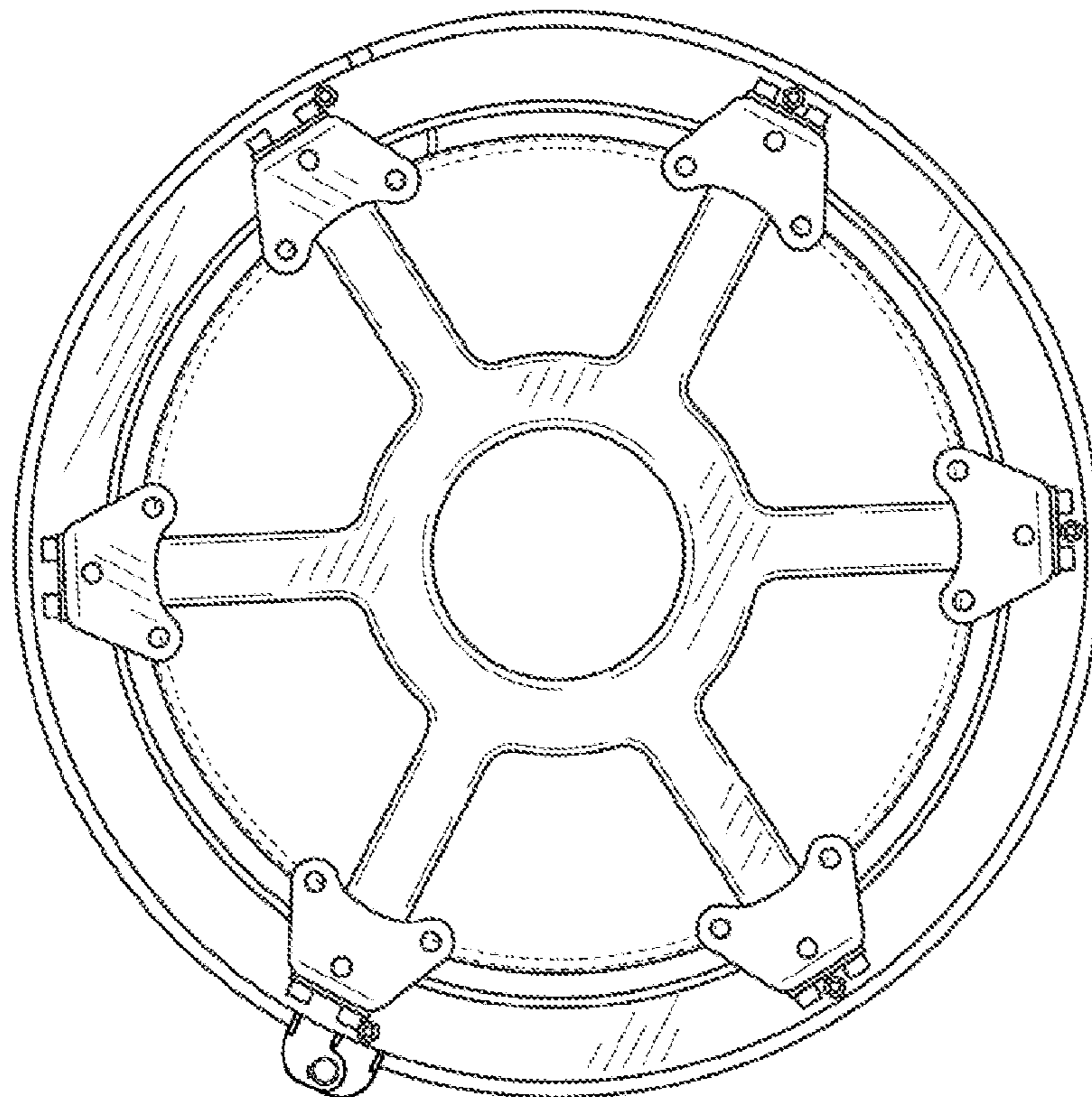


FIG. 8