



US00D620664S

(12) **United States Design Patent**  
**Graby**

(10) **Patent No.:** **US D620,664 S**

(45) **Date of Patent:** **\*\* Jul. 27, 2010**

(54) **TRASH BAG HOLDER**

2005/0199641 A1\* 9/2005 Yang et al. .... 221/1

(76) Inventor: **Mike Graby**, 80 Frantz Rd., Bethel, PA  
(US) 19507

\* cited by examiner

*Primary Examiner*—Cynthia E Ramirez

(74) *Attorney, Agent, or Firm*—Richard L. Mikesell

(\*\*) Term: **14 Years**

(21) Appl. No.: **29/316,325**

(57) **CLAIM**

(22) Filed: **Sep. 15, 2009**

The ornamental design for a trash bag holder, as shown and described.

(51) **LOC (9) Cl.** ..... **09-09**

**DESCRIPTION**

(52) **U.S. Cl.** ..... **D34/5**

(58) **Field of Classification Search** ..... D34/1,  
D34/5, 6; 248/95, 97, 99, 100, 101; 206/554  
See application file for complete search history.

FIG. 1 is a top left perspective view of a trash bag holder showing my new design;

FIG. 2 is a front elevation thereof;

FIG. 3 is a rear elevation thereof;

FIG. 4 is a bottom plan view thereof;

FIG. 5 is a top plan view thereof;

FIG. 6 is a right end elevation thereof; and,

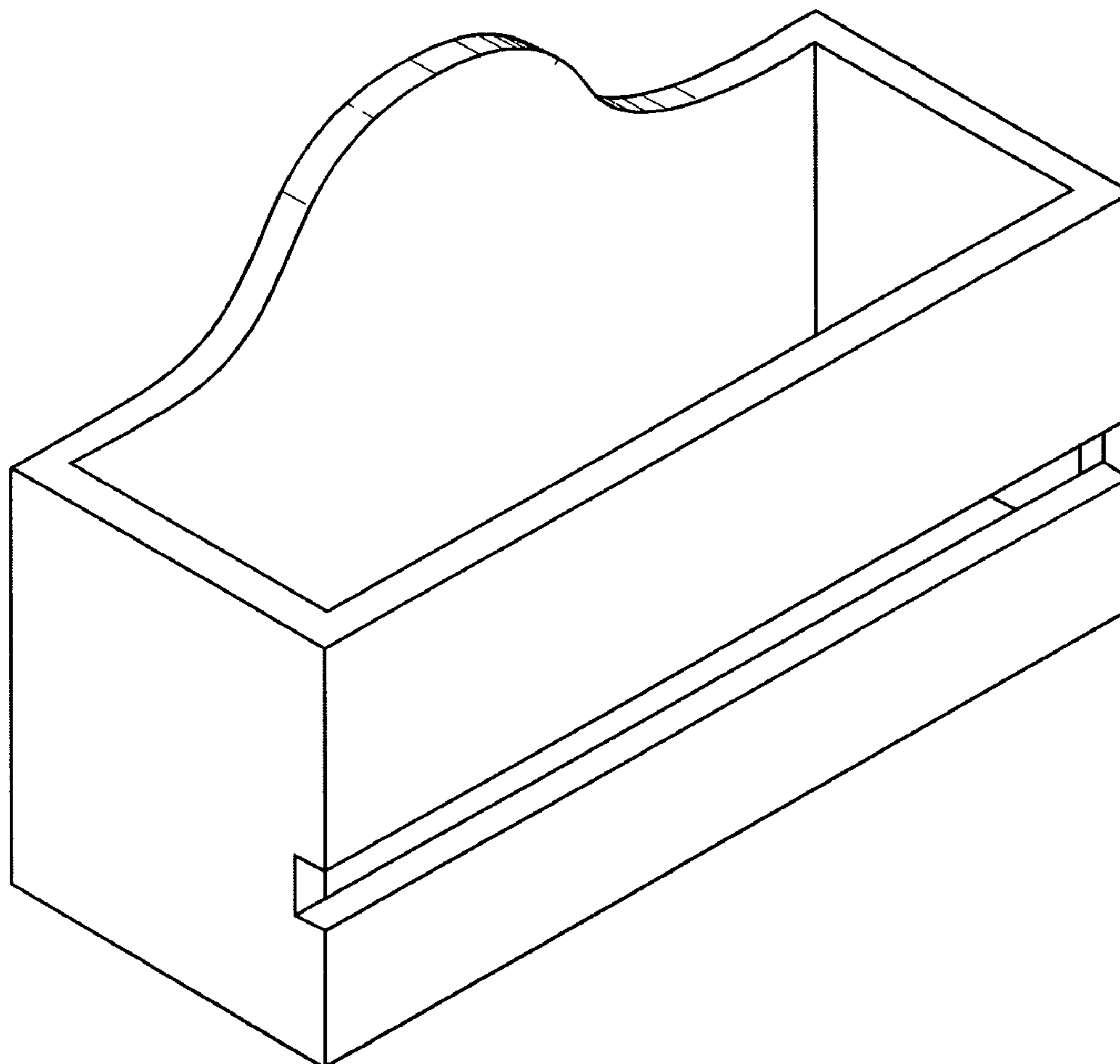
FIG. 7 is a left end elevation thereof.

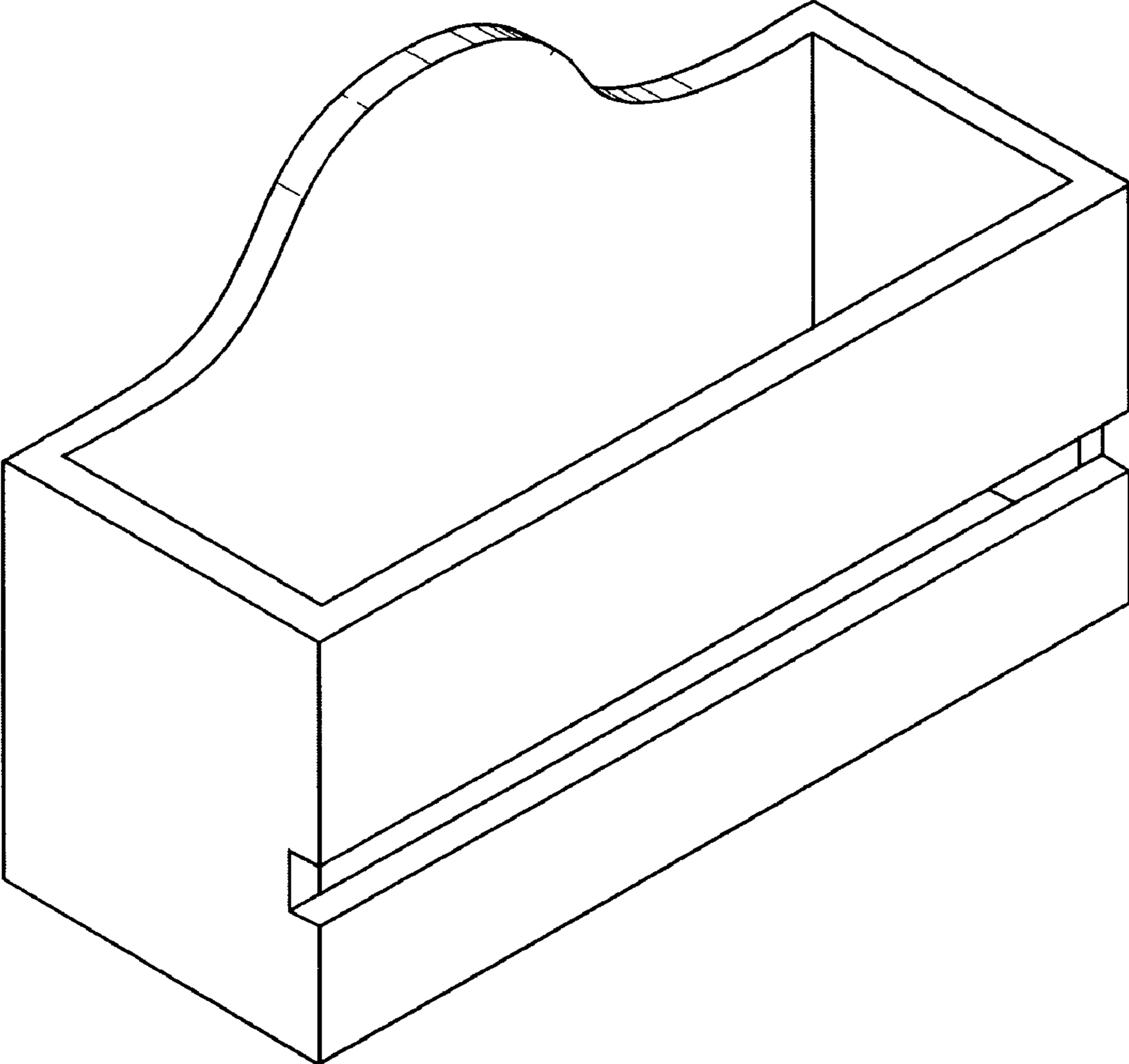
(56) **References Cited**

U.S. PATENT DOCUMENTS

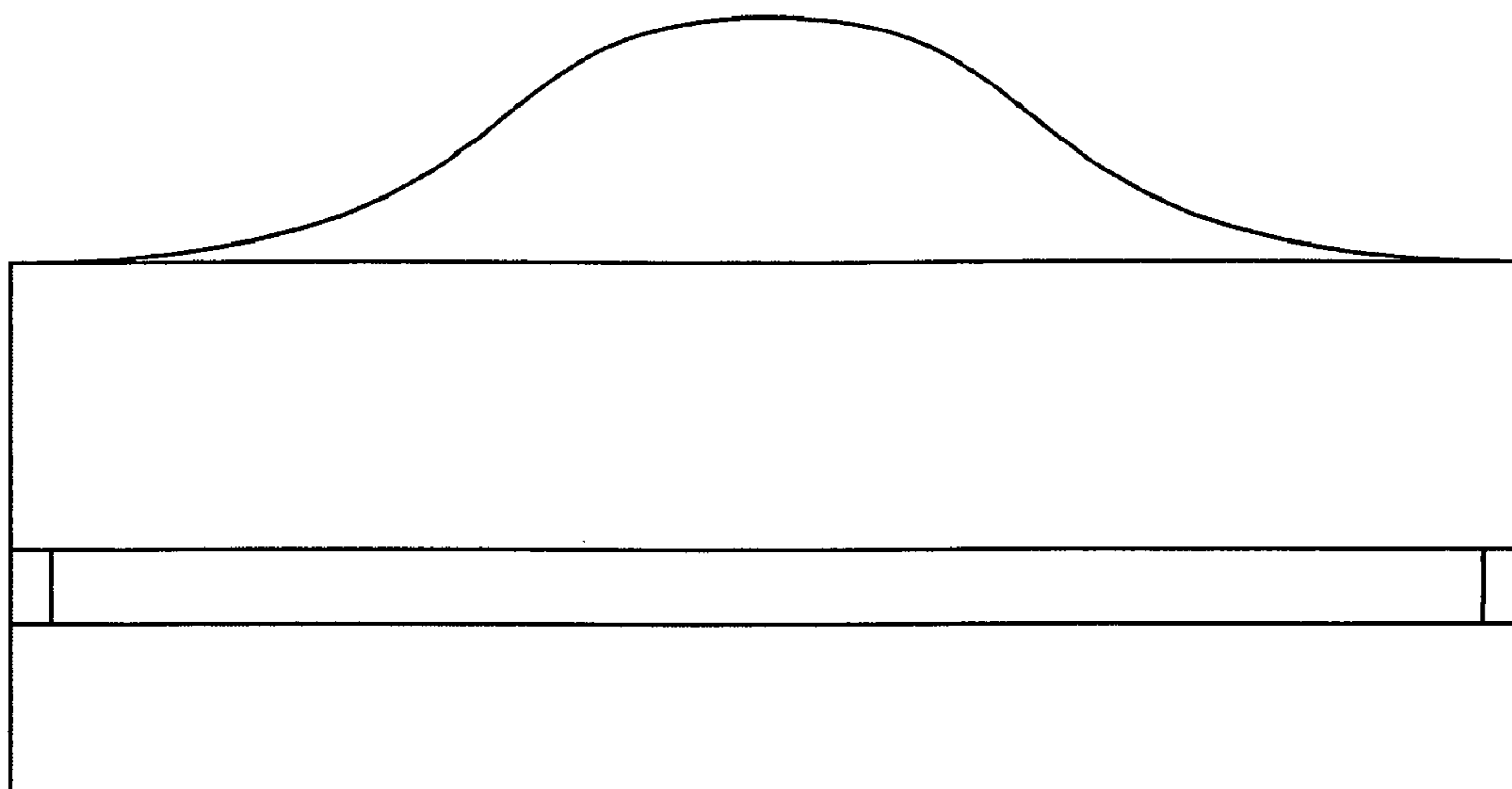
D264,879 S *	6/1982	Baker	.....	D24/131
D300,972 S *	5/1989	Streno	.....	D34/6
4,917,243 A *	4/1990	Abrams et al.	.....	206/365
D520,703 S *	5/2006	Nordgren et al.	.....	D34/1
2005/0173600 A1*	8/2005	Morris	.....	248/95

**1 Claim, 4 Drawing Sheets**

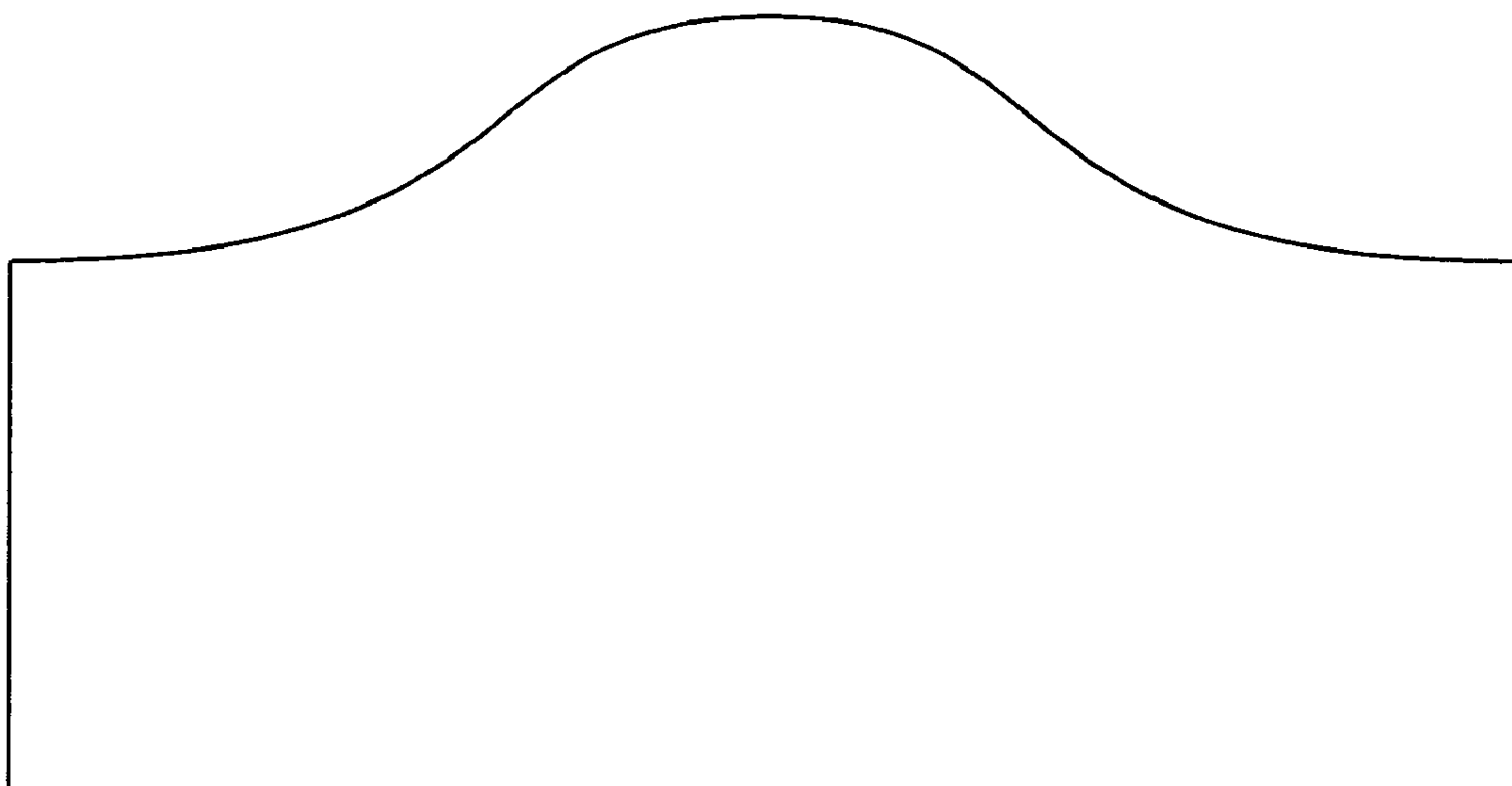




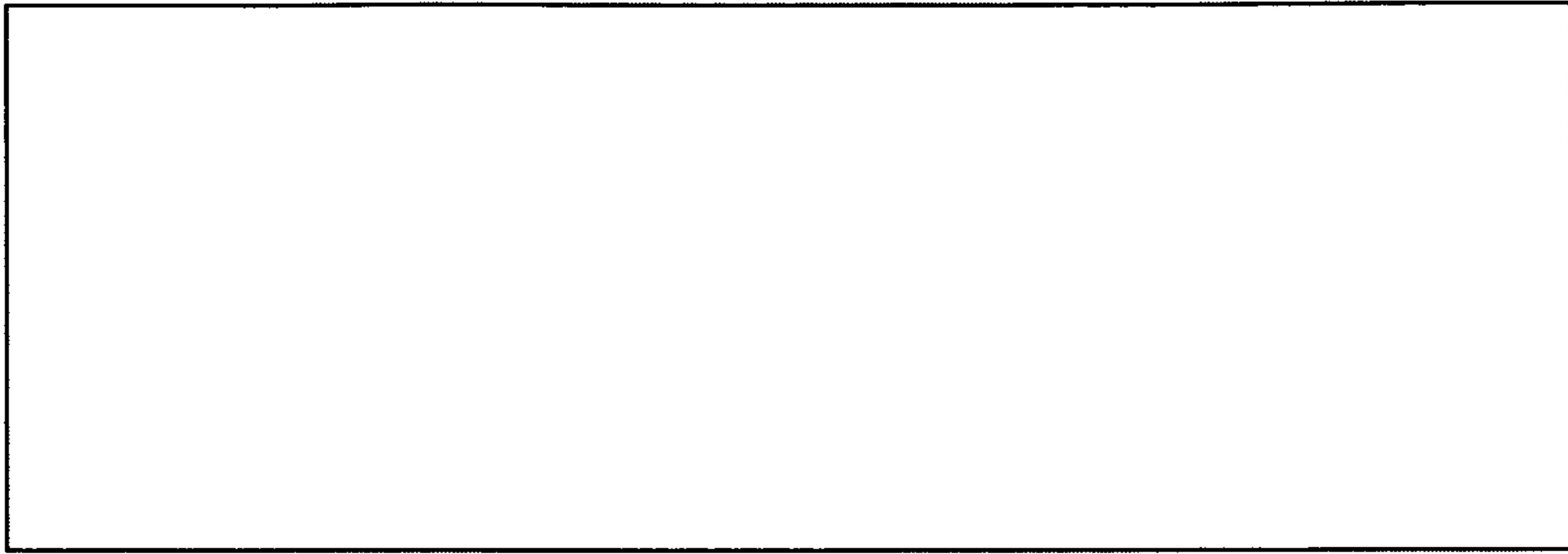
**Fig. 1**



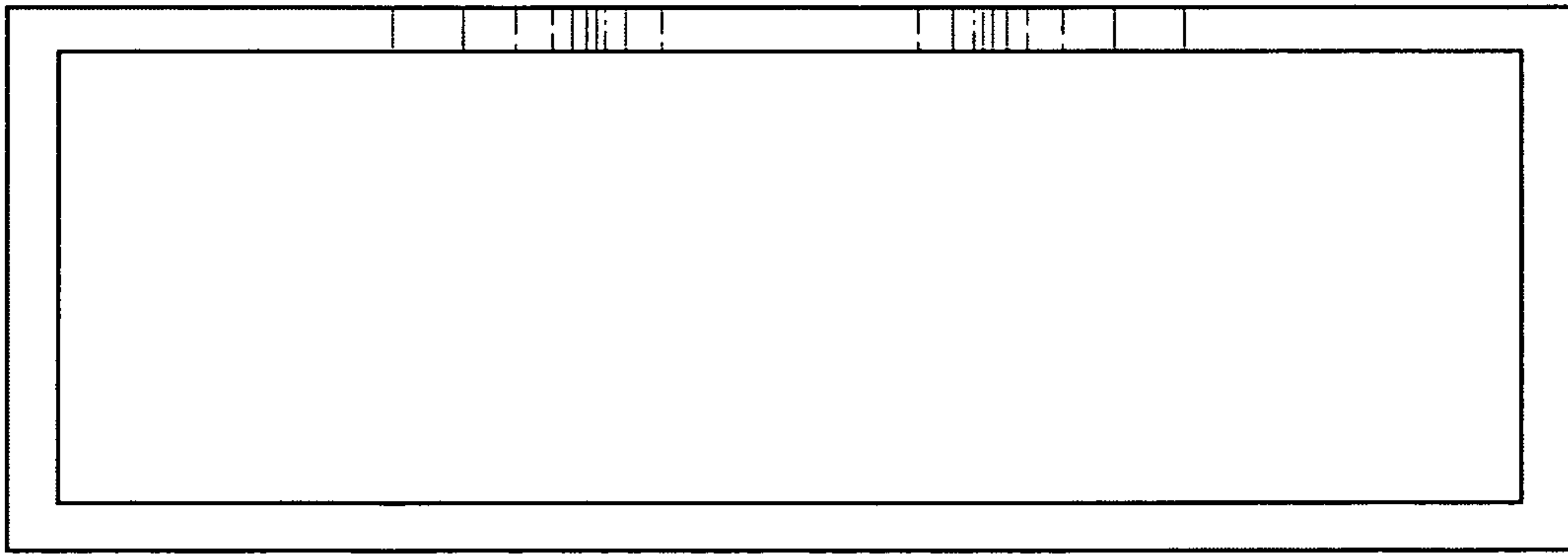
***Fig. 2***



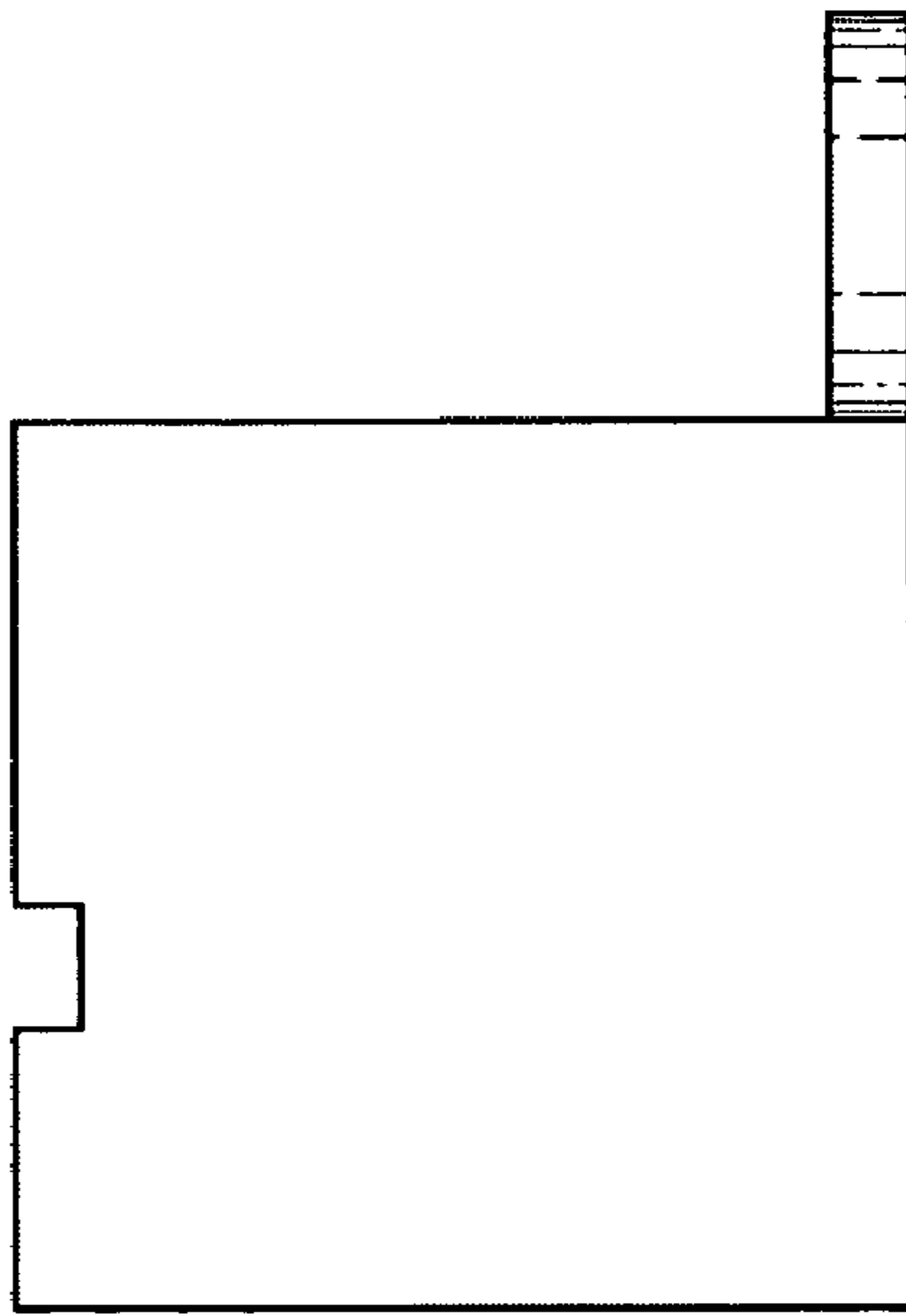
***Fig. 3***



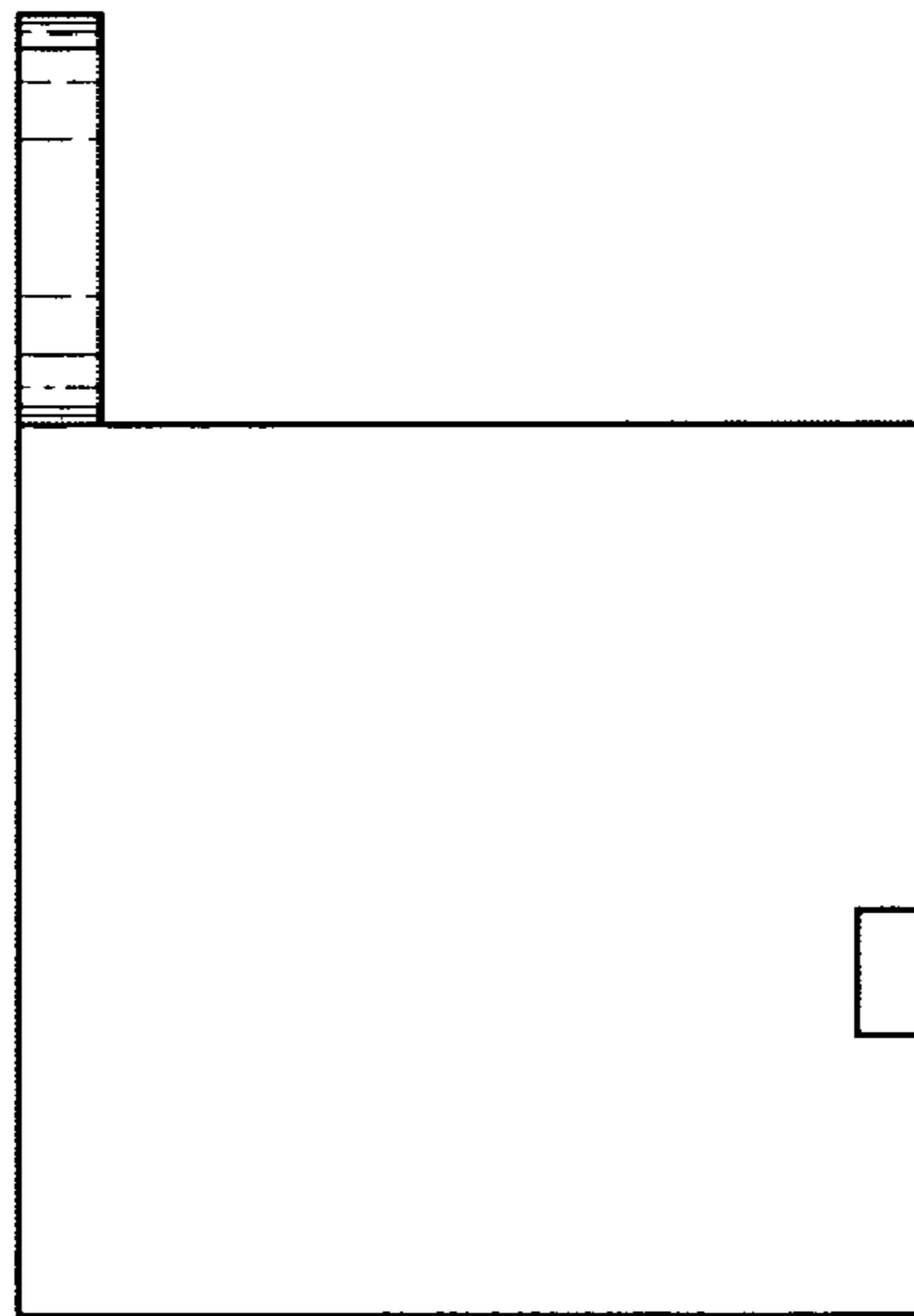
***Fig. 4***



***Fig. 5***



***Fig. 6***



***Fig. 7***