



US00D620663S

(12) **United States Design Patent**
Zabala

(10) **Patent No.:** **US D620,663 S**

(45) **Date of Patent:** **** Jul. 27, 2010**

(54) **IRON**

(75) Inventor: **Javier Zabala**, Vitoria (ES)

(73) Assignee: **Celaya Emparanza y Galdos Internacional S.A.**, Vitoria (Alava) (ES)

(**) Term: **14 Years**

(21) Appl. No.: **29/343,996**

(22) Filed: **Sep. 22, 2009**

(51) **LOC (9) Cl.** **07-05**

(52) **U.S. Cl.** **D32/70**

(58) **Field of Classification Search** D32/73,
D32/72, 71, 70, 69, 68, 35; 392/404; 38/97,
38/96, 93, 88, 77.9, 77.83, 77.82, 77.81,
38/77.8, 77.7, 77.6, 77.5, 77.3, 77.1; 219/251,
219/245

See application file for complete search history.

(56) **References Cited**

U.S. PATENT DOCUMENTS

D370,104 S	*	5/1996	Gudefin	D32/70
D374,956 S	*	10/1996	Hsu	D32/70
D389,622 S	*	1/1998	Dziersk	D32/70
D443,743 S	*	6/2001	Edwards et al.	D32/70
D481,186 S	*	10/2003	Powell	D32/740
D481,503 S	*	10/2003	Choi	D32/70
D487,603 S	*	3/2004	Renault	D32/70
D511,033 S	*	10/2005	Berthier	D32/70
D518,937 S	*	4/2006	Alday Lesaga	D32/70
D530,474 S	*	10/2006	Barquin Santillan	D32/70
D531,372 S	*	10/2006	Poon	D32/70
D531,775 S	*	11/2006	Barquin Santillan	D32/70
D535,074 S	*	1/2007	Bas et al.	D32/70
D546,518 S	*	7/2007	Massip et al.	D32/70

D550,916 S	*	9/2007	Poon et al.	D32/70
D551,413 S	*	9/2007	Poon et al.	D32/70
D555,315 S	*	11/2007	Poon	D32/70
D558,946 S	*	1/2008	Massip et al.	D32/70
D559,492 S	*	1/2008	Renault et al.	D32/70

(Continued)

Primary Examiner—Austin Murphy

(74) *Attorney, Agent, or Firm*—K&L Gates LLP

(57) **CLAIM**

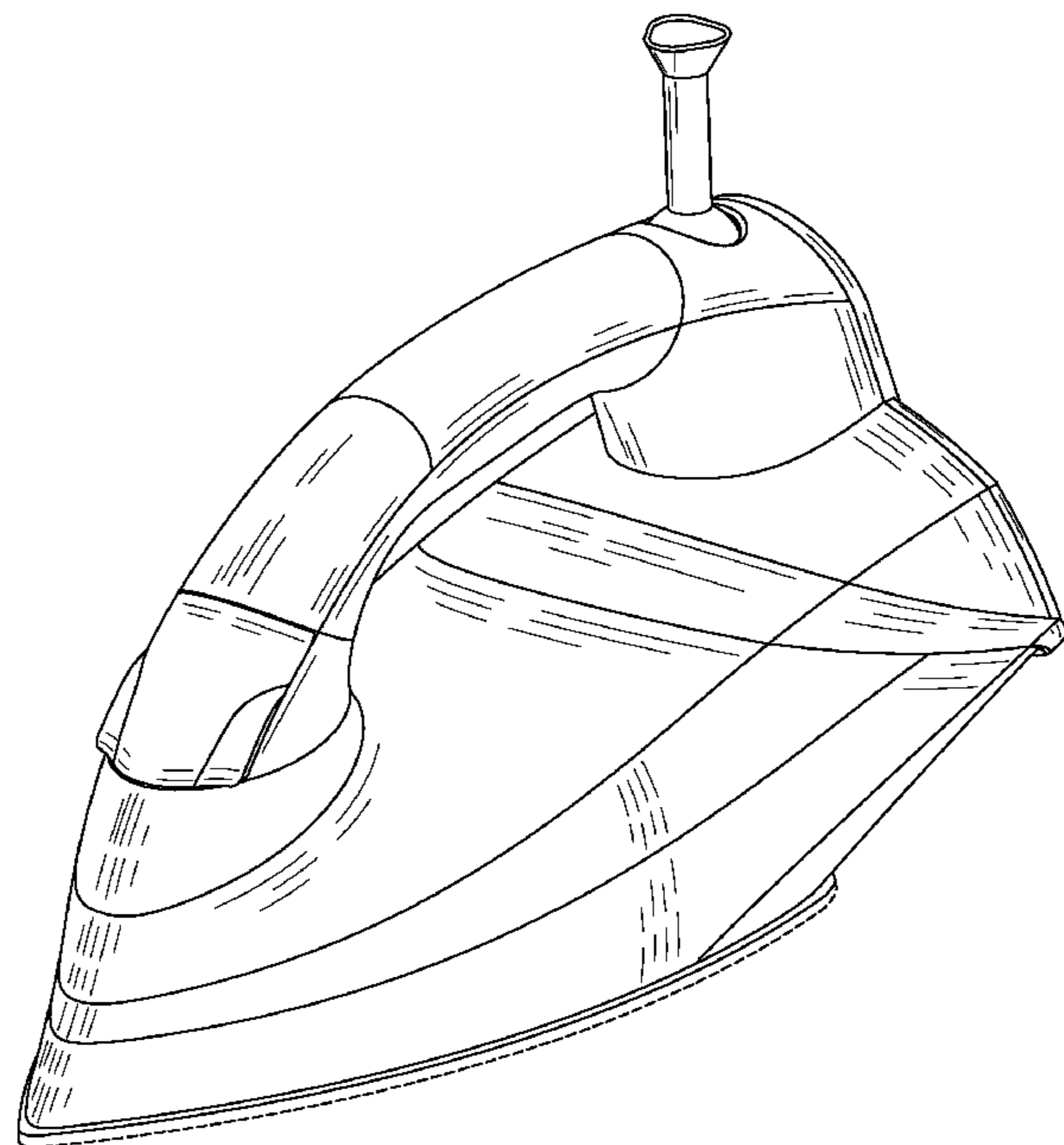
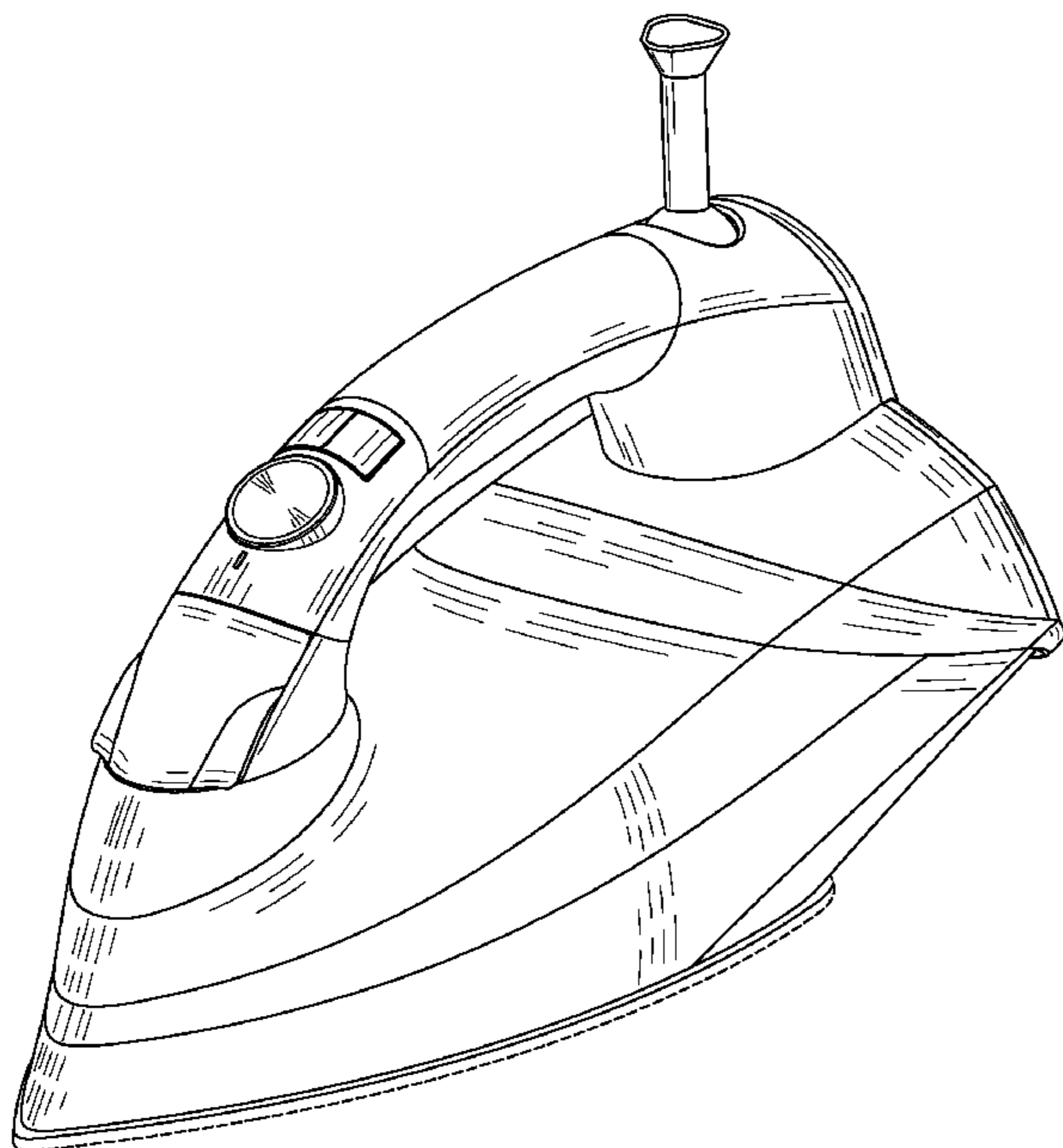
I claim the ornamental design for an iron, as shown and described.

DESCRIPTION

FIG. 1 is a front view of a first embodiment of an iron;
 FIG. 2 is a perspective view of the iron shown in FIG. 1;
 FIG. 3 is a right side view of the iron shown in FIG. 1, the left side view being similar;
 FIG. 4 is a top view of the iron shown in FIG. 1;
 FIG. 5 is a bottom view of the iron shown in FIG. 1;
 FIG. 6 is a rear view of the iron shown in FIG. 1;
 FIG. 7 is a front view of a second embodiment of an iron;
 FIG. 8 is a perspective view of the iron shown in FIG. 7;
 FIG. 9 is a right side view of the iron shown in FIG. 7, the left side view being similar;
 FIG. 10 is a top view of the iron shown in FIG. 7;
 FIG. 11 is a bottom view of the iron shown in FIG. 7; and,
 FIG. 12 is a rear view of the iron shown in FIG. 7.

The portion of the design shown in dotted lines in FIGS. 5 and 11 does not constitute part of the claimed design.

1 Claim, 12 Drawing Sheets



US D620,663 S

Page 2

U.S. PATENT DOCUMENTS

D565,820 S *	4/2008	Poon	D32/70	D580,119 S *	11/2008	Pino et al.	D32/70
D567,462 S *	4/2008	Renault et al.	D32/70	D581,621 S *	11/2008	Chen	D32/70
D568,020 S *	4/2008	Poon	D32/70	D582,620 S *	12/2008	Brown	D32/70
				D587,419 S *	2/2009	Garman et al.	D32/69

* cited by examiner

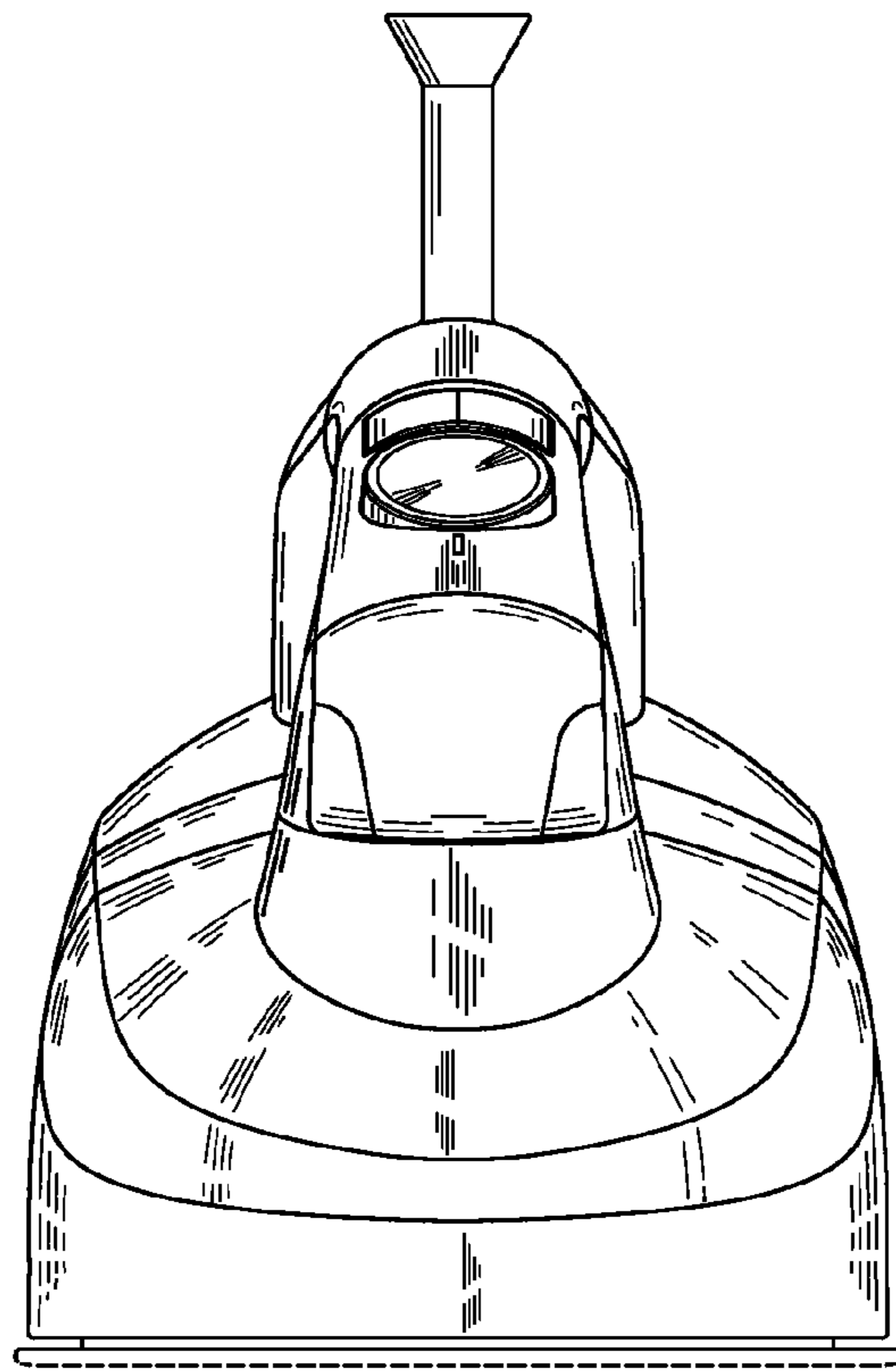


FIG. 1

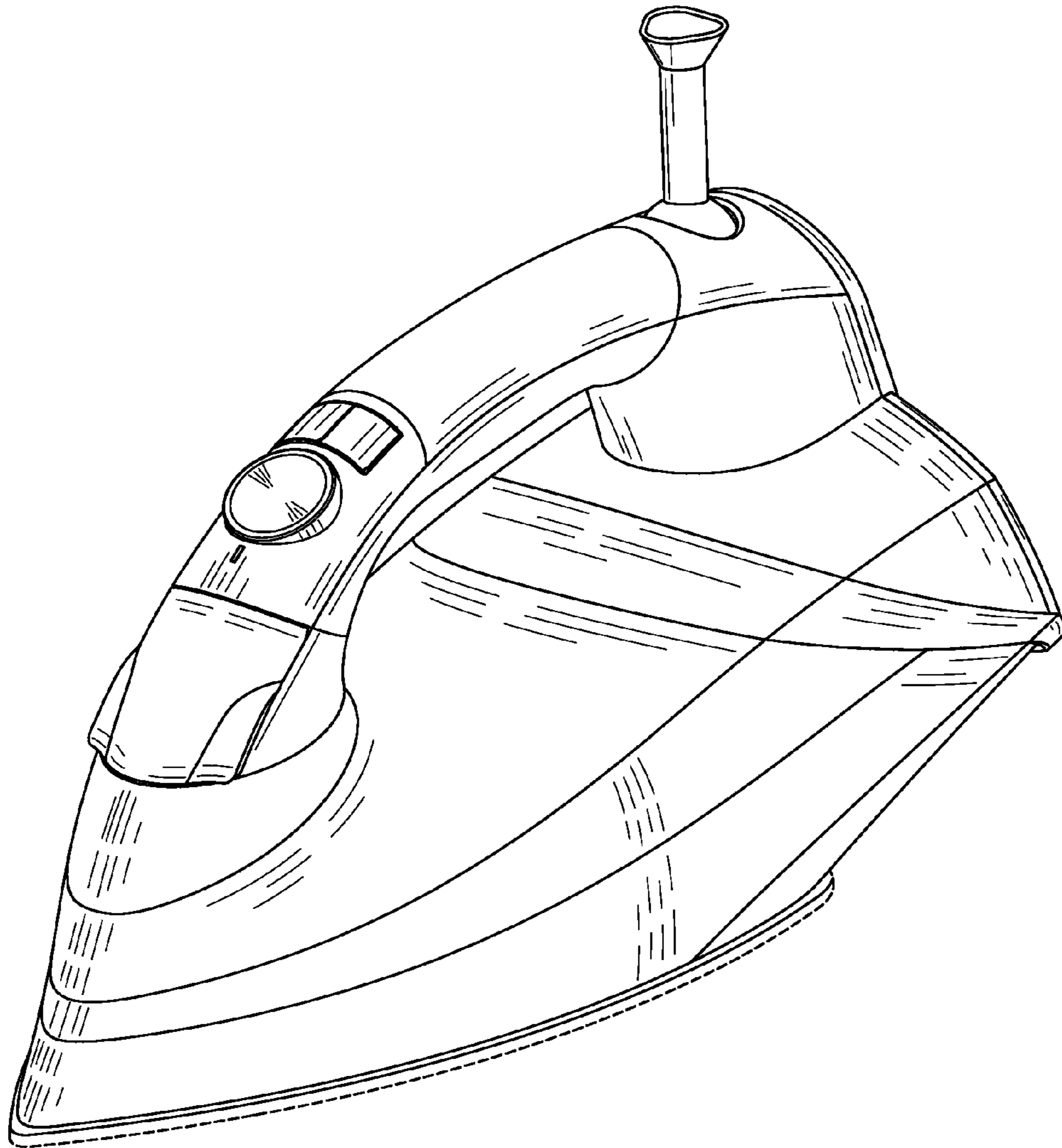


FIG.2

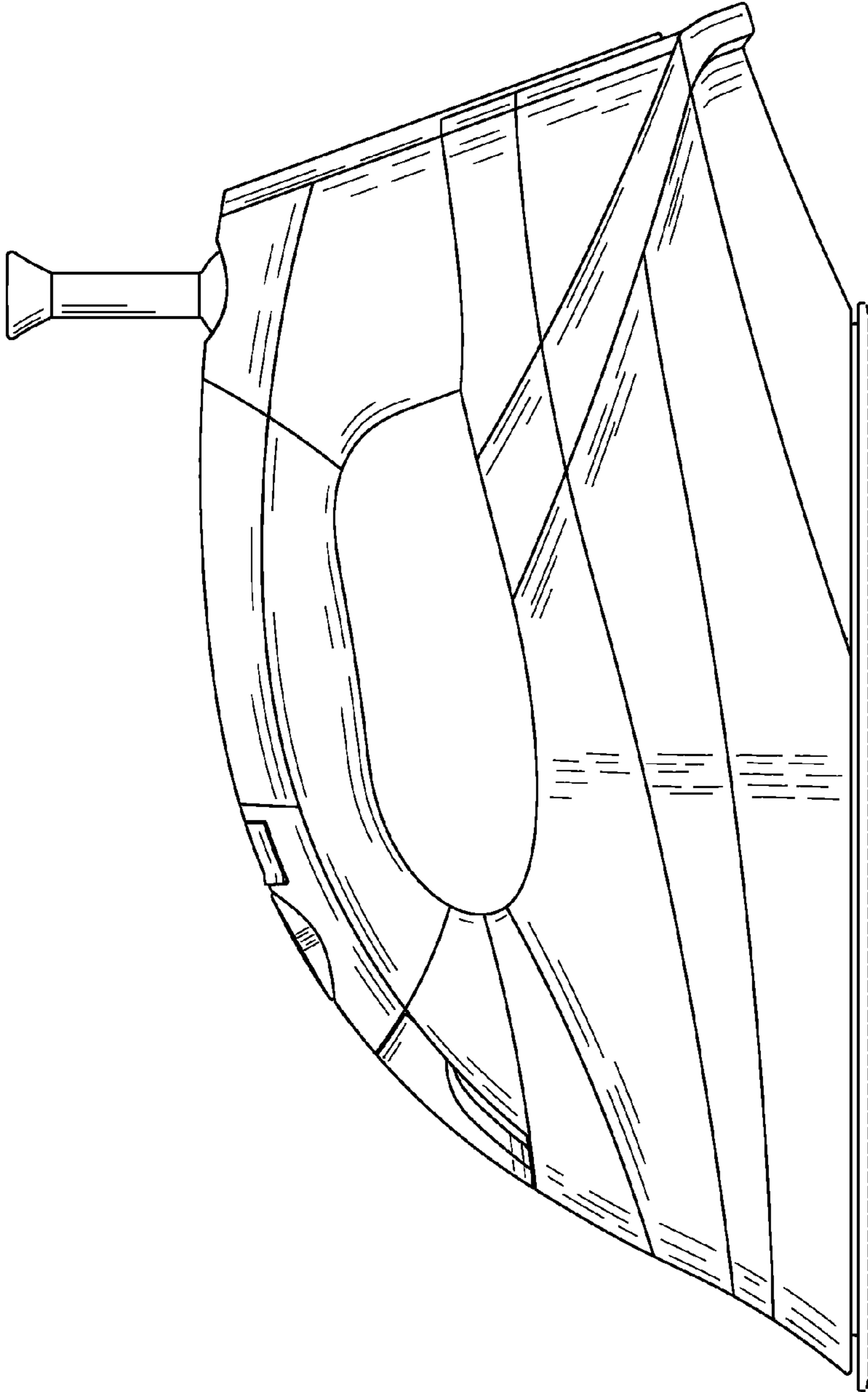


FIG. 3

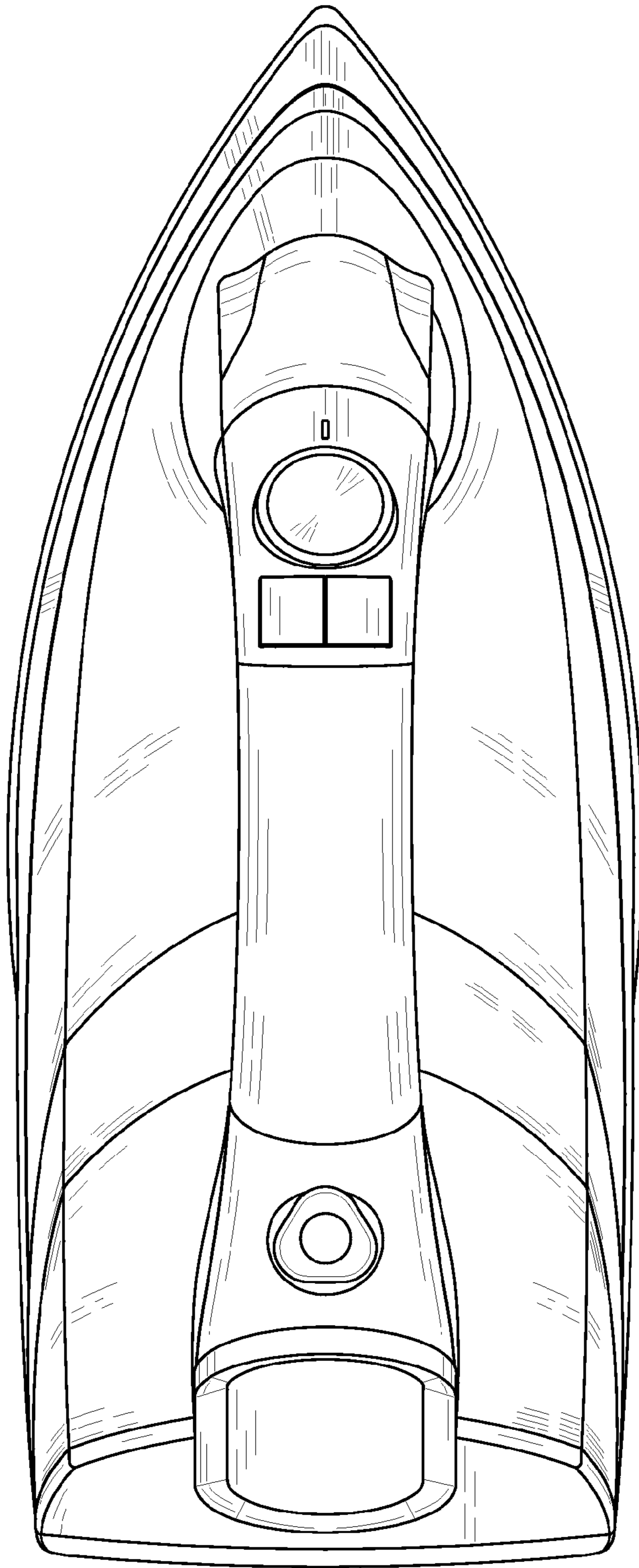


Fig. 4

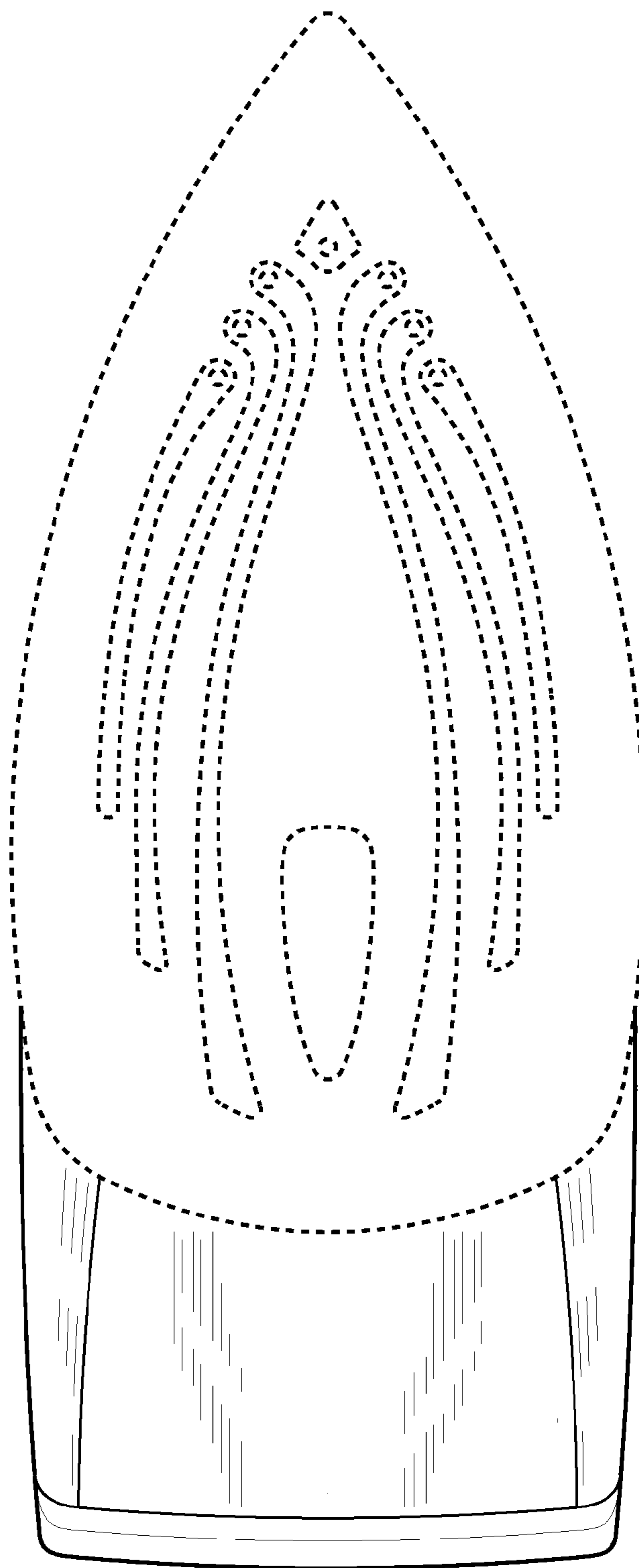


Fig. 5

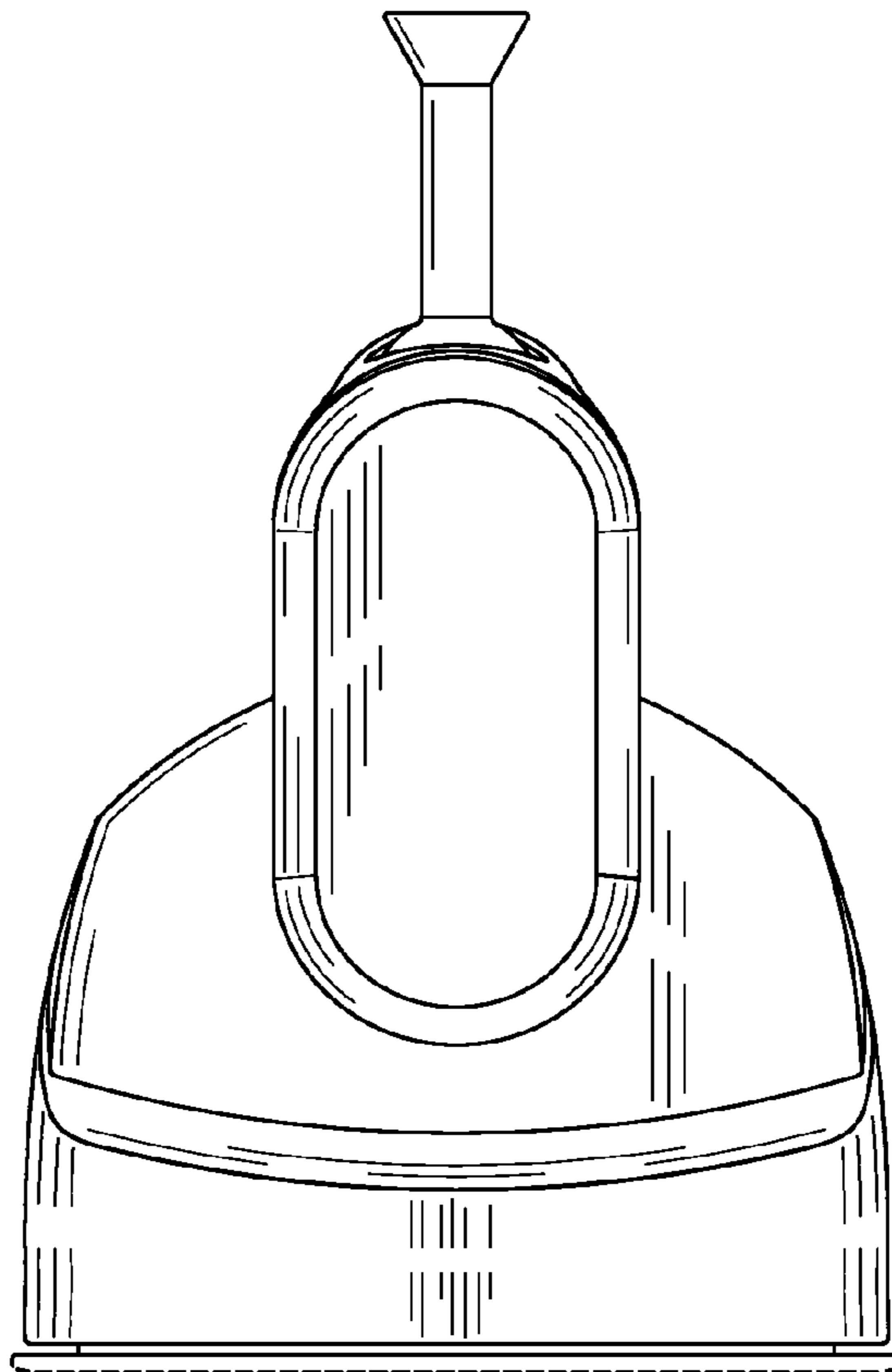


FIG.6

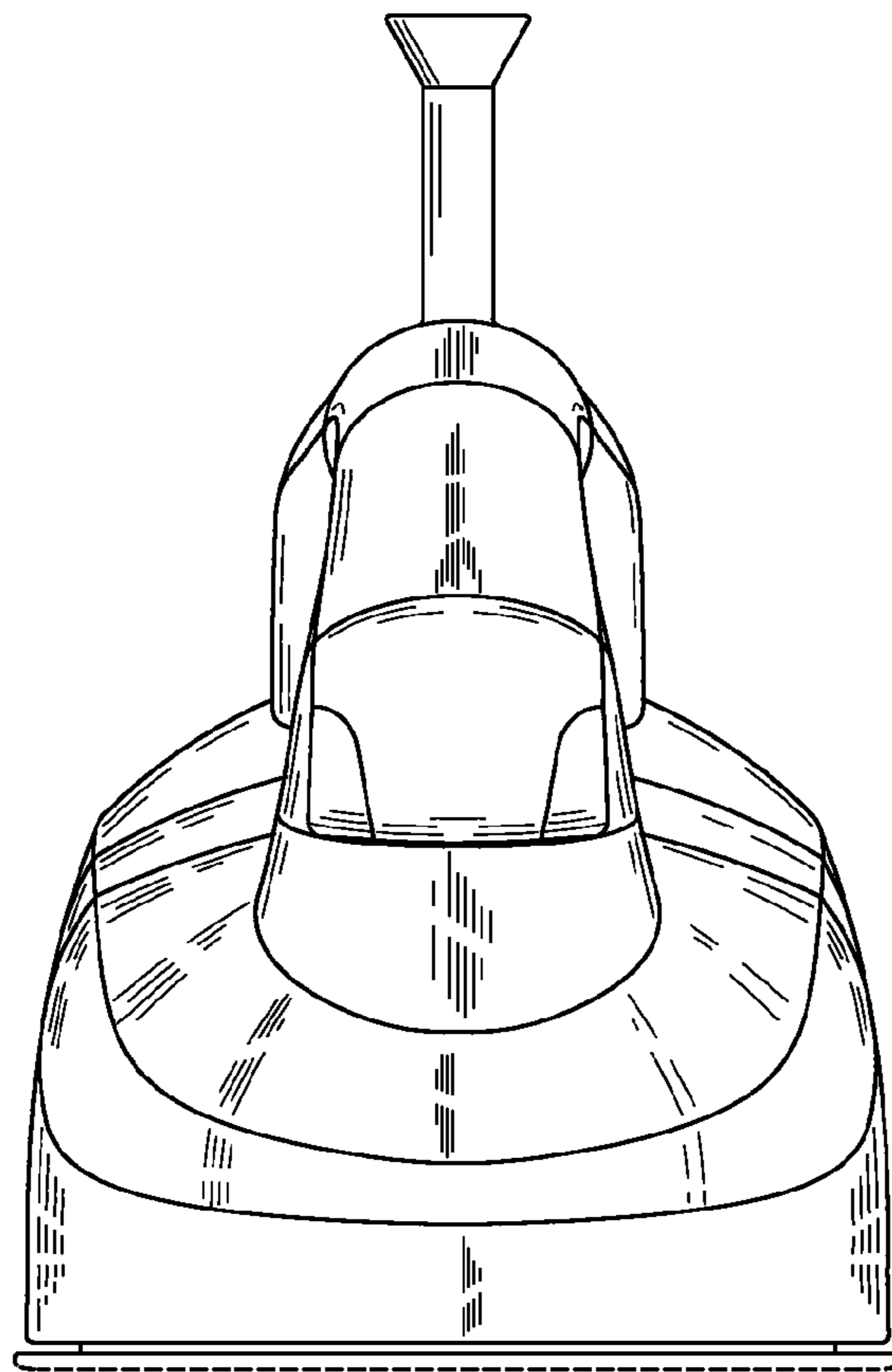


FIG. 7

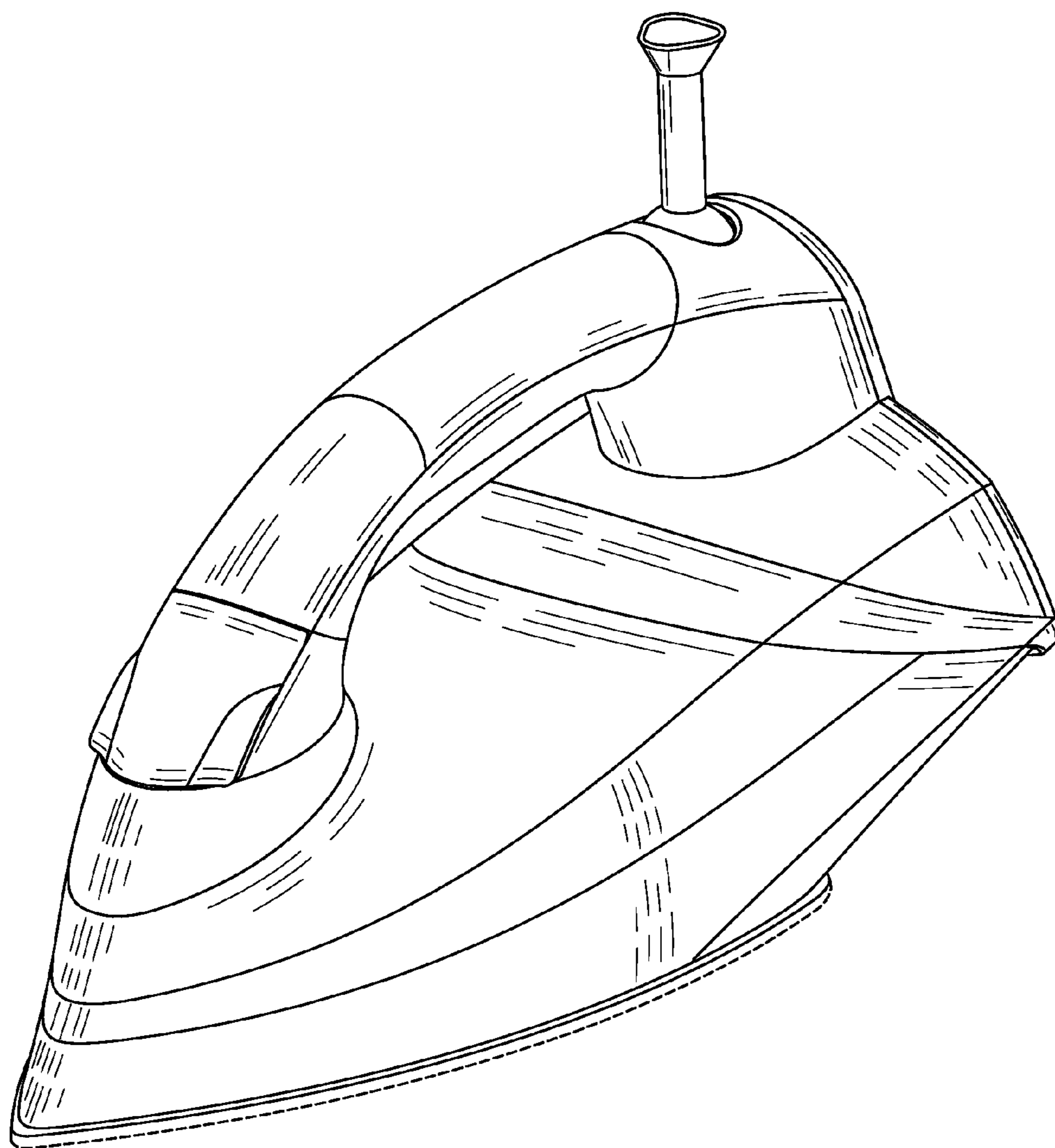


FIG. 8

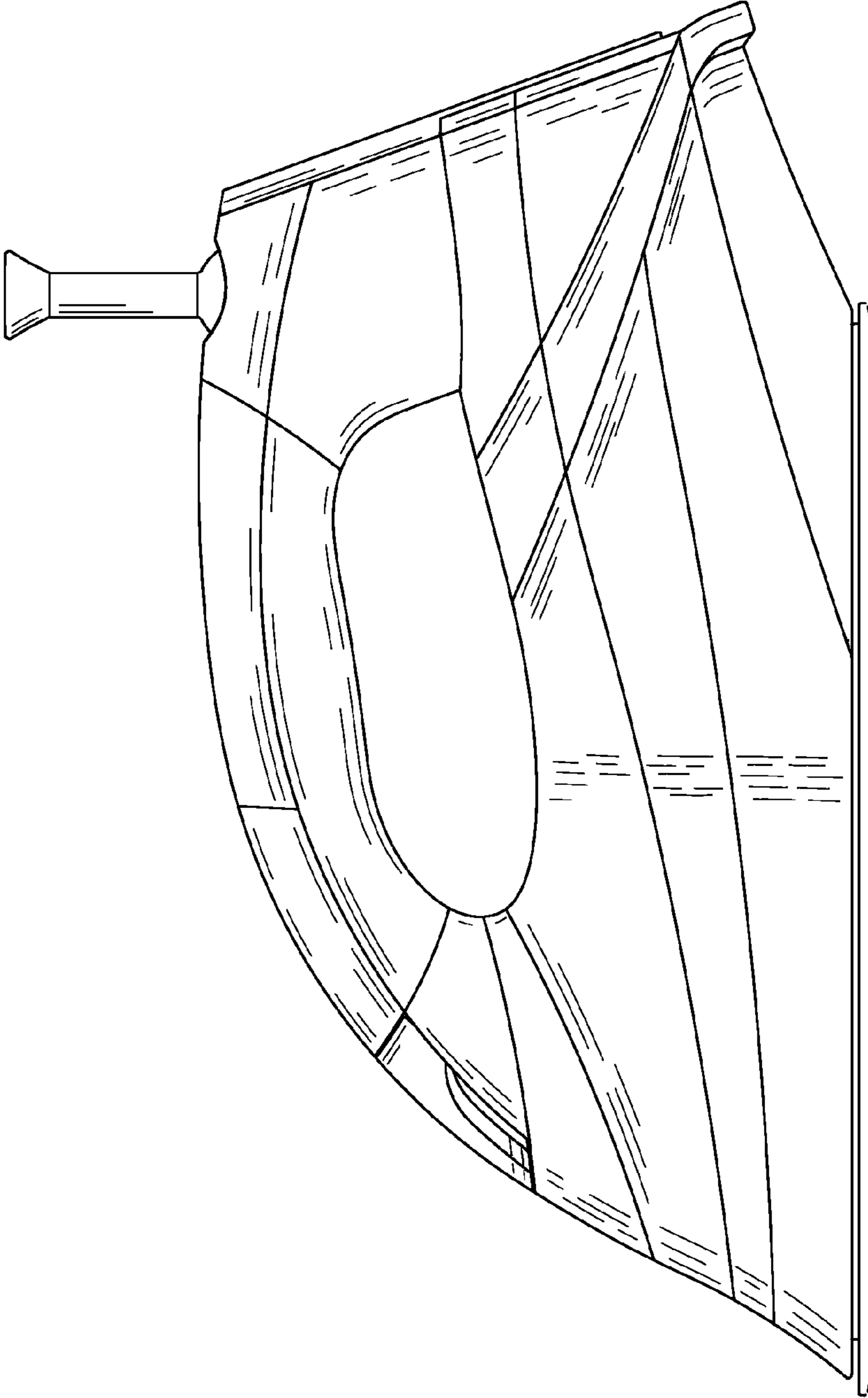


FIG. 9

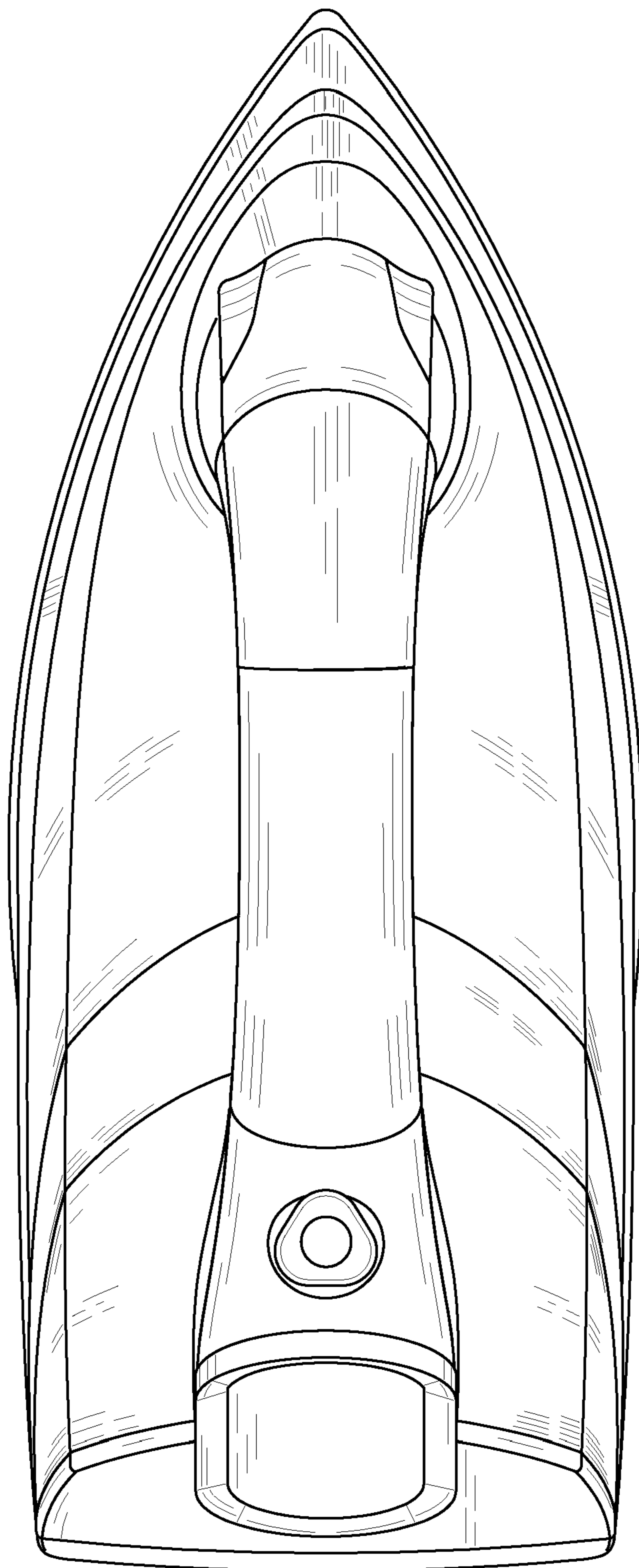


Fig. 10

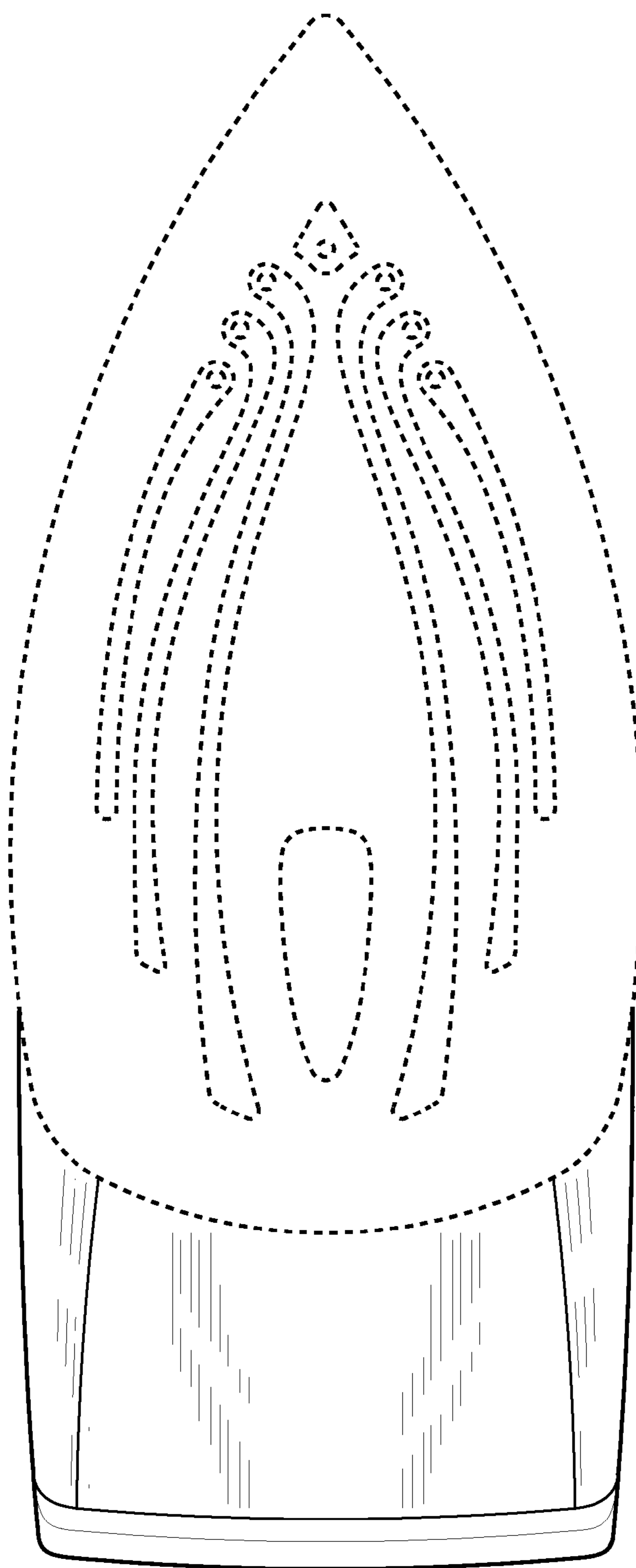


Fig. 11

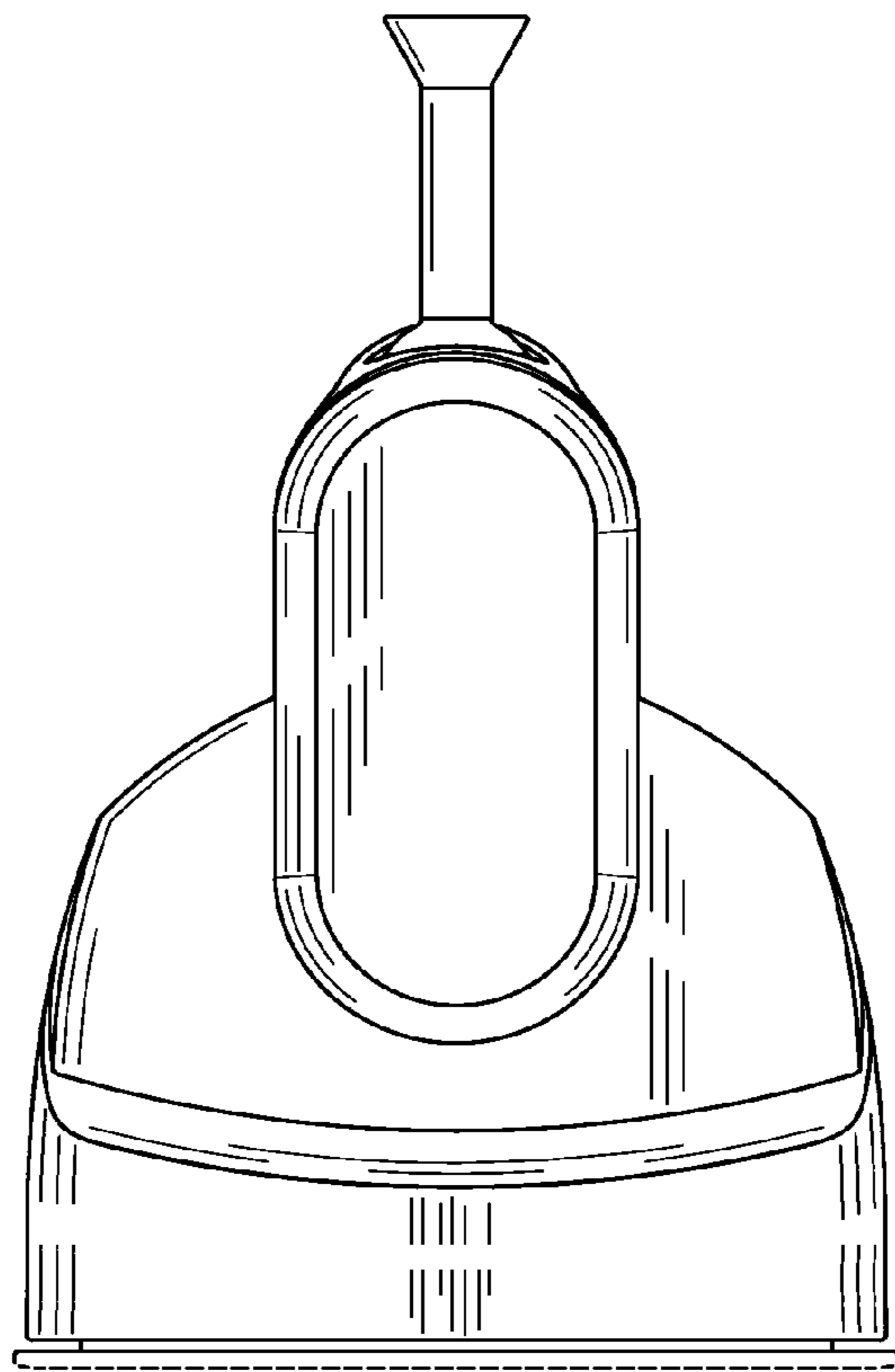


FIG. 12

UNITED STATES PATENT AND TRADEMARK OFFICE
CERTIFICATE OF CORRECTION

PATENT NO. : D620,663 S
APPLICATION NO. : 29/343996
DATED : July 27, 2010
INVENTOR(S) : Javier Zabala

Page 1 of 1

It is certified that error appears in the above-identified patent and that said Letters Patent is hereby corrected as shown below:

On Title page item 30

Please add foreign application priority data as follows:

Foreign Application Priority Data

March 31, 2009 (EP) 001115307-0001
March 31, 2009 (EP) 001115307-0002

Signed and Sealed this
Seventeenth Day of May, 2011



David J. Kappos
Director of the United States Patent and Trademark Office