



US00D620662S

(12) **United States Design Patent**
Blanchard

(10) **Patent No.:** **US D620,662 S**

(45) **Date of Patent:** **** *Jul. 27, 2010**

(54) **REMOVABLE PAINT CAN RIM**

D489,261 S * 5/2004 Doelling D9/447
D489,611 S * 5/2004 Monsanty D9/435

(76) Inventor: **Normand Blanchard**, 79 rue Jeanne
D'Arc, Gatineau, Quebec (CA) J8Y 2H5

* cited by examiner

(*) Notice: This patent is subject to a terminal disclaimer.

Primary Examiner—Robin V Webster
(74) *Attorney, Agent, or Firm*—George A. Seaby

(**) Term: **14 Years**

(57) **CLAIM**

(21) Appl. No.: **29/300,751**

The ornamental design for a removable paint can rim, as shown and described.

(22) Filed: **May 6, 2008**

DESCRIPTION

(51) **LOC (9) Cl.** **07-07**

FIG. 1 is a perspective view of the paint can rim as seen from above;

(52) **U.S. Cl.** **D32/54**

FIG. 2 is a top elevational view thereof;

(58) **Field of Classification Search** D32/53,
D32/53.1, 54; 220/570, 694–695, 698–701
See application file for complete search history.

FIG. 3 is a side elevational view thereof as seen from the bottom of FIG. 2, the other side being a mirror image thereof; and,

(56) **References Cited**

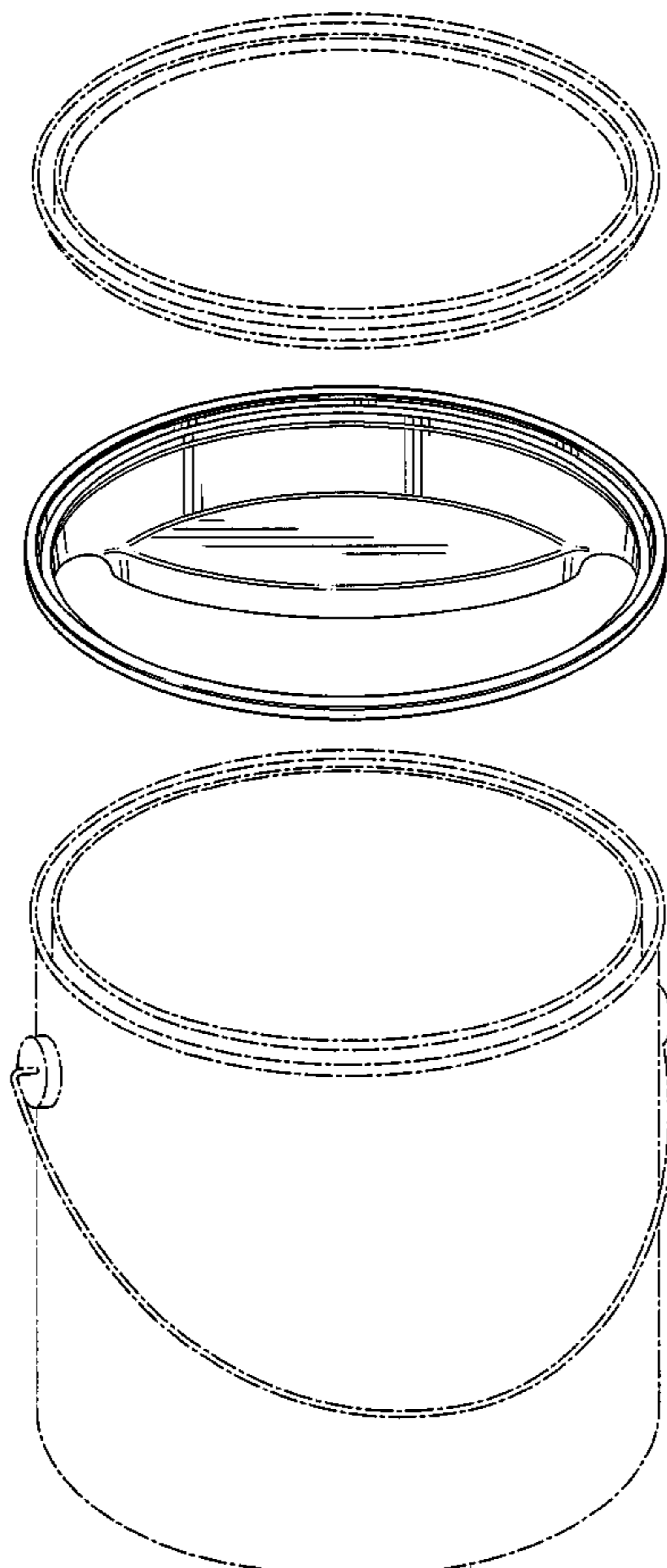
FIG. 4 is a cross section taken generally along line 4—4 of FIG. 2.

U.S. PATENT DOCUMENTS

The broken line showing of paint can and lid is included for the purpose of illustrating and forms no part of the claimed design.

3,329,307	A *	7/1967	Jacobson	220/695
3,395,828	A *	8/1968	Schnabel	220/697
D438,680	S *	3/2001	Cogdill	D32/53
6,213,338	B1 *	4/2001	Cogdill	220/700
D475,826	S *	6/2003	Mowe	D32/54
D476,787	S *	7/2003	Templeton	D32/54

1 Claim, 2 Drawing Sheets



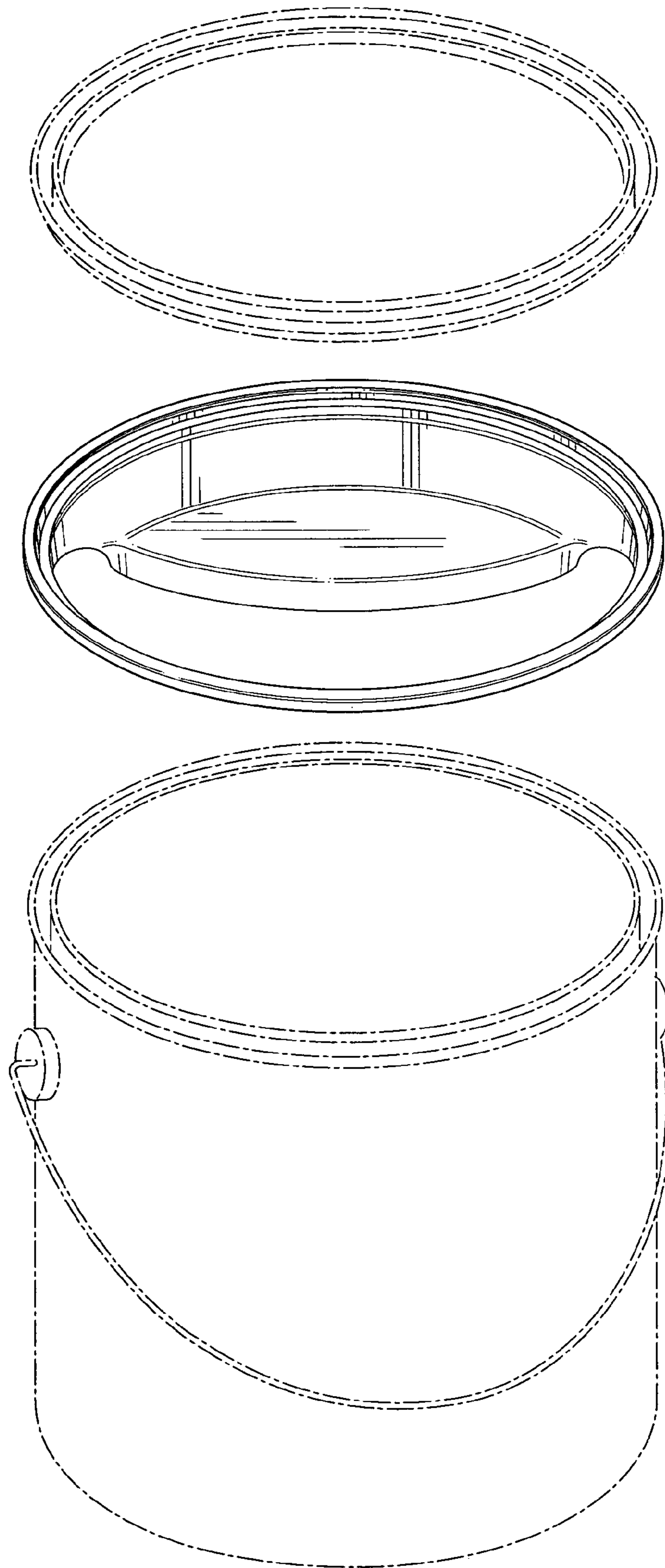


FIG. 1

