



US00D620661S

(12) **United States Design Patent**
Tsai

(10) **Patent No.:** **US D620,661 S**
(45) **Date of Patent:** **** Jul. 27, 2010**

(54) **MOP BUCKET**

(75) Inventor: **Hsuan-Chin Tsai**, Chai-Yi Hsien (TW)

(73) Assignee: **Fuh Shyan Co., Ltd.**, Chai-Yi Hsien (TW)

(**) Term: **14 Years**

(21) Appl. No.: **29/345,464**

(22) Filed: **Oct. 16, 2009**

(51) **LOC (9) Cl.** **07-07**

(52) **U.S. Cl.** **D32/53**

(58) **Field of Classification Search** D32/53,
D32/53.1, 54; D28/61; 220/904, 763, 765,
220/23.87; 15/260, 261, 262

See application file for complete search history.

(56) **References Cited**

U.S. PATENT DOCUMENTS

D527,153	S *	8/2006	Morad et al.	D32/53
D527,506	S *	8/2006	Camp et al.	D32/53
D531,368	S *	10/2006	Lauer	D32/53
D531,772	S *	11/2006	Lauer	D32/53
D536,851	S *	2/2007	Lauer	D32/53
D549,416	S *	8/2007	Sampaio	D32/53
7,318,247	B2 *	1/2008	Libman et al.	15/260
2002/0066152	A1 *	6/2002	Dingert	15/260
2002/0116781	A1 *	8/2002	Williams et al.	15/261
2006/0090283	A1 *	5/2006	Young	15/260

* cited by examiner

Primary Examiner—Cynthia E Ramirez

(74) *Attorney, Agent, or Firm*—Alan Kamrath; Kamrath & Associates PA

(57) **CLAIM**

The ornamental design for a mop bucket, as shown and described.

DESCRIPTION

FIG. 1 is a perspective view of a mop bucket showing the design;

FIG. 2 is a front elevation view of the mop bucket of FIG. 1;

FIG. 3 is a rear elevation view of the mop bucket of FIG. 1;

FIG. 4 is a left side elevation view of the mop bucket of FIG. 1;

FIG. 5 is a right side elevation view of the mop bucket of FIG. 1;

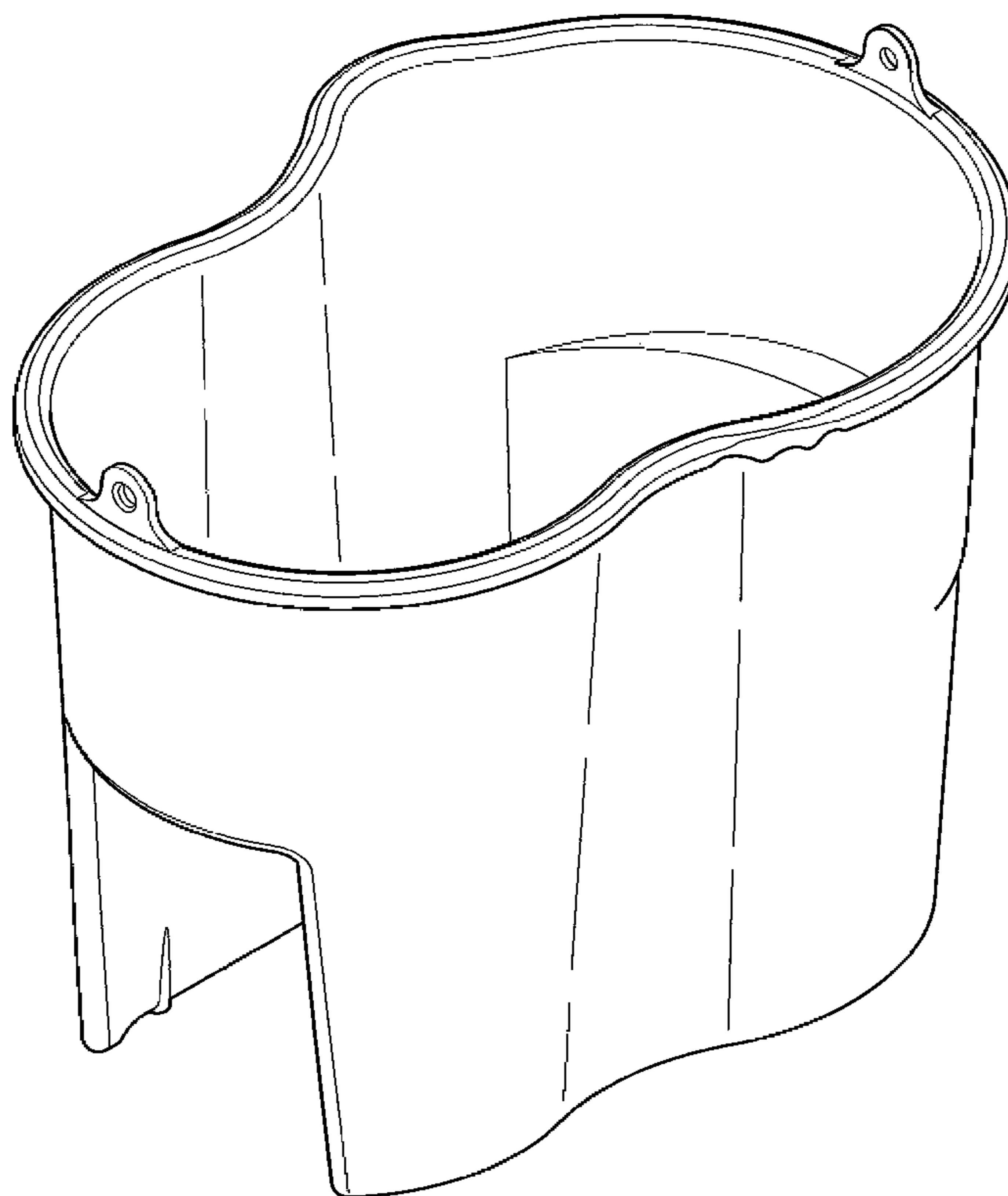
FIG. 6 is a top plan view of the mop bucket of FIG. 1;

FIG. 7 is a bottom plan view of the mop bucket of FIG. 1;

FIG. 8 is another perspective view of the mop bucket of FIG. 1; and,

FIG. 9 is a cross-sectional view taken along line A—A of FIG. 2.

1 Claim, 9 Drawing Sheets



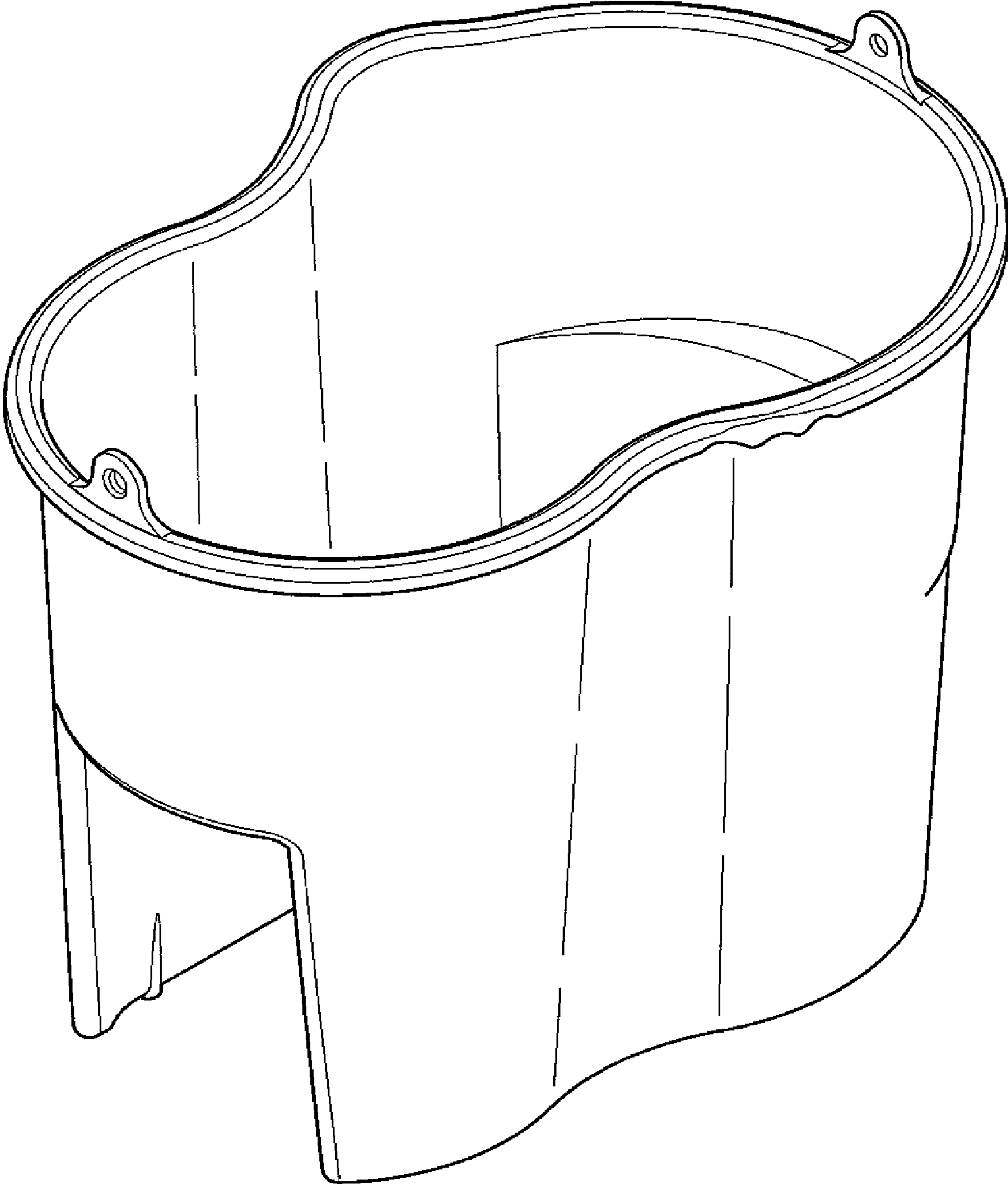


FIG.1

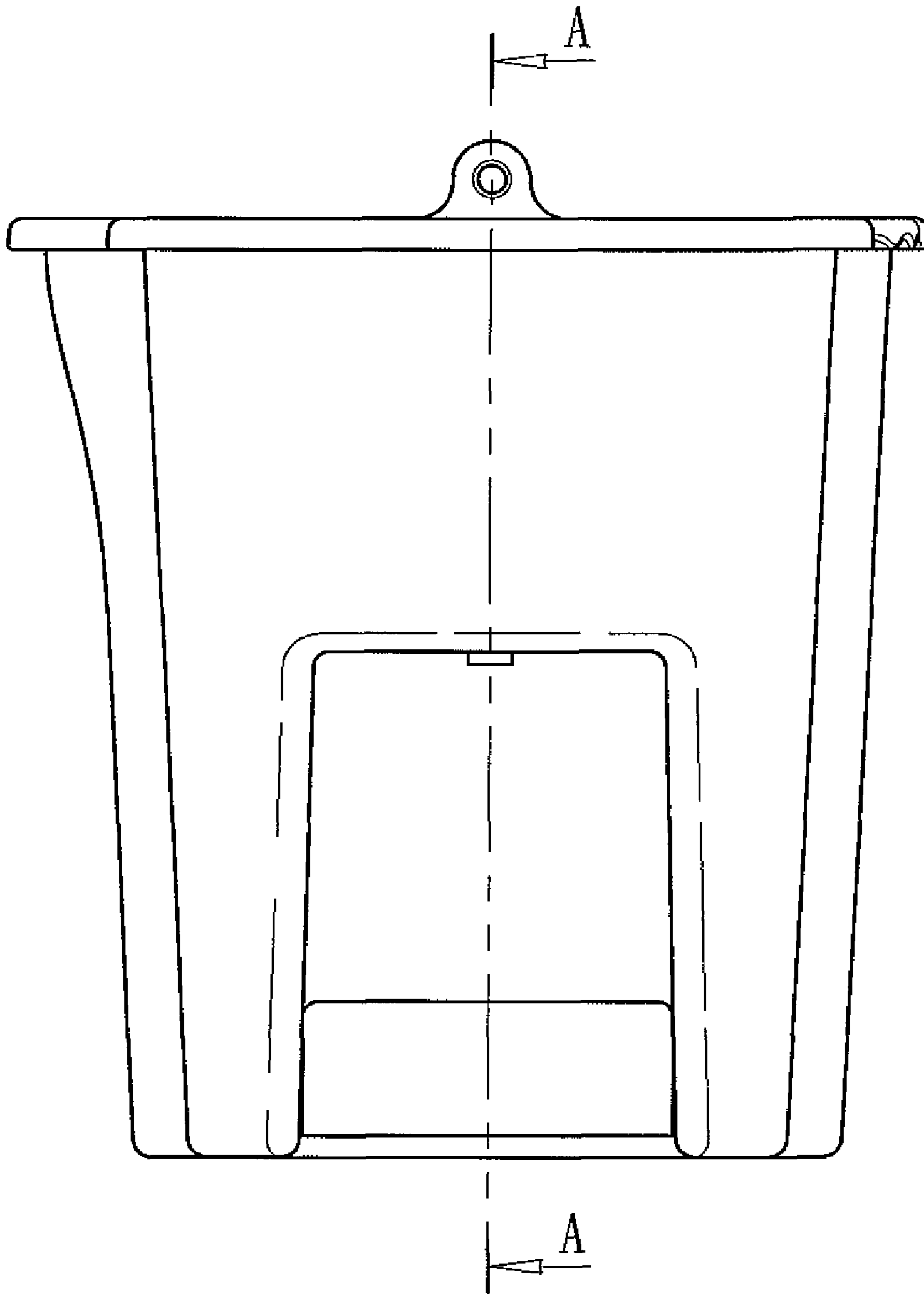


FIG.2

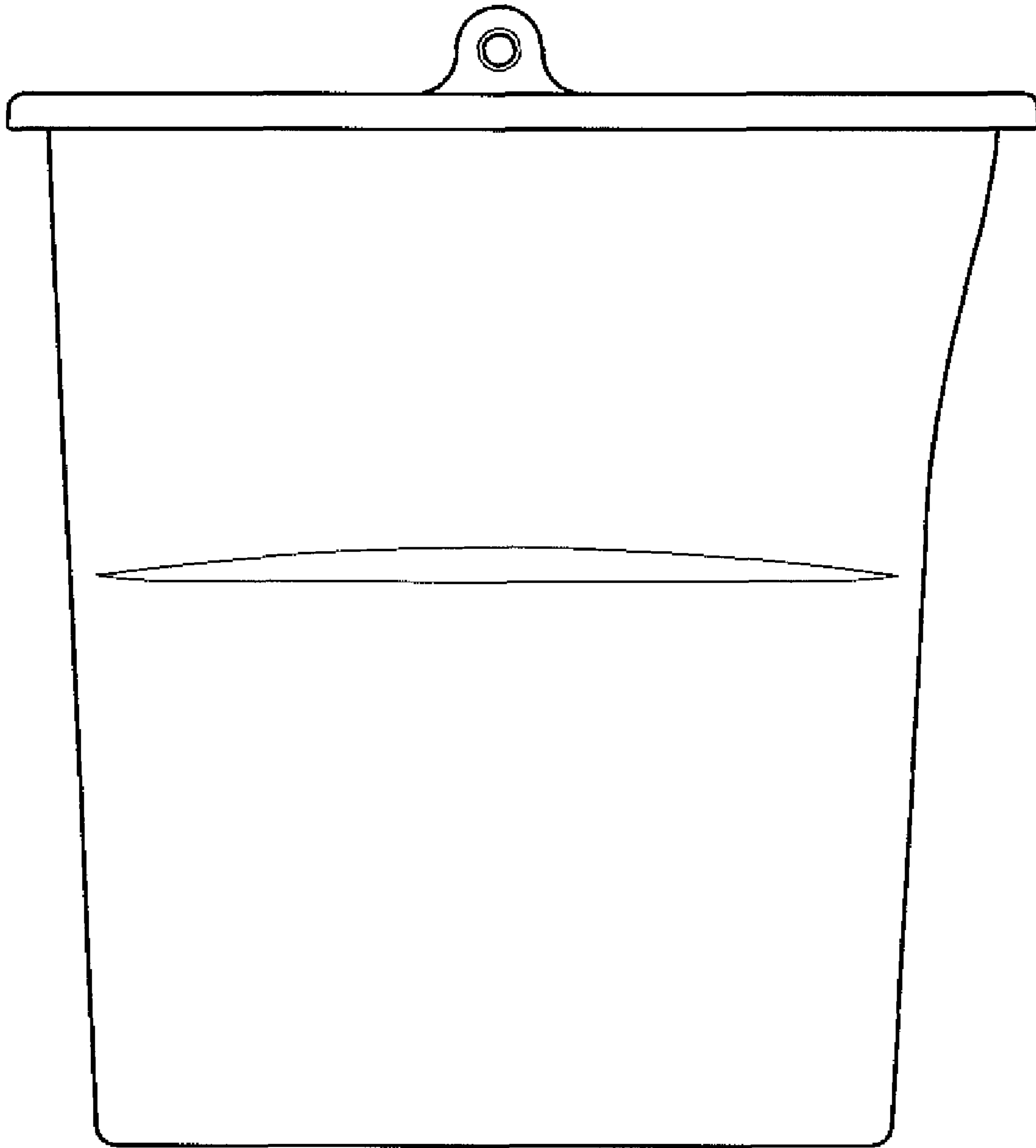


FIG.3

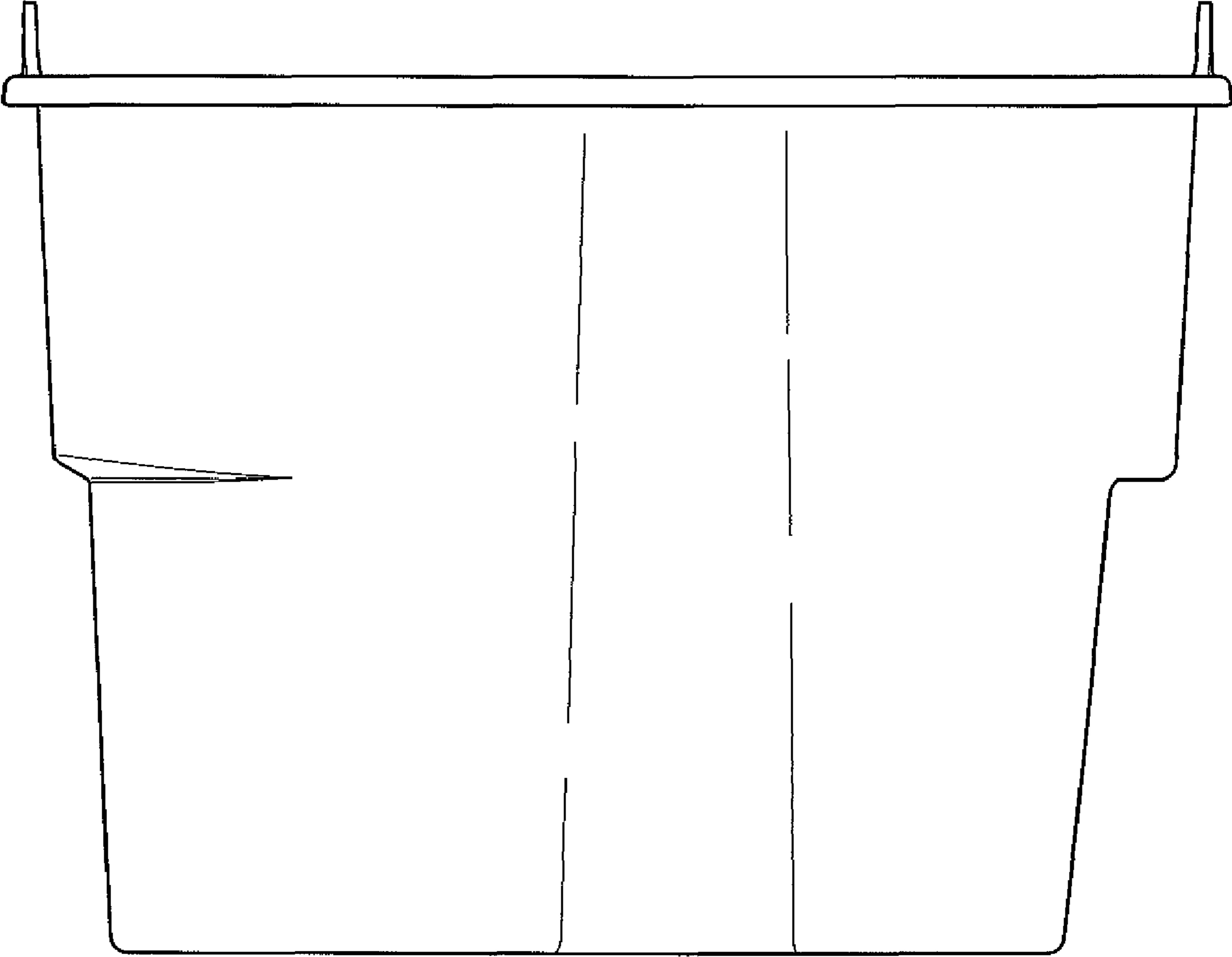


FIG.4

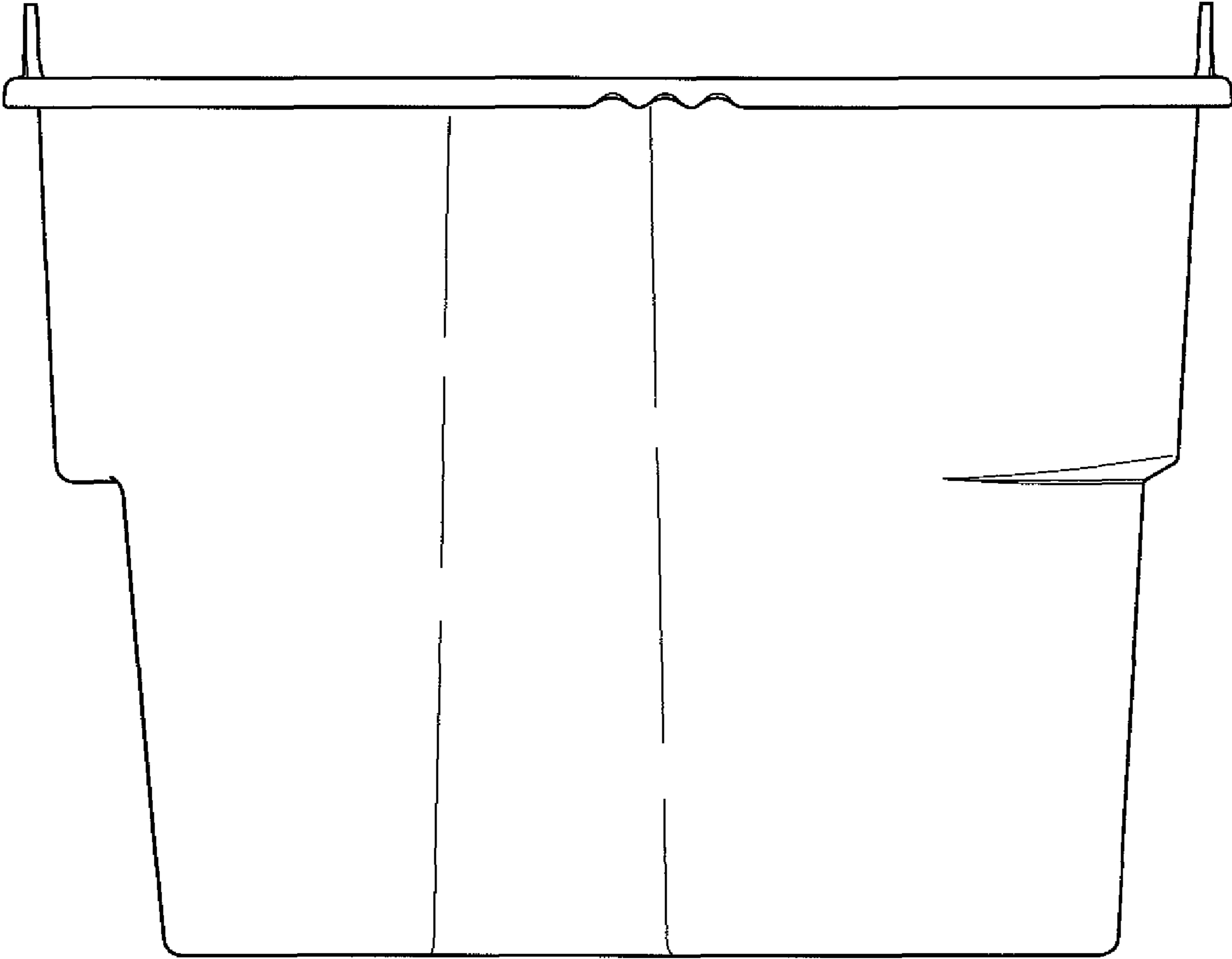


FIG.5

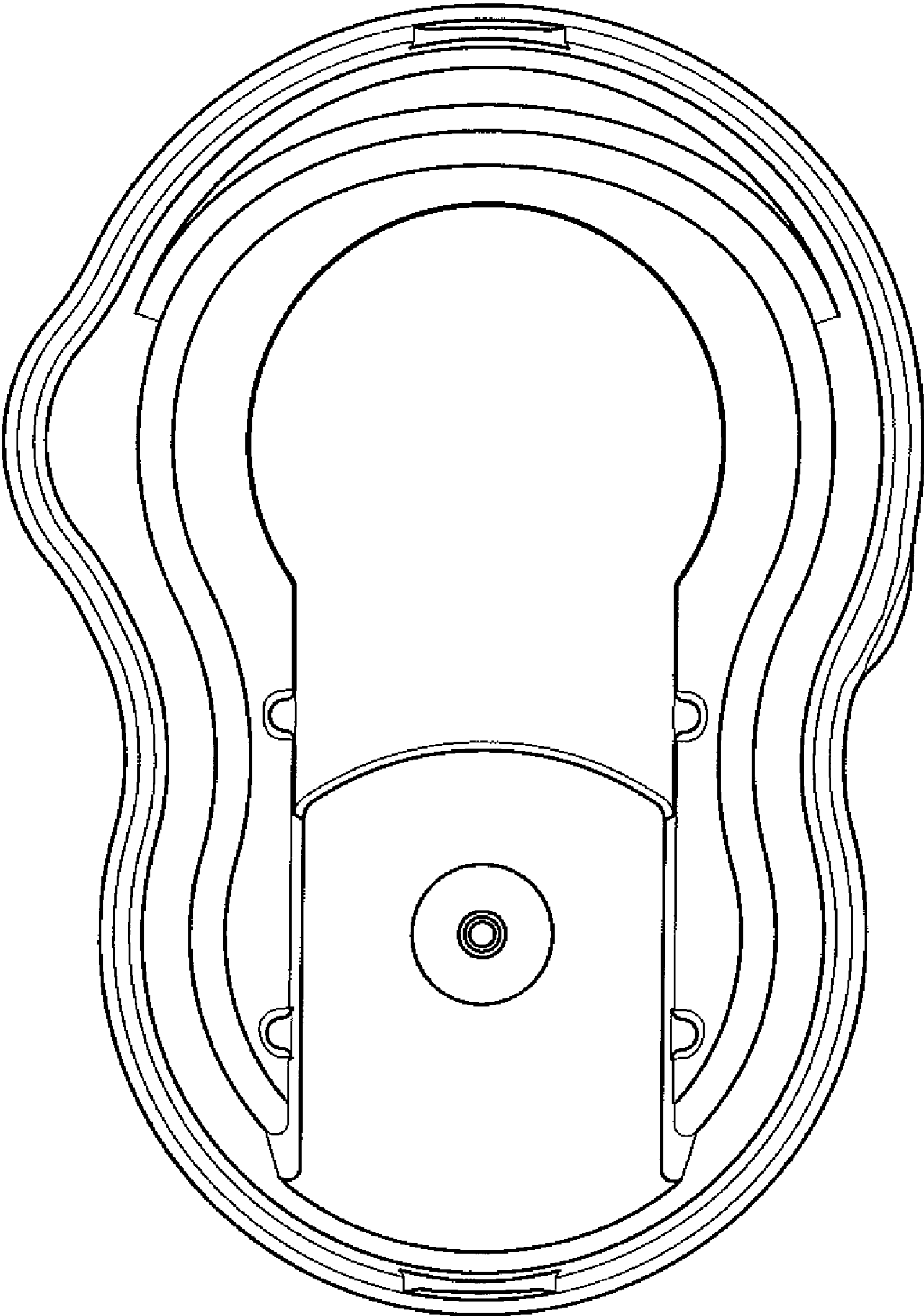


FIG.6

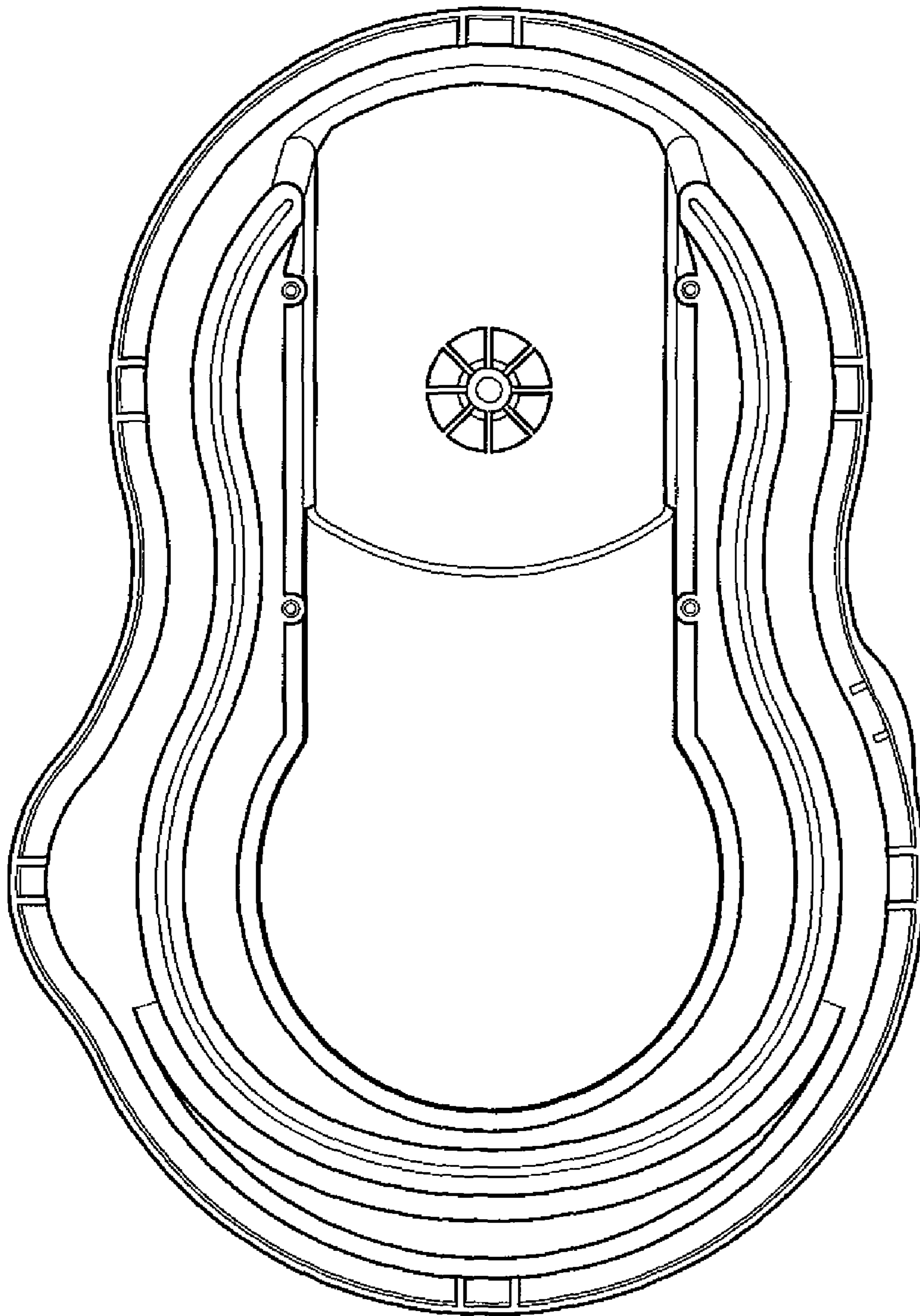


FIG.7

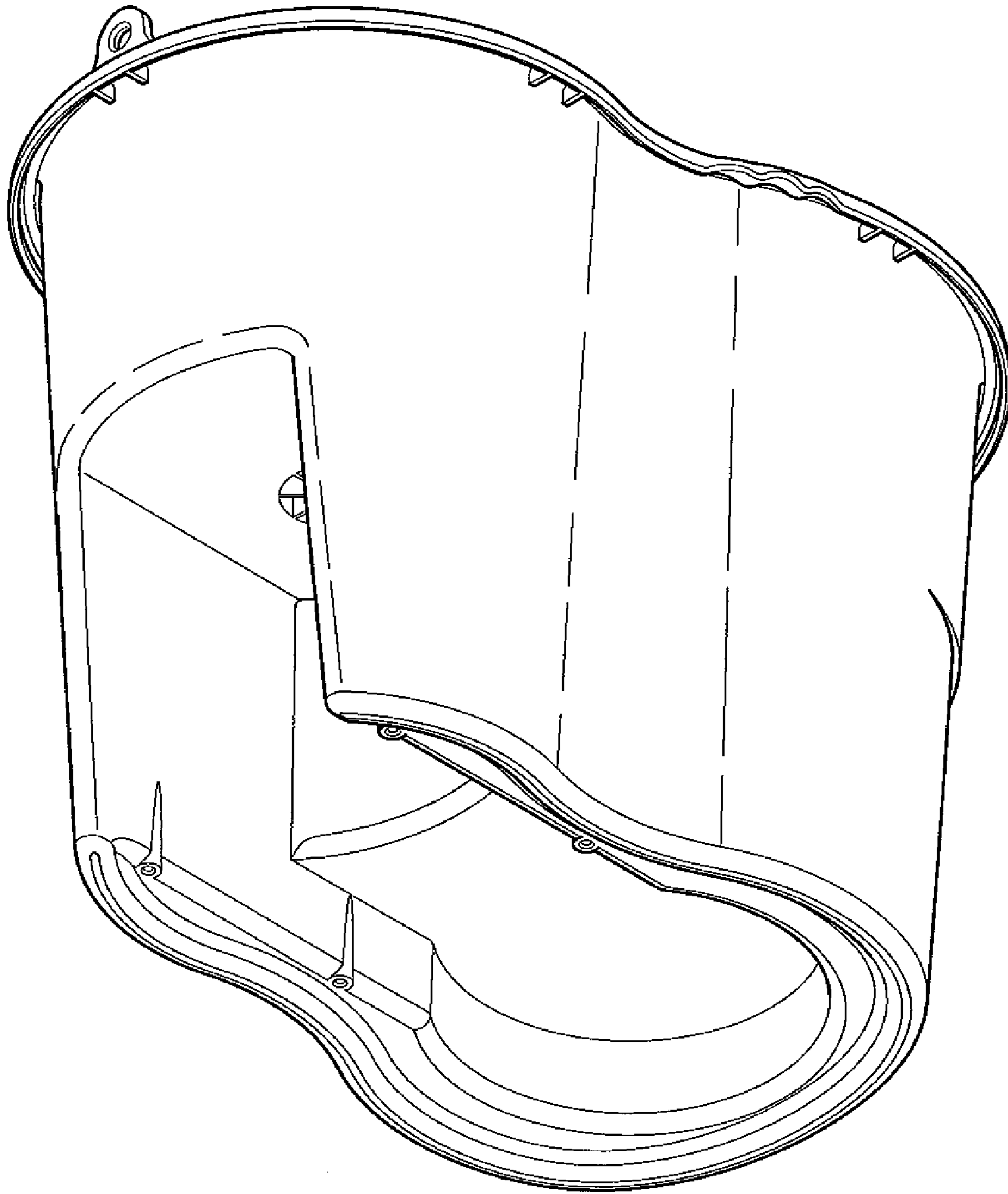


FIG.8

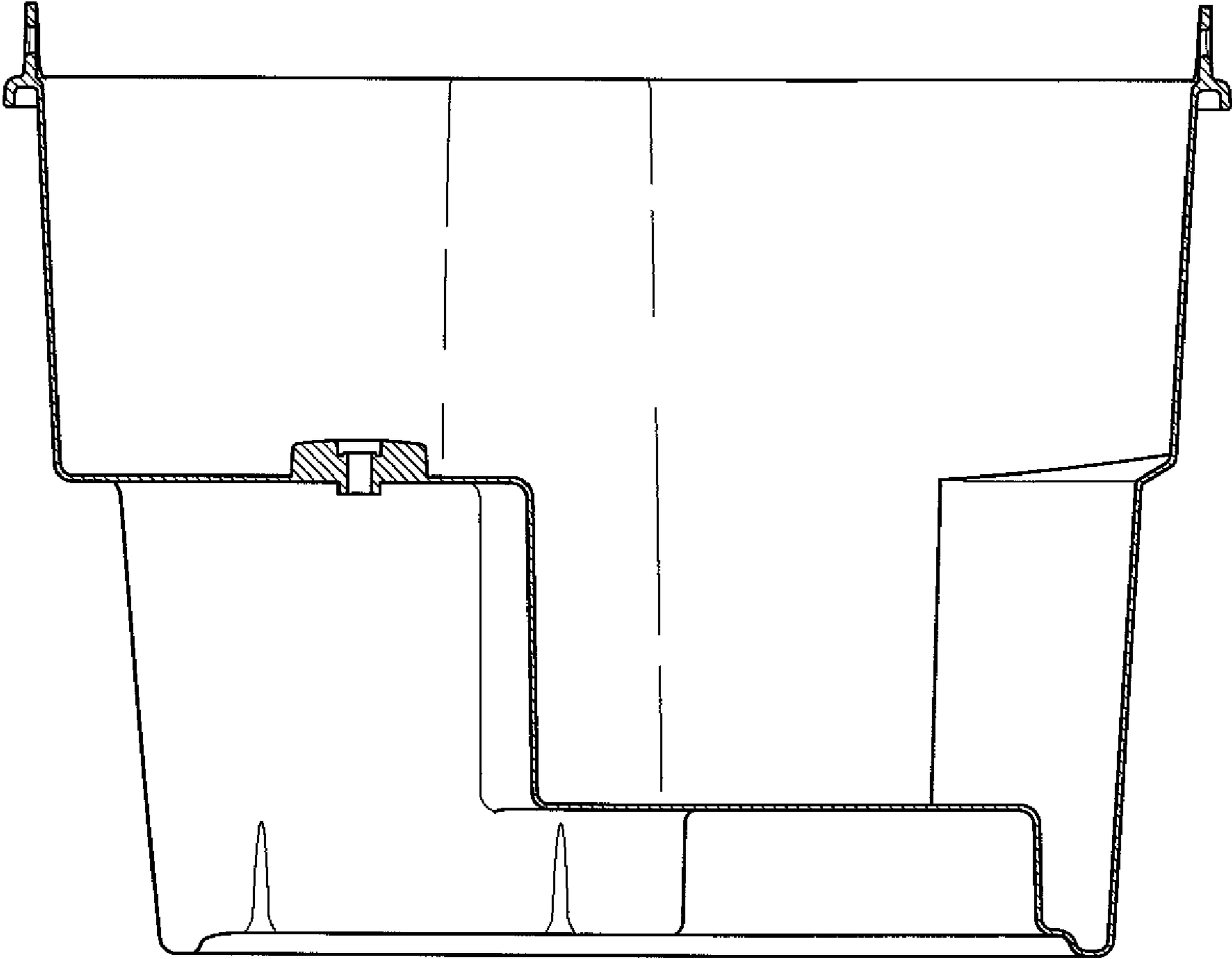


FIG.9