



US00D620658S

(12) **United States Design Patent**
Johnson

(10) **Patent No.:** **US D620,658 S**

(45) **Date of Patent:** **** Jul. 27, 2010**

(54) **PAINT SCRAPER**

7,437,794 B2 * 10/2008 Massaro 15/236.05

(76) **Inventor:** **Phillip A. Johnson**, 388 Collier Ridge
Dr., NW., Atlanta, GA (US) 30318-7348

* cited by examiner

Primary Examiner—Nanda Bondade

(74) *Attorney, Agent, or Firm*—Rodger & Rodgers

(**) **Term:** **14 Years**

(21) **Appl. No.:** **29/316,801**

(57) **CLAIM**

(22) **Filed:** **Nov. 2, 2009**

The ornamental design for a paint scraper, as shown and described.

(51) **LOC (9) Cl.** **04-01**

(52) **U.S. Cl.** **D32/46**

(58) **Field of Classification Search** D8/14,
D8/45; D32/40, 46; 15/105, 105.5, 111,
15/220, 232, 236.01, 236.05, 231.07, 245.1;
425/105, 458

DESCRIPTION

See application file for complete search history.

FIG. 1 is a perspective view of a paint scraper showing my new design;

FIG. 2 is a top plan view thereof;

FIG. 3 is a front elevational view thereof, the rear being a mirror image;

FIG. 4 is a bottom plan view thereof;

FIG. 5 is a right-side elevational view thereof; and,

FIG. 6 is a left-side elevational view thereof.

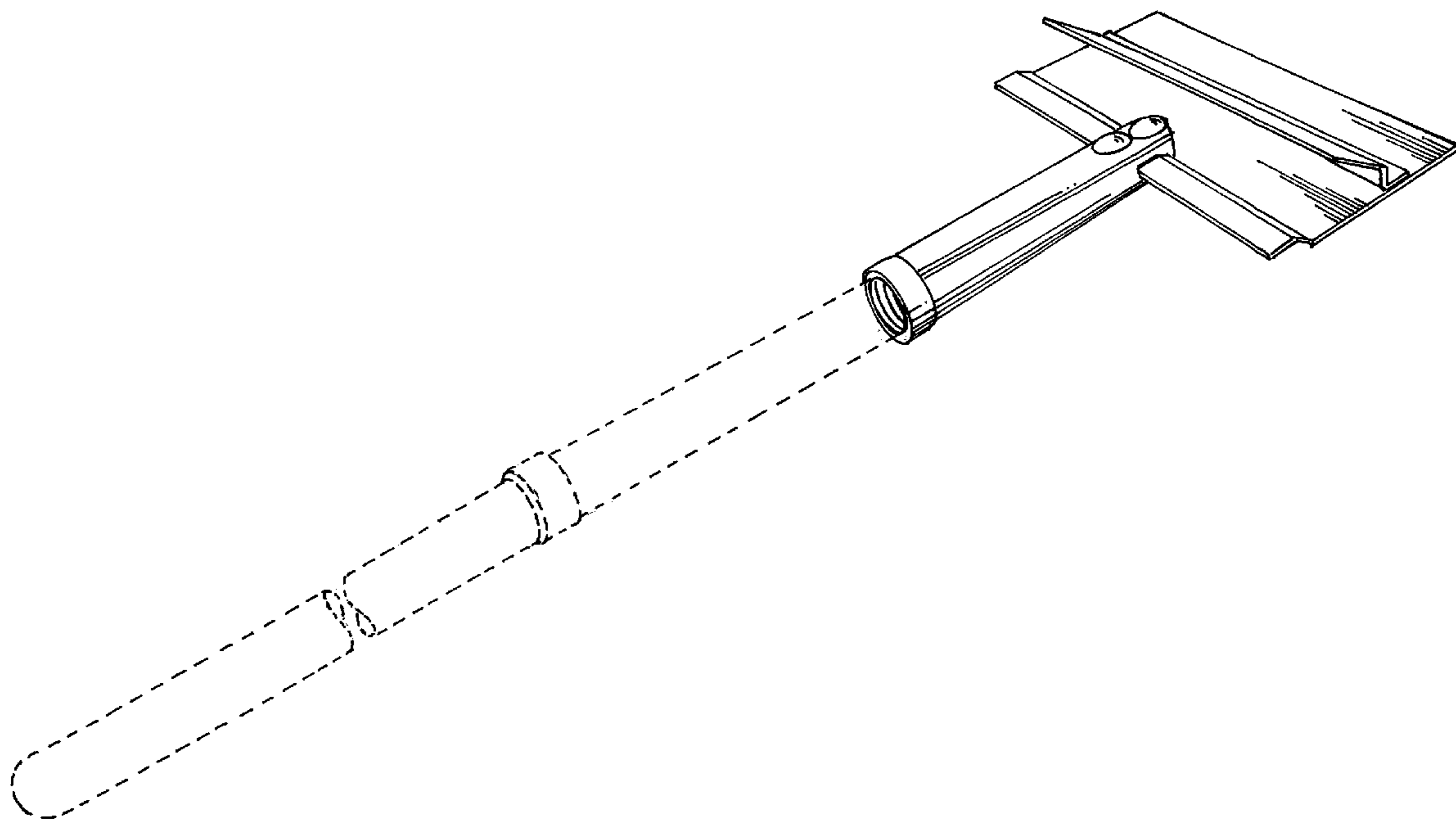
The broken lines in FIG. 1 are for the purpose of illustrating environment and form no part of the claimed design.

(56) **References Cited**

U.S. PATENT DOCUMENTS

3,773,375	A *	11/1973	Nehls	15/105
4,091,579	A *	5/1978	Giangiulio	15/111
D386,851	S *	11/1997	Levine	D32/40
D532,741	S *	11/2006	Lin	D32/40
D558,416	S *	12/2007	Kenny	D32/40

1 Claim, 3 Drawing Sheets



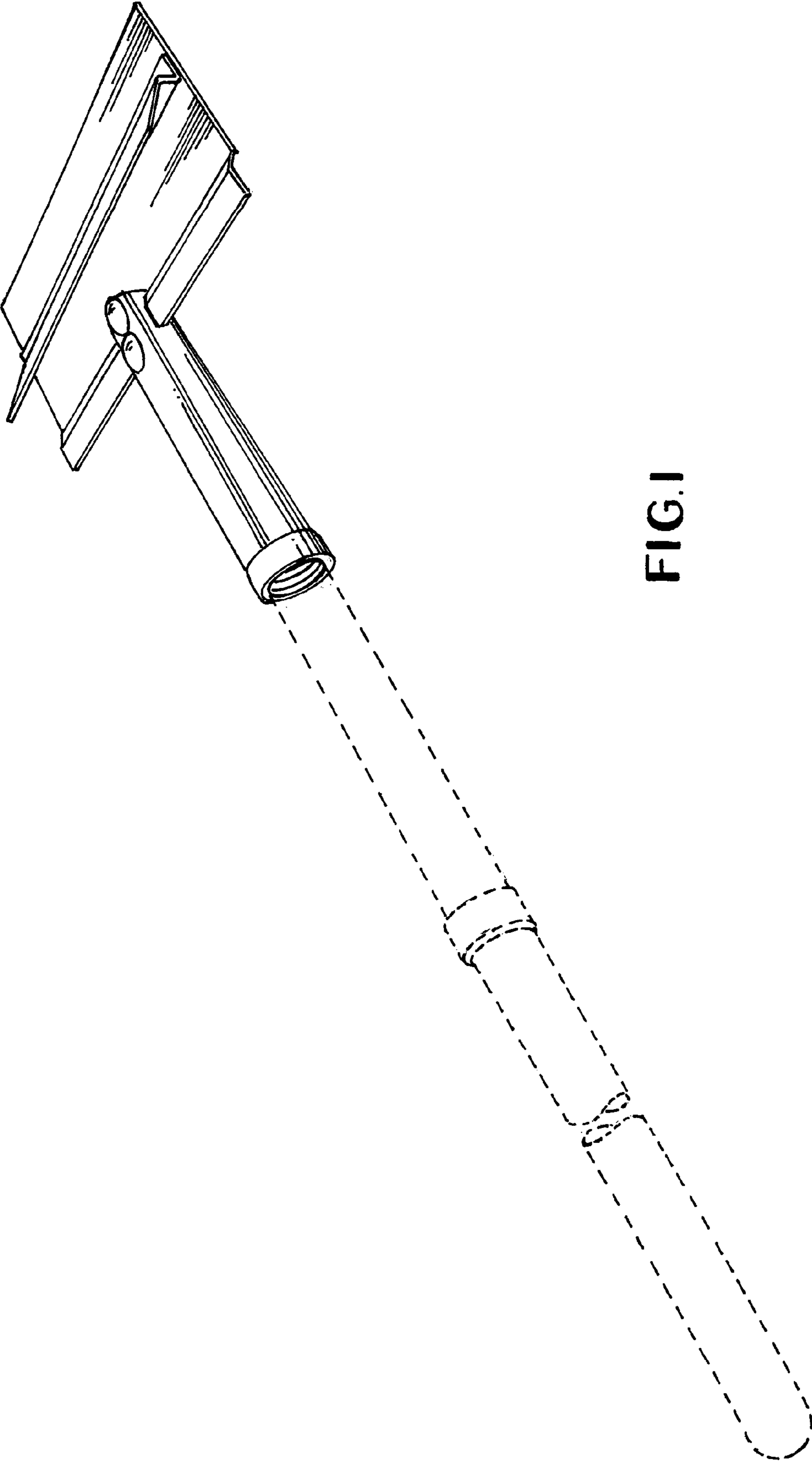


FIG. 1

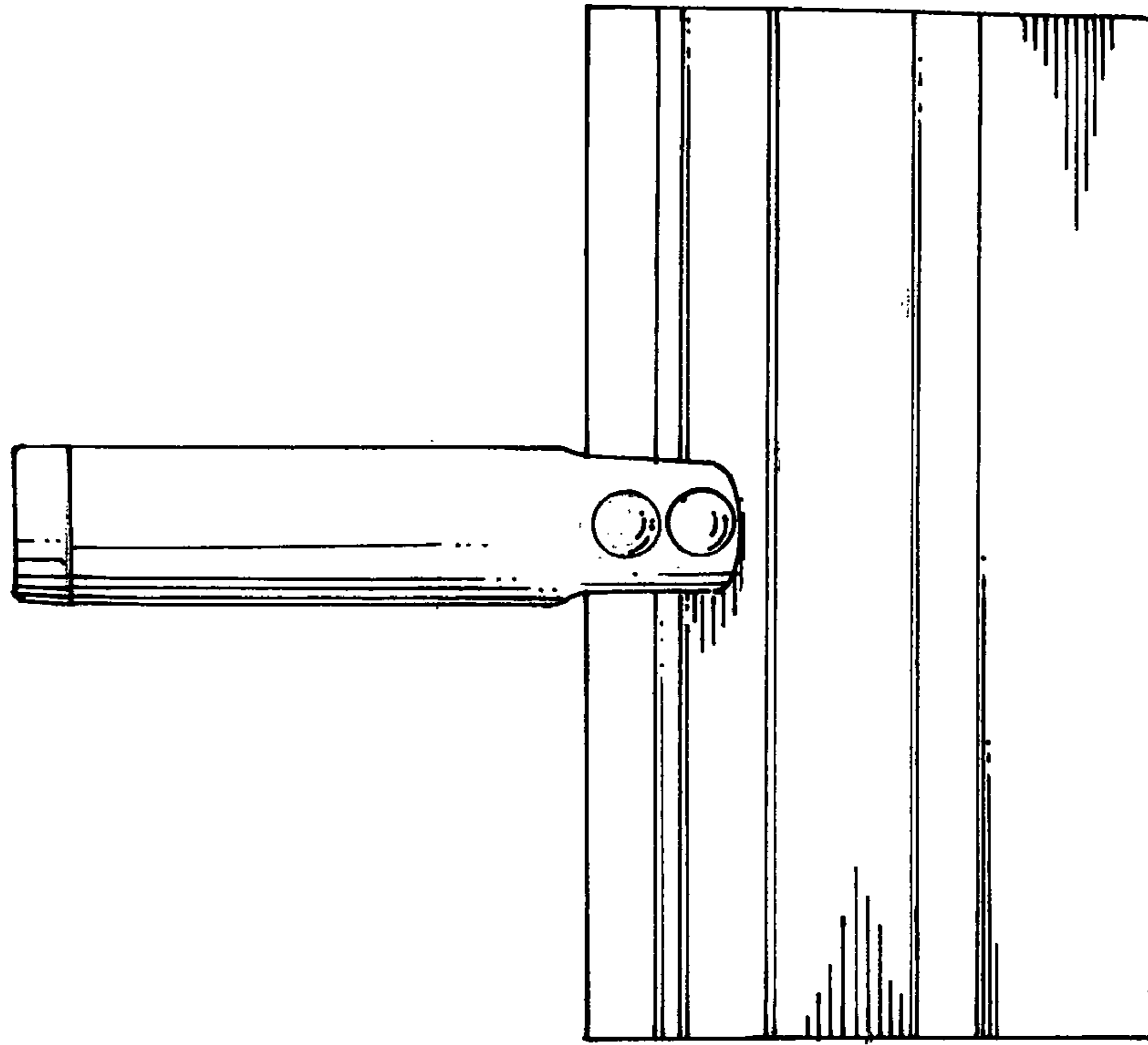


FIG. 2

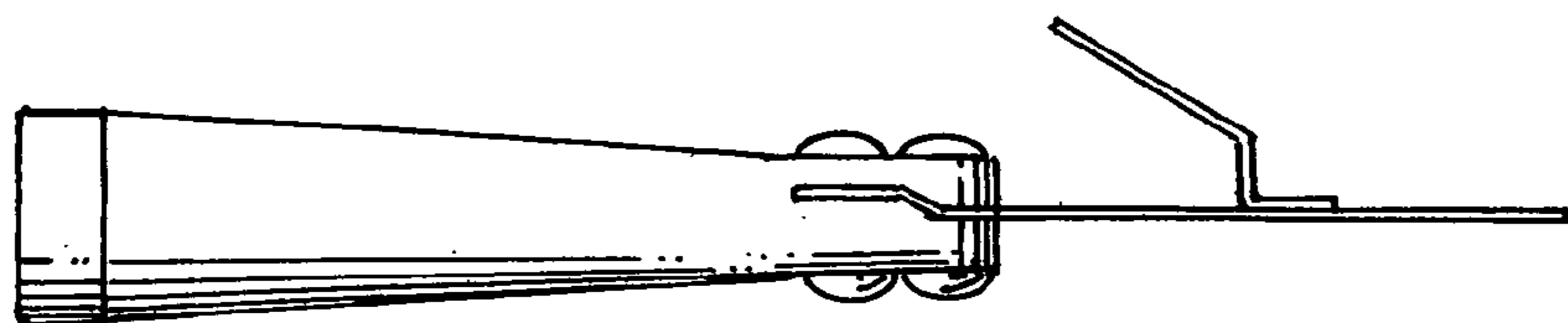


FIG. 3

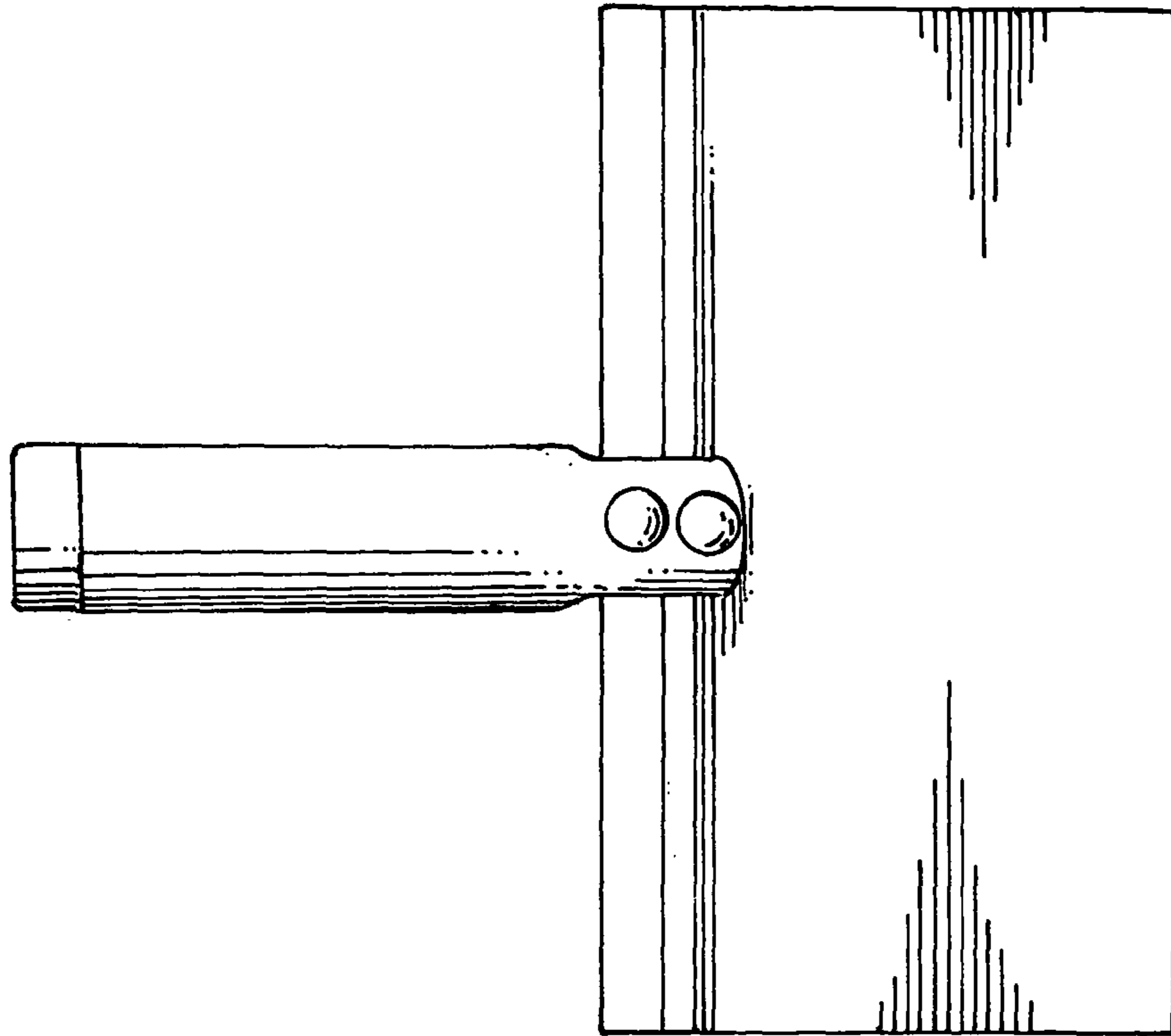


FIG. 4

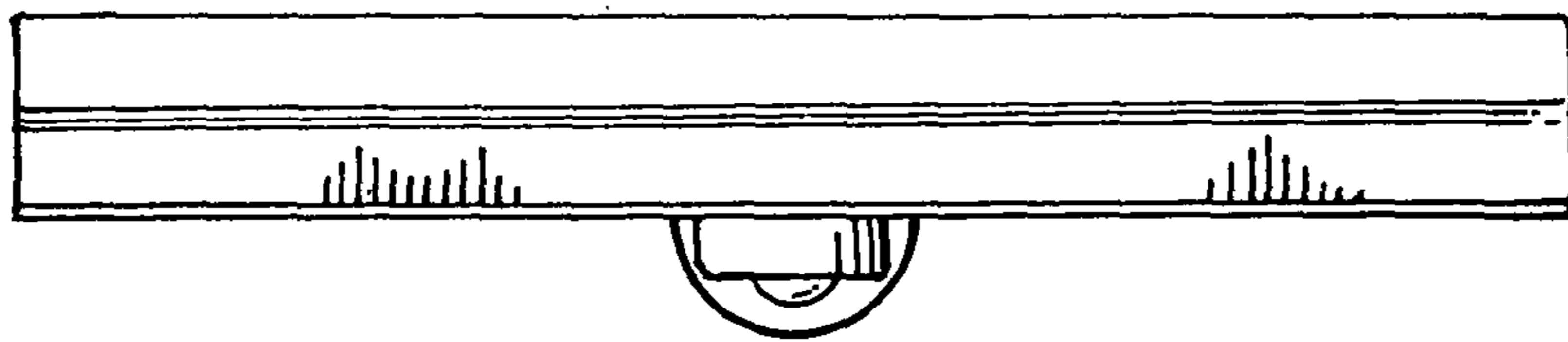


FIG. 5

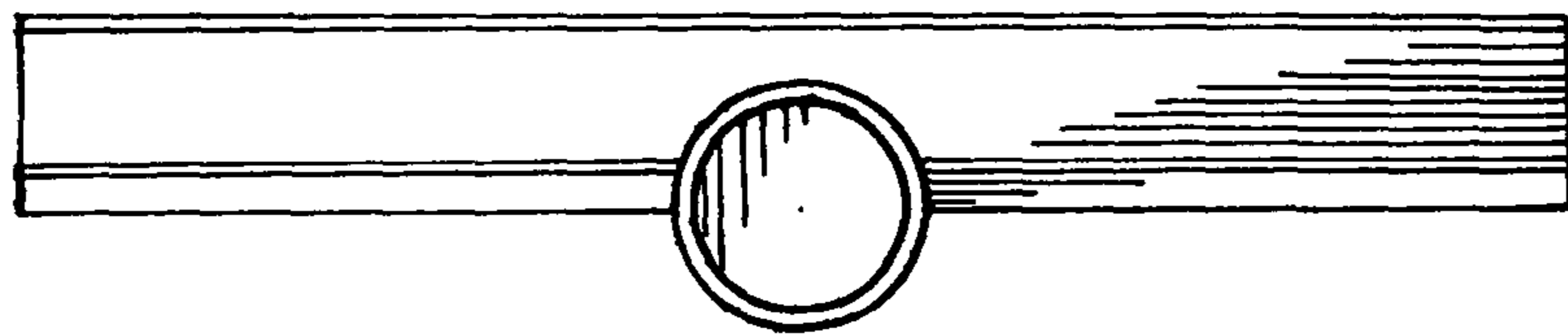


FIG. 6