



US00D620655S

(12) **United States Design Patent**
Pezzaniti

(10) **Patent No.:** **US D620,655 S**
(45) **Date of Patent:** **** Jul. 27, 2010**

(54) **VACUUM CLEANER APPARATUS**
(75) **Inventor:** **Mario Pezzaniti**, Belmont (AU)
(73) **Assignee:** **Pacvac Pty Ltd**, Belmont (AU)
(**) **Term:** **14 Years**

(21) **Appl. No.:** **29/344,778**

(22) **Filed:** **Oct. 5, 2009**

(30) **Foreign Application Priority Data**

Jul. 3, 2009 (AU) 12394/2009

(51) **LOC (9) Cl.** **15-05**
(52) **U.S. Cl.** **D32/21**
(58) **Field of Classification Search** D32/17,
D32/18, 21-24, 31; 15/327, 1, 327.2, 327.4-327.7,
15/344, 353, 320-321, 412, 328-330
See application file for complete search history.

(56) **References Cited**

U.S. PATENT DOCUMENTS

D312,517 S *	11/1990	Hohrein et al.	D32/23
D315,234 S *	3/1991	Frisell	D32/21
5,588,177 A *	12/1996	Eriksen	15/327.5
D398,426 S *	9/1998	Bisson	D32/21
6,073,301 A *	6/2000	Berfield	15/327.5
D446,365 S *	8/2001	Bisson	D32/21
D455,531 S *	4/2002	Cartellone	D32/23
D459,039 S *	6/2002	Bisson	D32/21
D521,695 S *	5/2006	Jacobs et al.	D32/21
D537,583 S *	2/2007	Crevling et al.	D32/21
D572,420 S *	7/2008	Genoa et al.	D32/21

D581,113 S *	11/2008	Hoshino et al.	D32/21
7,509,706 B2 *	3/2009	Clarke	15/327.5
D599,063 S *	8/2009	Catron	D32/21
D601,314 S *	9/2009	Catron	D32/21
2003/0070250 A1 *	4/2003	Roy et al.	15/327.5
2006/0005346 A1 *	1/2006	Rupp et al.	15/327.5
2007/0044270 A1 *	3/2007	Crevling et al.	15/327.5
2007/0209140 A1 *	9/2007	Clarke	15/327.5

* cited by examiner

Primary Examiner—Ruth McInroy

(74) *Attorney, Agent, or Firm*—Venable LLP; Robert Kinberg; Justine A. Gozzi

(57) **CLAIM**

The ornamental design for a vacuum cleaner apparatus, as shown and described.

DESCRIPTION

FIG. 1 is a top perspective view of a vacuum cleaner apparatus showing my new design;

FIG. 2 is a bottom perspective view thereof;

FIG. 3 is a left side view thereof;

FIG. 4 is a right side view thereof;

FIG. 5 is a front view thereof;

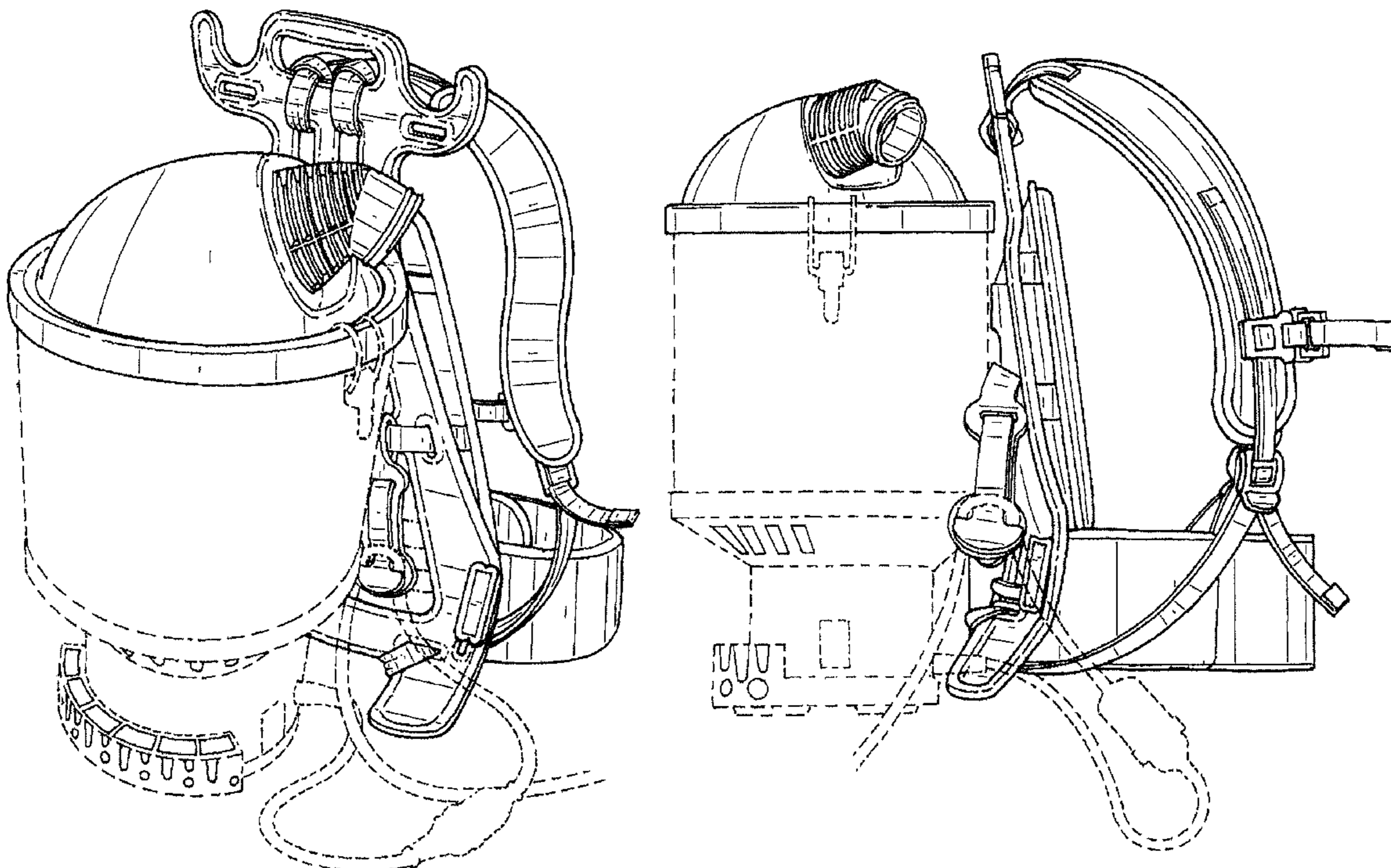
FIG. 6 is a rear view thereof;

FIG. 7 is a top plan view thereof; and,

FIG. 8 is a bottom plan view thereof.

The broken lines showing environmental structure form no part of the claimed design.

1 Claim, 8 Drawing Sheets



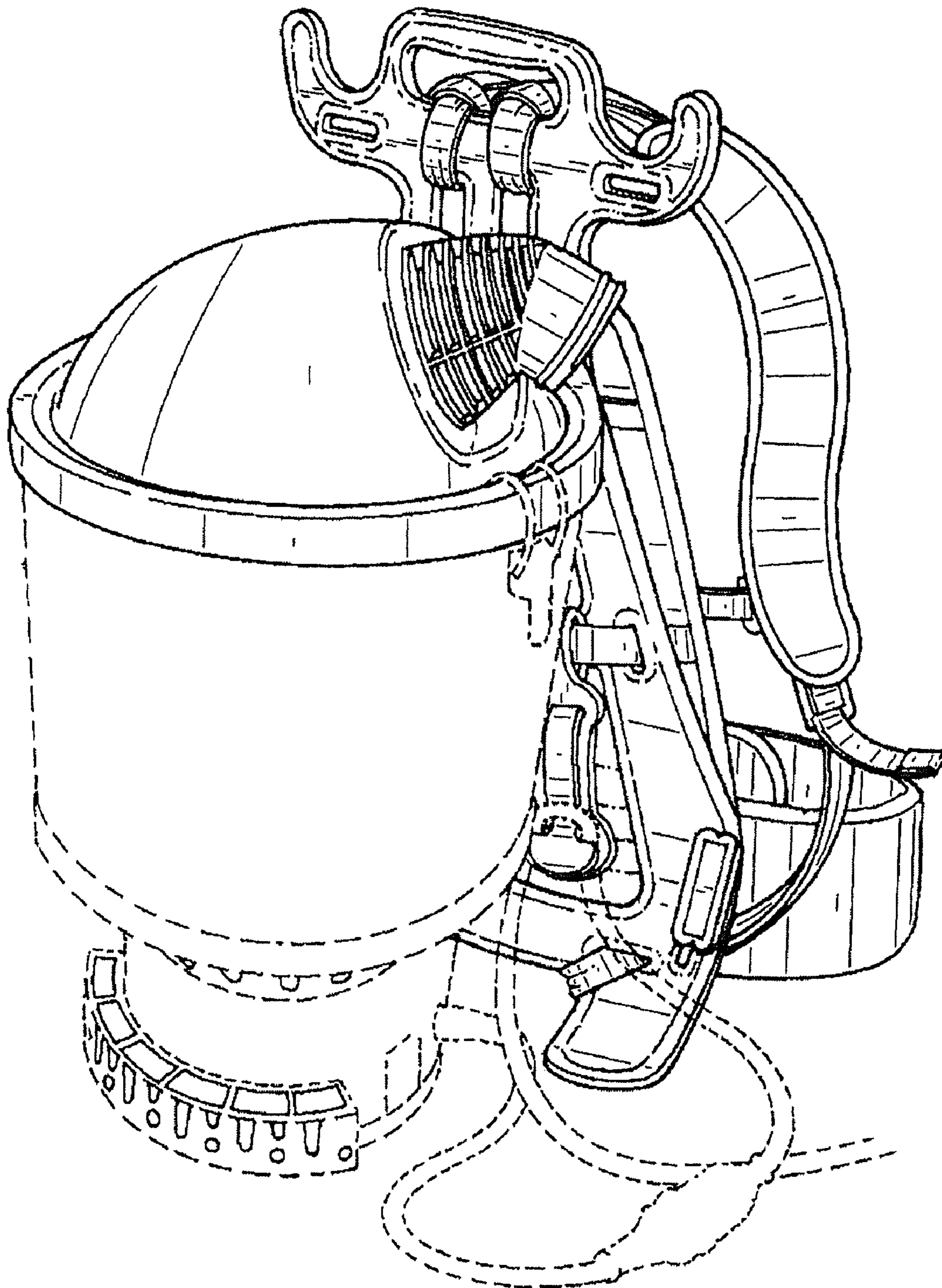


FIG. 1

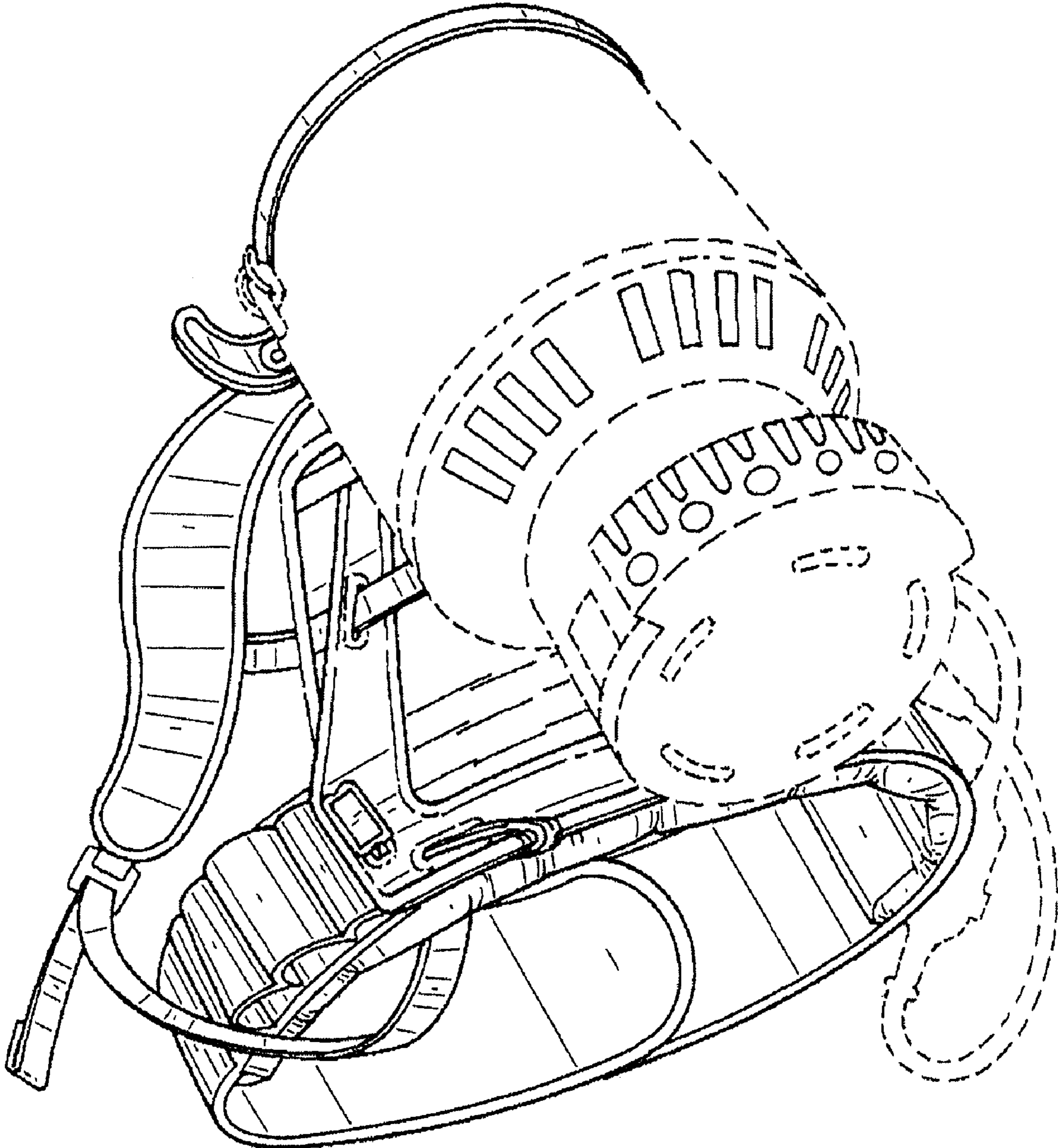


FIG. 2

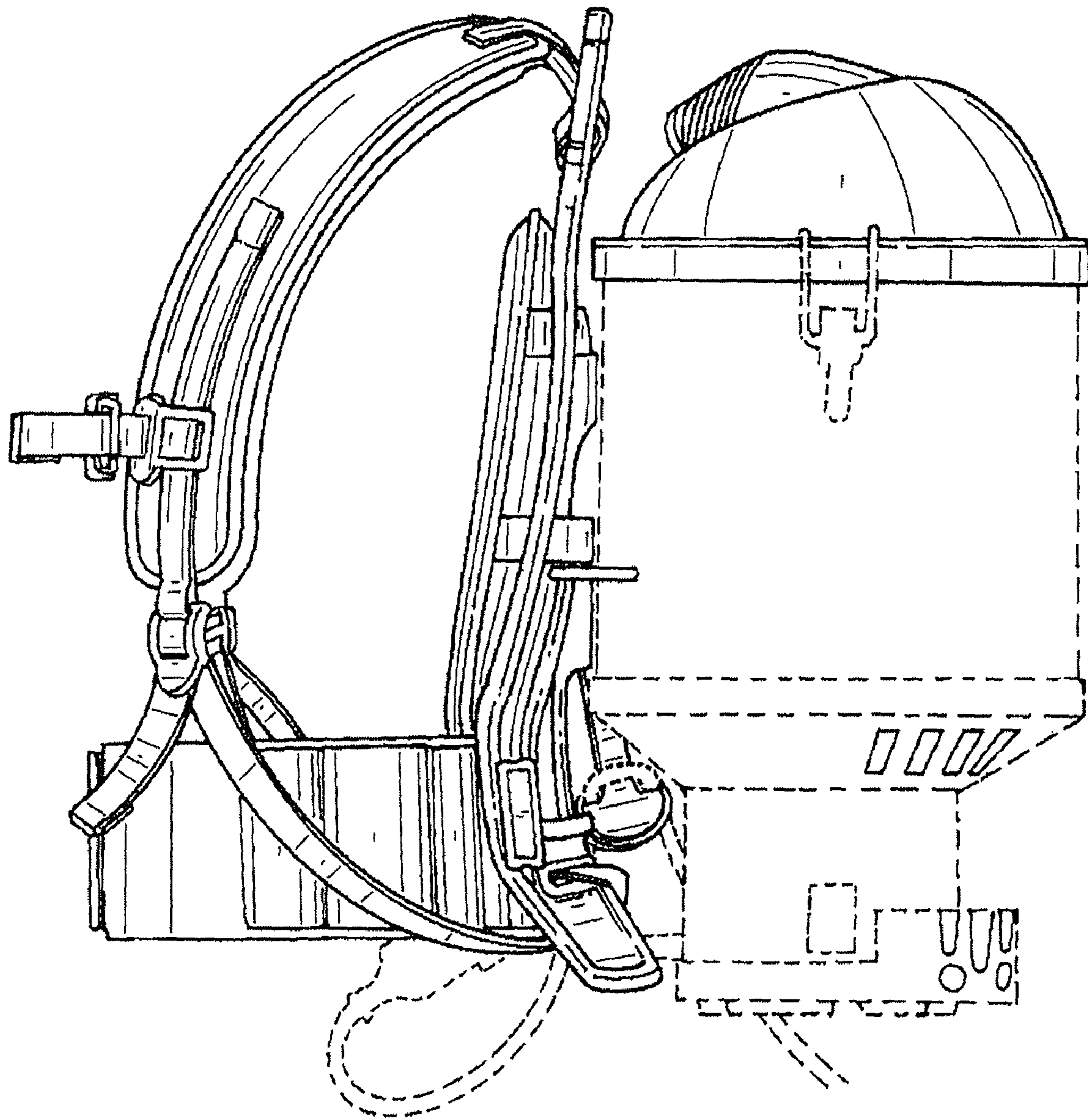


FIG. 3

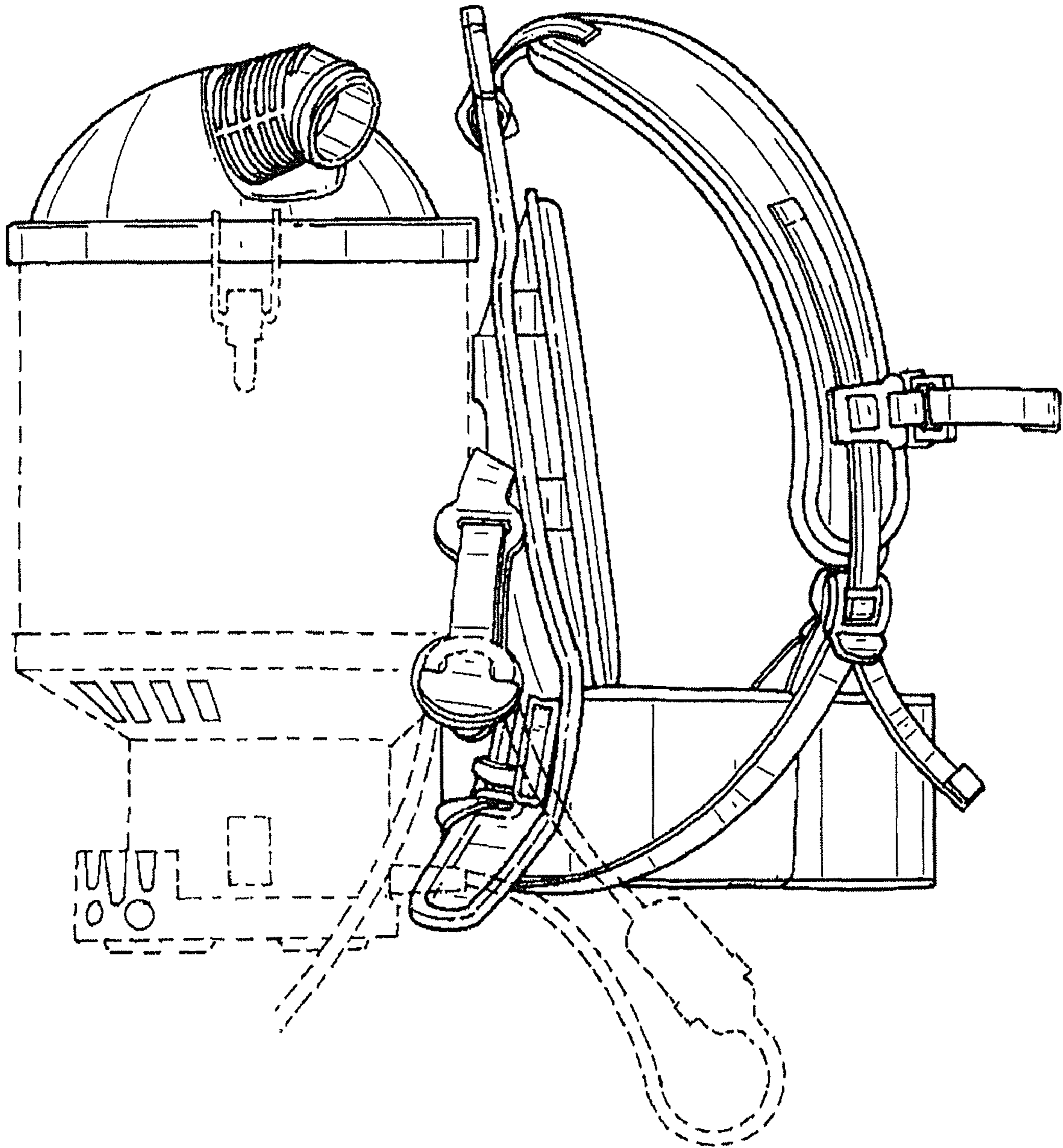


FIG. 4

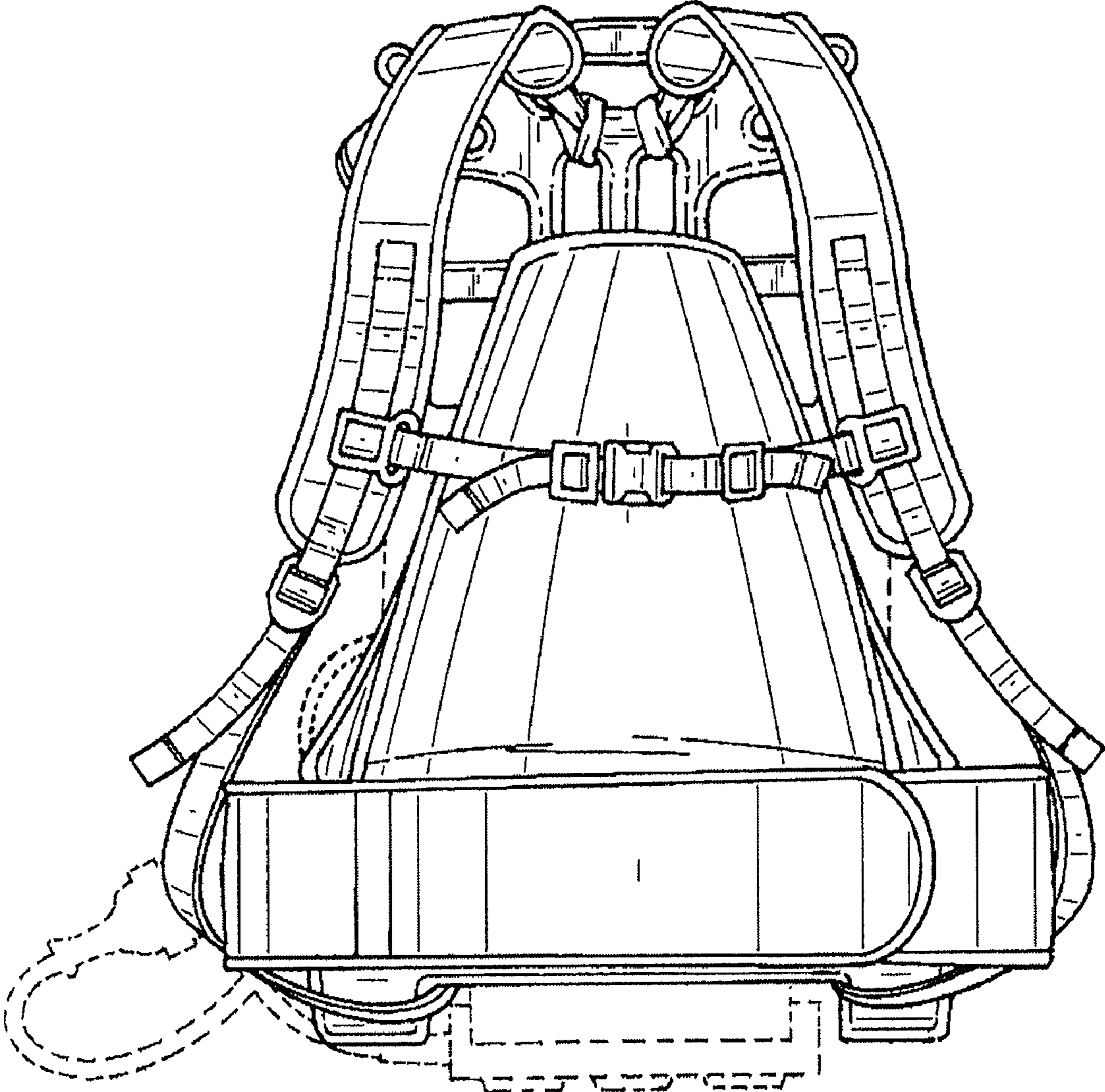


FIG. 5

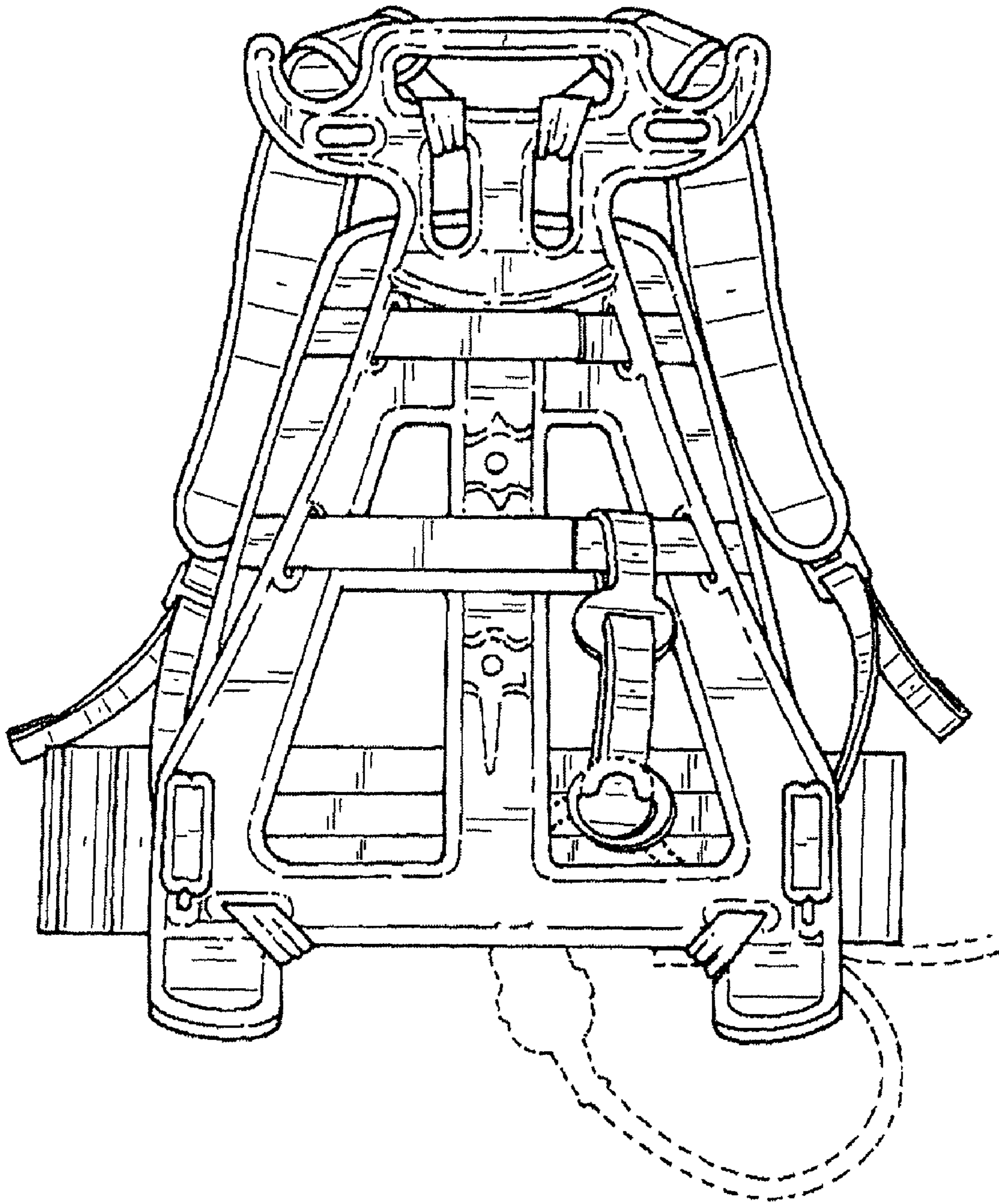


FIG. 6

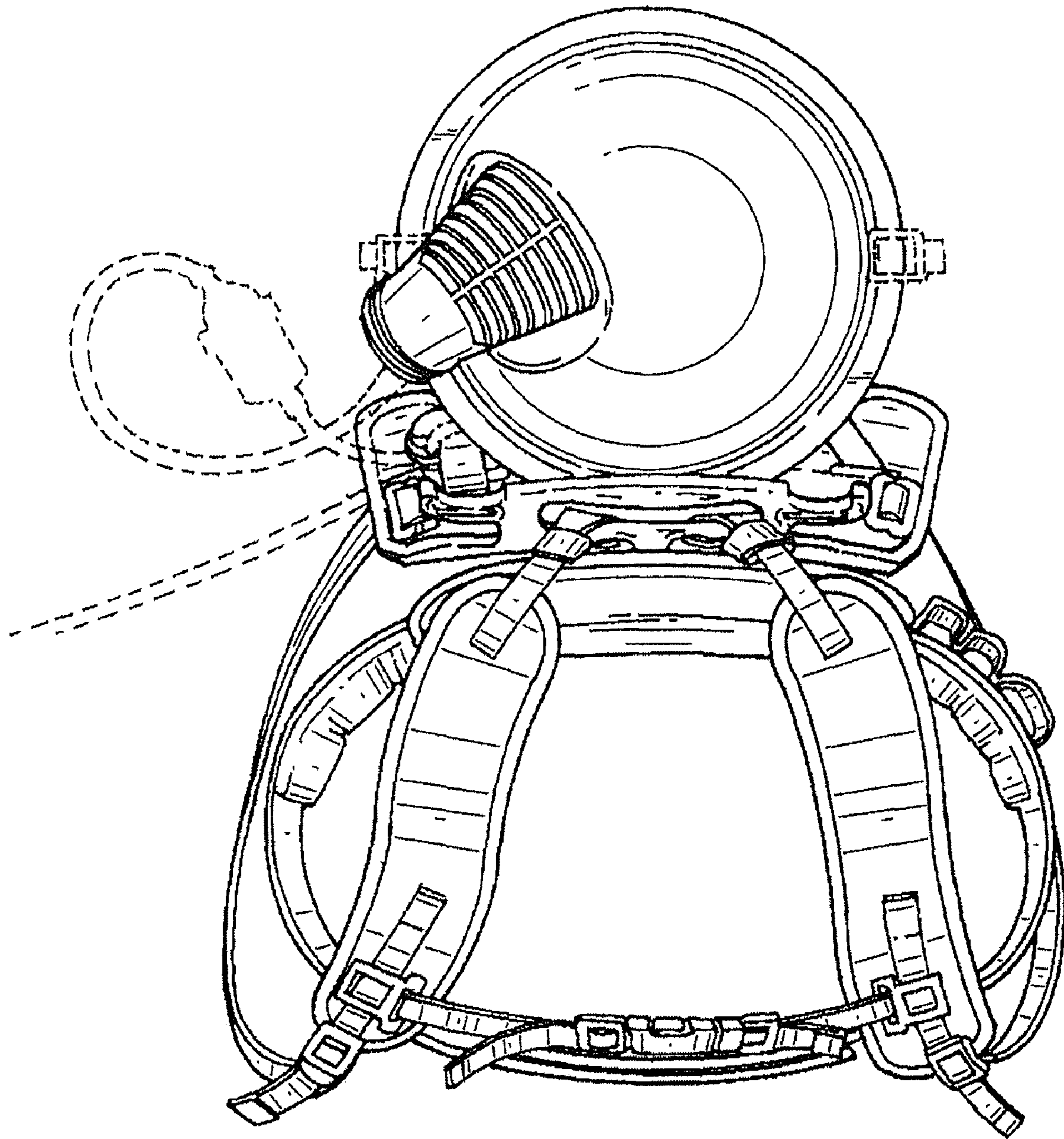


FIG. 7

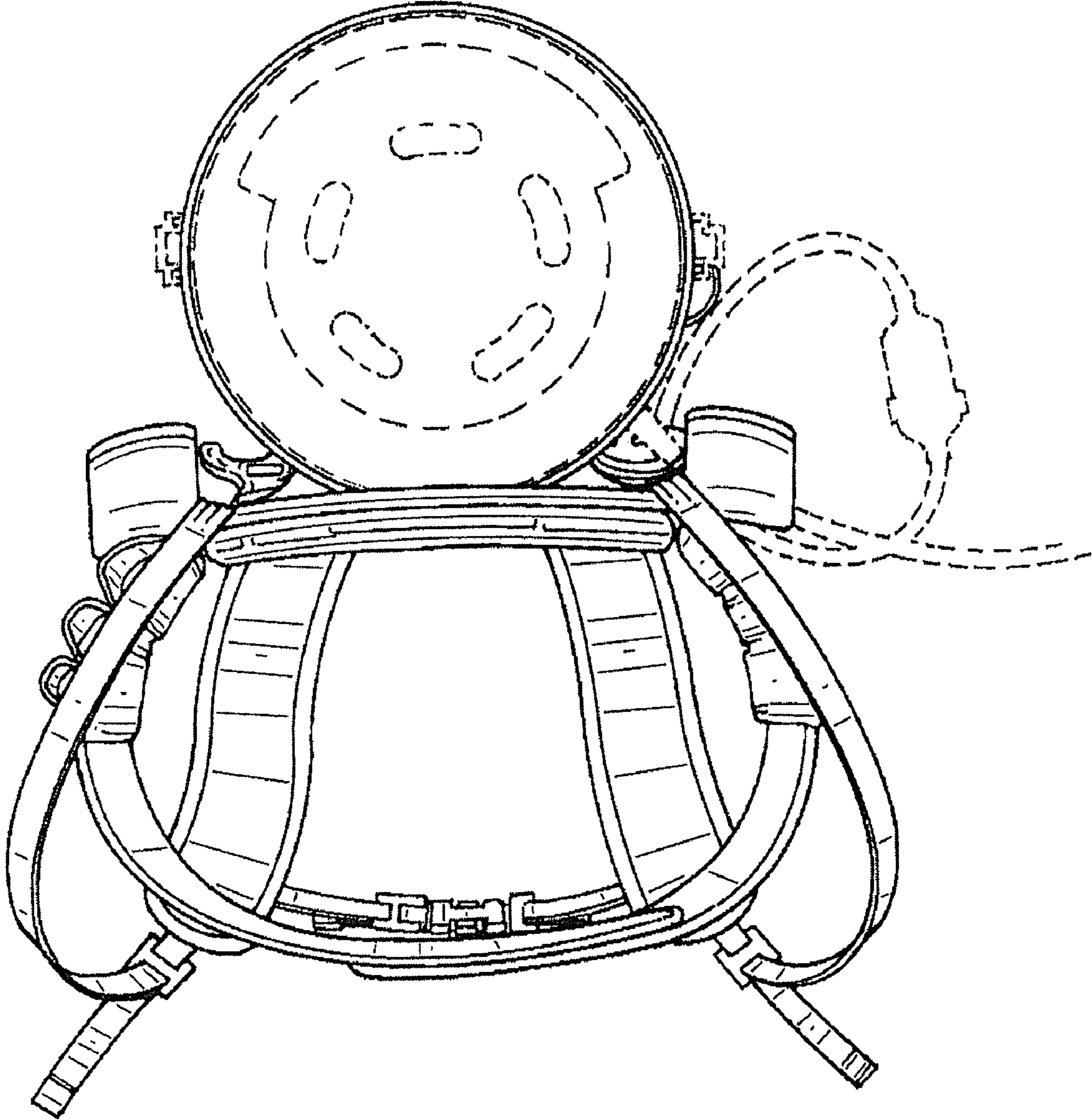


FIG. 8