



US00D620649S

(12) **United States Design Patent**
Eng et al.

(10) **Patent No.:** **US D620,649 S**
(45) **Date of Patent:** **** Jul. 27, 2010**

(54) **UTENSIL BASKET**

(75) Inventors: **Lindsay Eng**, New Bern, NC (US);
James Jenkins, Cary, NC (US)

(73) Assignee: **BSH Home Appliances Corporation**,
Huntington Beach, CA (US)

(**) Term: **14 Years**

(21) Appl. No.: **29/339,395**

(22) Filed: **Jun. 30, 2009**

(51) **LOC (9) Cl.** **15-05**

(52) **U.S. Cl.** **D32/3**

(58) **Field of Classification Search** D32/1-3,
D32/25; 134/93, 200, 57 D, 58 D; 220/488;
68/212; 211/41.8-41.9

See application file for complete search history.

(56) **References Cited**

U.S. PATENT DOCUMENTS

D202,569	S	*	10/1965	Freese	D32/3
D204,076	S	*	3/1966	Maslow	D32/3
3,665,943	A	*	5/1972	Lampman et al.	134/200
4,157,145	A	*	6/1979	Jordan	220/487
D254,187	S	*	2/1980	Freese	D32/3
4,192,432	A	*	3/1980	Jordan	220/676
4,830,200	A	*	5/1989	Zambano et al.	211/133.5
4,834,125	A	*	5/1989	Insalaco	134/201
5,069,360	A	*	12/1991	Dingler et al.	220/501
D331,477	S	*	12/1992	Michael et al.	D32/3
D338,749	S	*	8/1993	McConnell	D32/3
5,287,984	A	*	2/1994	Michael	220/812
5,431,294	A	*	7/1995	Stottmann et al.	220/23.4
D391,696	S	*	3/1998	Bournay et al.	D32/3
5,881,906	A	*	3/1999	Rogers et al.	220/607
6,109,455	A	*	8/2000	Schroeder	211/41.9
6,161,718	A	*	12/2000	Monbo	220/486
D473,985	S	*	4/2003	Moreira Da Silva	D32/32
D487,825	S	*	3/2004	Kim et al.	D32/3

D488,891	S	*	4/2004	Smith et al.	D32/3
D502,295	S	*	2/2005	Feddema	D32/3
D517,253	S	*	3/2006	Raches et al.	D32/3
7,073,682	B2	*	7/2006	Raches et al.	220/488
7,207,341	B2	*	4/2007	Cantave et al.	134/56 D
2006/0237051	A1	*	10/2006	Bengston et al.	134/56 D
2006/0237053	A1	*	10/2006	Bengston et al.	134/58 D

* cited by examiner

Primary Examiner—T. Chase Nelson

Assistant Examiner—Kathleen M Sims

(74) *Attorney, Agent, or Firm*—James E. Howard; Andre Pallapies

(57) **CLAIM**

The ornamental design for a utensil basket, as shown and described.

DESCRIPTION

FIG. 1 is a front perspective view from the top, right side of a first embodiment of a utensil basket showing our new design;

FIG. 2 is a front view thereof;

FIG. 3 is a rear view thereof;

FIG. 4 is an enlarged top view thereof;

FIG. 5 is an enlarged bottom view thereof;

FIG. 6 is a left side view thereof;

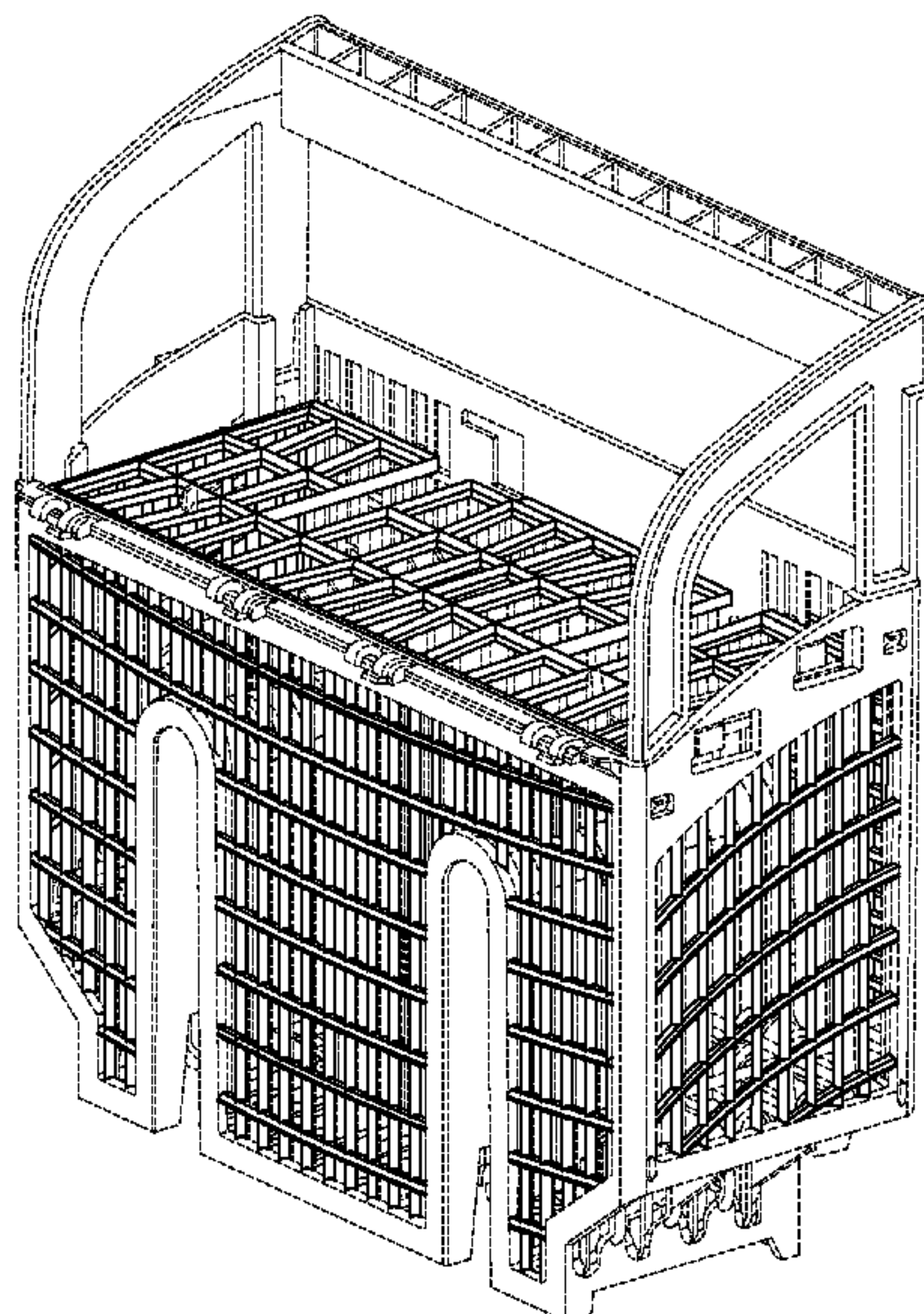
FIG. 7 is a right side view thereof;

FIG. 8 is a front perspective view from the top, right side of a second embodiment of back-to-back utensil baskets showing our new design; and,

FIG. 9 is a front perspective view from the top, right side of a third embodiment of side-by-side utensil baskets showing our new design.

The broken lines represent environment or structure and do not form any part of the claimed design.

1 Claim, 8 Drawing Sheets



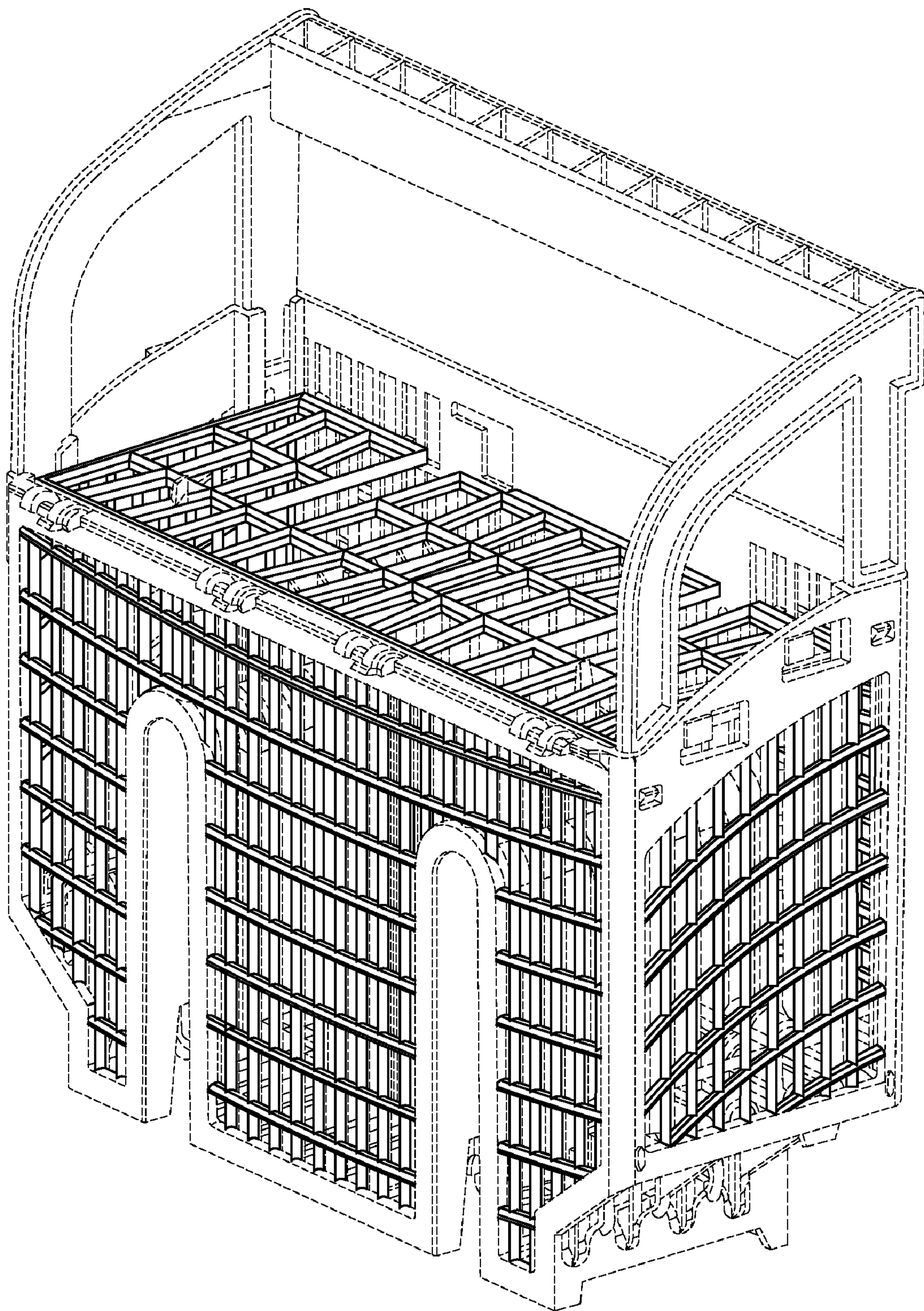


Fig. 1

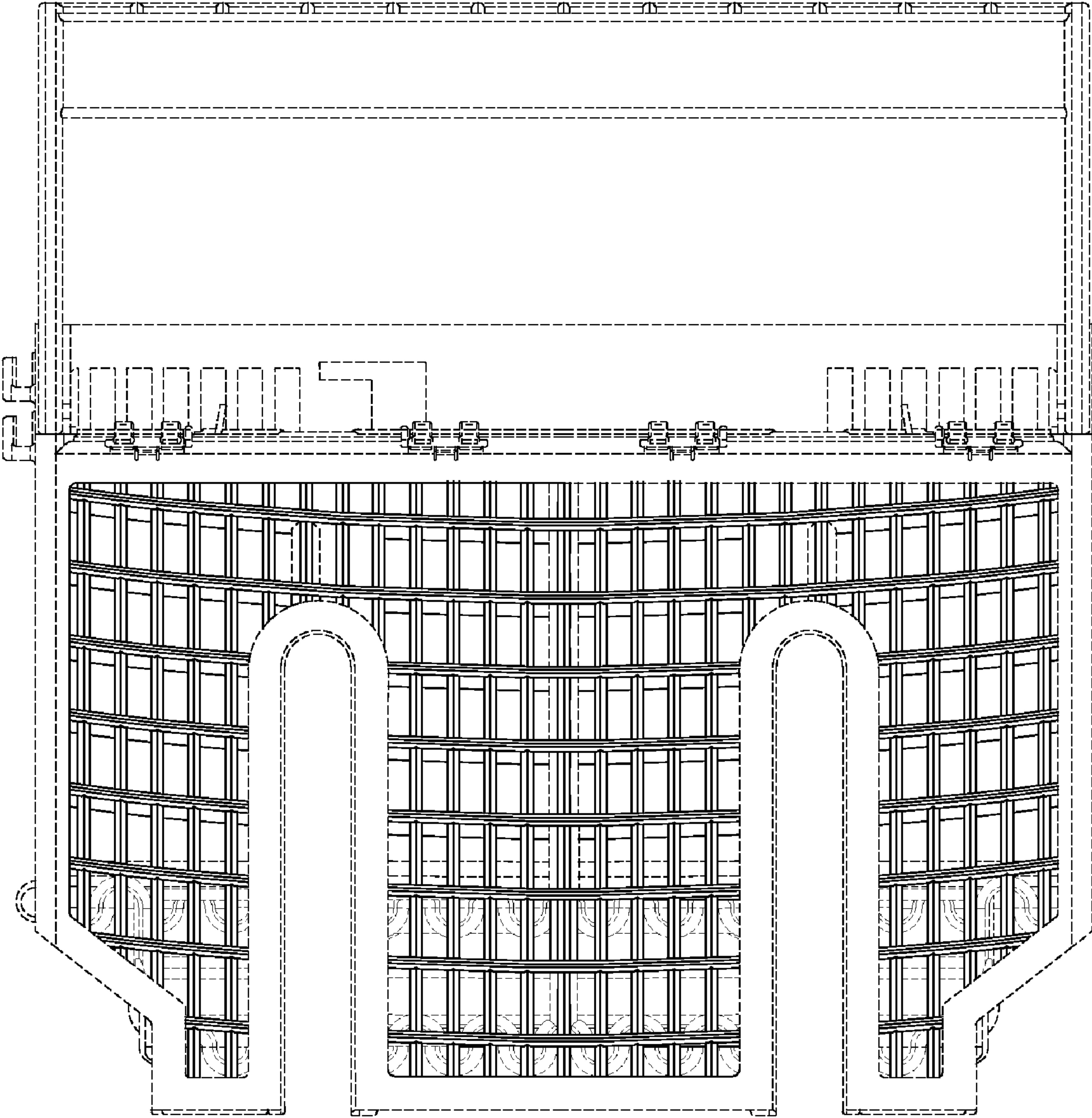


Fig. 2

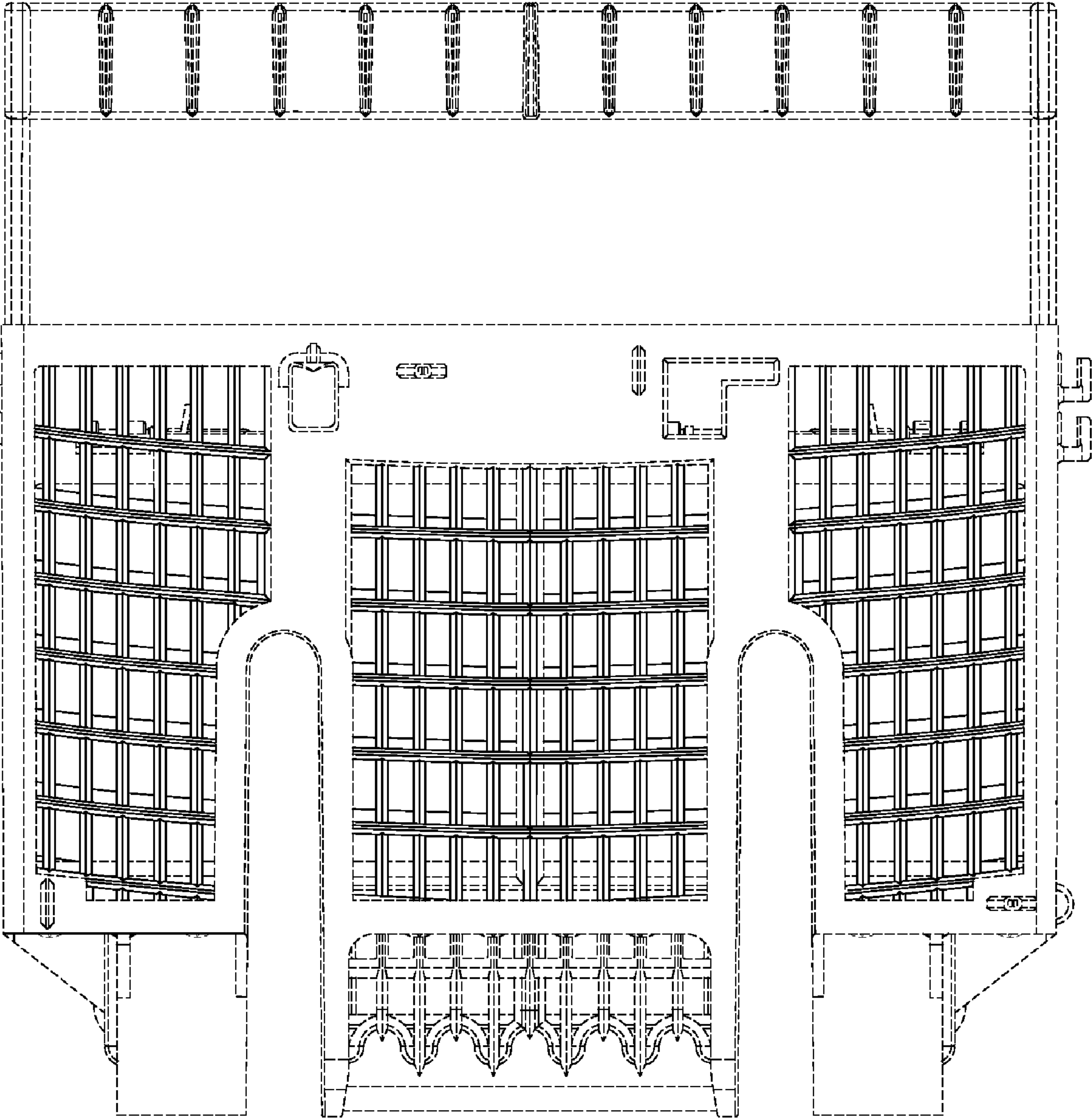


Fig. 3

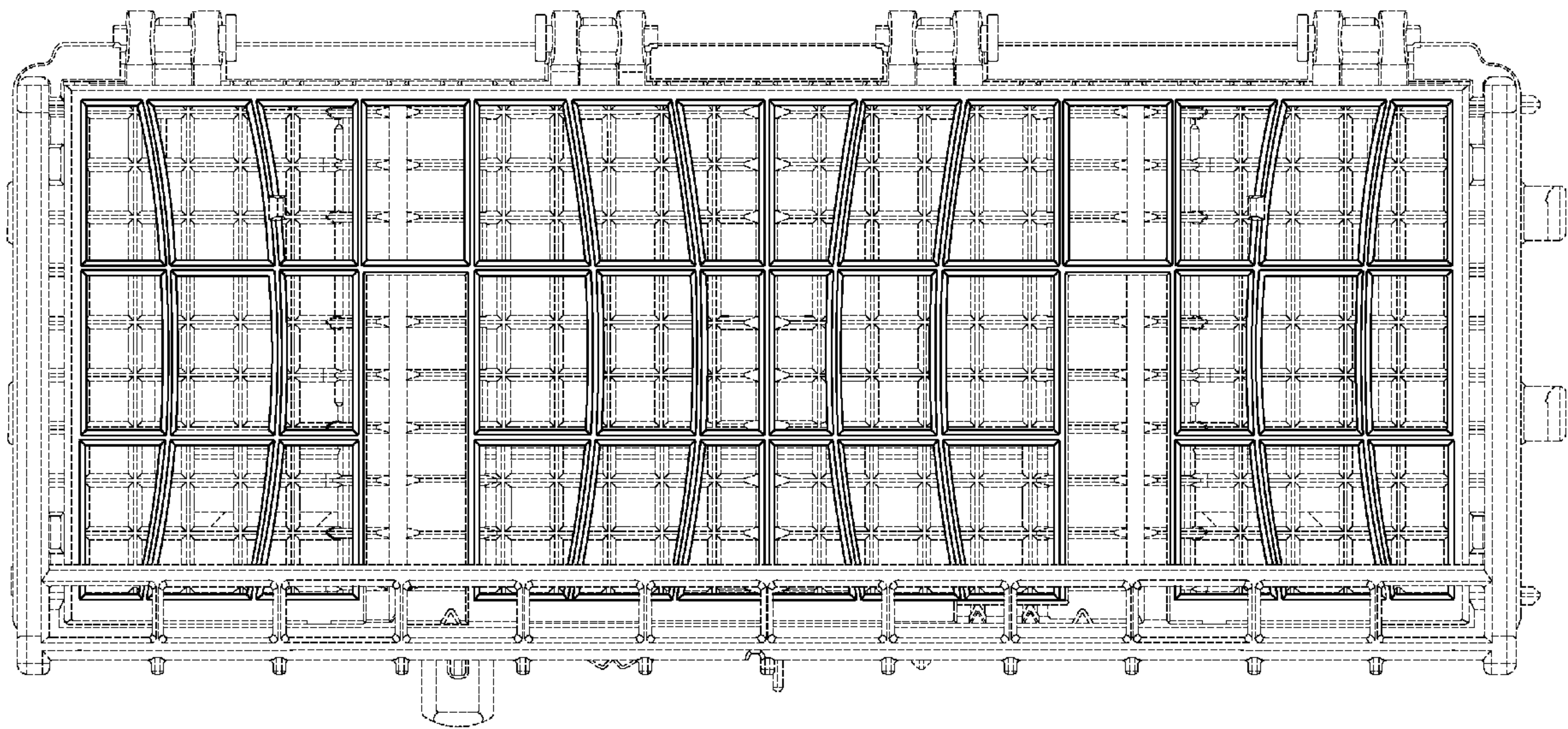


Fig. 4

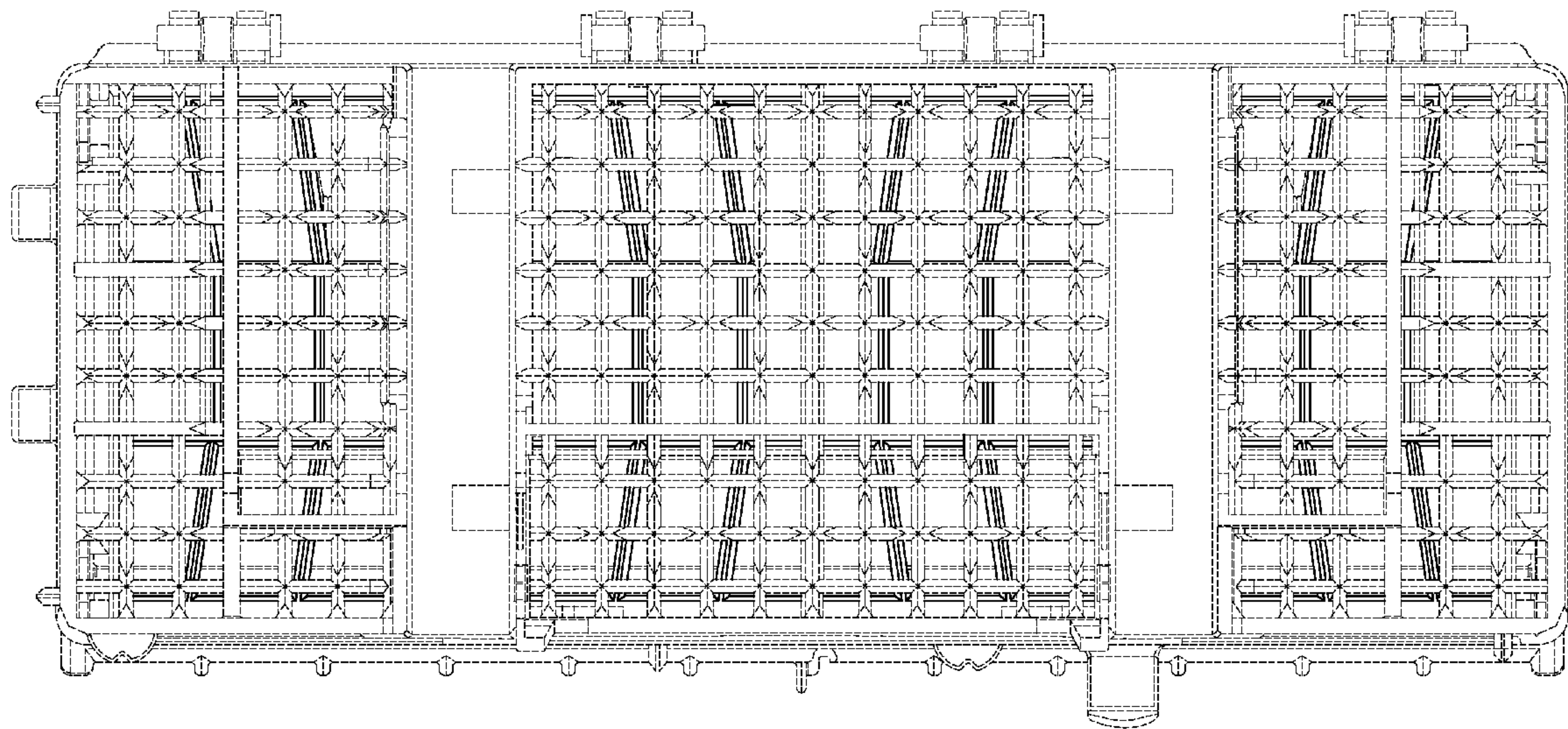


Fig. 5

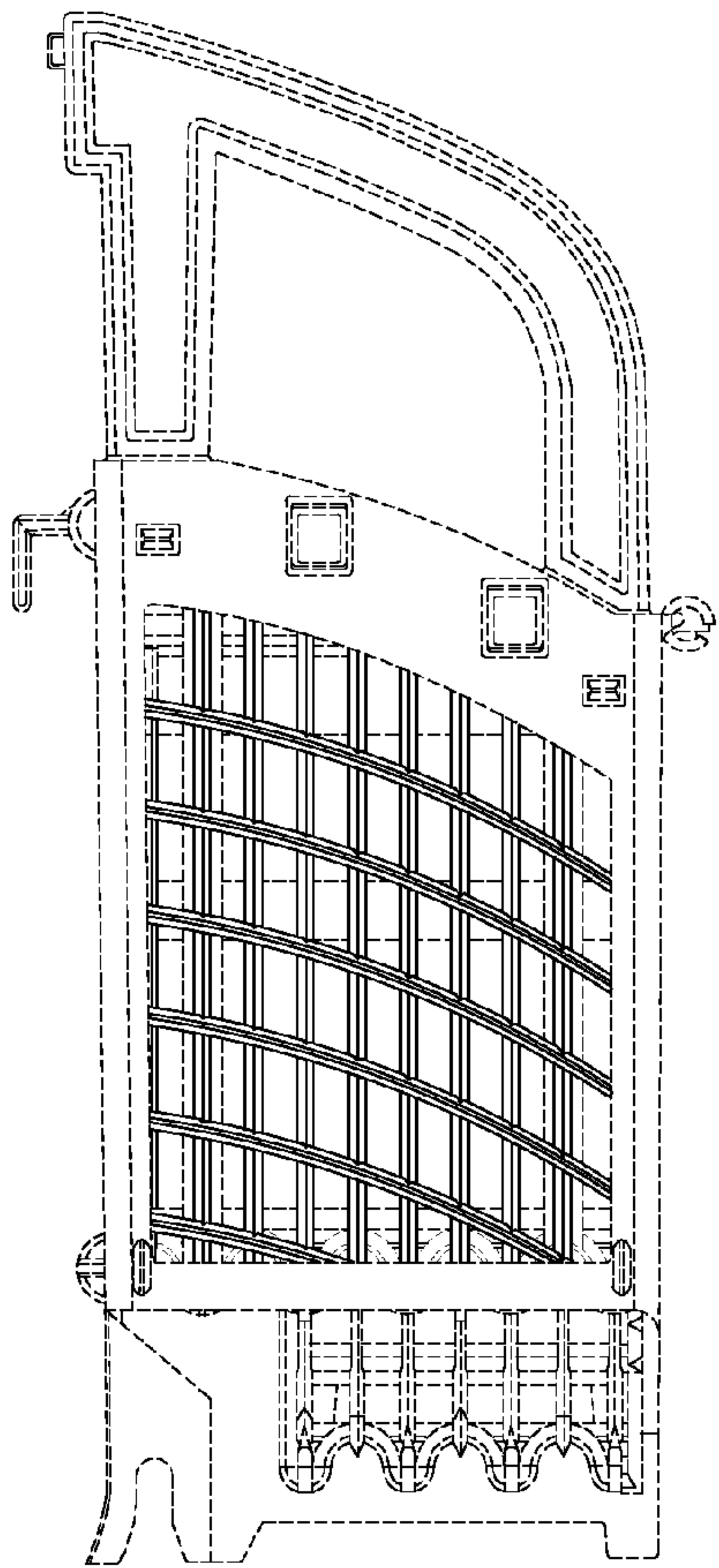


Fig. 6

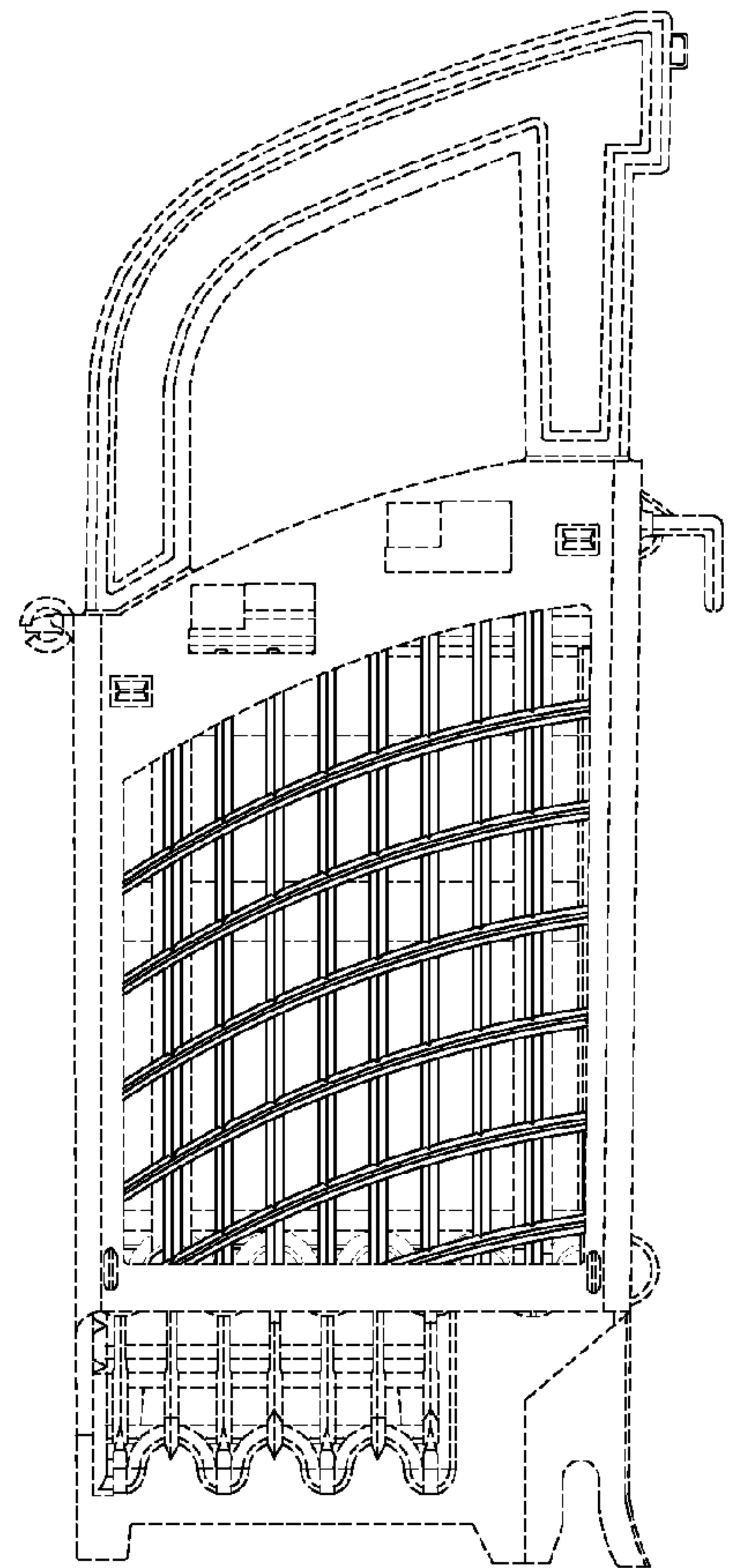


Fig. 7

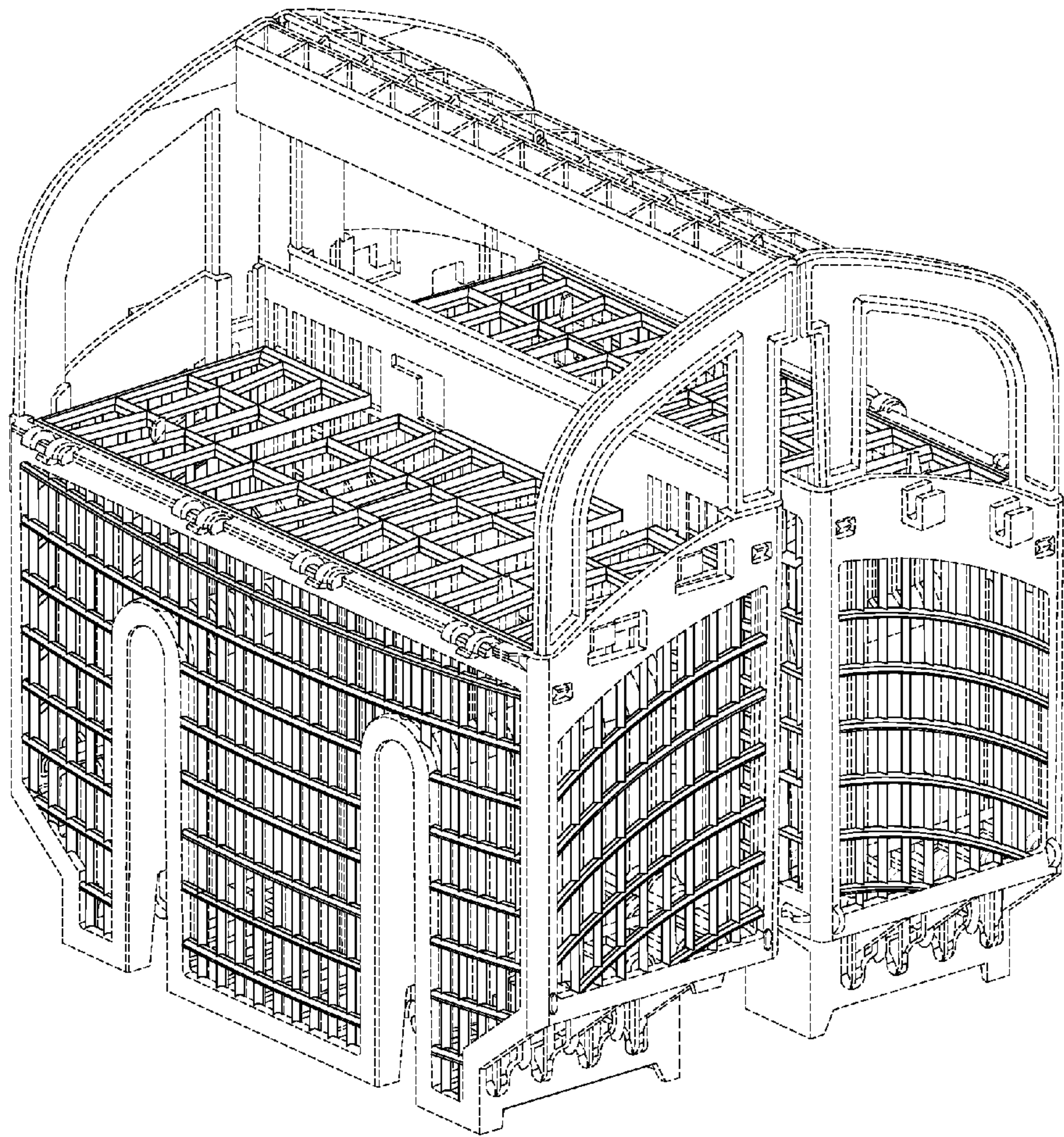


Fig. 8

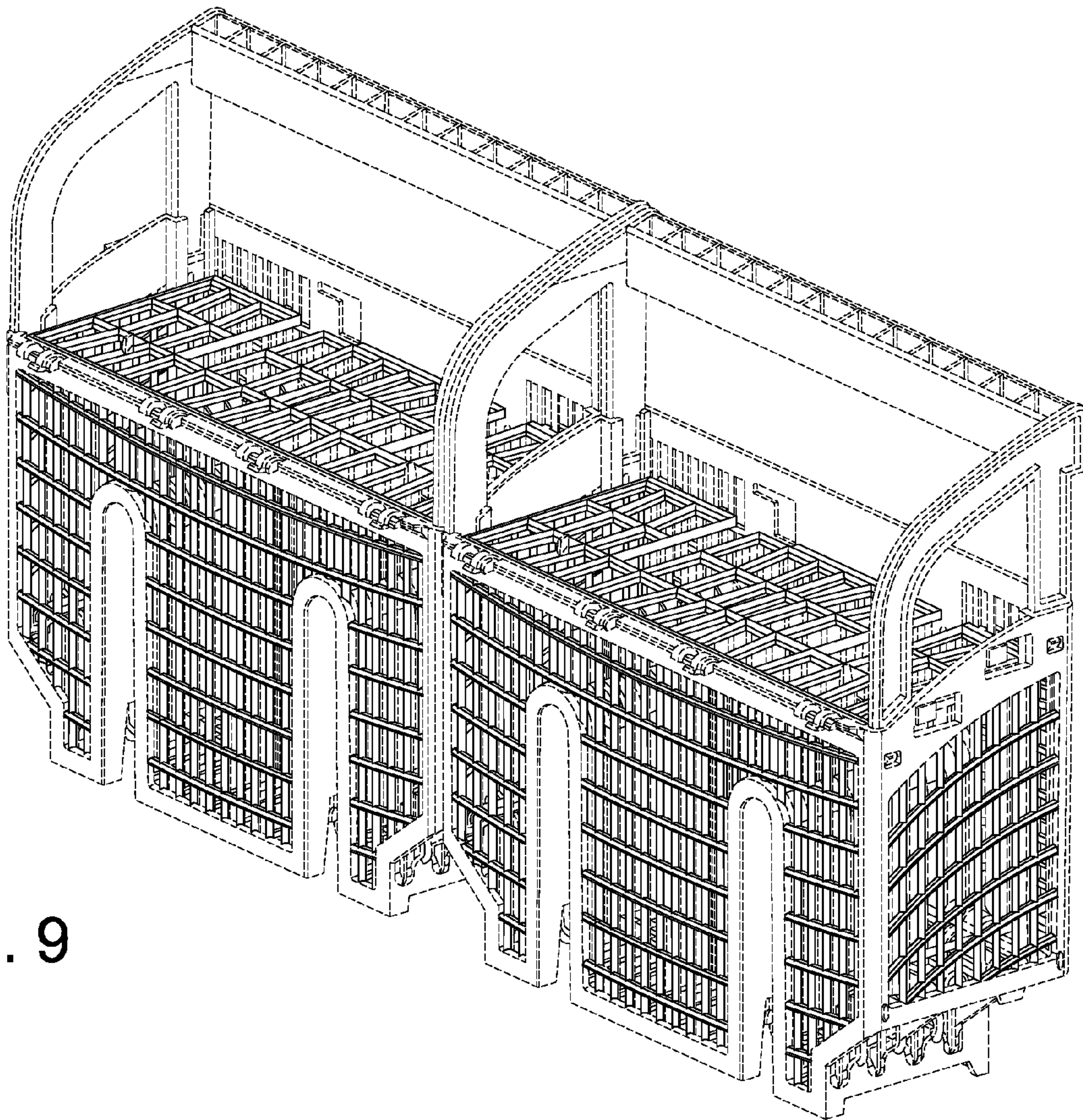


Fig. 9