



US00D620647S

(12) **United States Design Patent**  
**Friedson**

(10) **Patent No.:** **US D620,647 S**

(45) **Date of Patent:** **\*\* Jul. 27, 2010**

(54) **RIDING HELMET HARNESS**

(76) Inventor: **Ronald S. Friedson**, 95 Bayberry La.,  
Westport, CT (US) 06880

(\*\*) Term: **14 Years**

(21) Appl. No.: **29/314,000**

(22) Filed: **Feb. 25, 2009**

(51) **LOC (9) Cl.** ..... **29-02**

(52) **U.S. Cl.** ..... **D29/122**

(58) **Field of Classification Search** ..... D29/102–108,  
D29/112, 122; 2/6.2, 410–415, 421–425,  
2/427–428, 205–206, 172, 209

See application file for complete search history.

(56) **References Cited**

**U.S. PATENT DOCUMENTS**

D299,766	S	2/1989	Friedson	.....	D29/16
5,077,839	A *	1/1992	Keller	.....	2/421
5,685,020	A *	11/1997	Powell et al.	.....	2/421
D407,860	S *	4/1999	Cox et al.	.....	D29/122
5,983,405	A *	11/1999	Casale	.....	2/421
6,854,133	B2 *	2/2005	Lee et al.	.....	2/421
D518,241	S *	3/2006	Finquel	.....	D29/105
D537,573	S *	2/2007	Trainor et al.	.....	D29/122
D550,849	S *	9/2007	Baker	.....	D24/191

D604,461	S *	11/2009	Goldman et al.	.....	D29/122
2007/0089219	A1 *	4/2007	Trainor et al.	.....	2/421
2009/0055999	A1 *	3/2009	Garcia	.....	2/421

\* cited by examiner

*Primary Examiner*—Elizabeth A Albert

*Assistant Examiner*—Kelley A Donnelly

(74) *Attorney, Agent, or Firm*—Fattibene and Fattibene; Paul A. Fattibene

(57) **CLAIM**

The ornamental design for a riding helmet harness, as shown and described.

**DESCRIPTION**

FIG. 1 is a perspective view of a riding helmet harness showing the new design;

FIG. 2 is a right side elevation view thereof;

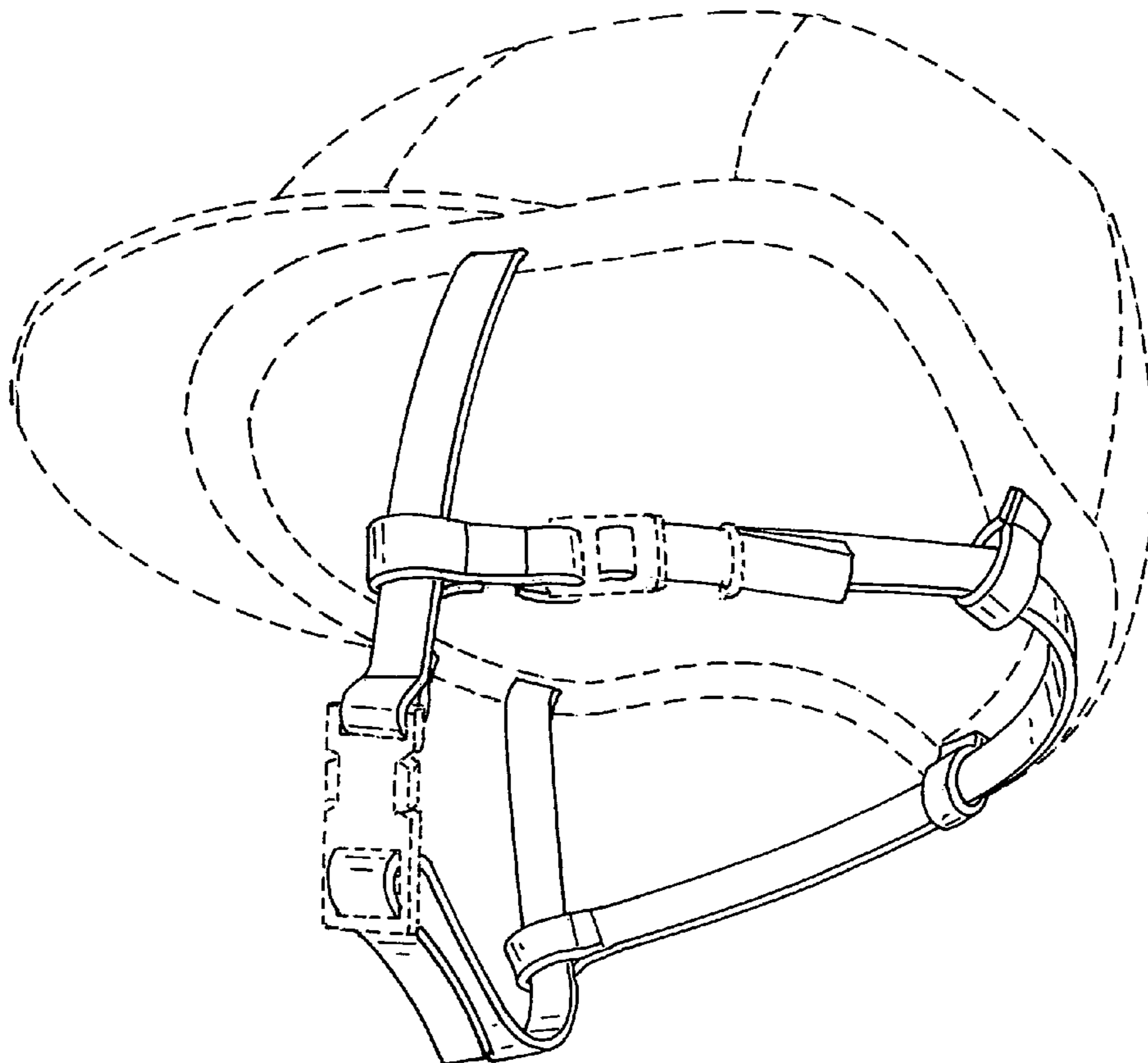
FIG. 3 is a left side elevation view thereof;

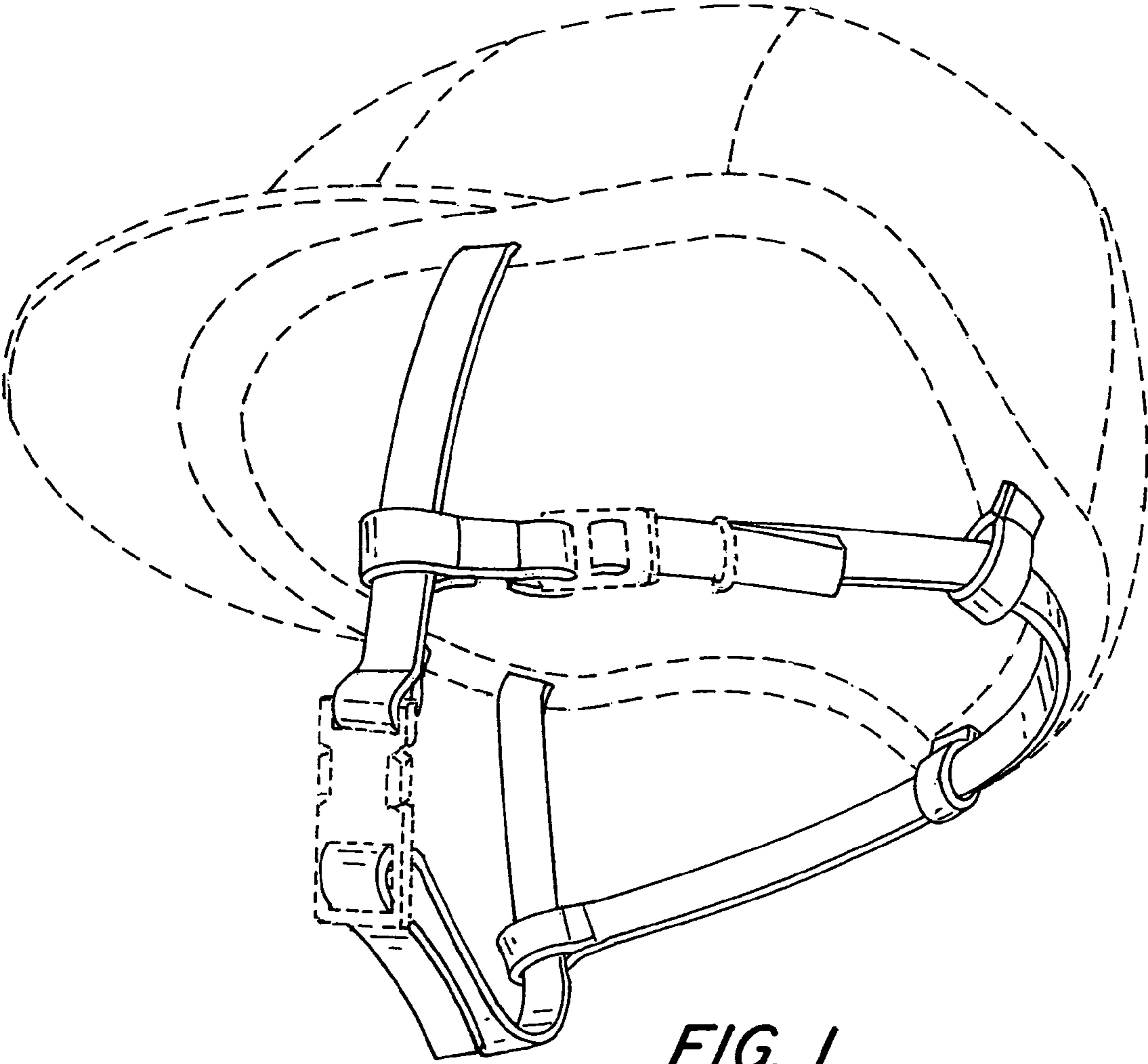
FIG. 4 is a front elevation view thereof; and,

FIG. 5 is a rear elevation view thereof.

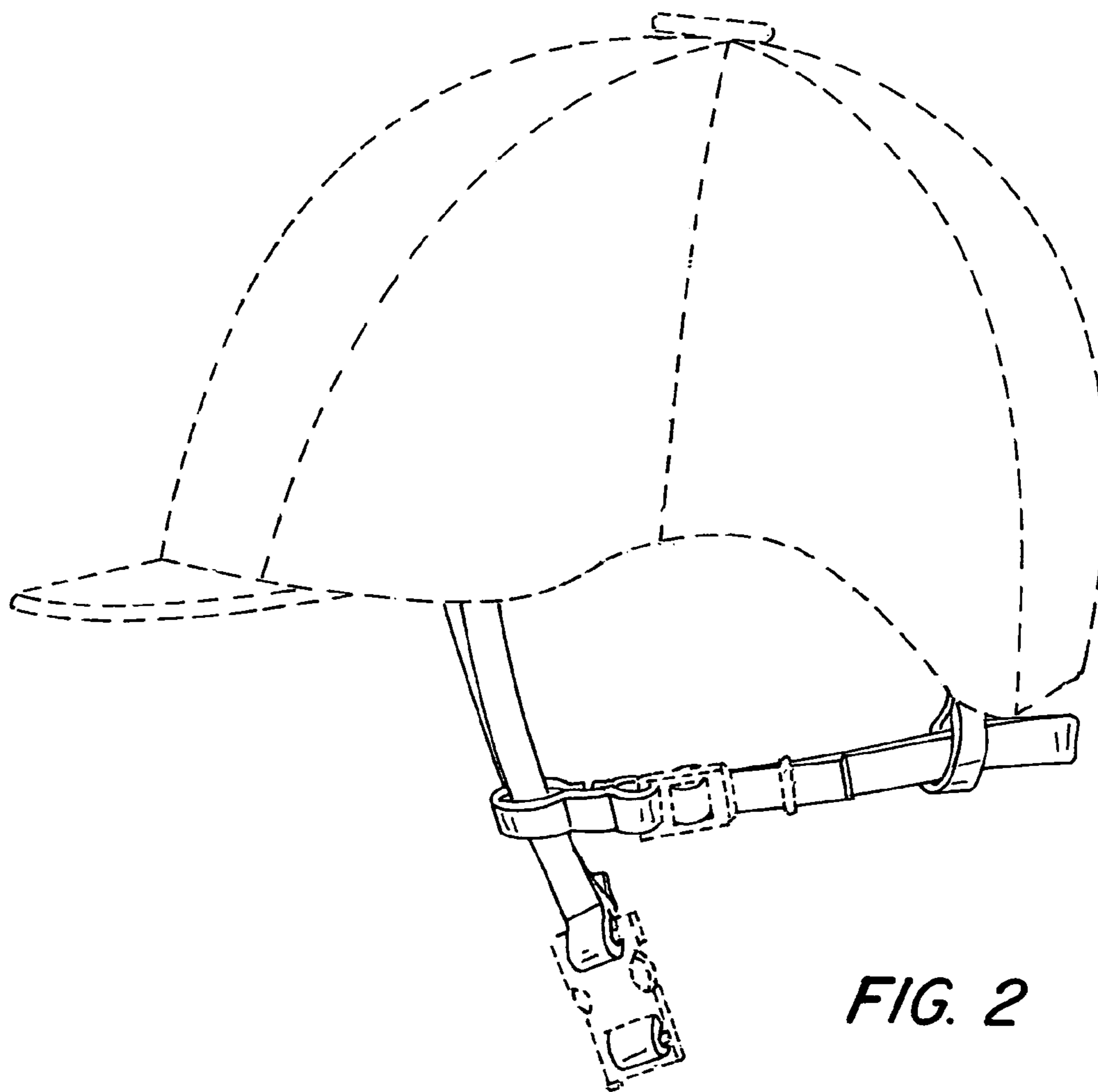
The broken line showing the riding helmet and buckles is for the purpose of illustrating environmental structure and forms no part of the claimed design.

**1 Claim, 5 Drawing Sheets**





*FIG. 1*



*FIG. 2*

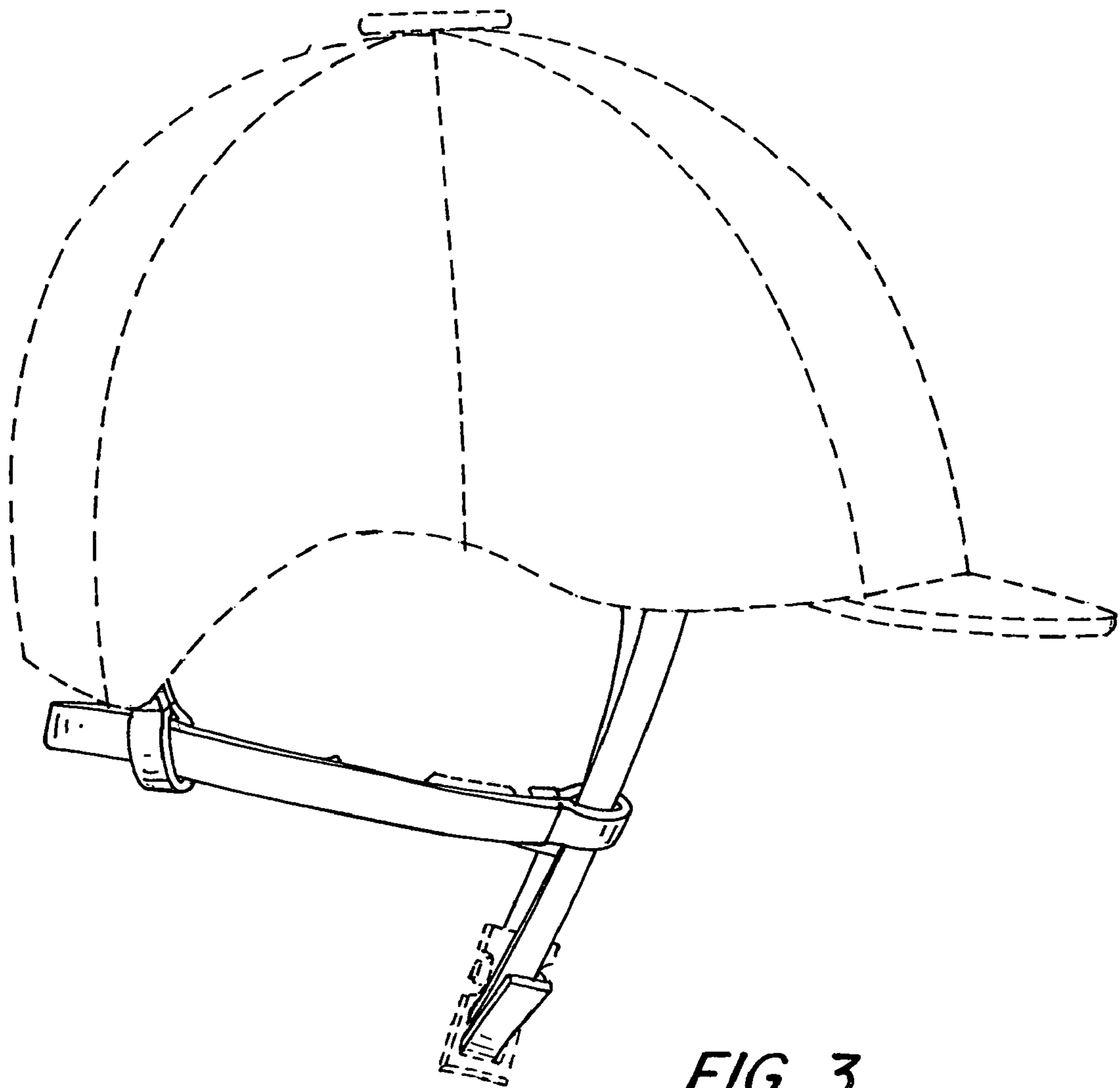
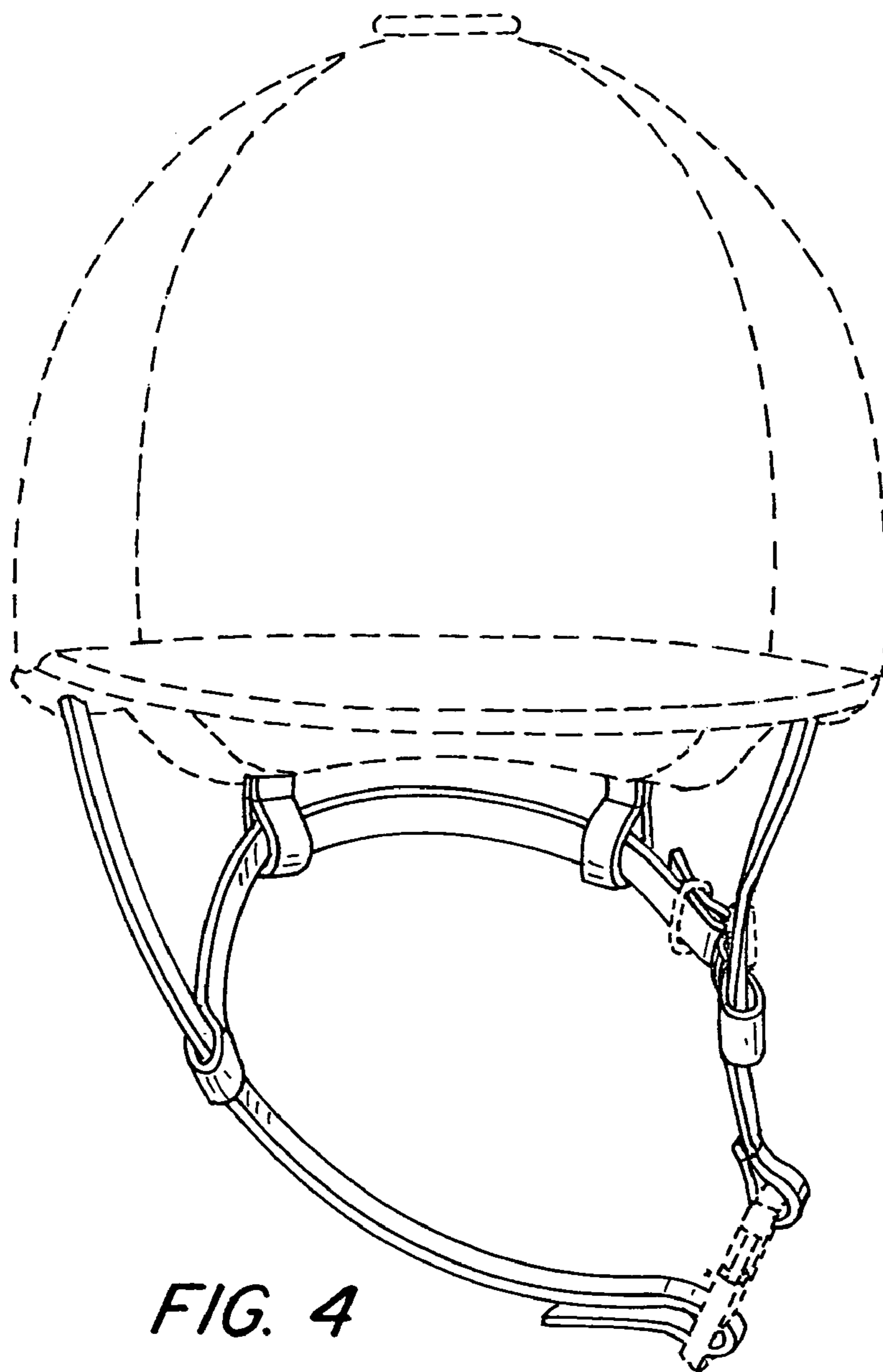
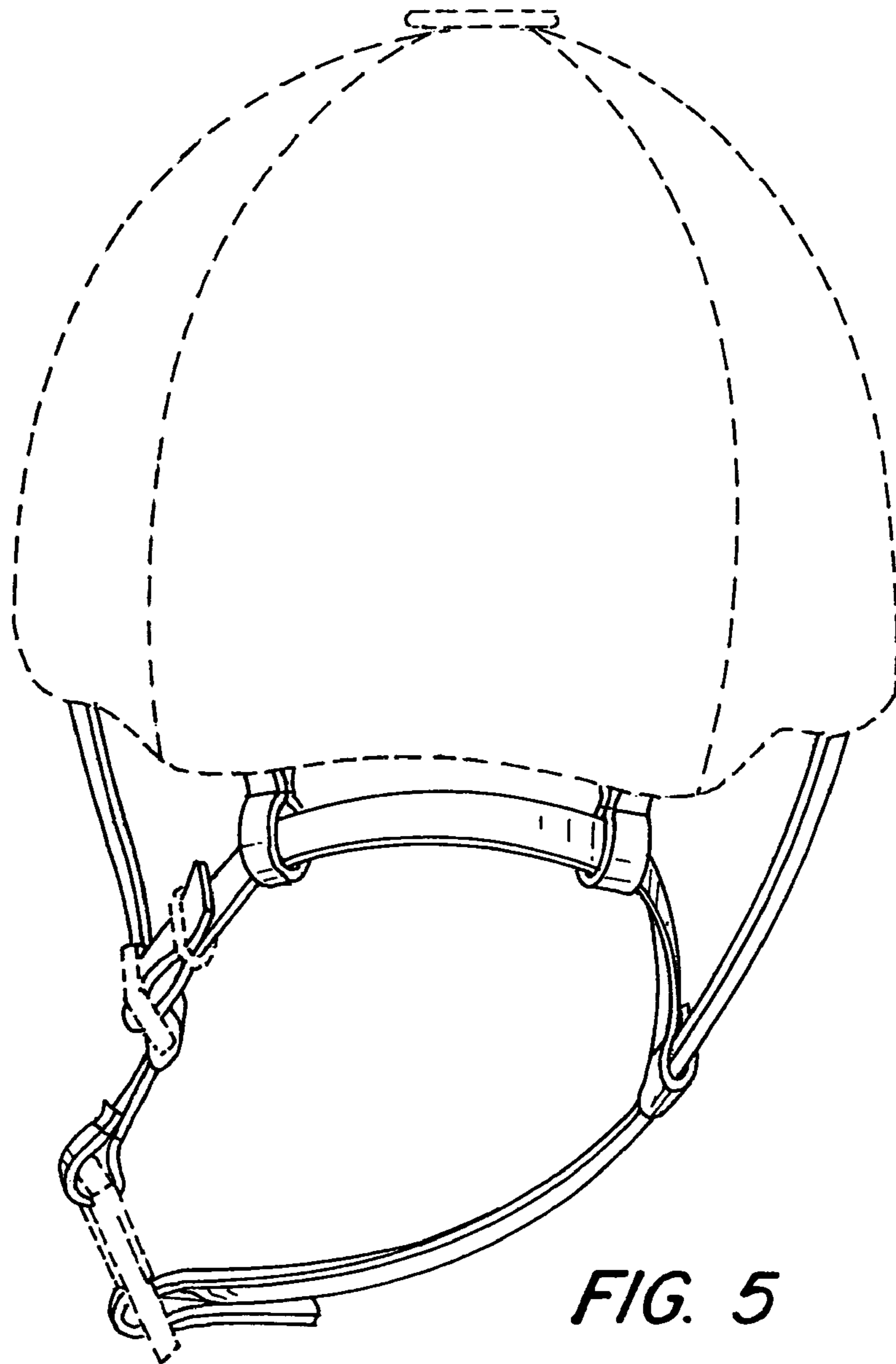


FIG. 3



**FIG. 4**



**FIG. 5**