



US00D620639S

(12) **United States Design Patent**
Choi

(10) **Patent No.:** **US D620,639 S**
(45) **Date of Patent:** **** Jul. 27, 2010**

(54) **HAIR STYLING IRON**

(75) Inventor: **Young Man Choi**, Seoul (KR)

(73) Assignee: **Koexion**, Seoul (KR)

(**) Term: **14 Years**

(21) Appl. No.: **29/350,915**

(22) Filed: **Nov. 25, 2009**

(51) **LOC (9) Cl.** **28-03**

(52) **U.S. Cl.** **D28/35**

(58) **Field of Classification Search** 132/222-225,
132/227-229, 236, 245; 219/222, 225-226;
D28/37-38, 35

See application file for complete search history.

(56) **References Cited**

U.S. PATENT DOCUMENTS

D596,790 S * 7/2009 Rizzuto D28/35
2009/0114240 A1 * 5/2009 Leung 132/224

* cited by examiner

Primary Examiner—Jennifer Rivard
(74) *Attorney, Agent, or Firm*—Michael Best & Friedrich LLP

(57) **CLAIM**

I claim the ornamental design for a hair styling iron, as shown and described.

DESCRIPTION

FIG. 1 is a perspective view a hair styling iron.

FIG. 2 is a top view of the hair styling iron shown in FIG. 1.

FIG. 3 is a bottom view of the hair styling iron shown in FIG. 1.

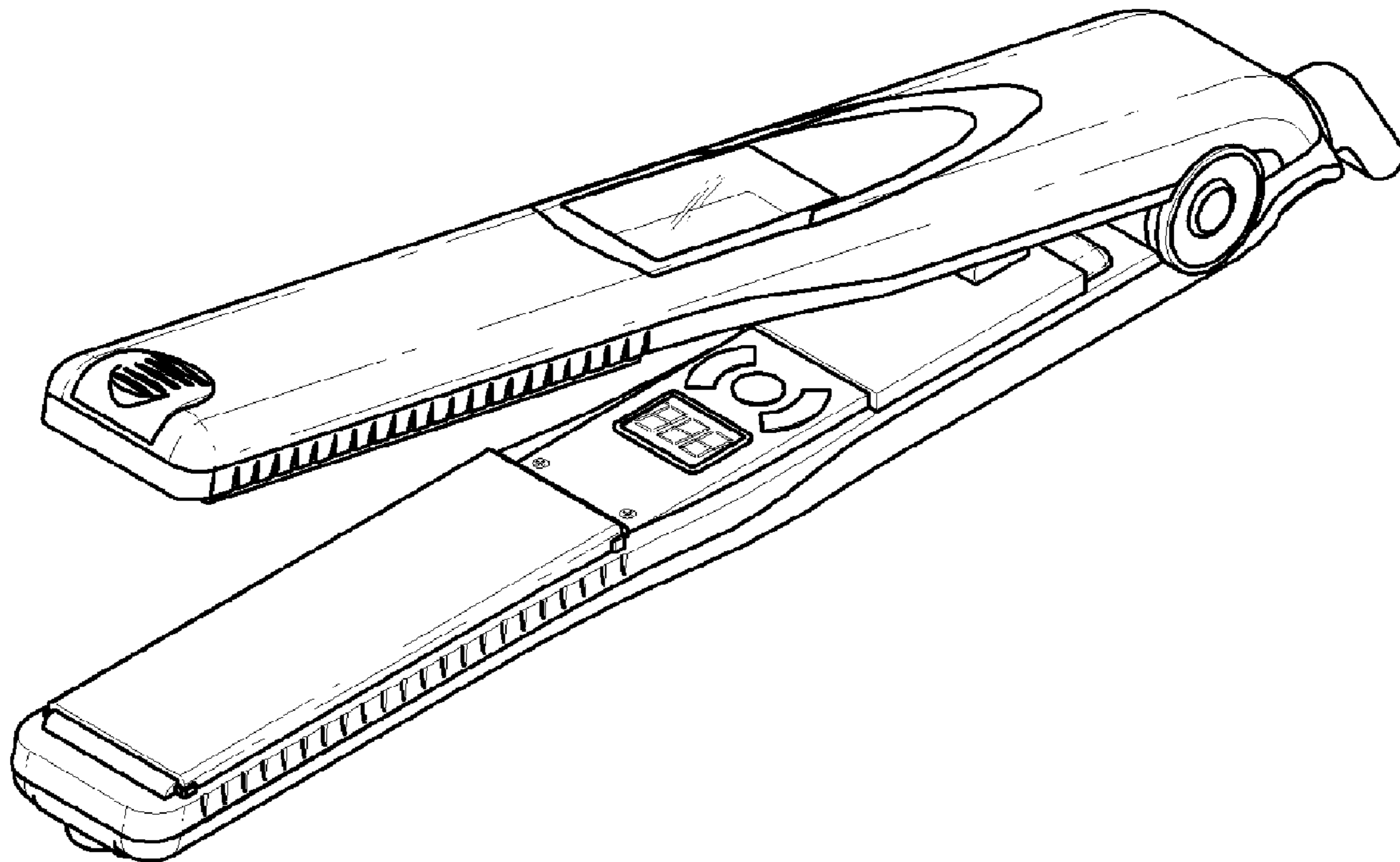
FIG. 4 is a left side view of the hair styling iron shown in FIG. 1.

FIG. 5 is a right side view of the hair styling iron shown in FIG. 1.

FIG. 6 is a front view of the hair styling iron shown in FIG. 1; and,

FIG. 7 is a back view of the hair styling iron shown in FIG. 1.

1 Claim, 2 Drawing Sheets



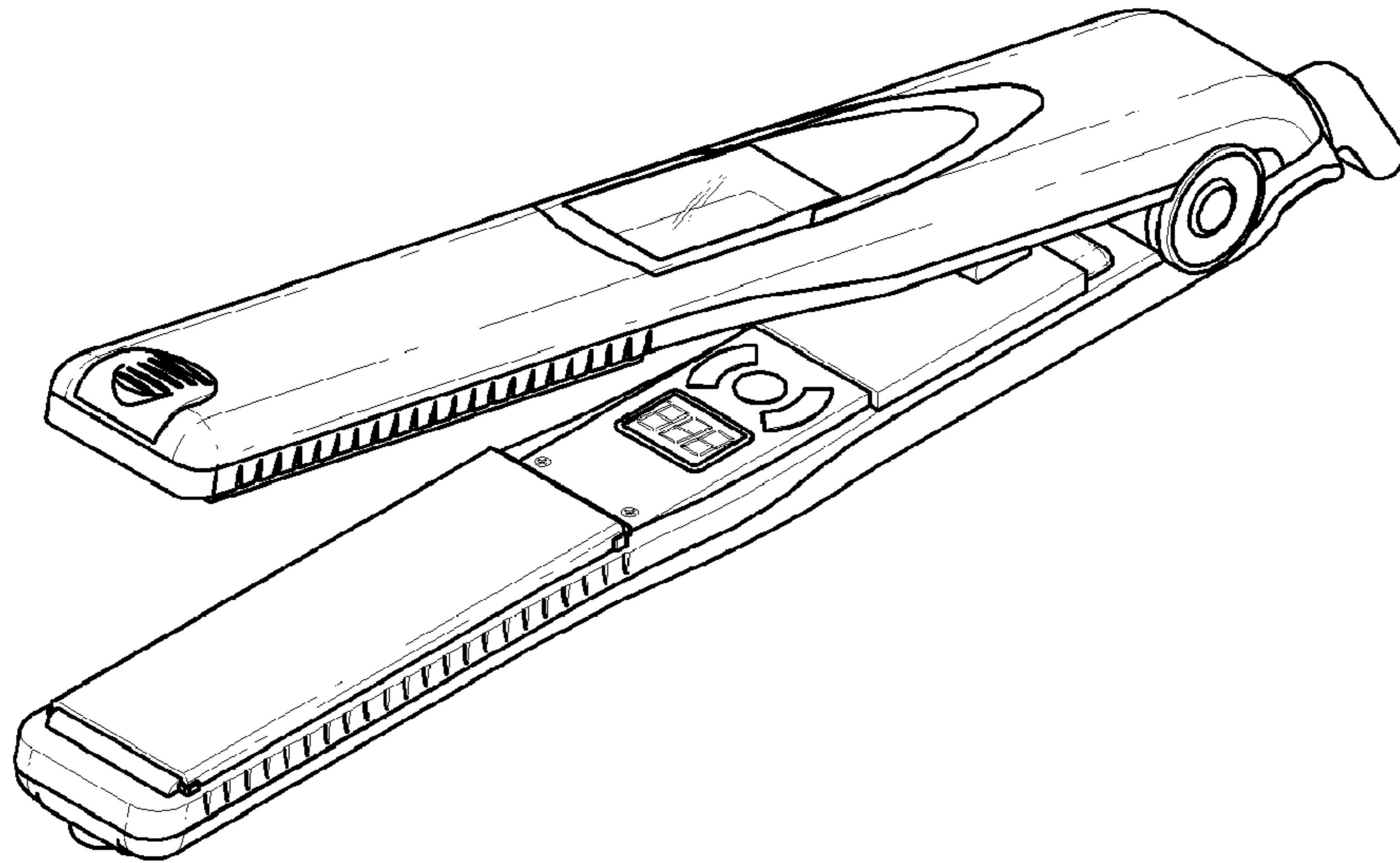


FIG. 1

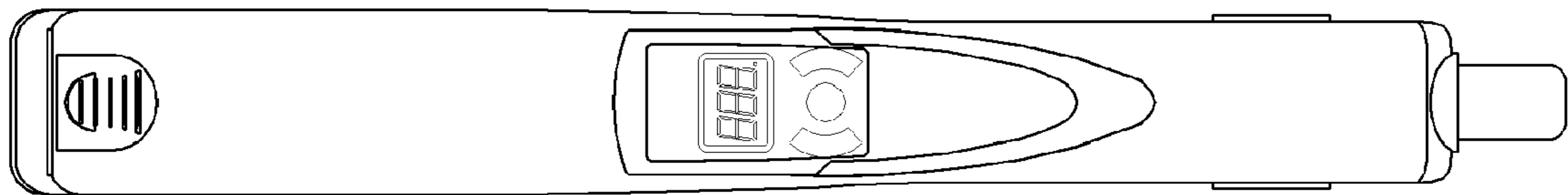


FIG. 2

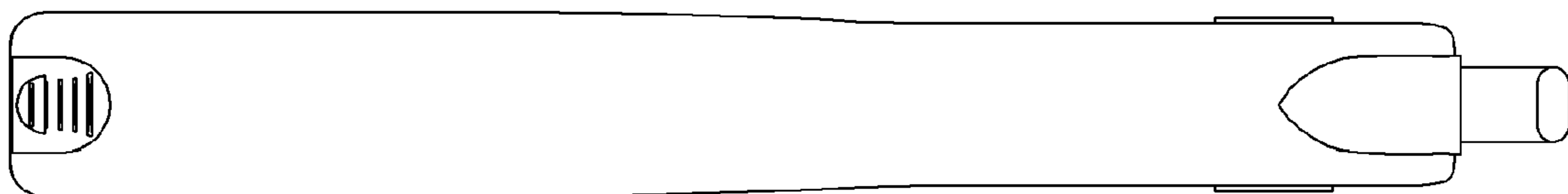


FIG. 3

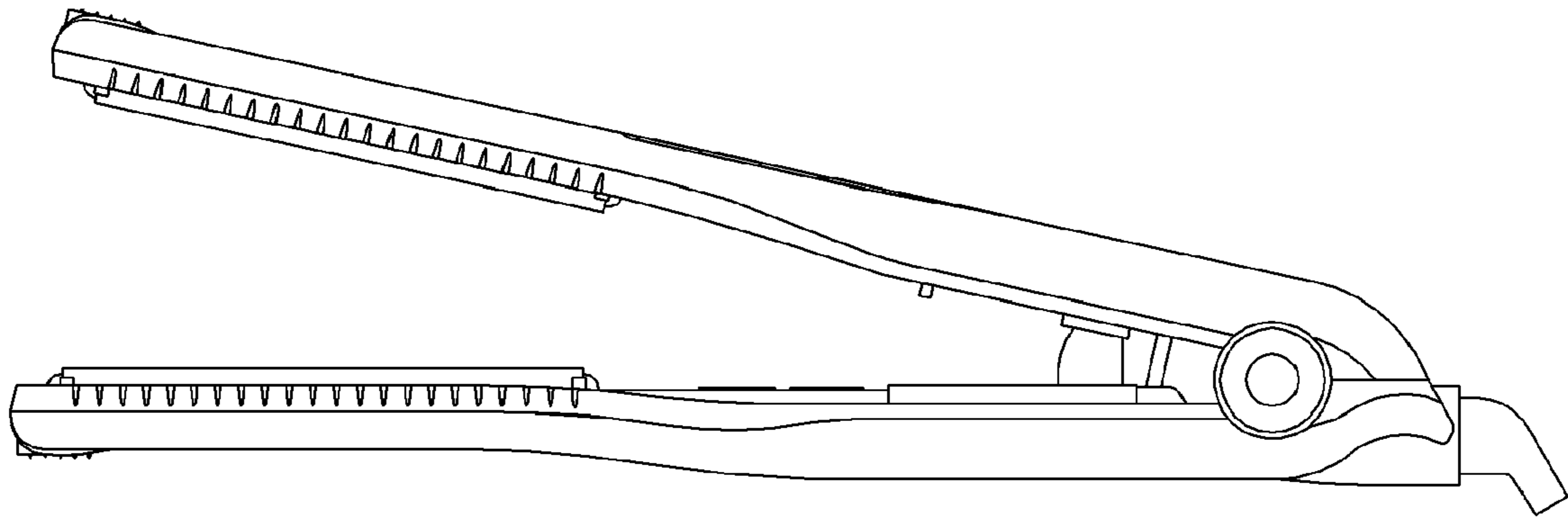


FIG. 4

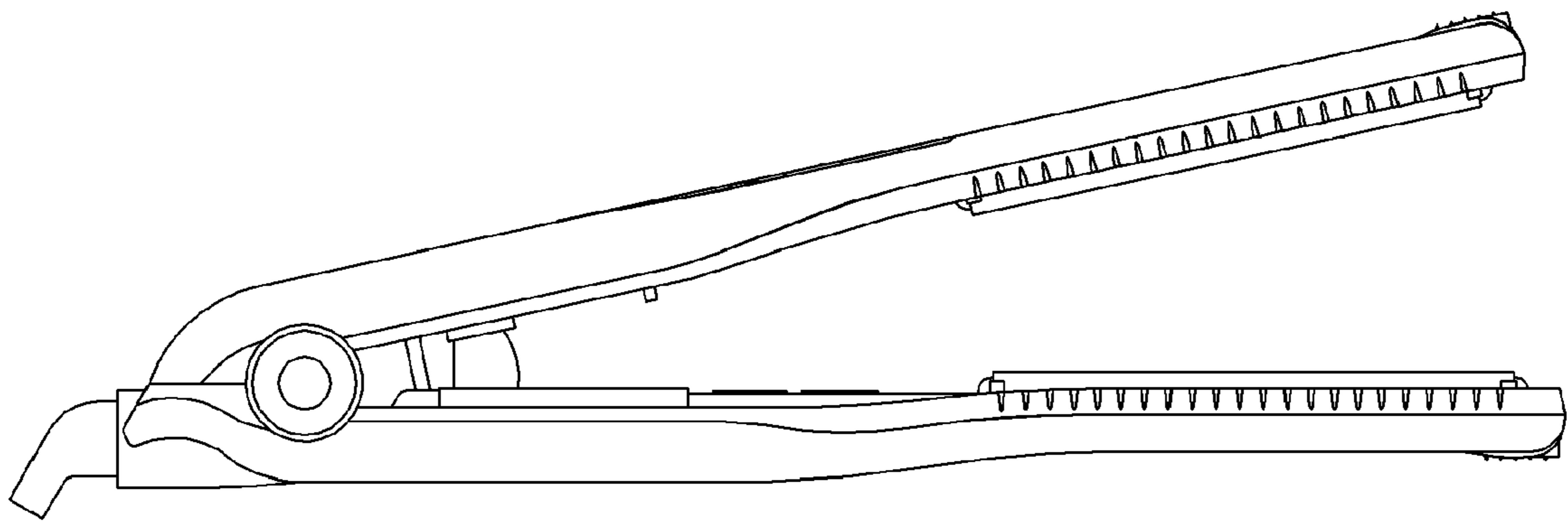


FIG. 5

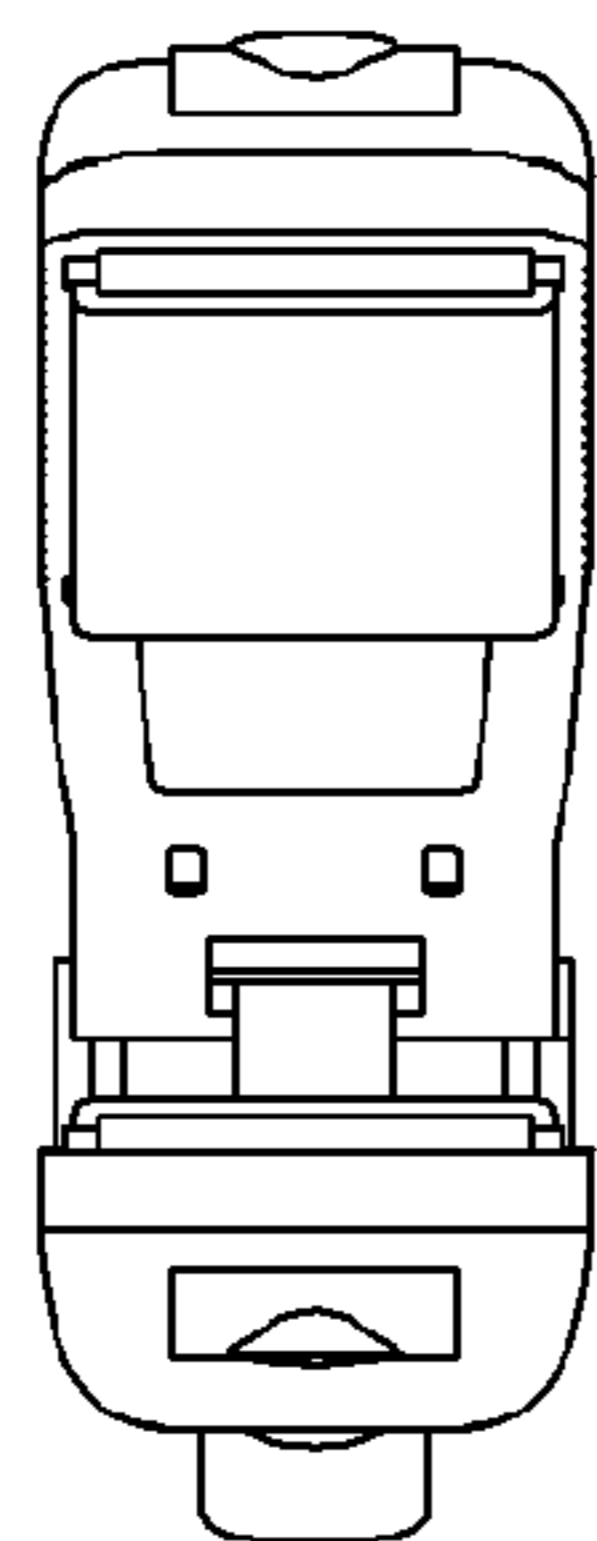


FIG. 6

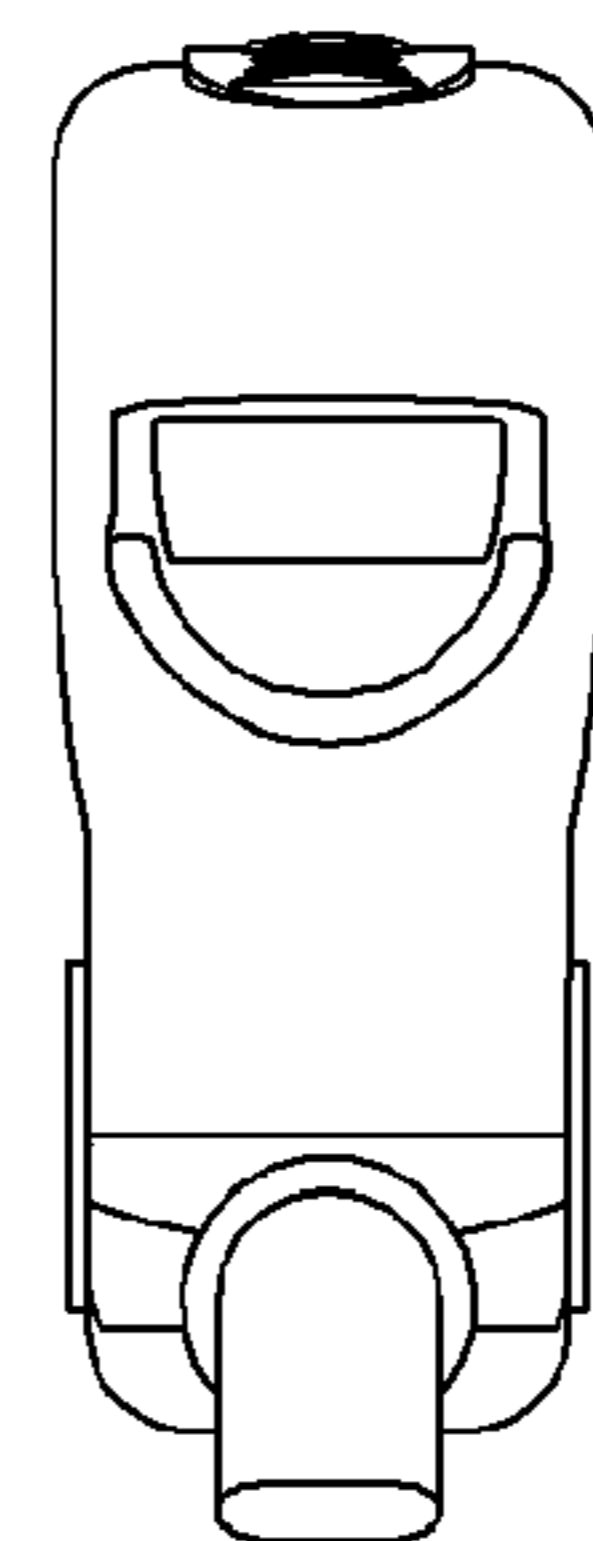


FIG. 7