



US00D620638S

(12) **United States Design Patent**
Nelson

(10) **Patent No.:** **US D620,638 S**
(45) **Date of Patent:** **** *Jul. 27, 2010**

(54) **COSMETIC PRODUCT**

KR 300399567.0000 11/2005

(75) Inventor: **Erin Keville Nelson**, Baltimore, MD
(US)

OTHER PUBLICATIONS

(73) Assignee: **The Proctor & Gamble Company**,
Cincinnati, OH (US)

USPTO Notice of Allowance and Office Action from co-pending U.S. Appl. No. 29/324,836, Filed Sep. 22, 2008, Inventor: Erin Keville Nelson, mail dates Jan. 26, 2010, and Nov. 12, 2009, 11 pages.

(**) Term: **14 Years**

* cited by examiner

(21) Appl. No.: **29/324,838**

Primary Examiner—Jennifer Rivard

(22) Filed: **Sep. 22, 2008**

(74) *Attorney, Agent, or Firm*—Megan C. Hymore; Jim C. Vago; Carl J. Roof

(51) **LOC (9) Cl.** **28-03**

(57) **CLAIM**

(52) **U.S. Cl.** **D28/4**

The ornamental design for a cosmetic product, as shown and described.

(58) **Field of Classification Search** D28/4,
D28/8.1, 8.2, 76, 77, 78, 79, 82; 510/523,
510/221–224, 147; 424/63, 401, 489; 206/581,
206/823; 132/286, 293, 294, 298, 303, 314,
132/315

DESCRIPTION

See application file for complete search history.

FIG. 1 is a perspective front view of a cosmetic product, embodying the new design, wherein the stippled areas represent color contrast;

(56) **References Cited**

U.S. PATENT DOCUMENTS

FIG. 2 is a right-side view of the design shown in FIG. 1, the left-side view being a mirror-image thereof;

D422,753 S *	4/2000	Einarson	D28/77
D468,867 S *	1/2003	Thorpe et al.	D28/79
6,631,806 B2 *	10/2003	Jackson	206/581
D516,744 S *	3/2006	Jackel-Marken	D28/4
D519,240 S *	4/2006	Jackel-Marken	D28/4
D522,174 S *	5/2006	Jackel-Marken	D28/4
7,165,559 B1 *	1/2007	Goodman	132/294
D547,491 S *	7/2007	Taniguchi	D28/4
2004/0040570 A1 *	3/2004	Shih	132/293

FIG. 3 is a top view of the design shown in FIG. 1;

FIG. 4 is a bottom view of the design shown in FIG. 1;

FIG. 5 is a perspective front view of a second embodiment of a cosmetic product, embodying the new design, wherein the stippled areas represent color contrast;

FIG. 6 is a right-side view of the design shown in FIG. 5, the left-side view being a mirror-image thereof;

FOREIGN PATENT DOCUMENTS

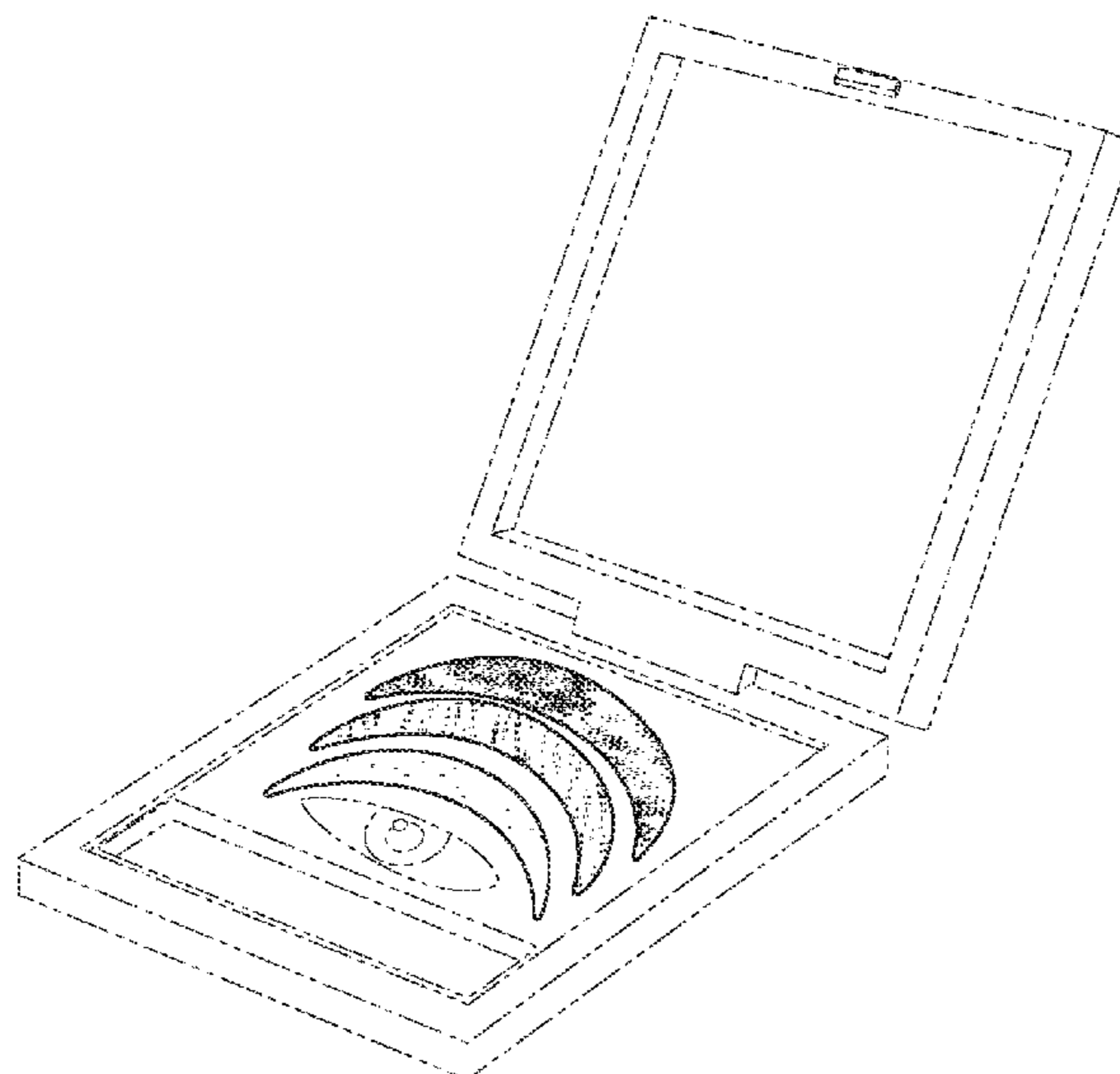
CA	000111407	8/2006
EM	000352281.0001	7/2005
EM	000779418.0004	10/2007
GB	002017351	2/1992
JP	0D1290886	1/2007

FIG. 7 is a top view of the design shown in FIG. 5; and,

FIG. 8 is a bottom view of the design shown in FIG. 5.

The broken lines shown in the drawings illustrate portions of the article and form no part of the claimed design.

1 Claim, 4 Drawing Sheets



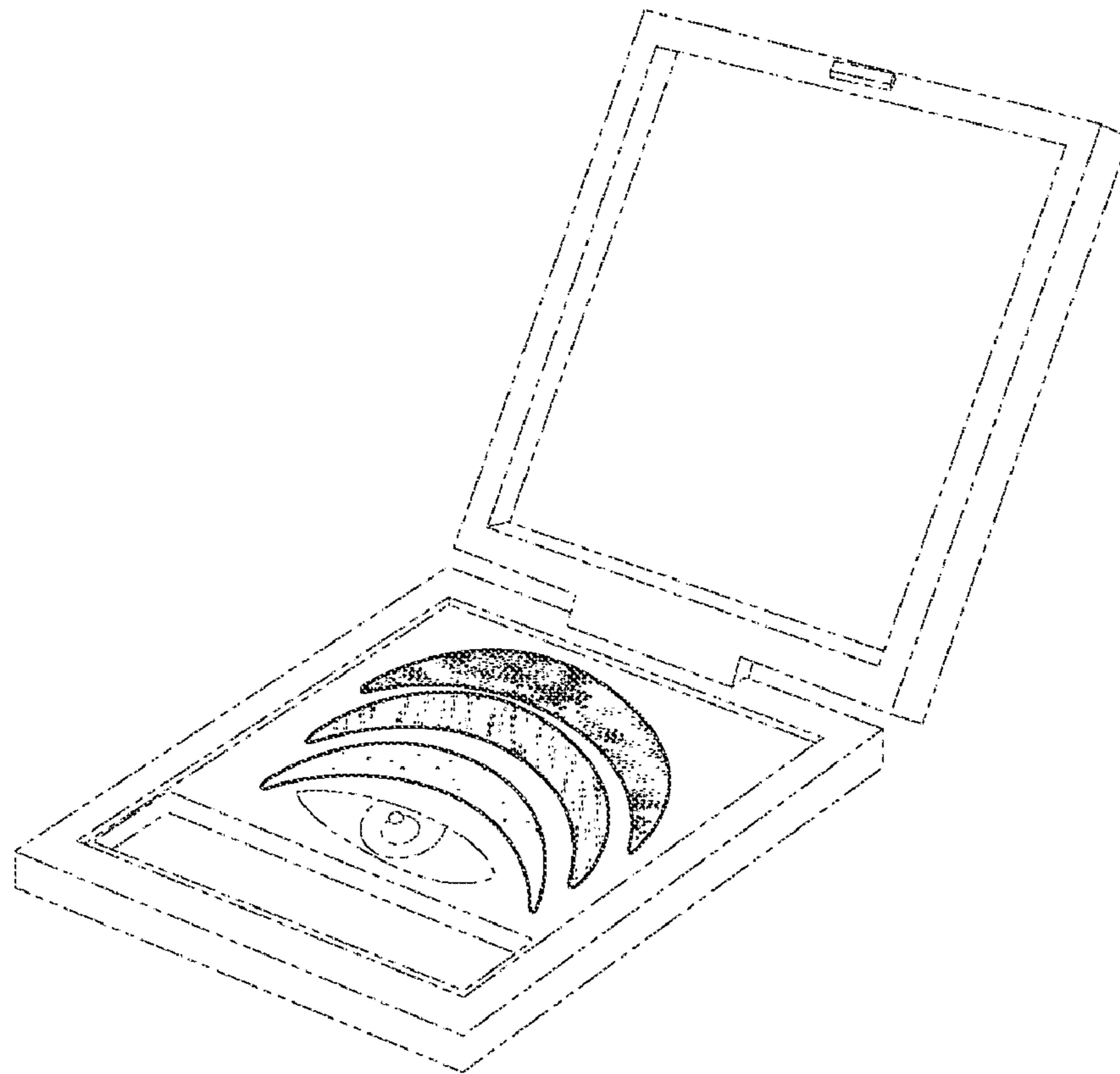


Fig. 1

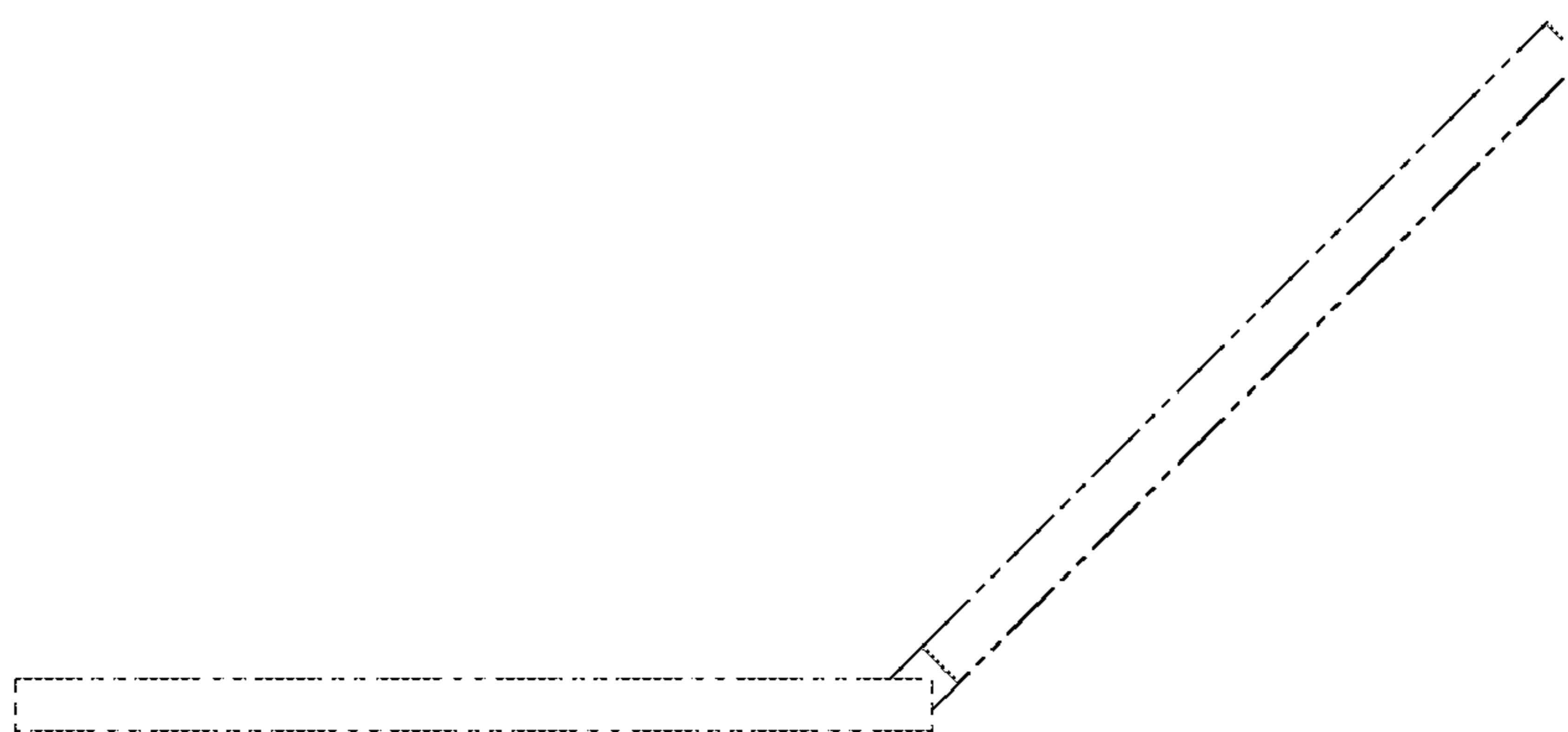


Fig. 2

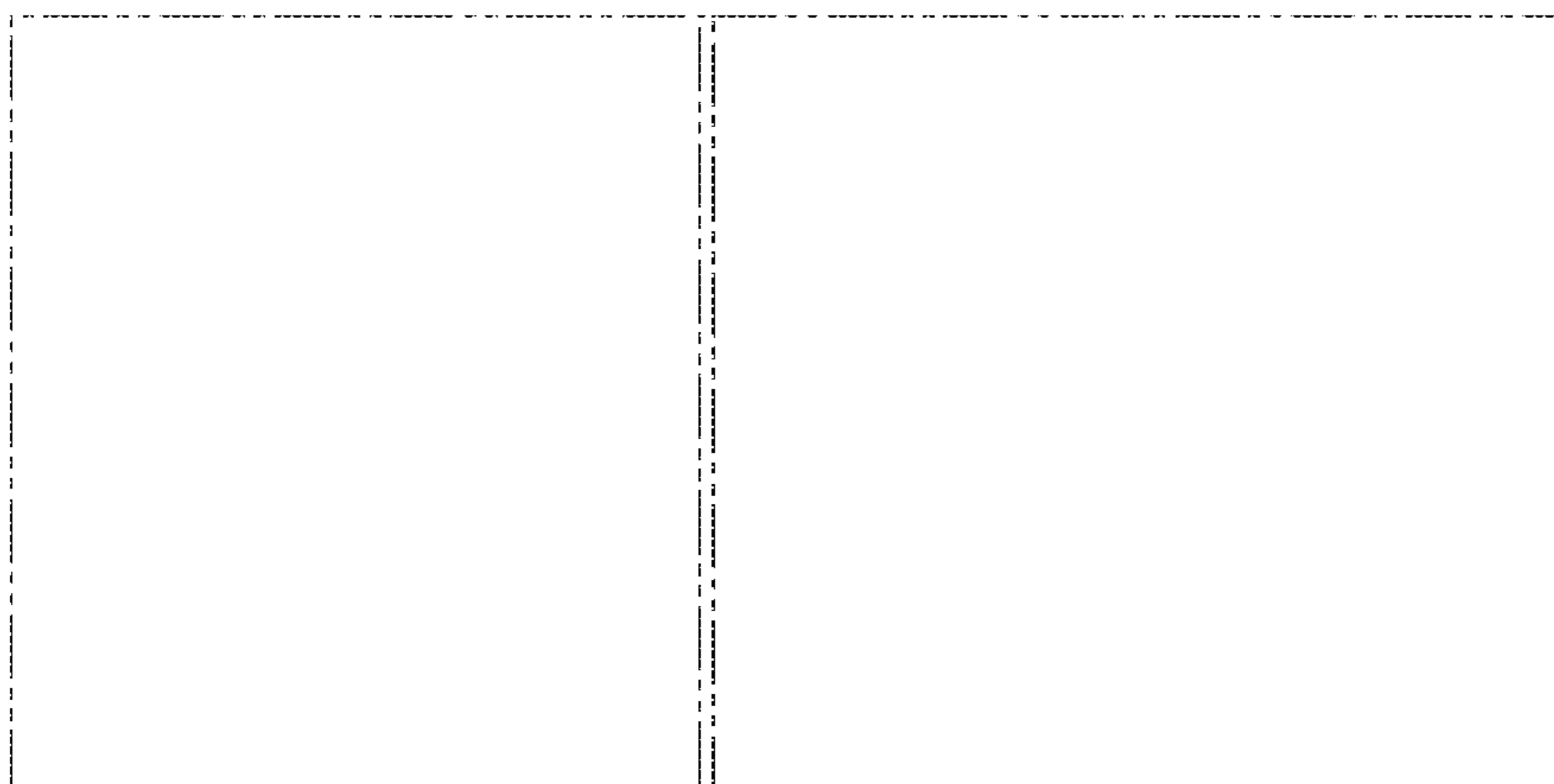


Fig. 4

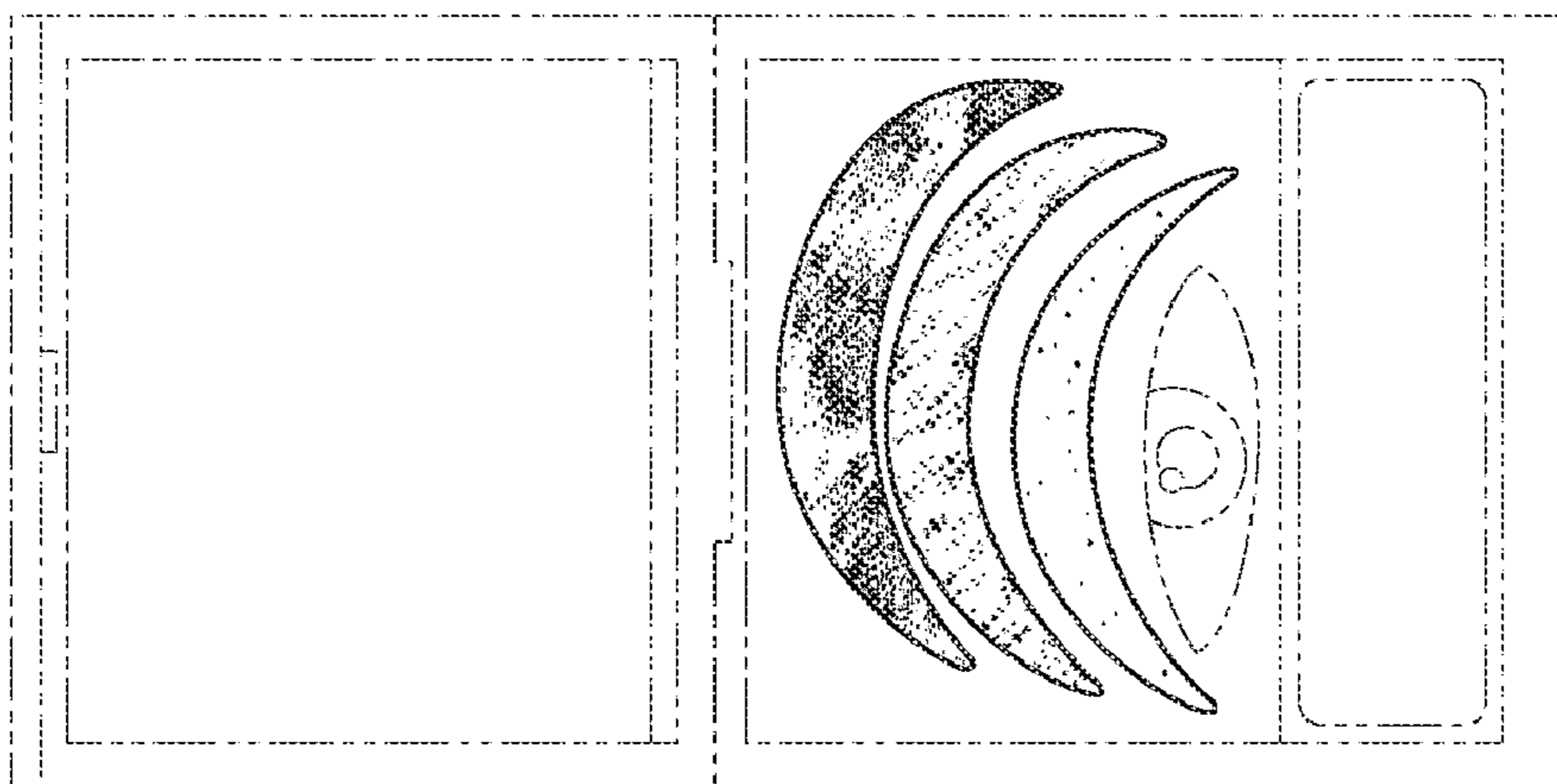


Fig. 3

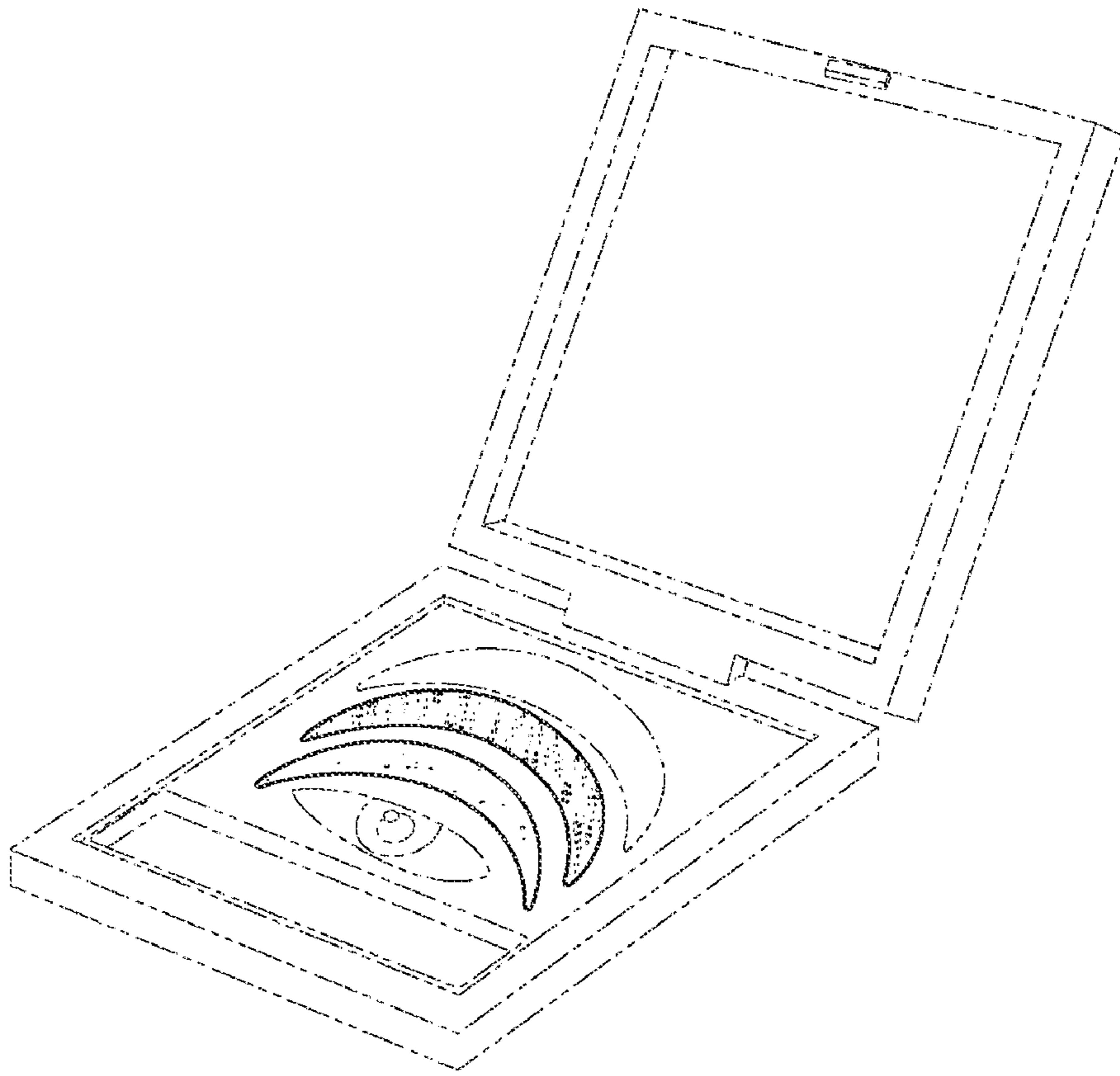


Fig. 5

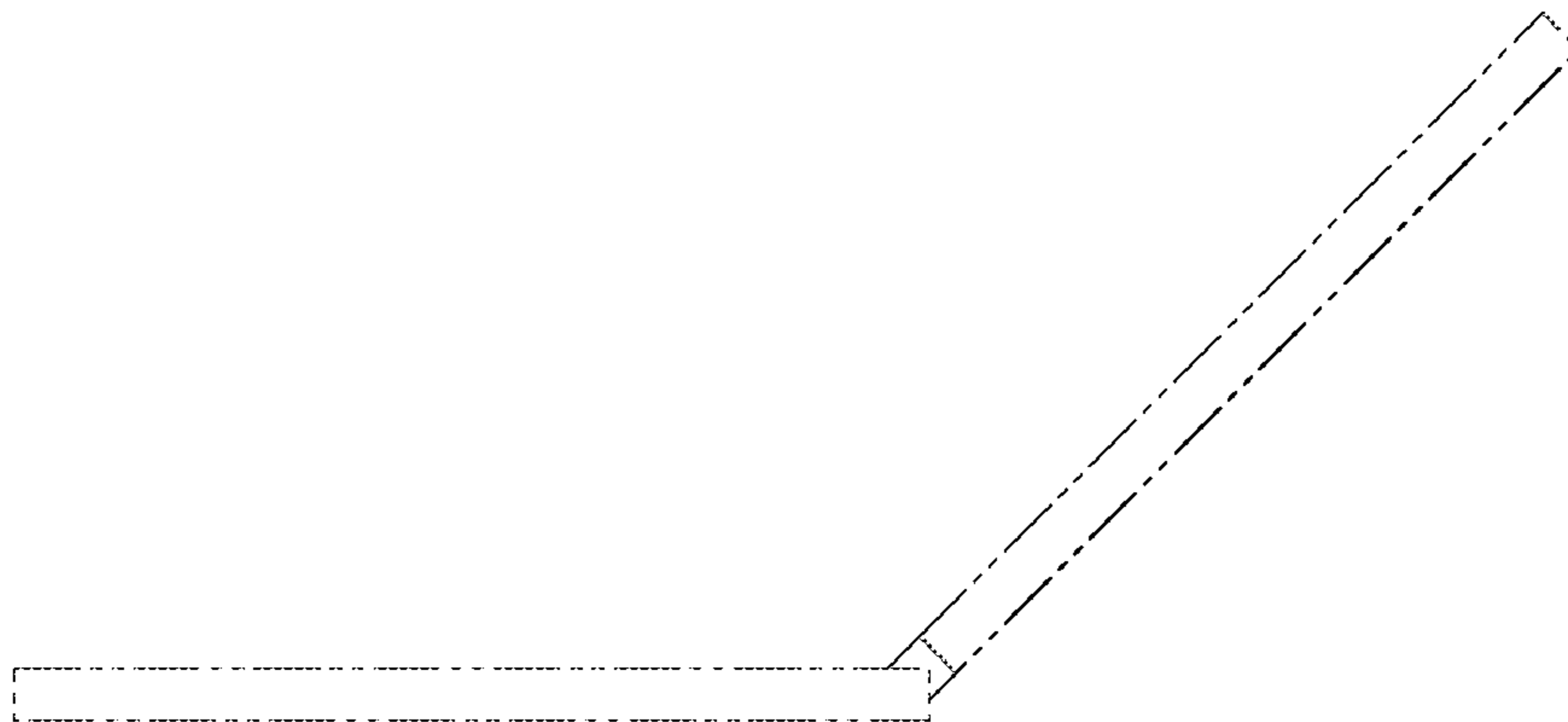


Fig. 6



Fig. 8

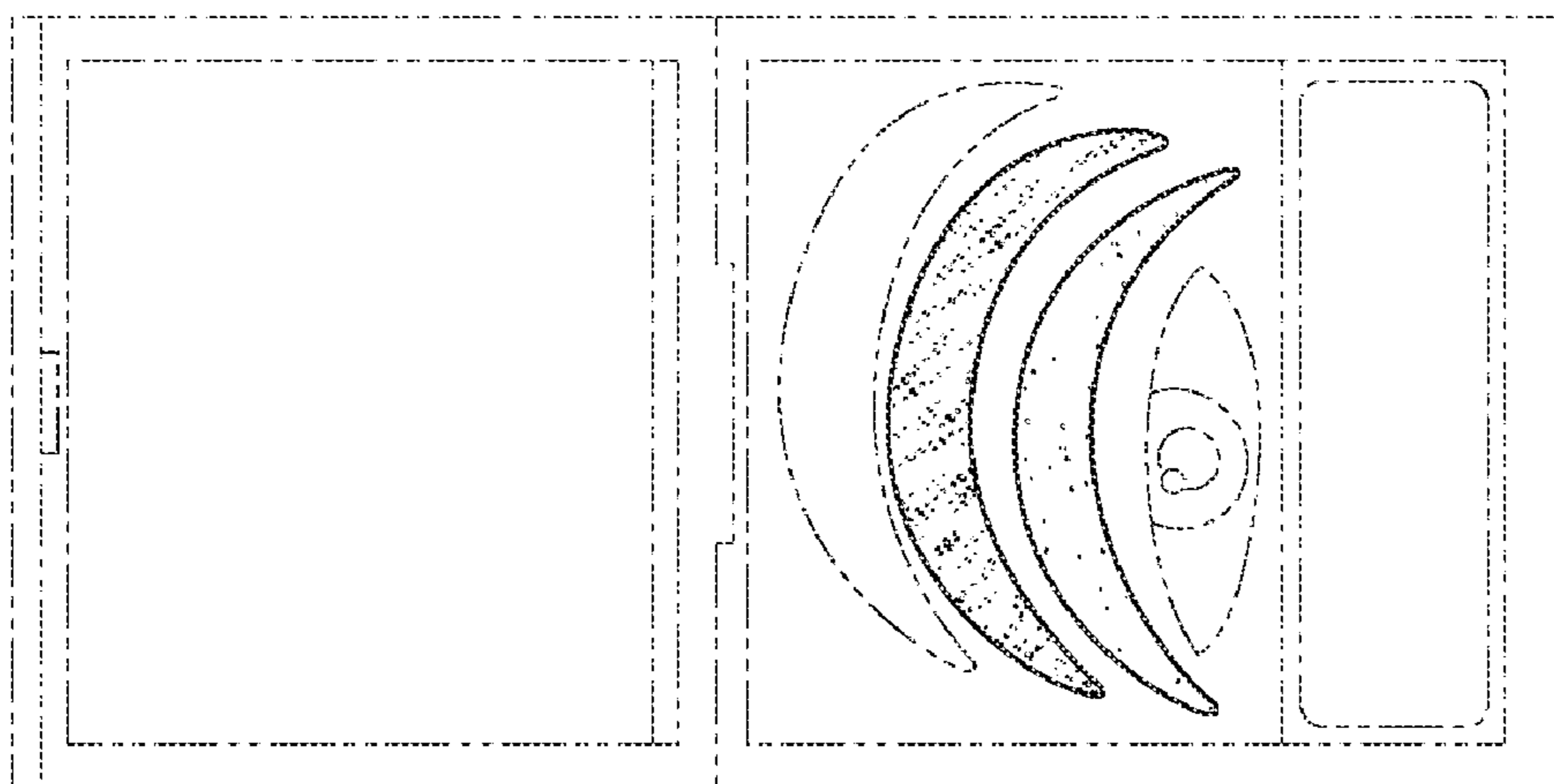


Fig. 7