



US00D620635S

(12) **United States Design Patent**
Chen et al.

(10) **Patent No.:** **US D620,635 S**
(45) **Date of Patent:** **** Jul. 27, 2010**

(54) **LED LENS**

(75) Inventors: **Chin-Chung Chen**, Taipei Hsien (TW);
Shi-Yu Song, Shenzhen (CN)

(73) Assignee: **Foxconn Technology Co., Ltd.**,
Tu-Cheng, Taipei Hsien (TW)

(**) Term: **14 Years**

(21) Appl. No.: **29/355,124**

(22) Filed: **Feb. 2, 2010**

(30) **Foreign Application Priority Data**

Dec. 10, 2009 (CN) 2009 3 0328522

(51) **LOC (9) Cl.** **26-99**

(52) **U.S. Cl.** **D26/124**

(58) **Field of Classification Search** D13/179,
D13/180; D16/101, 135; D25/122, 124;
D26/9, 11, 22, 25, 56, 67, 71, 72, 74, 76,
D26/79, 84, 85, 88, 89, 113, 118, 119, 120,
D26/121, 122, 123, 124, 128, 129, 130, 134,
D26/137, 138, 139, 140, 141, 142, 152;
52/844; 359/811, 819; 362/145, 152, 219,
362/240, 241, 249.01, 249.02, 249.03, 249.04,
362/249.05, 249.06, 249.07, 249.08, 249.09,
362/249.1, 547, 555

See application file for complete search history.

(56) **References Cited**

U.S. PATENT DOCUMENTS

D137,085 S * 1/1944 Cressaty D26/124
D140,840 S * 4/1945 Cressaty D26/124
3,163,768 A * 12/1964 Bernheim 250/238
5,704,709 A * 1/1998 Zwick et al. 362/304
5,894,195 A * 4/1999 McDermott 313/512
5,905,599 A * 5/1999 Nomura et al. 359/819
6,034,827 A * 3/2000 Nomura et al. 359/811
6,055,111 A * 4/2000 Nomura et al. 359/642
6,450,667 B1 * 9/2002 Thompson 362/263
6,474,831 B1 * 11/2002 Ruuttu et al. 362/148
6,724,543 B1 * 4/2004 Chinniah et al. 359/718

D495,822 S * 9/2004 Yoneda D26/124
D511,787 S * 11/2005 Galli D16/134
6,972,439 B1 * 12/2005 Kim et al. 257/98
7,019,334 B2 * 3/2006 Yatsuda et al. 257/98
D520,143 S * 5/2006 Yoneda D24/209
D523,826 S * 6/2006 Kamada D13/180
D524,260 S * 7/2006 Ishizaka et al. D13/180
D542,239 S * 5/2007 Egawa D13/180
7,217,004 B2 * 5/2007 Park et al. 362/240
D555,111 S * 11/2007 Yen D13/180
D563,588 S * 3/2008 Mullen D26/85
7,347,590 B2 * 3/2008 Lee et al. 362/327
D567,773 S * 4/2008 Kamada D13/180
D573,554 S * 7/2008 Kobayakawa D13/180
D574,551 S * 8/2008 Park D26/120
D576,569 S * 9/2008 Chen et al. D13/180
D579,424 S * 10/2008 Kim et al. D13/180
7,458,703 B2 * 12/2008 Han et al. 362/267
7,473,013 B2 * 1/2009 Shimada 362/327
7,618,160 B2 * 11/2009 Chinniah et al. 362/326
2004/0264196 A1 * 12/2004 Shu 362/294
2004/0264199 A1 * 12/2004 Shu et al. 362/327

(Continued)

Primary Examiner—Cathron C Brooks
Assistant Examiner—Kevin K Rudzinski
(74) *Attorney, Agent, or Firm*—Frank R. Niranjan

(57) **CLAIM**

The ornamental design for an LED lens, as shown.

DESCRIPTION

FIG. 1 is a perspective view of an LED lens showing our new design.

FIG. 2 is a front elevational view thereof.

FIG. 3 is a rear elevational view thereof.

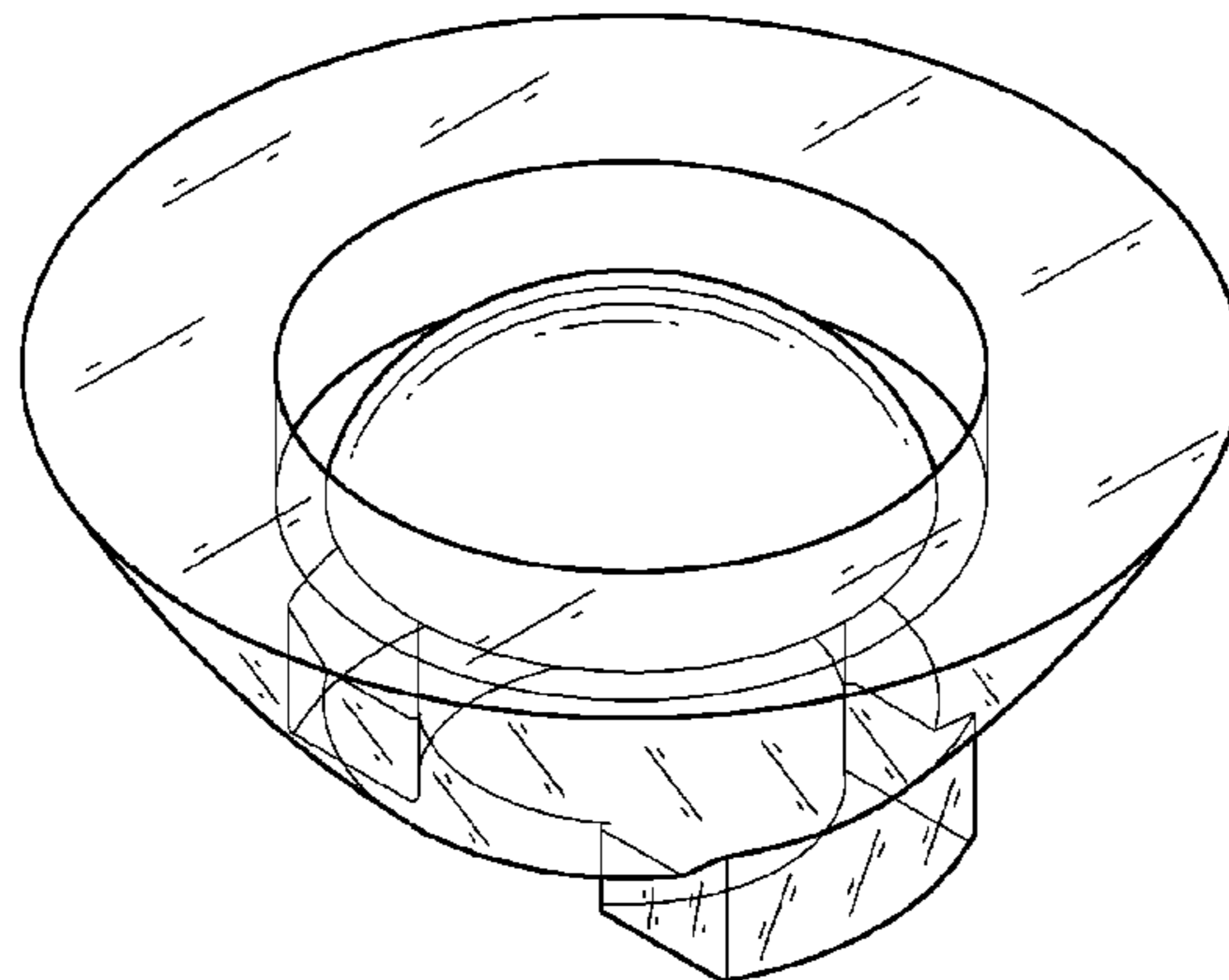
FIG. 4 is a left-side, elevational view thereof.

FIG. 5 is a right-side, elevational view thereof.

FIG. 6 is a top plan view thereof; and,

FIG. 7 is a bottom plan view thereof.

1 Claim, 7 Drawing Sheets



US D620,635 S

Page 2

U.S. PATENT DOCUMENTS			
2005/0023538	A1 *	2/2005	Ishii et al. 257/79
2007/0045823	A1 *	3/2007	Miller 257/706
2007/0063321	A1 *	3/2007	Han et al. 257/675
2007/0114559	A1 *	5/2007	Sayers et al. 257/100
2007/0126020	A1 *	6/2007	Lin et al. 257/100
2008/0203412	A1 *	8/2008	Shyu et al. 257/98
2009/0129097	A1 *	5/2009	Ewert et al. 362/328

* cited by examiner

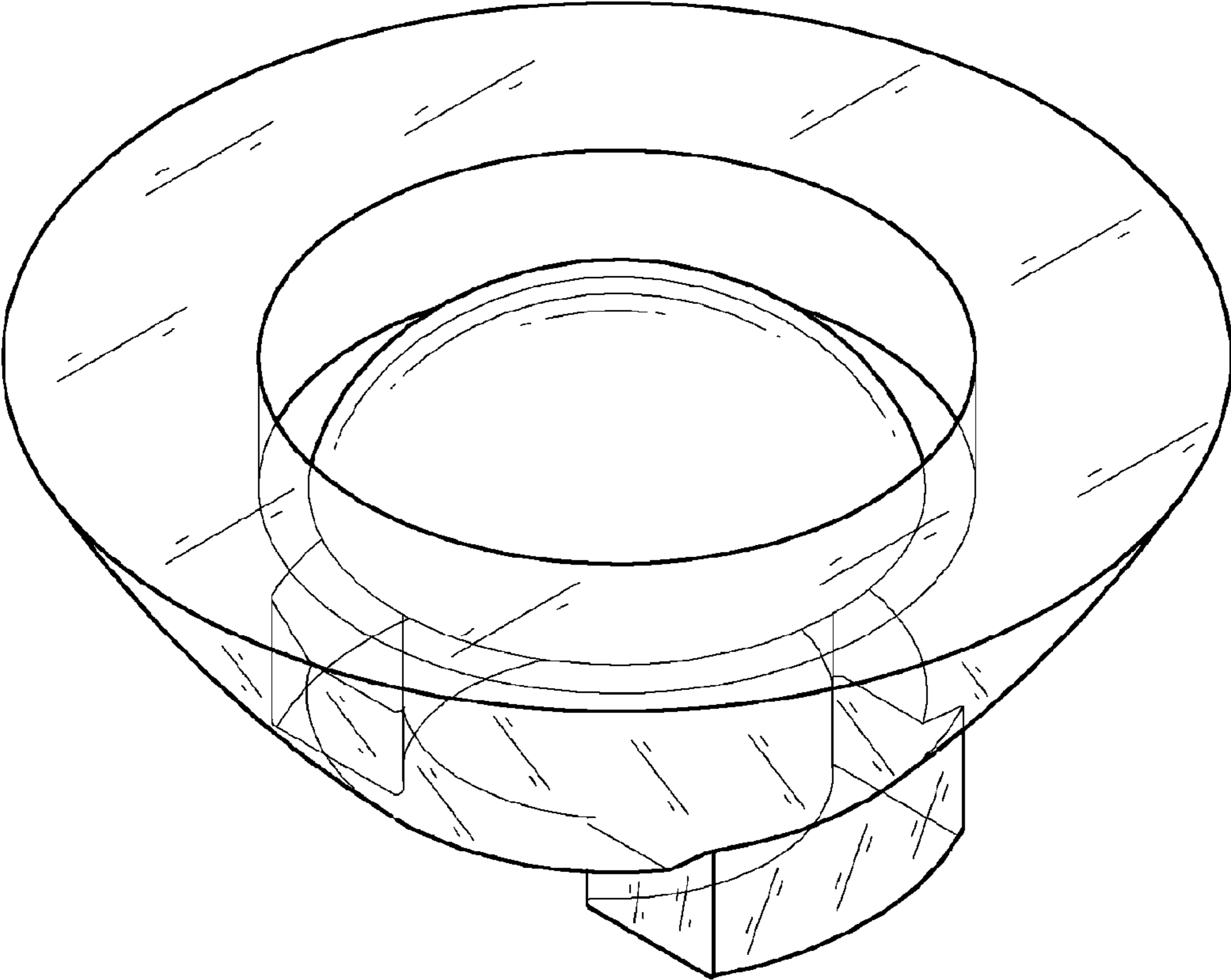


FIG. 1

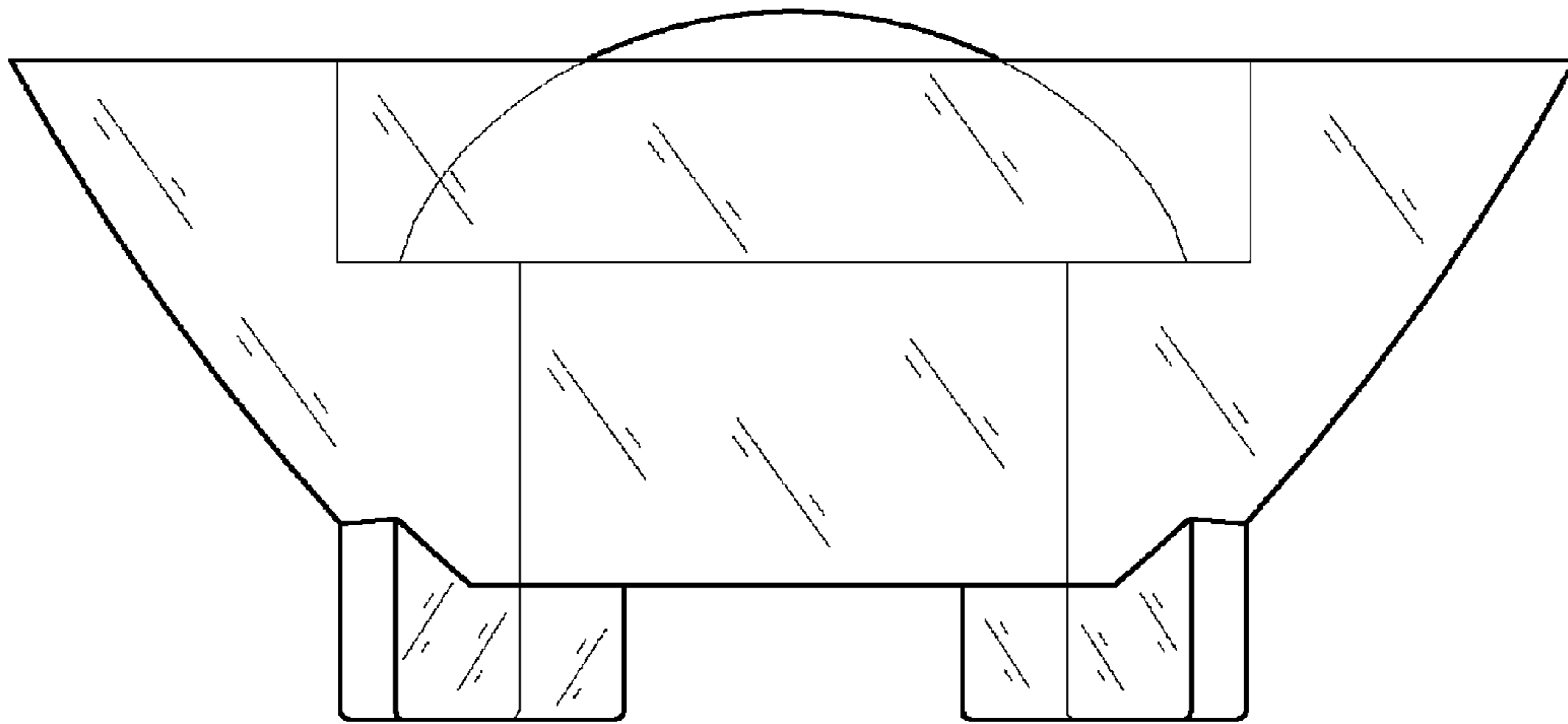


FIG. 2

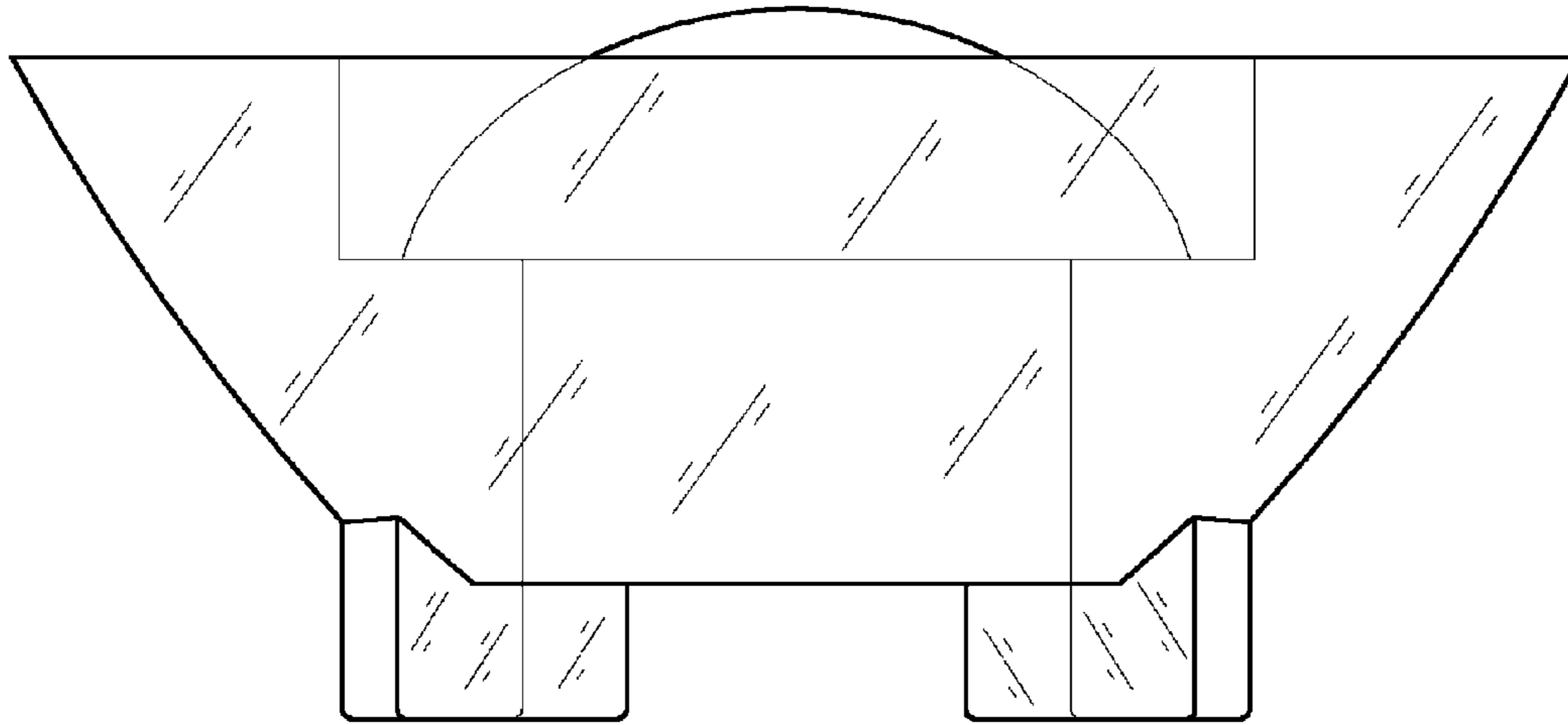


FIG. 3

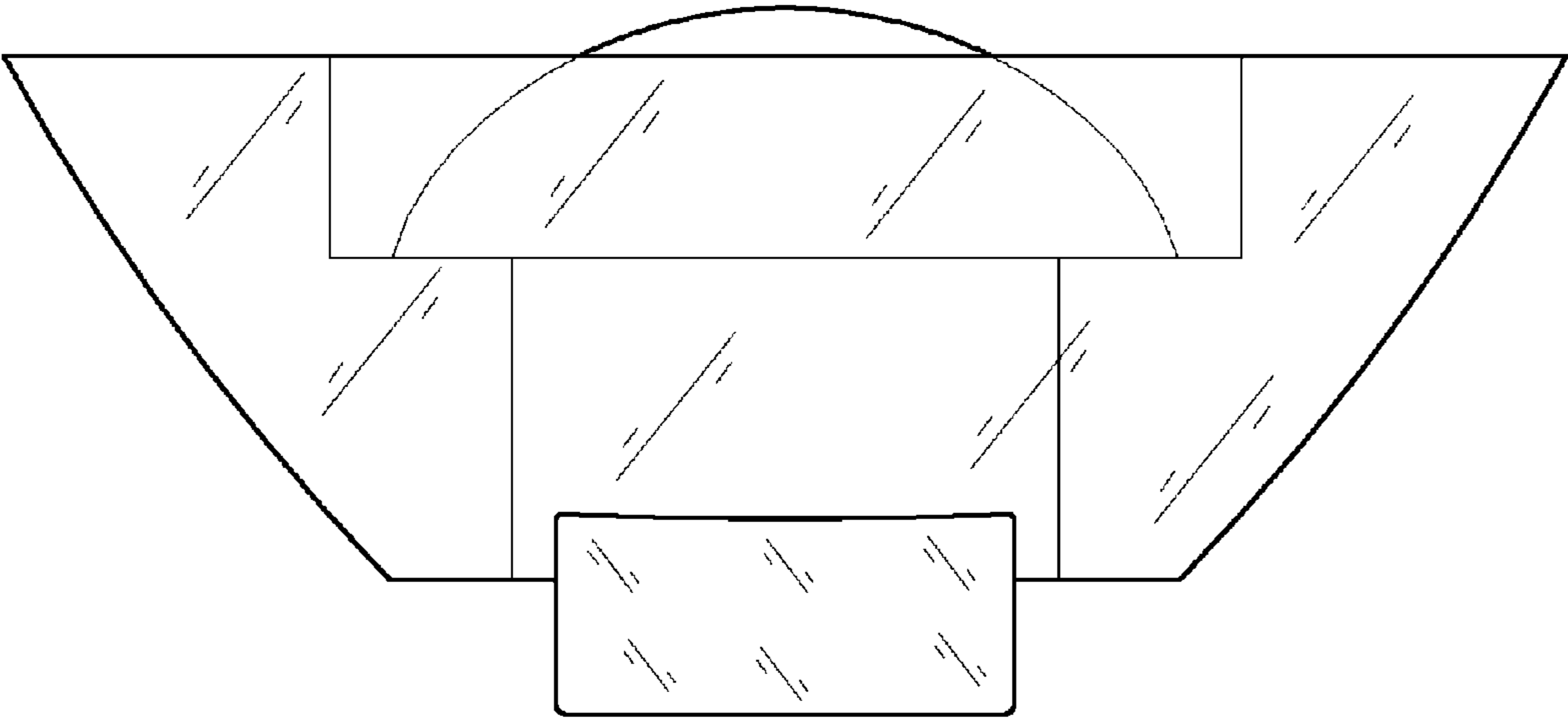


FIG. 4

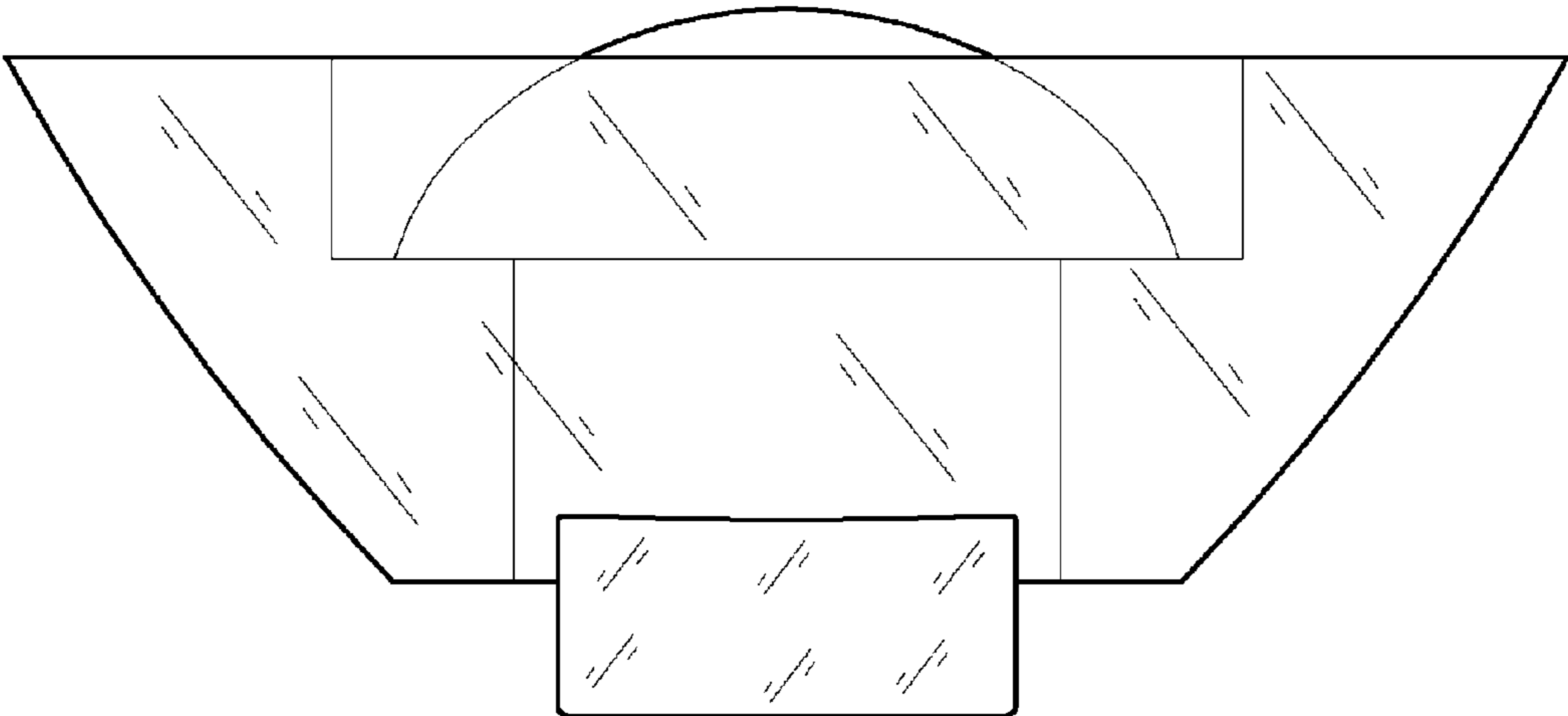


FIG. 5

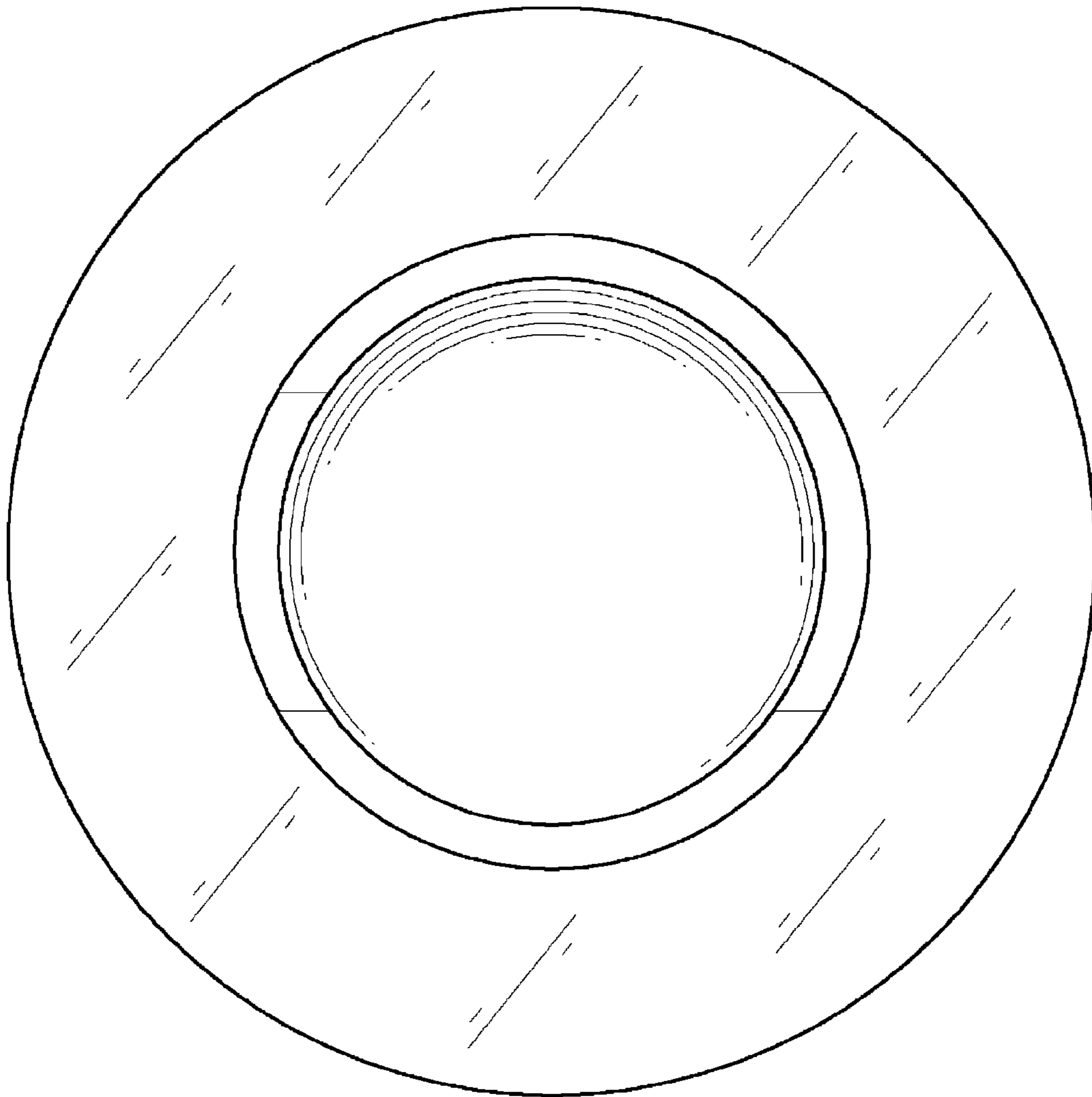


FIG. 6

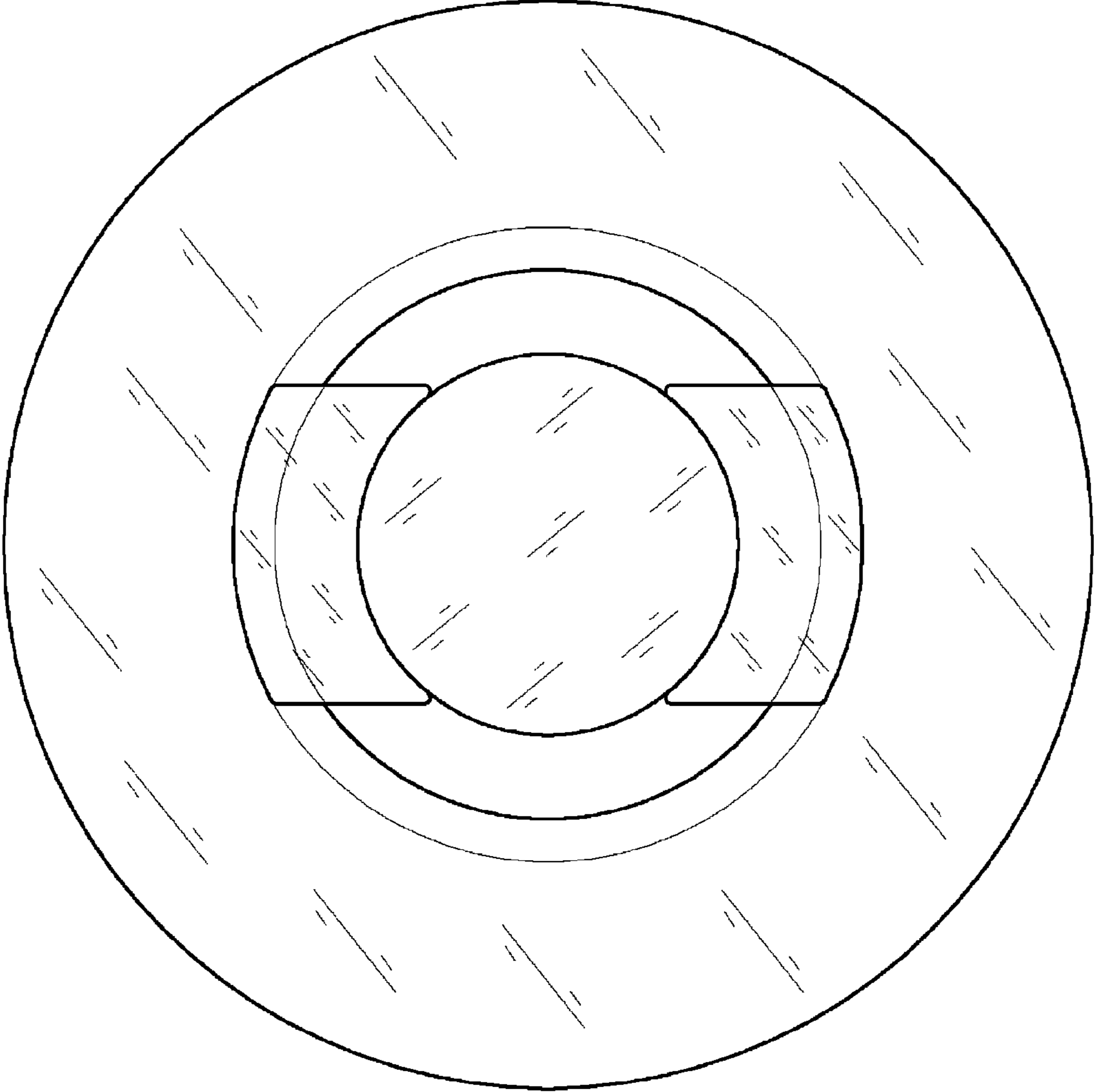


FIG. 7