



US00D620633S

(12) **United States Design Patent**
Sabernig

(10) **Patent No.:** **US D620,633 S**

(45) **Date of Patent:** **** Jul. 27, 2010**

(54) **LIGHT FIXTURE**

(75) Inventor: **Robert Sabernig**, Munster (AT)

(73) Assignee: **EGLO Leuchten GmbH**, Innsbruck (AT)

(**) Term: **14 Years**

(21) Appl. No.: **29/352,817**

(22) Filed: **Dec. 28, 2009**

(51) **LOC (9) Cl.** **26-03**

(52) **U.S. Cl.** **D26/88; D26/90**

(58) **Field of Classification Search** D26/84–86,
D26/88–91, 118, 128, 137; 362/147, 404–408,
362/431, 432

See application file for complete search history.

(56) **References Cited**

U.S. PATENT DOCUMENTS

D65,919 S *	11/1924	Monroe	D26/89
D101,800 S *	11/1936	Tompkins	D26/128
D102,438 S *	12/1936	Montmartin	D26/88
D178,212 S *	7/1956	Schreckengost	D26/89
D233,167 S *	10/1974	Gore et al.	D26/71
D314,059 S *	1/1991	O'Neil	D26/73
D320,465 S *	10/1991	Sonneman	D26/86
D416,643 S *	11/1999	Benghozi	D26/86
D468,474 S *	1/2003	Poulton	D26/90
D566,321 S *	4/2008	Pickett	D26/89
D575,439 S *	8/2008	Morrison	D26/88
D576,339 S *	9/2008	Porter	D26/86
D592,791 S *	5/2009	Sabernig	D26/84

OTHER PUBLICATIONS

“Orvino” Bathbar #19410-012 on p. 128 of the Eurofase Illuminations online 2010 Catalog. site visited Mar. 25, 2010.*

Besa Lighting Contemporary Bronze Large Pendant #3910372 from modernlightinguniverse.com. site first visite on Jun. 16, 2009. (2 pages).*

“Ripple” Chandelier from jGoodDesign. Online brochure © 2009; and “Stone” Pendant from jGoodDesign. Online brochure © 2005. (2 pages).*

“Mela” Light fixture family. All shown on p. 316 of the ELK Lighting Catalog © 2009.*

* cited by examiner

Primary Examiner—Clare E Heflin

(74) *Attorney, Agent, or Firm*—Baker & McKenzie LLP

(57) **CLAIM**

The ornamental design for a light fixture, as shown and described.

DESCRIPTION

FIG. 1 is a perspective view of a light fixture in accordance with my design;

FIG. 2 is a side elevation view of the light fixture in accordance with my design, the opposite side being a mirror image thereof;

FIG. 3 is a top plan view of the light fixture in accordance with my design;

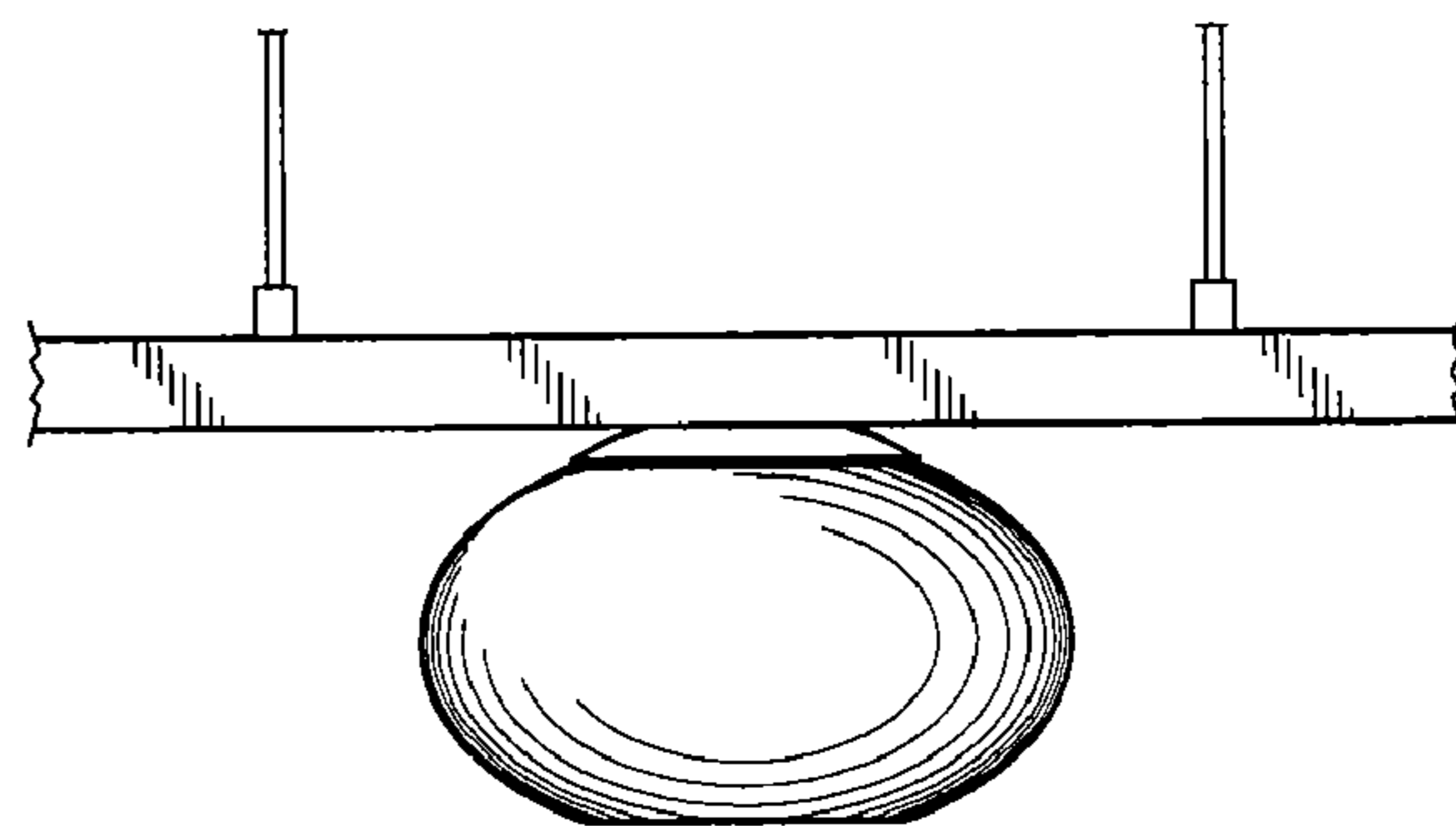
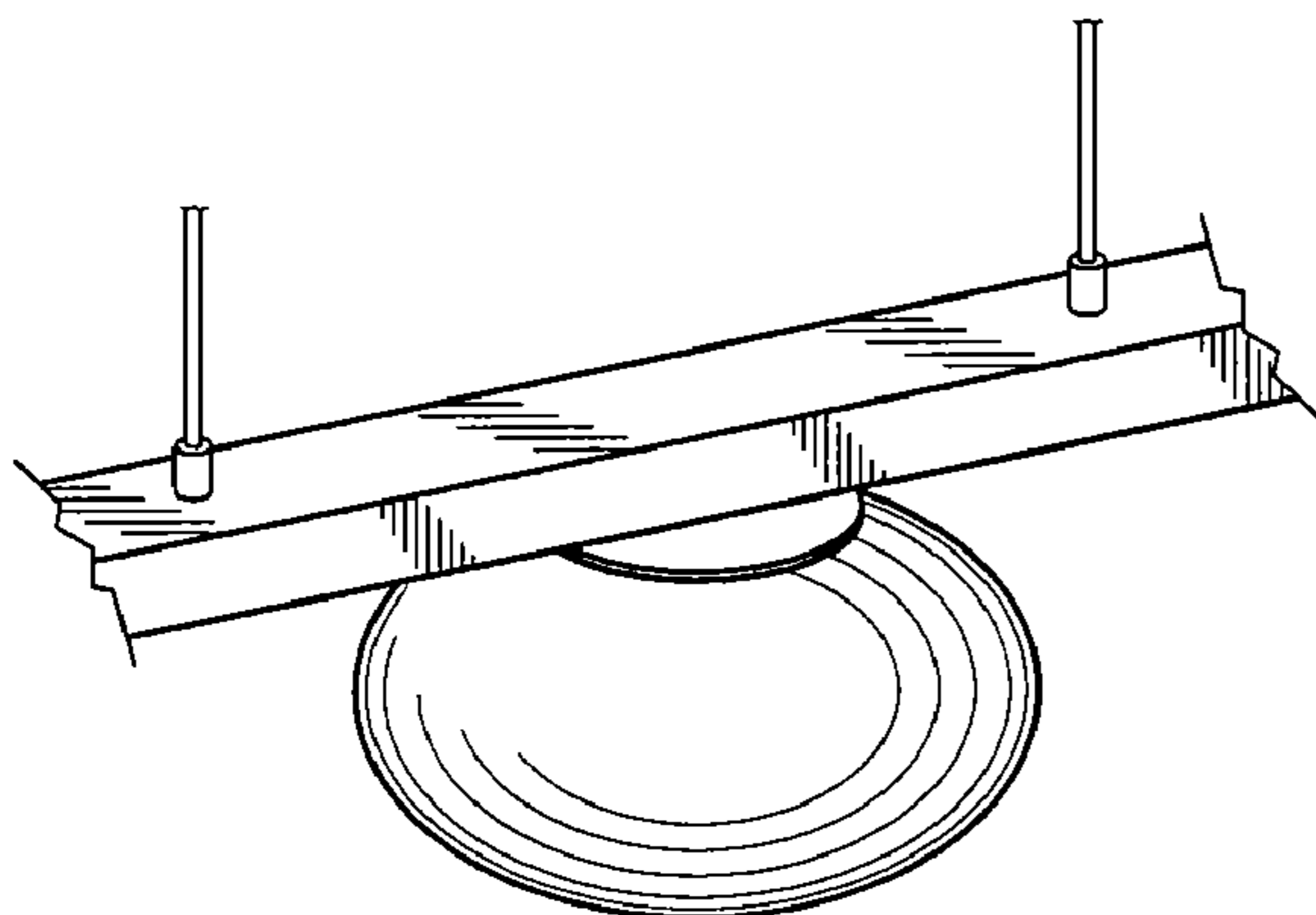
FIG. 4 is a front elevation view of the light fixture in accordance with my design, the opposite side being a mirror image thereof; and,

FIG. 5 is a bottom plan view of the light fixture in accordance with my design.

The broken-line disclosure of elements is understood to represent portions of the article in which the design is embodied, but which form no part of the claimed design.

Light fixture elements are shown broken away to indicate indeterminate length.

1 Claim, 1 Drawing Sheet



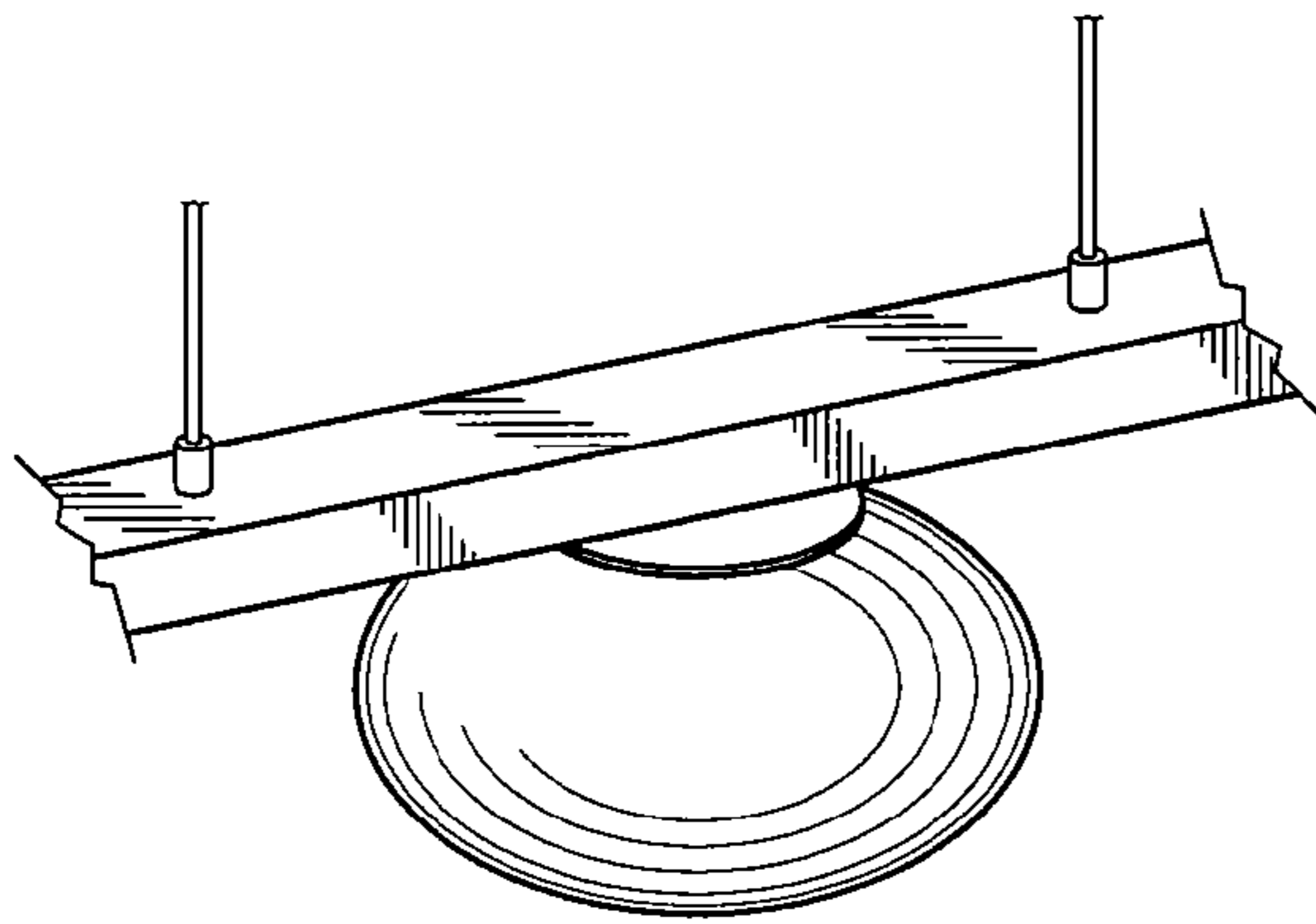


Fig.1

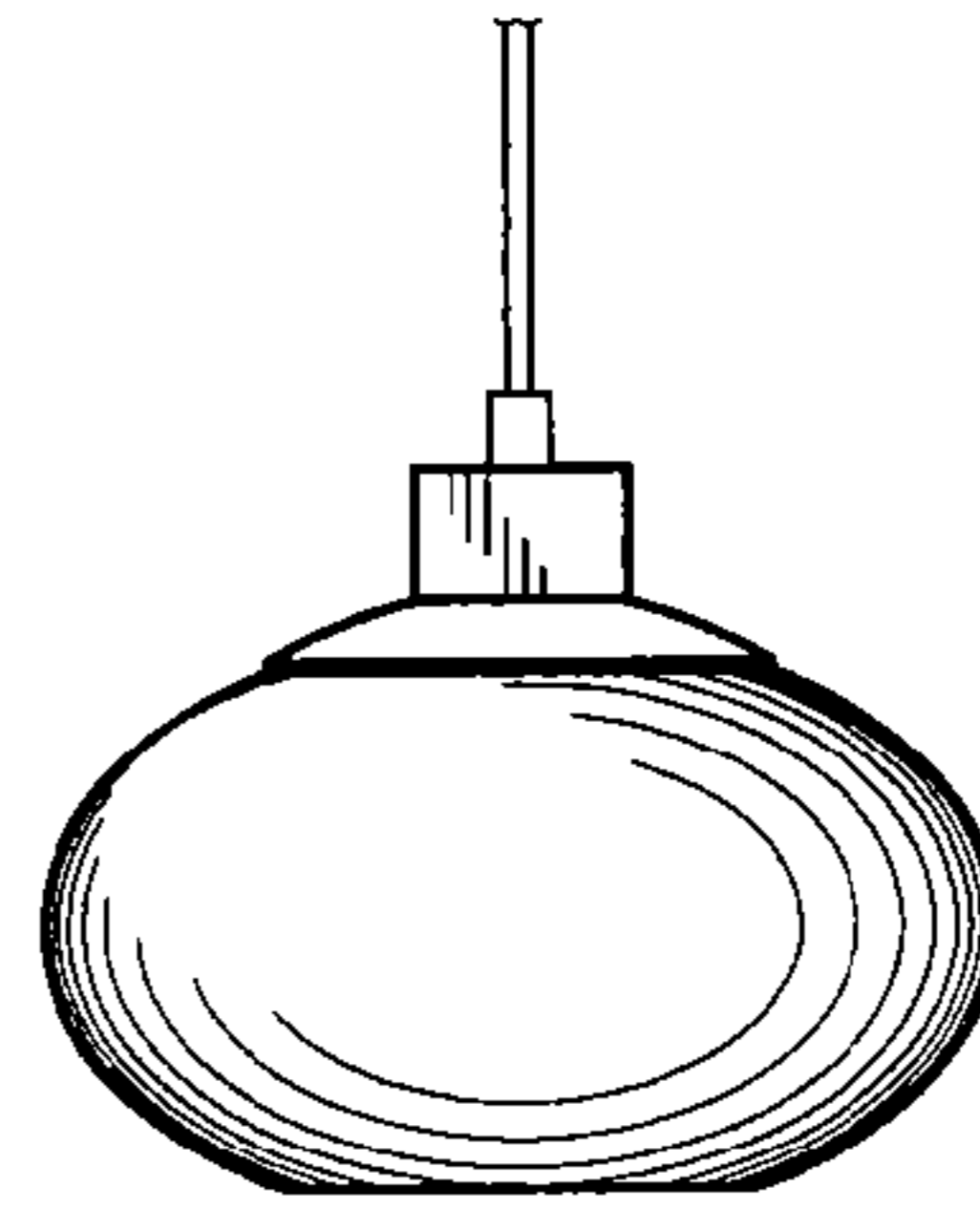


Fig.2

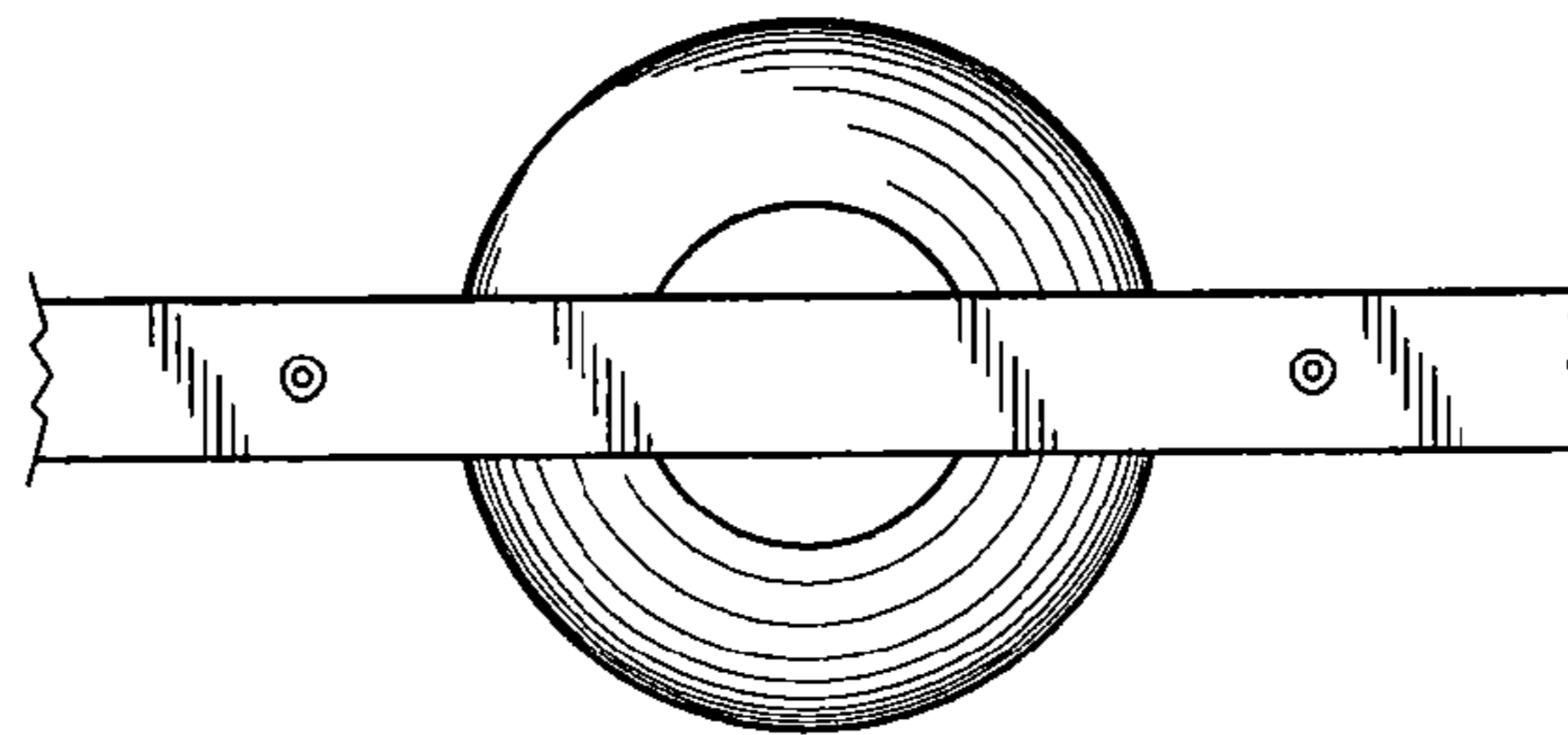


Fig.3

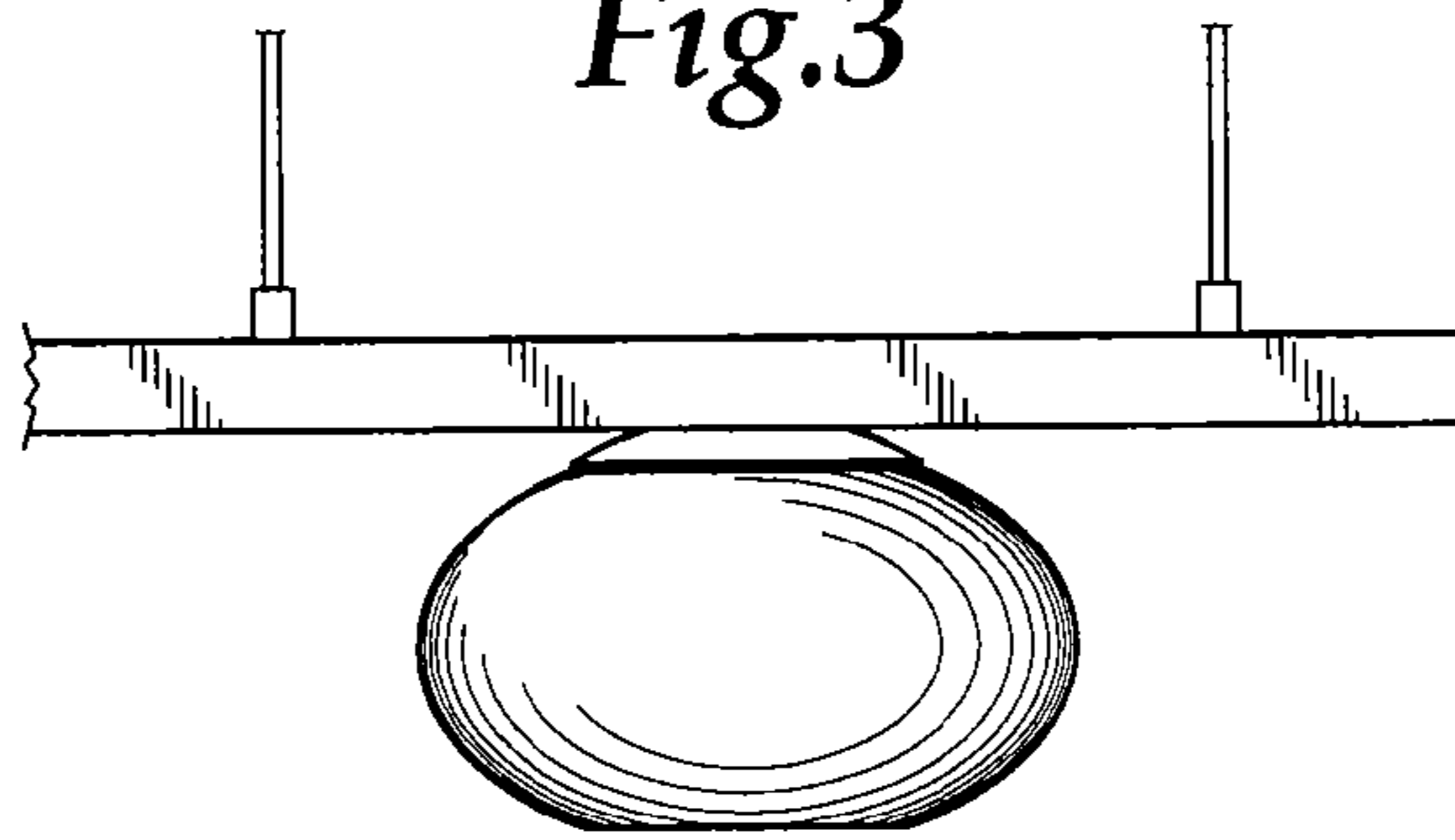


Fig.4

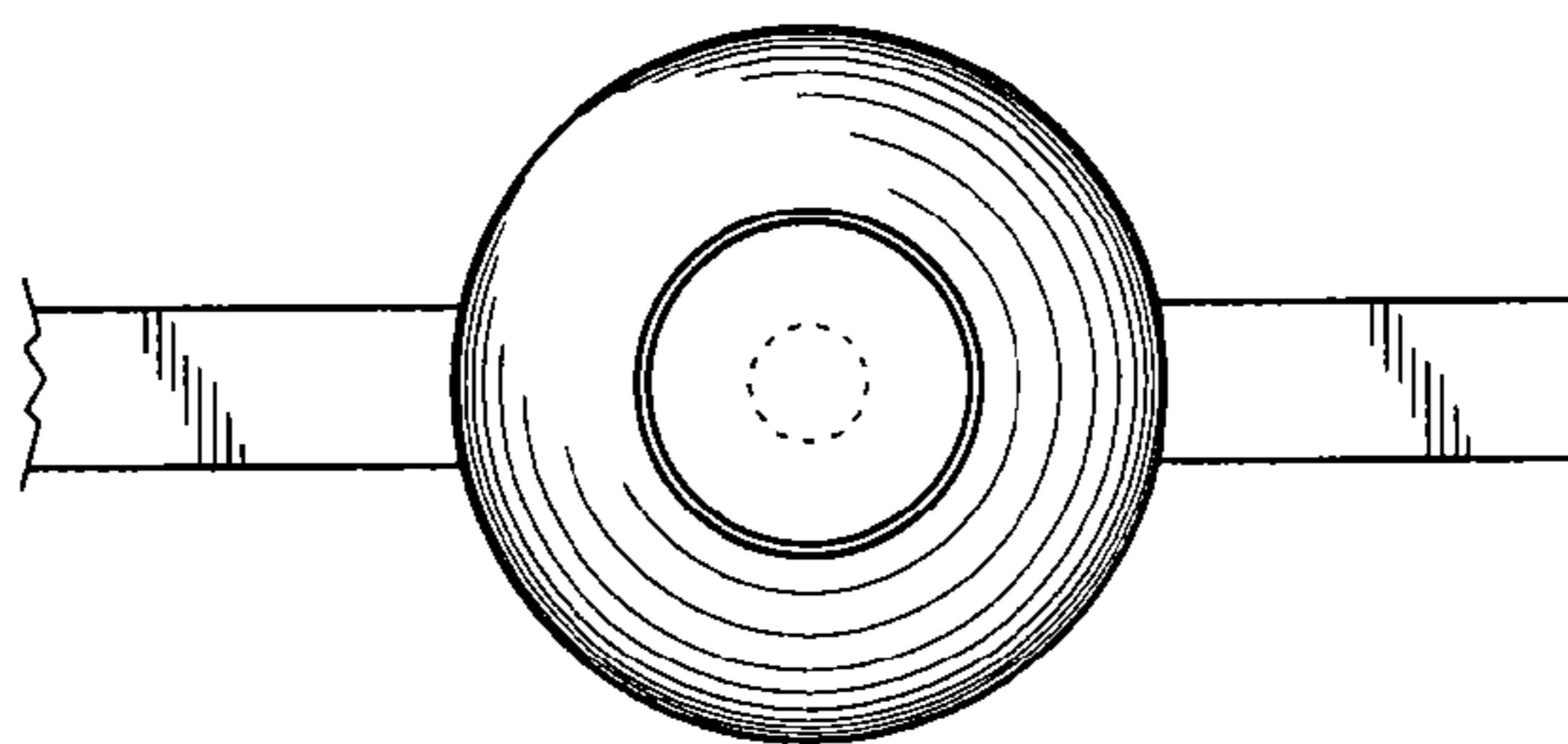


Fig.5