



US00D620630S

(12) **United States Design Patent**  
**Sabernig**

(10) **Patent No.:** **US D620,630 S**  
(45) **Date of Patent:** **\*\* Jul. 27, 2010**

(54) **LIGHT FIXTURE**

(75) Inventor: **Robert Sabernig**, Munster (AT)

(73) Assignee: **EGLO Leuchten GmbH**, Innsbruck (AT)

(\*\*) Term: **14 Years**

(21) Appl. No.: **29/354,923**

(22) Filed: **Jan. 29, 2010**

(51) **LOC (9) Cl.** ..... **26-03**

(52) **U.S. Cl.** ..... **D26/86**

(58) **Field of Classification Search** ..... D26/84-86,  
D26/88-91, 118, 137; 362/147, 404-408,  
362/431, 432

See application file for complete search history.

(56) **References Cited**

**U.S. PATENT DOCUMENTS**

D76,194 S \* 8/1928 Knorr ..... D26/84

(Continued)

**OTHER PUBLICATIONS**

Siena Rio Chrome Large Pendant #3429296 from modernlightinguniverse.com visited on Jun. 16, 2009.(2 pages).\*  
"Ripple" Chandelier from jGood Design brochure created May 8, 2009.\*

*Primary Examiner*—Clare E Heflin

(74) *Attorney, Agent, or Firm*—Baker & McKenzie LLP

(57) **CLAIM**

The ornamental design for a light fixture, as shown and described.

**DESCRIPTION**

FIG. 1 is a perspective view of a light fixture in accordance with my design in a first embodiment;

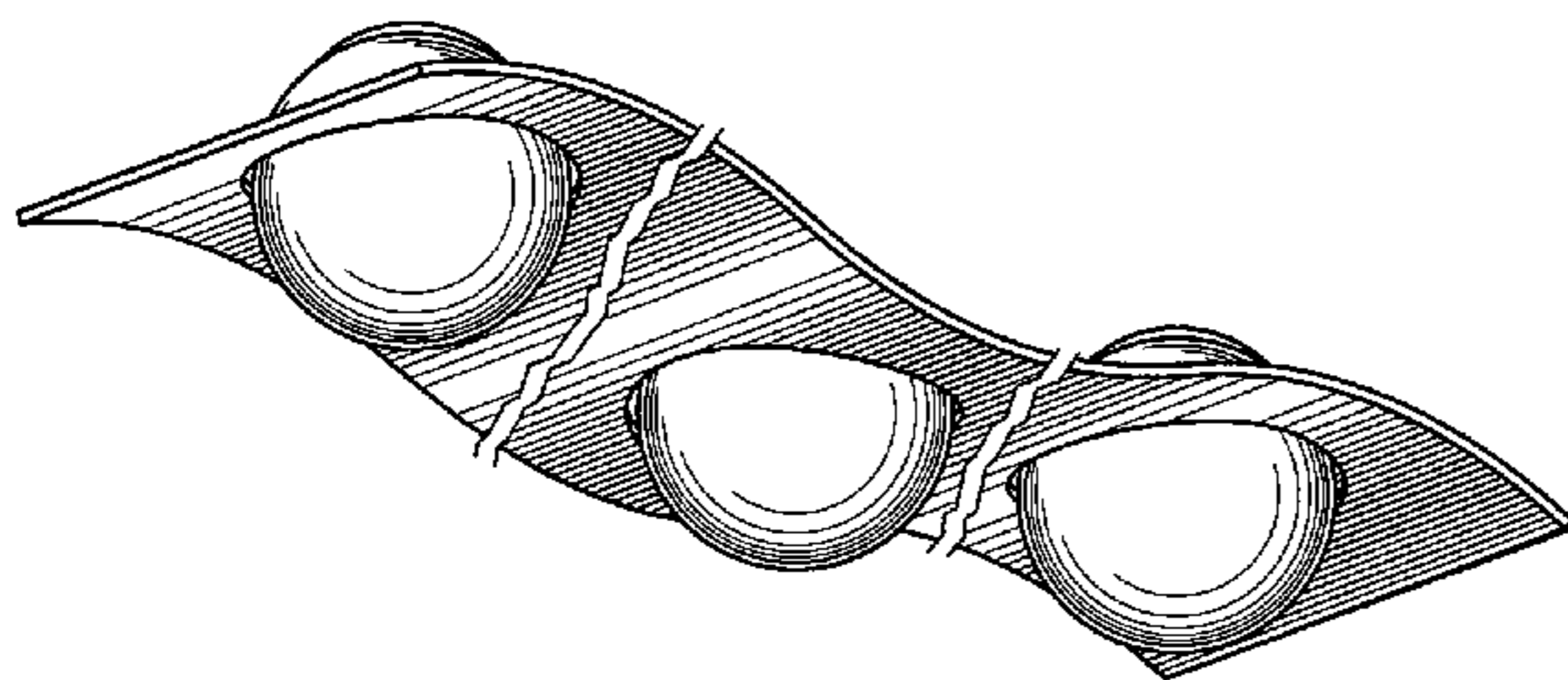


FIG. 2 is top plan view of the light fixture in accordance with my design in the first embodiment;

FIG. 3 is a bottom plan view of the light fixture in accordance with my design in the first embodiment;

FIG. 4 is a side elevation view of the light fixture in accordance with my design in the first embodiment, the opposite view being a mirror image of that shown;

FIG. 5 is a front elevation view of the light fixture in accordance with my design in the first embodiment, the opposite view being a mirror image of that shown;

FIG. 6 is a perspective view of a light fixture in accordance with my design in a second embodiment;

FIG. 7 is a side elevation view of the light fixture in accordance with my design in the second embodiment, the opposite view being a mirror image of that shown;

FIG. 8 is a front elevation view of the light fixture in accordance with my design in the second embodiment, the opposite view being a mirror image of that shown;

FIG. 9 is a top plan view of the light fixture in accordance with my design in the second embodiment;

FIG. 10 is a bottom plan view of the light fixture in accordance with my design in the second embodiment;

FIG. 11 is a perspective view of a light fixture in accordance with my design in a third embodiment;

FIG. 12 is a side elevation view of the light fixture in accordance with my design in the third embodiment;

FIG. 13 is an opposite side elevation view of the light fixture in accordance with my design in the third embodiment;

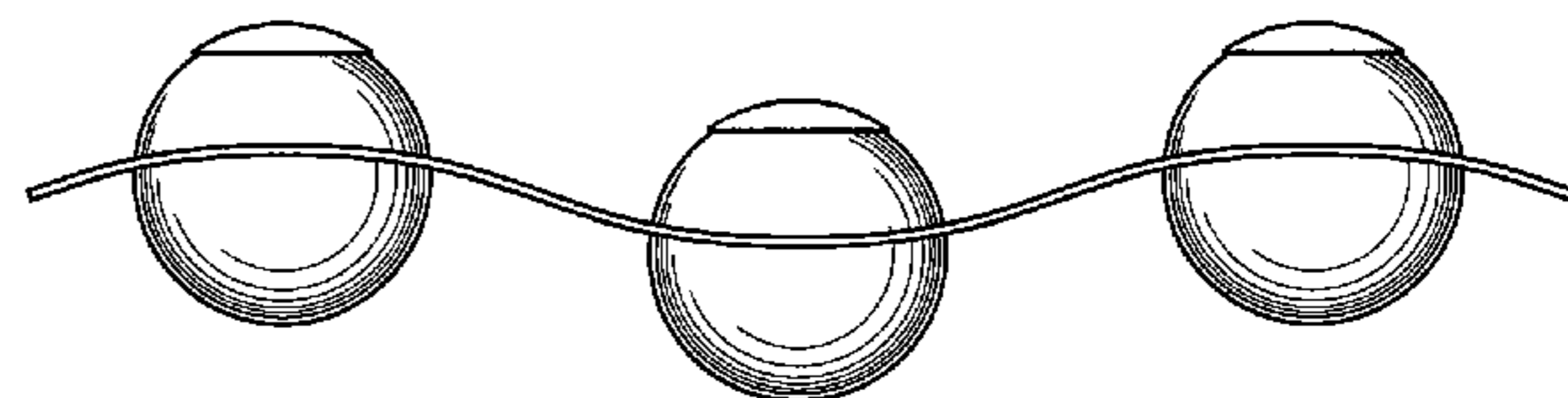
FIG. 14 is a top plan view of the light fixture in accordance with my design in the third embodiment;

FIG. 15 is front elevation view of the light fixture in accordance with my design in the third embodiment, the opposite view being a mirror image of that shown; and,

FIG. 16 is a bottom plan view of the light fixture in accordance with my design in the third embodiment.

The portions of the light fixture shown broken away in FIGS. 1-10 are to depict indeterminate length.

**1 Claim, 4 Drawing Sheets**



# US D620,630 S

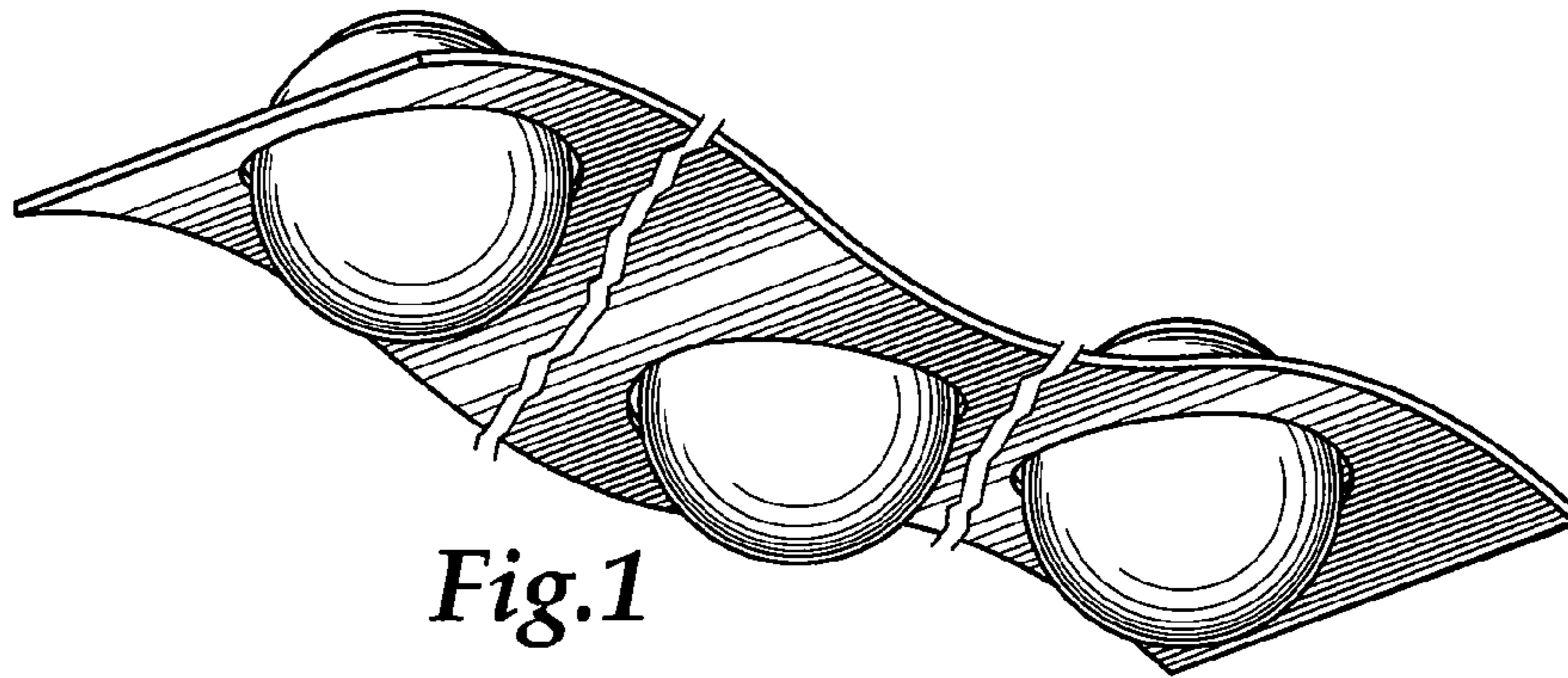
Page 2

---

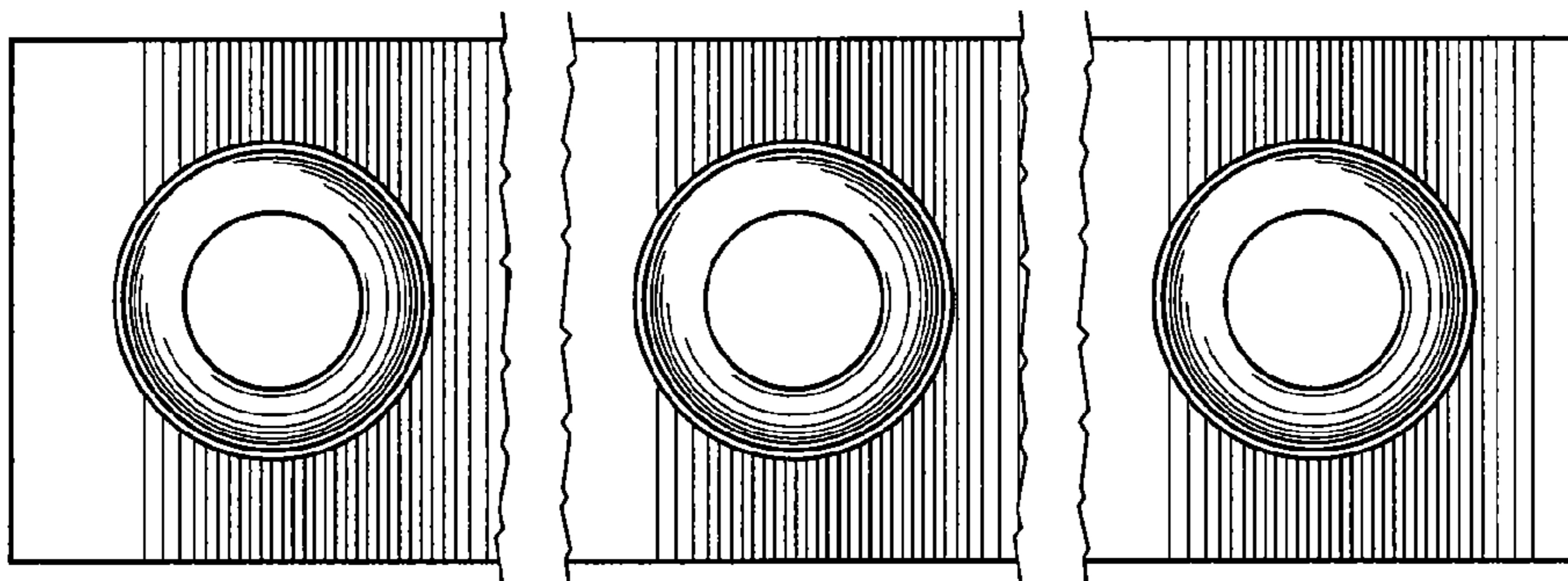
## U.S. PATENT DOCUMENTS

D87,213 S *	6/1932	Hoffman .....	D26/90	D589,640 S *	3/2009	Janssen .....	D26/90
D203,405 S *	1/1966	Crawford .....	D26/90	D604,886 S *	11/2009	Rugee .....	D26/81
D320,465 S *	10/1991	Sonneman .....	D26/86	D605,334 S *	12/2009	Hanser-Strecker .....	D26/88
D510,452 S *	10/2005	Porter .....	D26/80	D606,231 S *	12/2009	Sabernig .....	D26/85
D548,872 S *	8/2007	Dubbeldam et al. ....	D26/85	2008/0007948 A1 *	1/2008	Fenyo .....	362/235

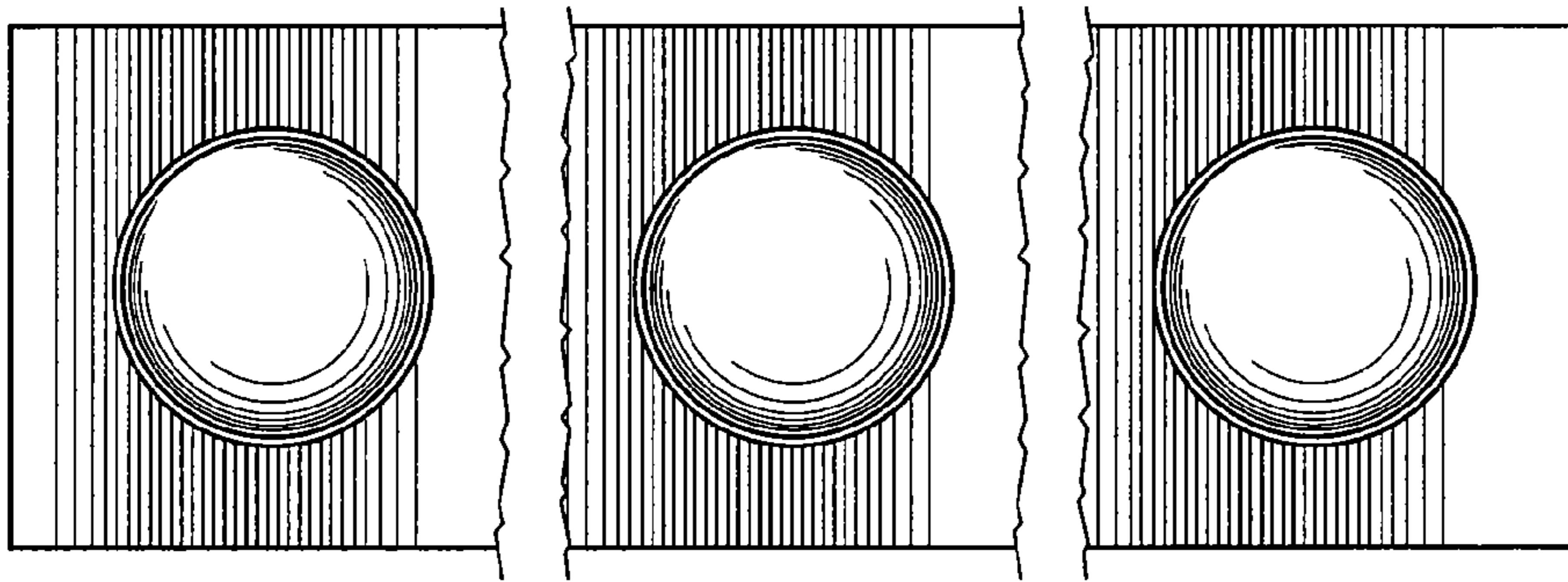
\* cited by examiner



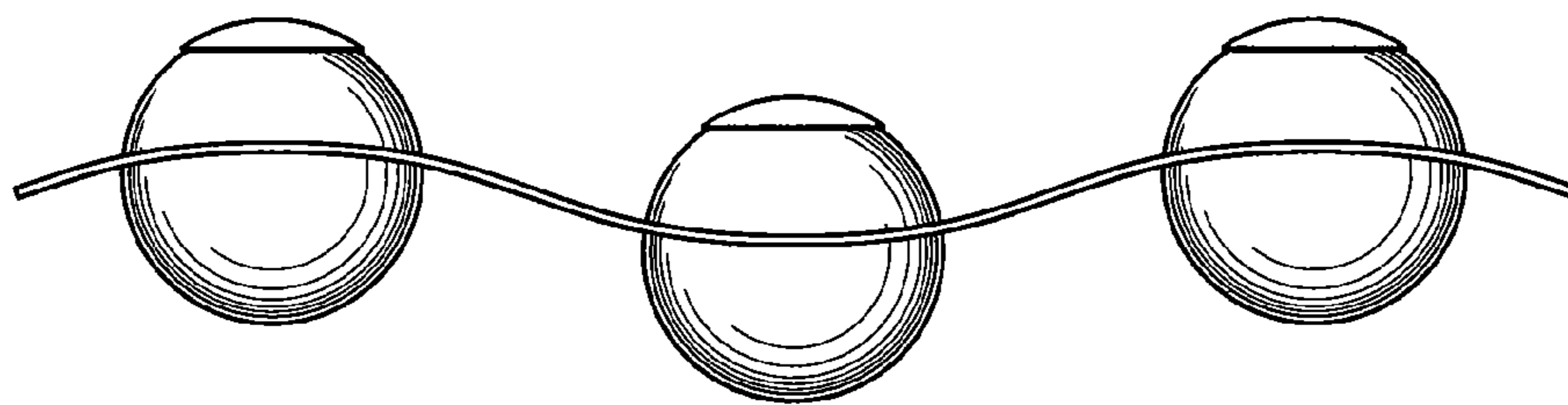
*Fig.1*



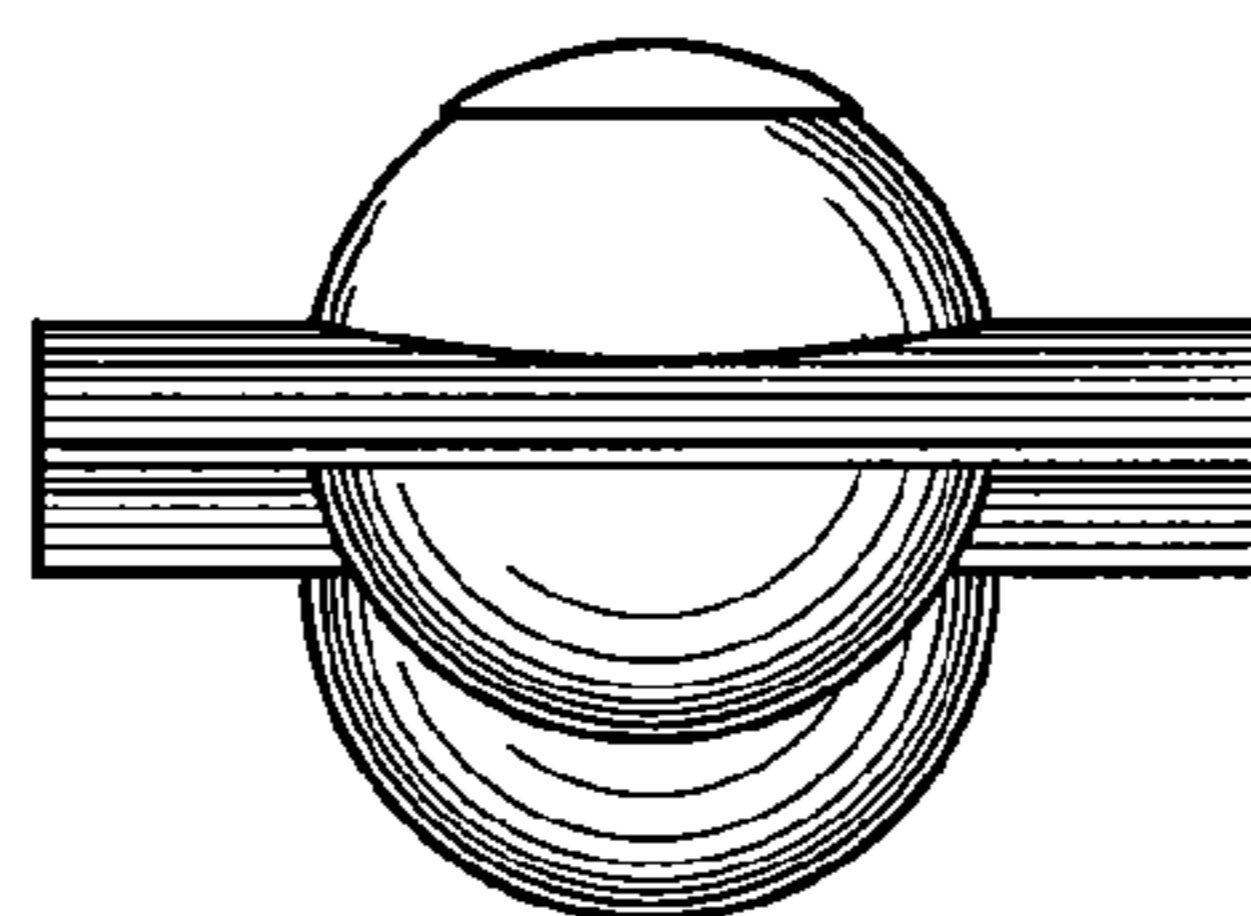
*Fig.2*



*Fig.3*

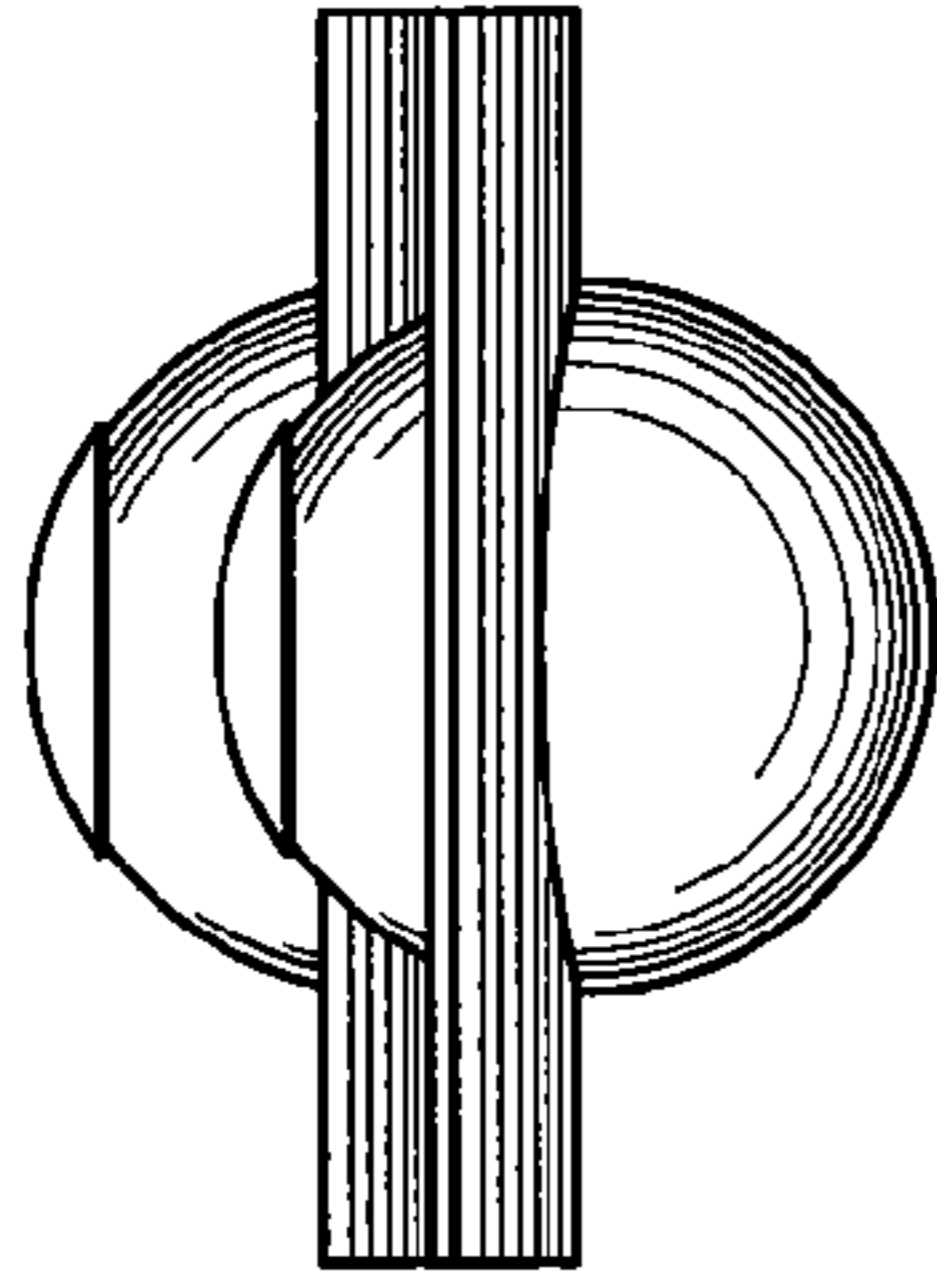


*Fig.4*

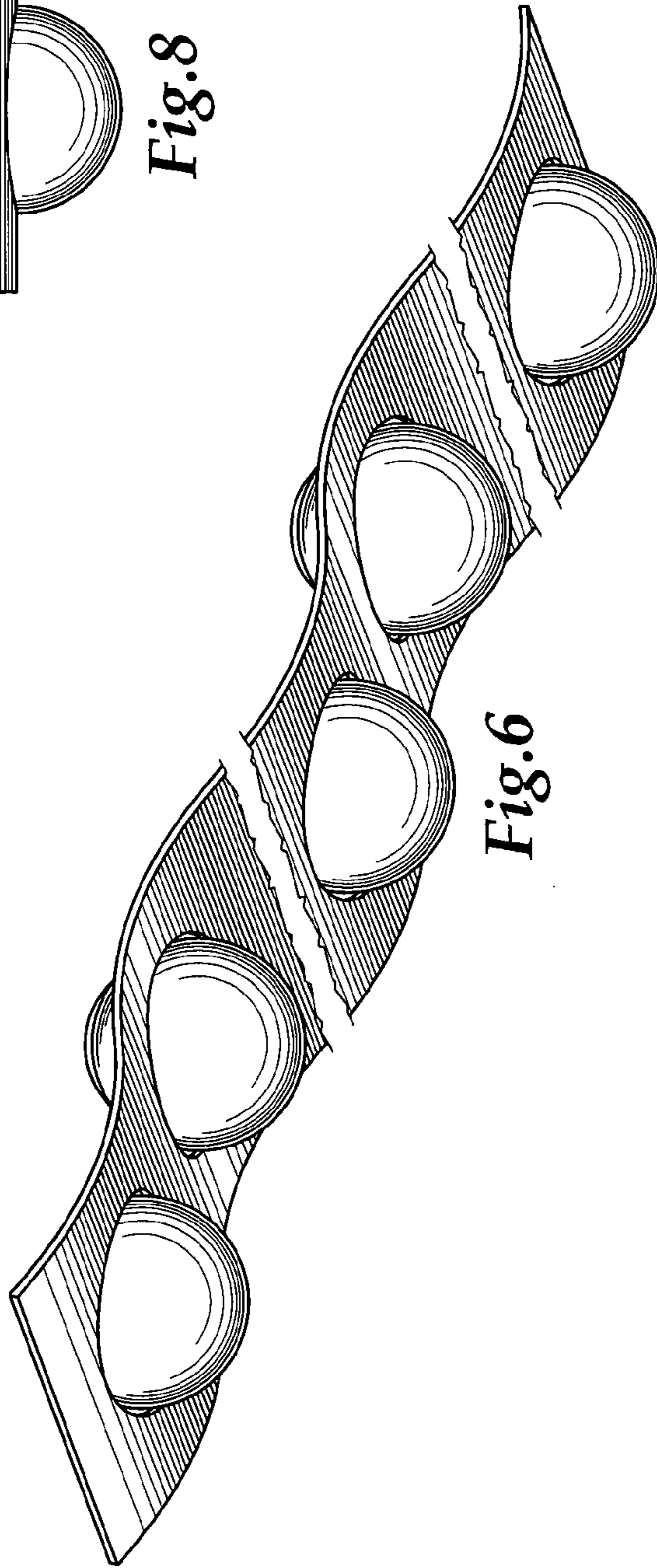


*Fig.5*

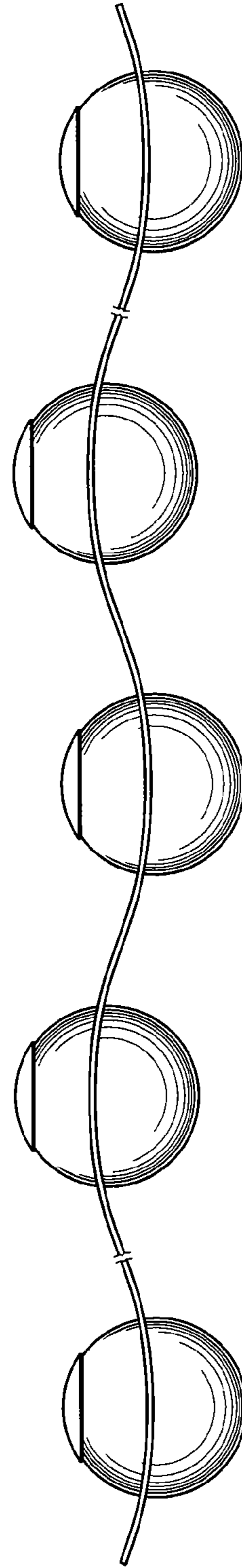




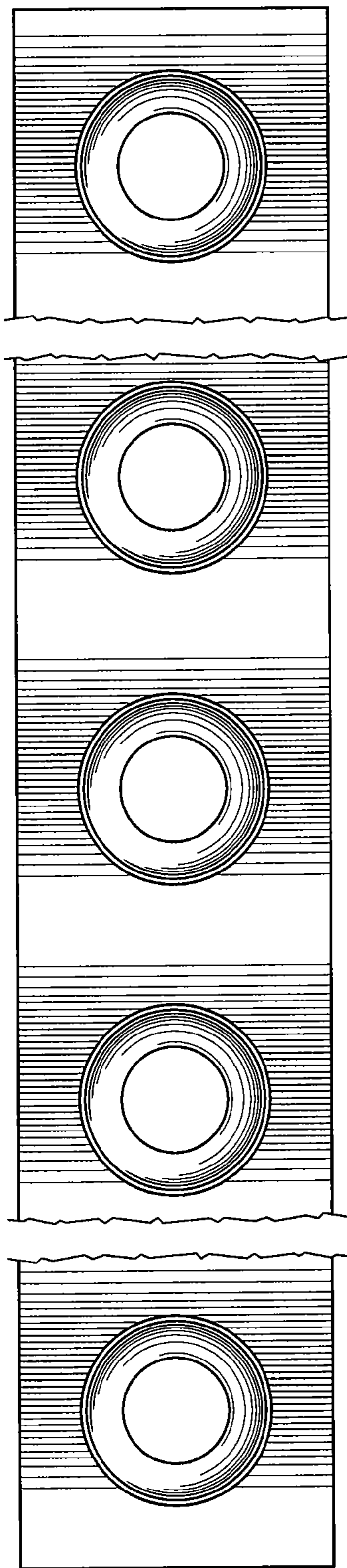
*Fig. 8*



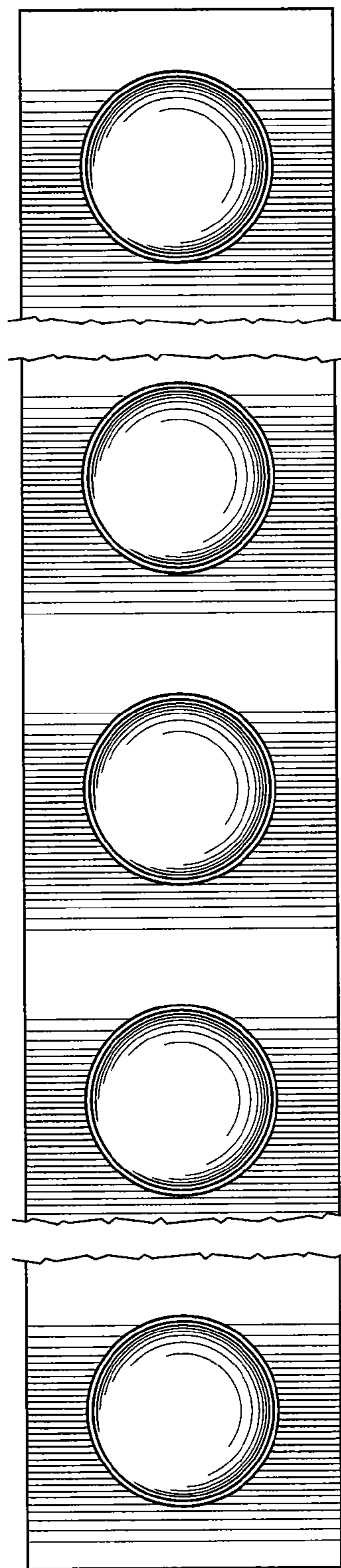
*Fig. 6*



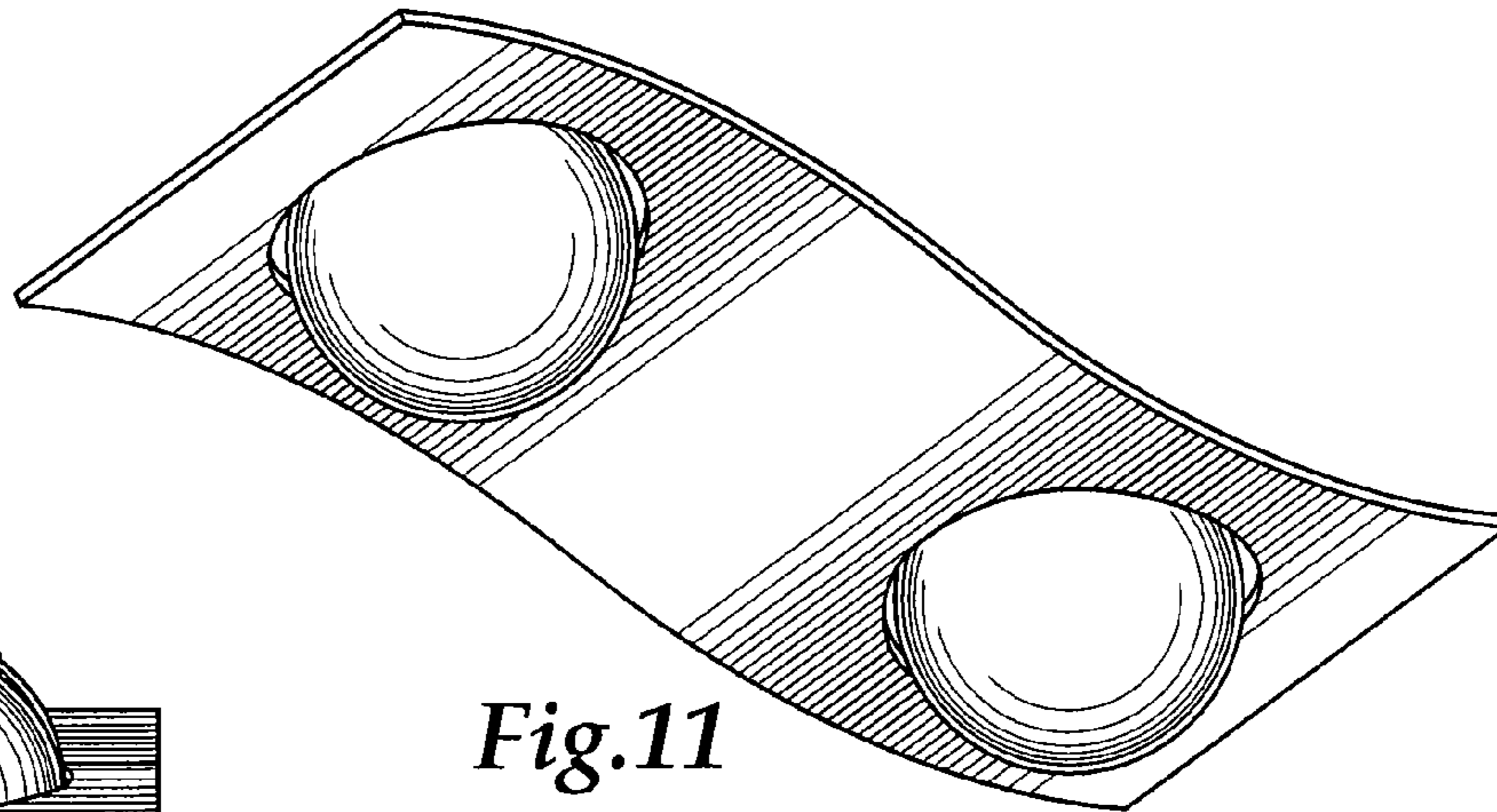
*Fig. 7*



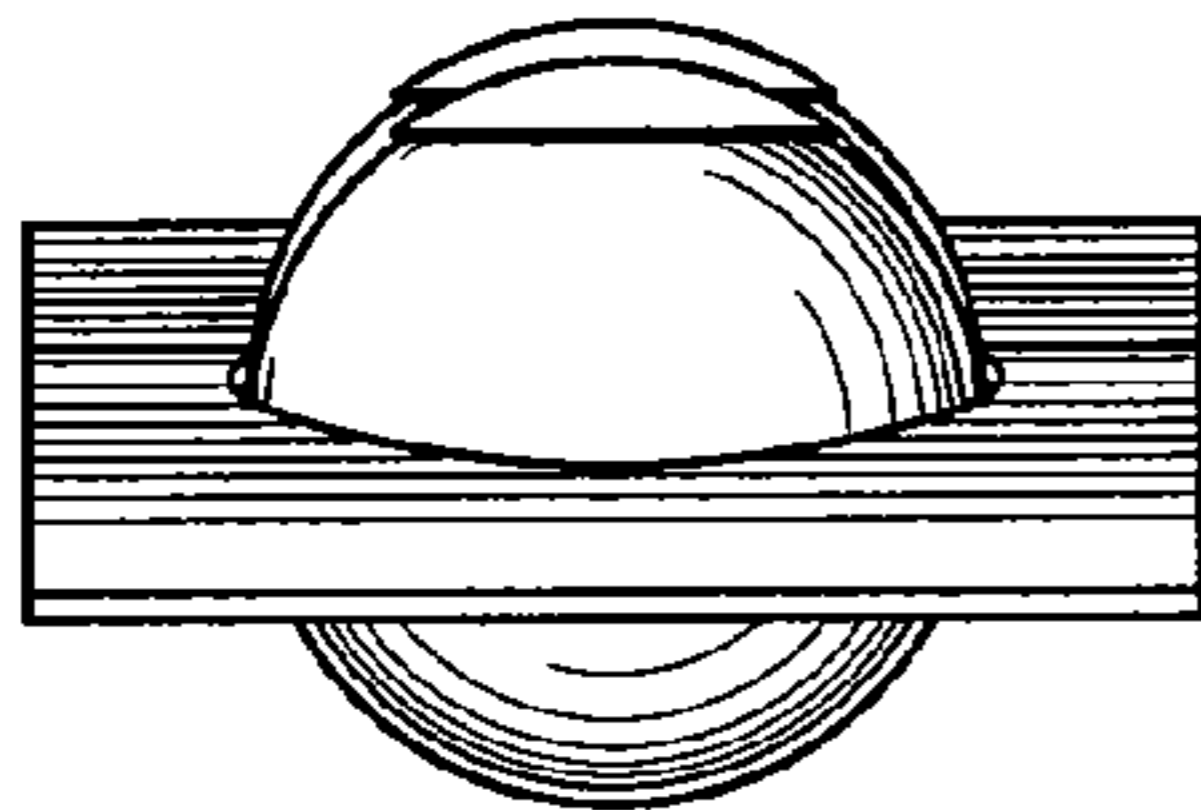
*Fig.9*



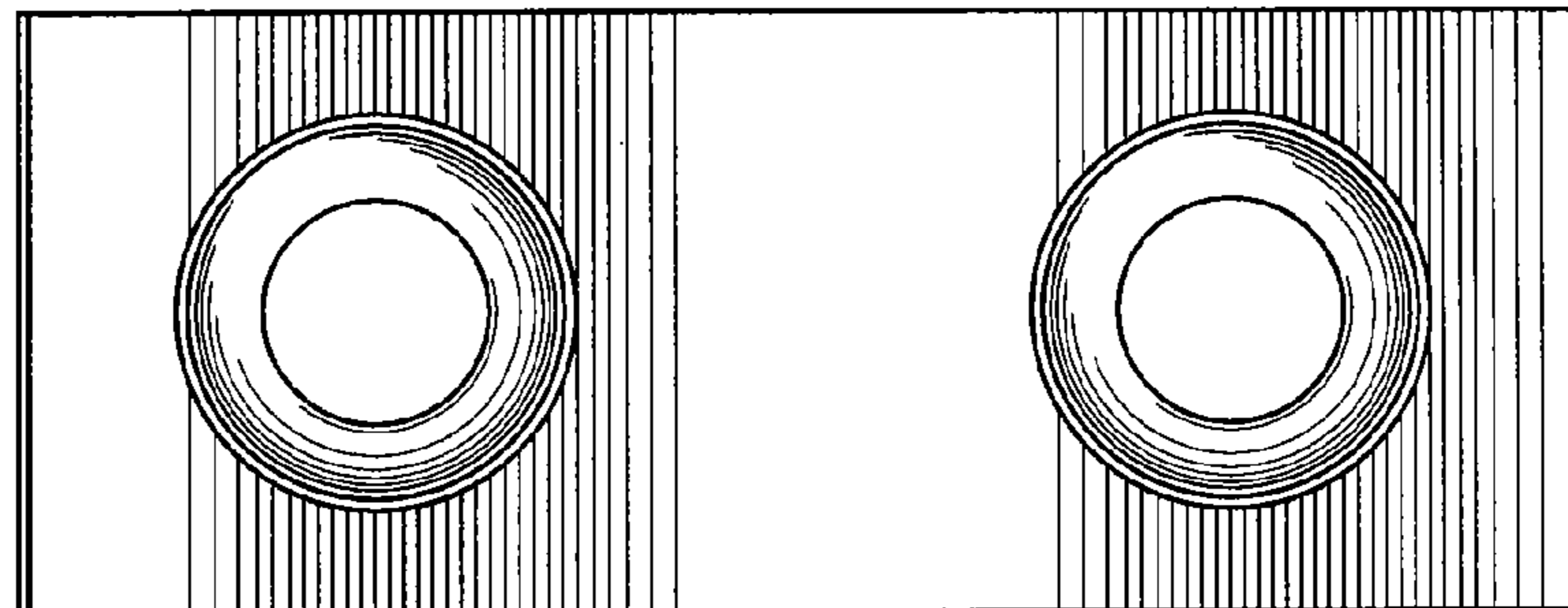
*Fig.10*



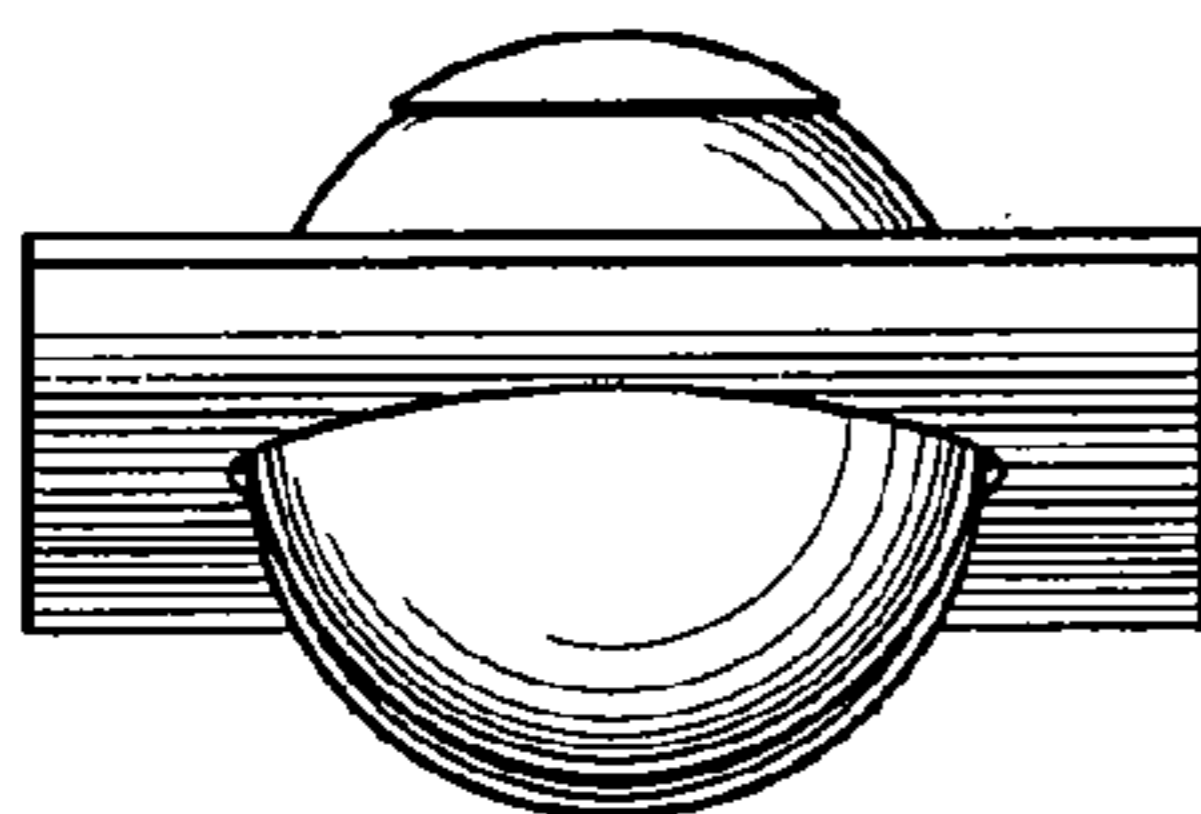
*Fig.11*



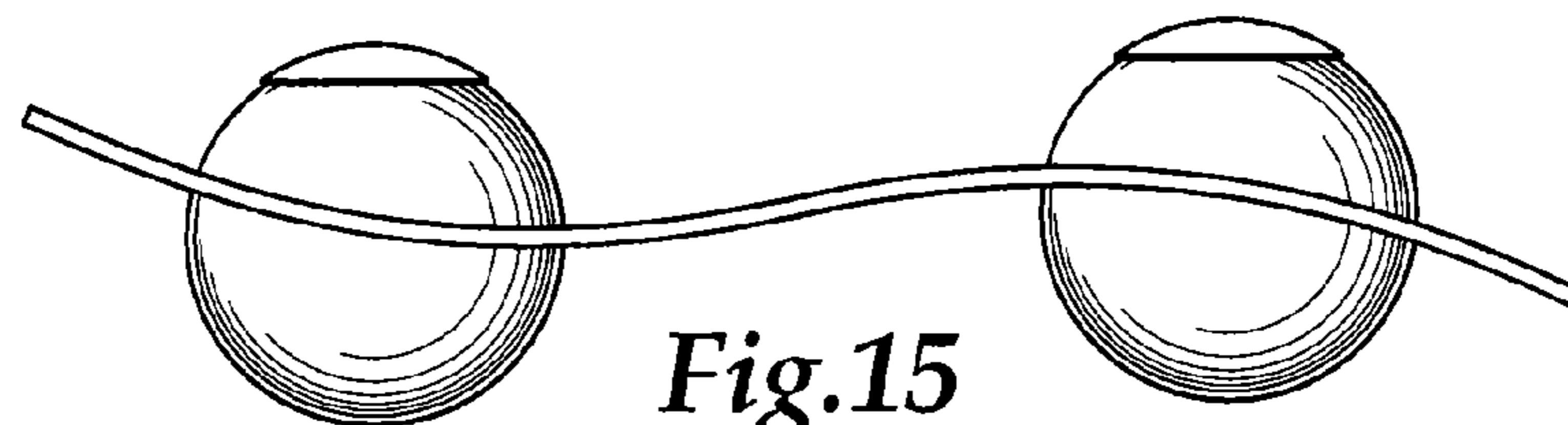
*Fig.12*



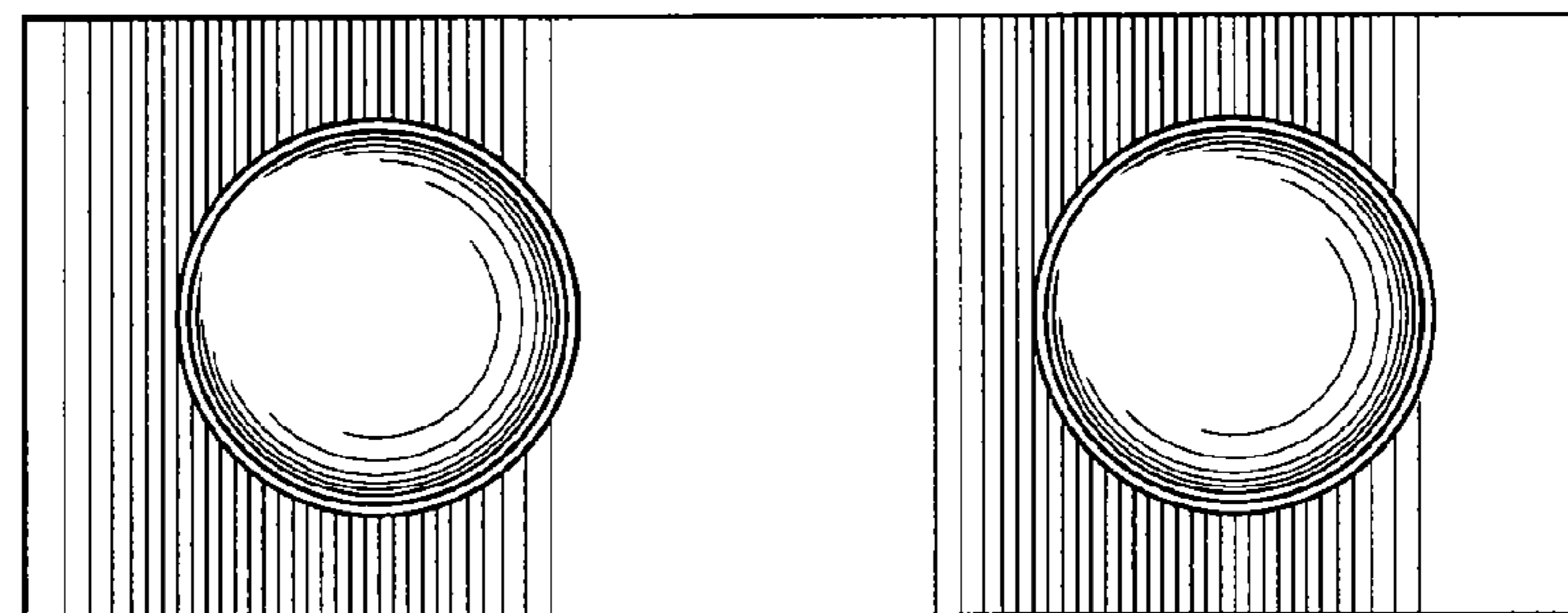
*Fig.14*



*Fig.13*



*Fig.15*



*Fig.16*