



US00D620629S

(12) **United States Design Patent**
Sabernig

(10) **Patent No.:** **US D620,629 S**

(45) **Date of Patent:** **** Jul. 27, 2010**

(54) **LIGHT FIXTURE**

(75) Inventor: **Robert Sabernig**, Munster (AT)

(73) Assignee: **EGLO Leuchten GmbH**, Innsbruck (AT)

(**) Term: **14 Years**

(21) Appl. No.: **29/354,673**

(22) Filed: **Jan. 27, 2010**

(51) **LOC (9) Cl.** **26-03**

(52) **U.S. Cl.** **D26/84; D26/90**

(58) **Field of Classification Search** D26/84-86,
D26/88-91, 118, 137; 362/147, 404-408,
362/431, 432

See application file for complete search history.

(56) **References Cited**

U.S. PATENT DOCUMENTS

977,355	A	*	11/1910	Williams	362/404
D168,738	S	*	2/1953	Friedman	D26/84
D198,539	S	*	6/1964	Freed	D26/70
D314,059	S	*	1/1991	O'Neil	D26/73
D320,465	S	*	10/1991	Sonneman	D26/86
D397,821	S	*	9/1998	Palmari	D26/84
D446,337	S	*	8/2001	Benghozi	D26/86
D563,023	S	*	2/2008	Hetfield et al.	D26/72
D563,024	S	*	2/2008	Hetfield et al.	D26/72
D583,498	S	*	12/2008	Meyer et al.	D26/89

OTHER PUBLICATIONS

“Conus” flushmount fixture #E20663-20 on p. 70; “Frost” pendant #E22002-10 on p. 151; and “Frost” pendant #E22001-10 on p. 152. All from the ET2 Lighting 2007 Catalog. (3 pages).*

“Tromba” Pendants #140-6 and #140-3L on p. 317 of the 2009 ELK Lighting Catalog.*

* cited by examiner

Primary Examiner—Clare E Heflin

(74) *Attorney, Agent, or Firm*—Baker & McKenzie LLP

(57) **CLAIM**

The ornamental design for a light fixture, as shown and described.

DESCRIPTION

FIG. 1 is a perspective view of a light fixture in accordance with my design;

FIG. 2 is a front elevation view of the light fixture in accordance with my design;

FIG. 3 is a back elevation view of the light fixture in accordance with my design;

FIG. 4 is a bottom plan view of the light fixture in accordance with my design;

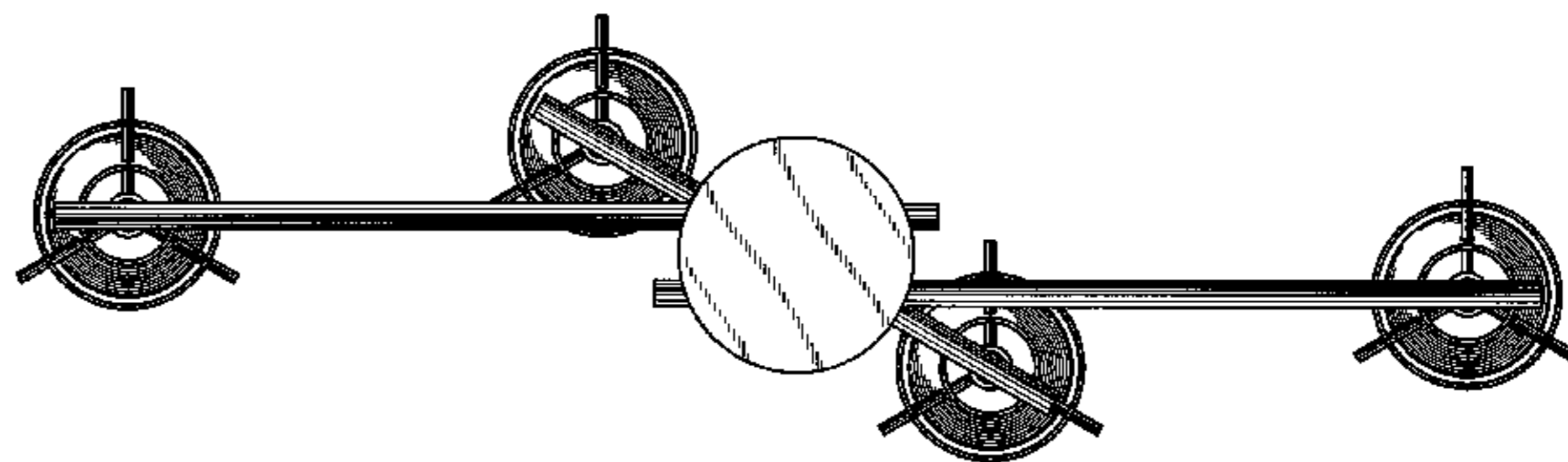
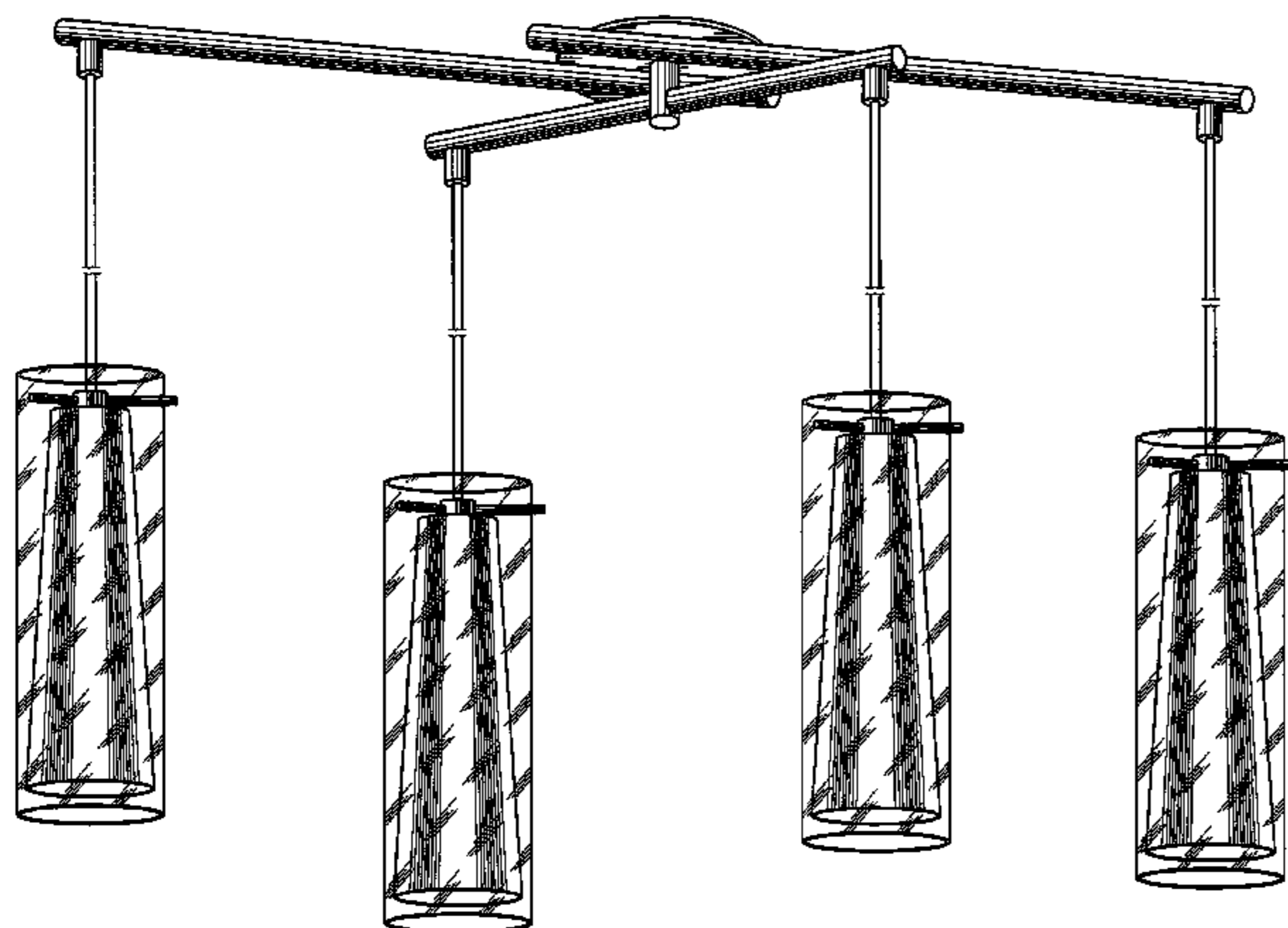
FIG. 5 is a top plan view of the light fixture in accordance with my design;

FIG. 6 is a side elevation view of the light fixture in accordance with my design; and,

FIG. 7 is an opposite side elevation view of the light fixture in accordance with my design.

The portions of the light fixture shown broken away in FIGS. 1-3 and 6-7 are to depict indeterminate length.

1 Claim, 5 Drawing Sheets



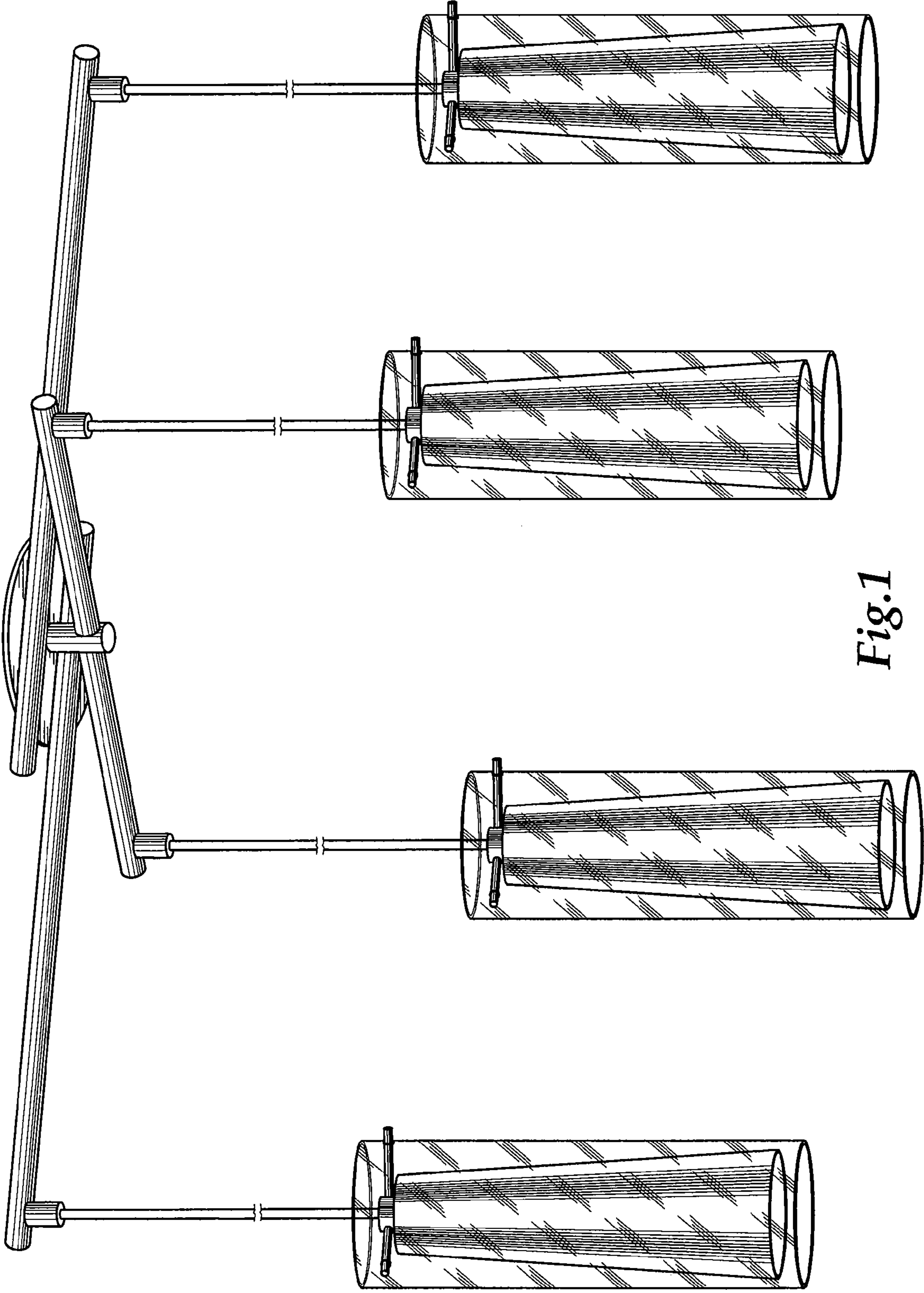


Fig. 1

Fig.2

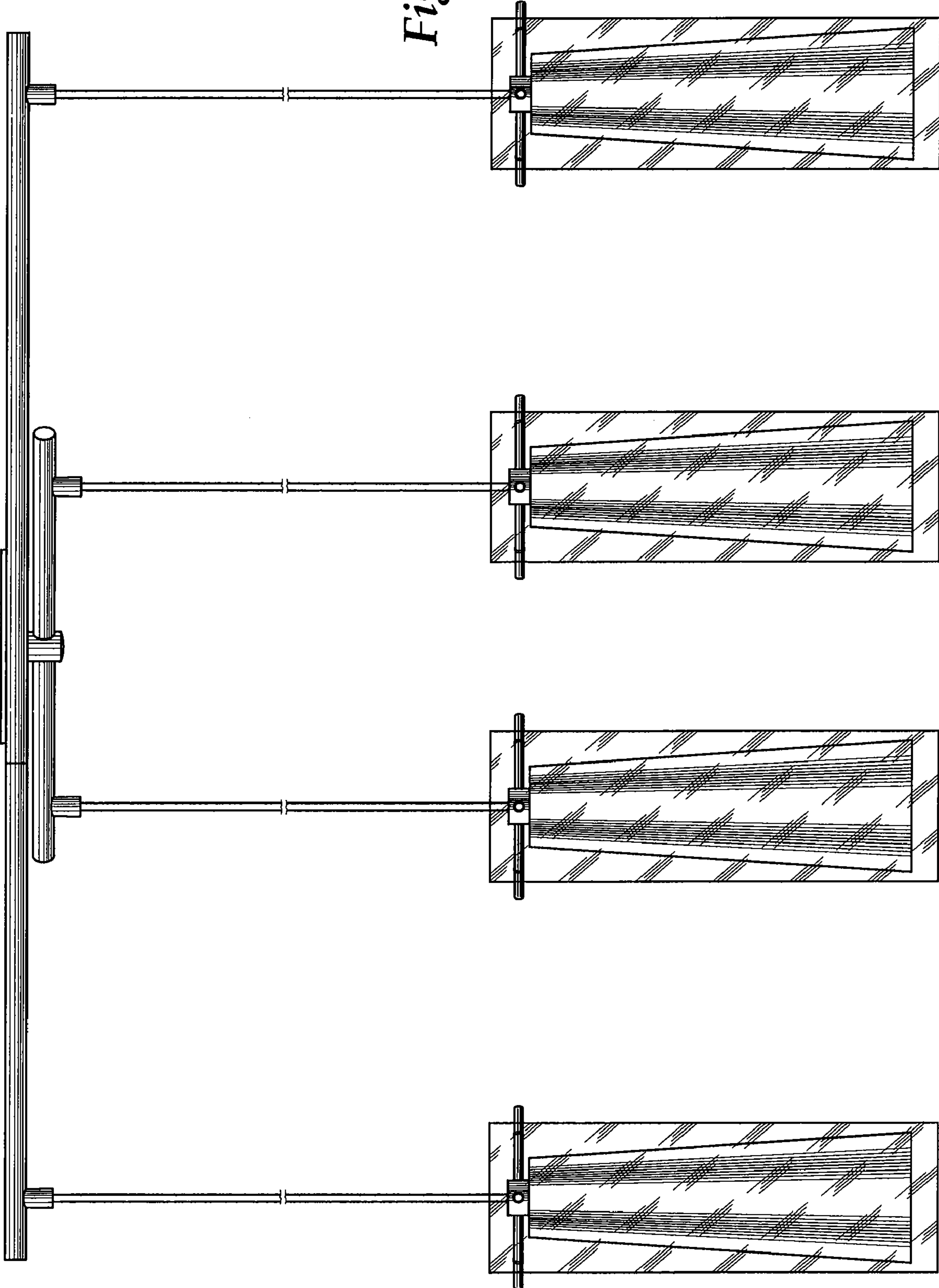
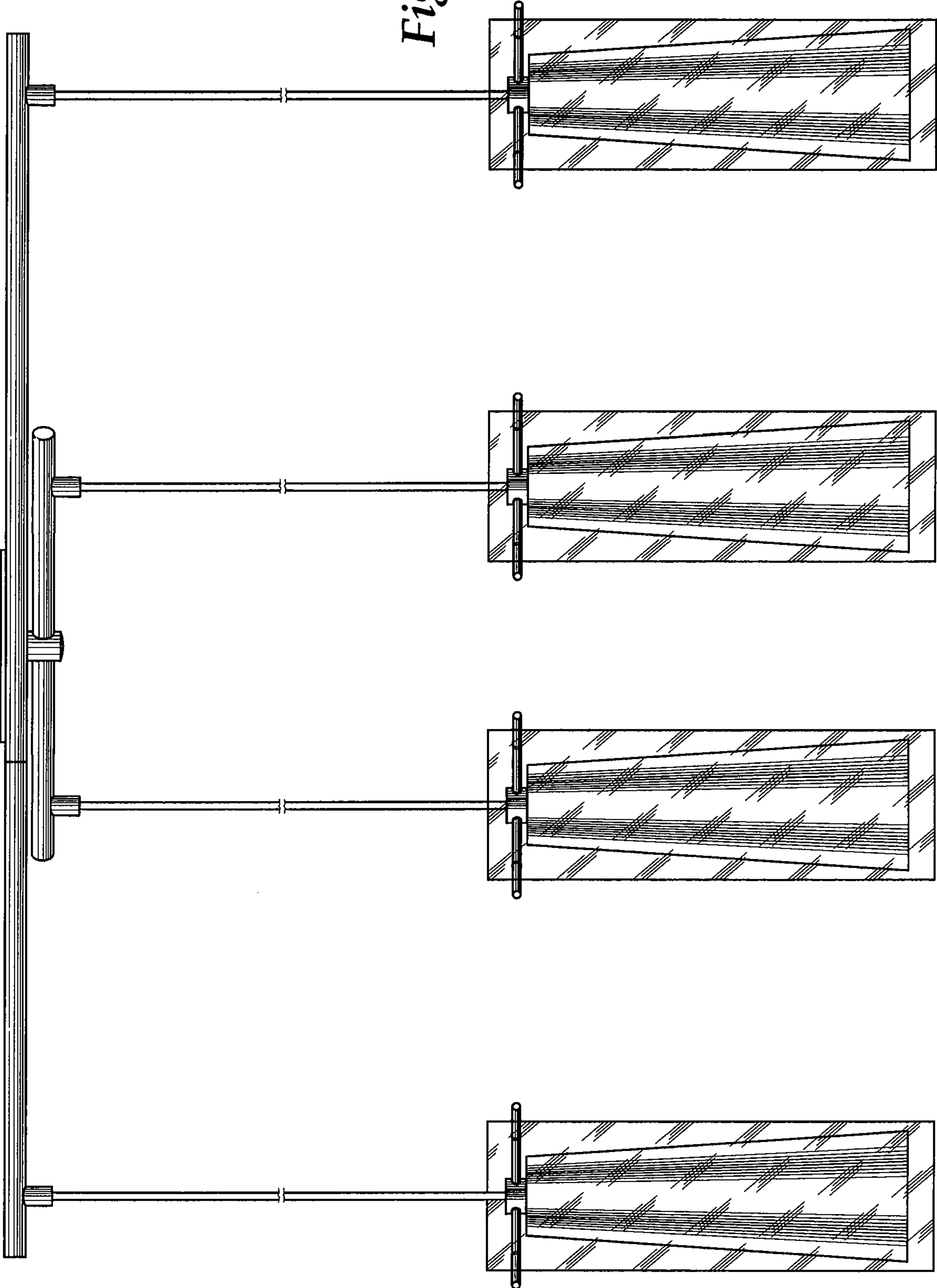


Fig.3



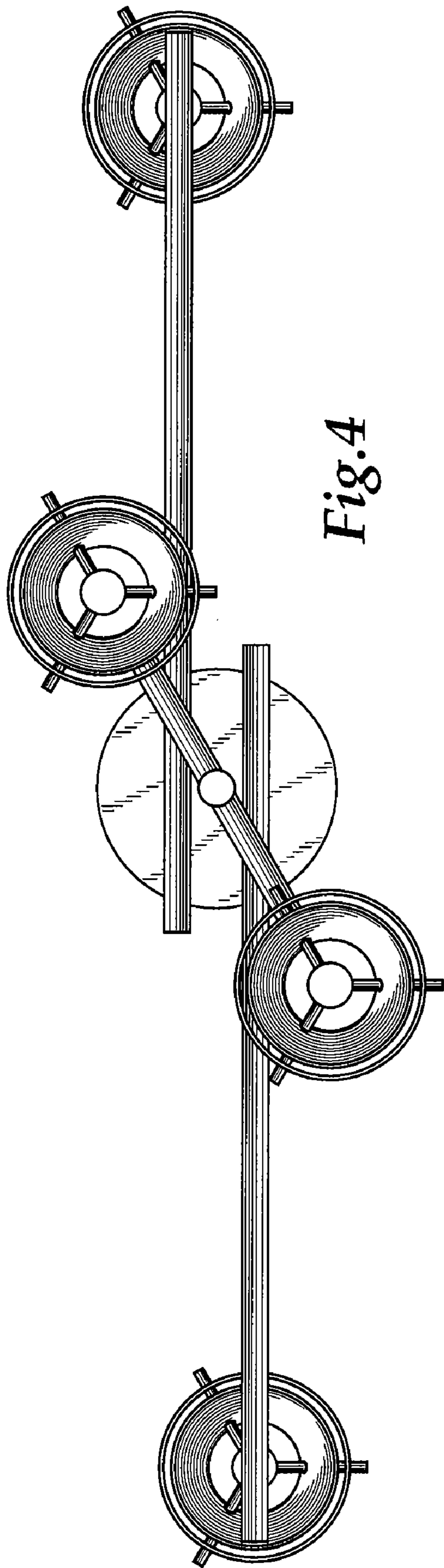


Fig. 4

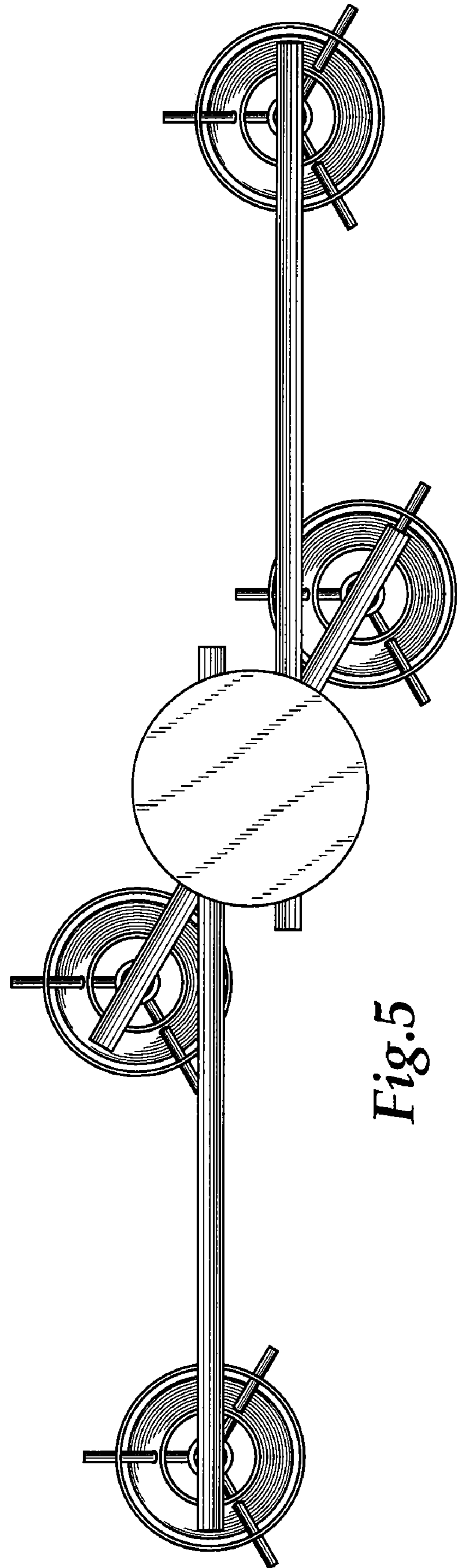


Fig. 5

