

US00D620627S

(12) **United States Design Patent**  
**Kovacik et al.**

(10) **Patent No.:** **US D620,627 S**  
(45) **Date of Patent:** **\*\* Jul. 27, 2010**

(54) **WORK LIGHT**

(75) Inventors: **James D. Kovacik**, Breckville, OH  
(US); **Paul S. Blanch**, Broadview  
Heights, OH (US)

(73) Assignee: **Alert Safety Lite Products Co., Inc.**,  
Bedford Heights, OH (US)

(\*\*) Term: **14 Years**

(21) Appl. No.: **29/351,489**

(22) Filed: **Dec. 7, 2009**

(51) **LOC (9) Cl.** ..... **26-02**

(52) **U.S. Cl.** ..... **D26/42**

(58) **Field of Classification Search** ..... D26/37,  
D26/38, 39, 42, 46, 49, 50; 362/157, 158,  
362/183, 184, 187-196, 200-208, 396  
See application file for complete search history.

(56) **References Cited**

**U.S. PATENT DOCUMENTS**

|              |         |                   |        |
|--------------|---------|-------------------|--------|
| D389,931 S   | 1/1998  | Kovacik et al.    |        |
| 5,921,658 A  | 7/1999  | Kovacik et al.    |        |
| D458,400 S   | 6/2002  | Kovacik et al.    |        |
| 6,663,265 B2 | 12/2003 | Kovacik et al.    |        |
| 6,722,774 B2 | 4/2004  | Kovacik et al.    |        |
| D501,687 S   | 2/2005  | Kovacik et al.    |        |
| D501,688 S   | 2/2005  | Kovacik et al.    |        |
| D502,276 S   | 2/2005  | Kovacik et al.    |        |
| D505,217 S * | 5/2005  | Bayat et al. .... | D26/42 |
| D509,010 S   | 8/2005  | Kovacik et al.    |        |
| D527,478 S   | 8/2006  | Kovacik et al.    |        |
| 7,090,381 B2 | 8/2006  | Kovacik et al.    |        |

|              |         |                      |        |
|--------------|---------|----------------------|--------|
| D528,240 S   | 9/2006  | Kovacik et al.       |        |
| 7,175,303 B2 | 2/2007  | Kovacik et al.       |        |
| D538,456 S * | 3/2007  | Trigiani et al. .... | D26/42 |
| D538,457 S * | 3/2007  | Kovacik et al. ....  | D26/42 |
| D540,484 S * | 4/2007  | Bayat et al. ....    | D26/42 |
| D548,382 S * | 8/2007  | Akerberg .....       | D26/42 |
| 7,325,944 B2 | 2/2008  | Kovacik et al.       |        |
| 7,338,189 B2 | 3/2008  | Kovacik et al.       |        |
| D567,977 S * | 4/2008  | Jianwei .....        | D26/42 |
| D567,978 S * | 4/2008  | Jianwei .....        | D26/42 |
| 7,527,392 B2 | 5/2009  | Kovacik et al.       |        |
| D606,218 S * | 12/2009 | Jiang .....          | D26/42 |
| D611,179 S * | 3/2010  | Jiang .....          | D26/42 |

\* cited by examiner

*Primary Examiner*—Ian Simmons

*Assistant Examiner*—Carissa C Fitts

(74) *Attorney, Agent, or Firm*—Fraser Clemens Martin &  
Miller LLC; William J. Clemens

(57) **CLAIM**

The ornamental design for a work light, as shown.

**DESCRIPTION**

FIG. 1 is a front perspective view of a work light of the present invention;

FIG. 2 is a front elevation view thereof;

FIG. 3 is a rear elevation view thereof;

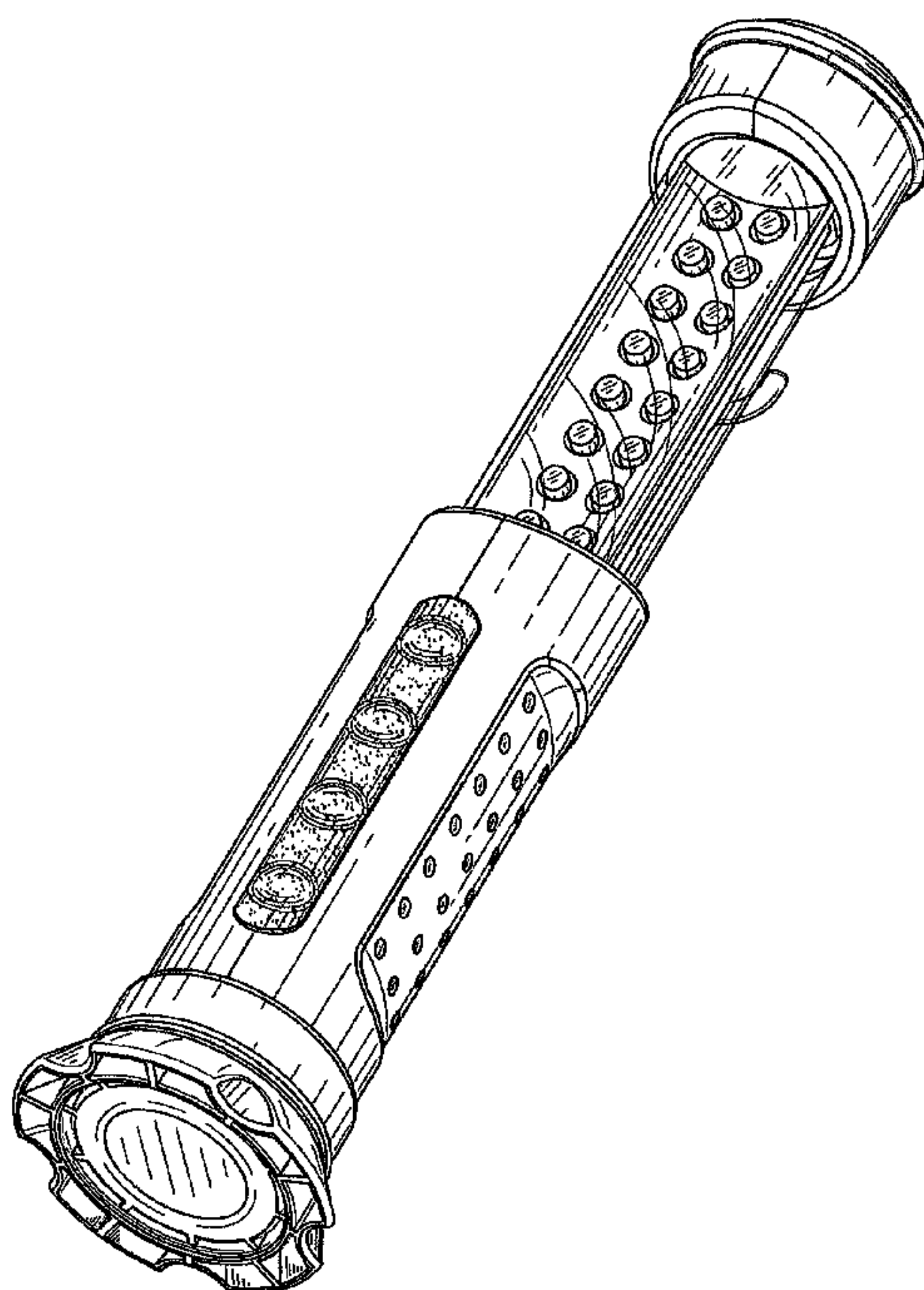
FIG. 4 is a top plan view thereof;

FIG. 5 is a bottom plan view thereof;

FIG. 6 is a right side elevation view thereof; and,

FIG. 7 is a left side elevation view thereof.

**1 Claim, 4 Drawing Sheets**



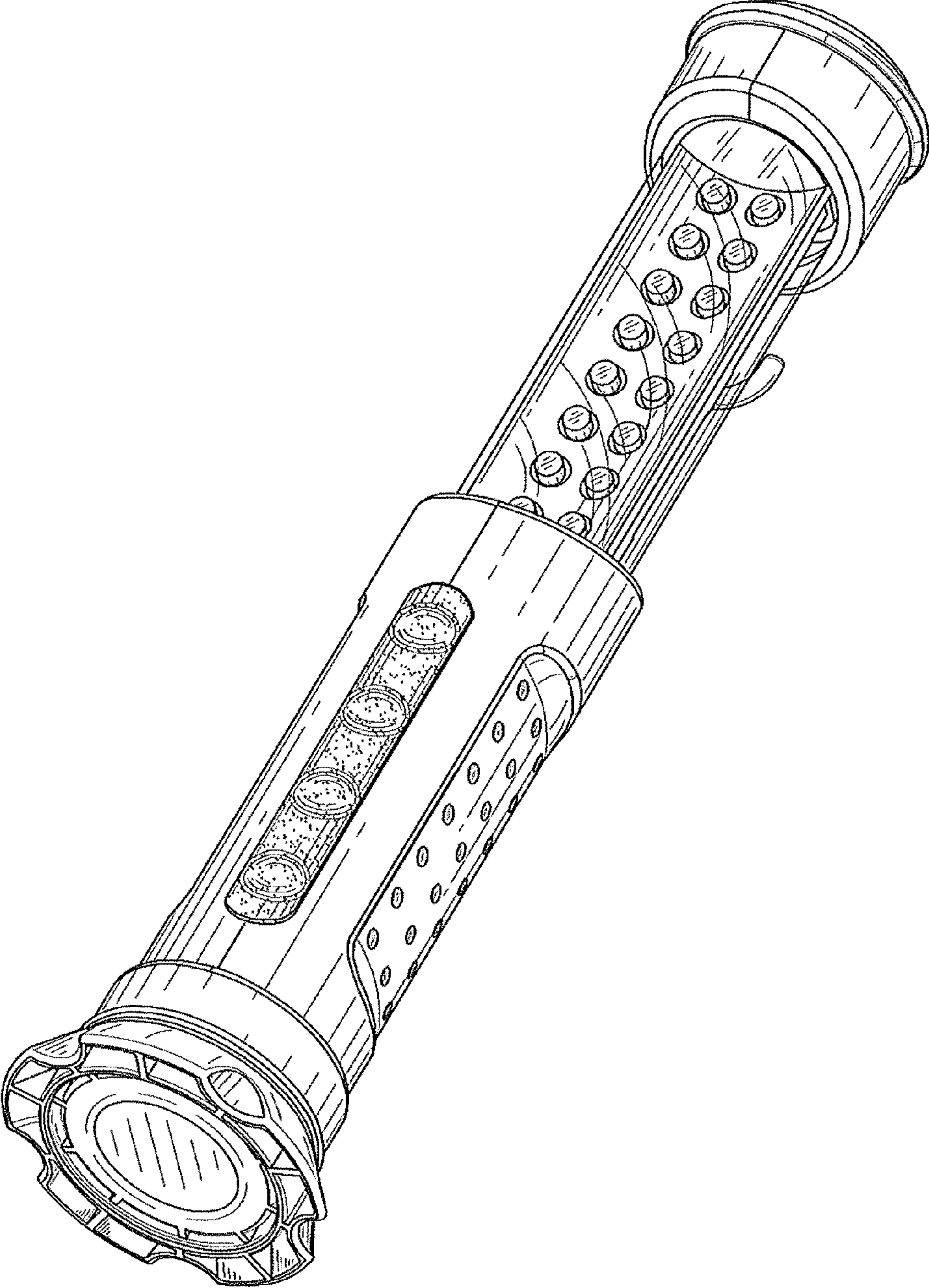


FIG. 1



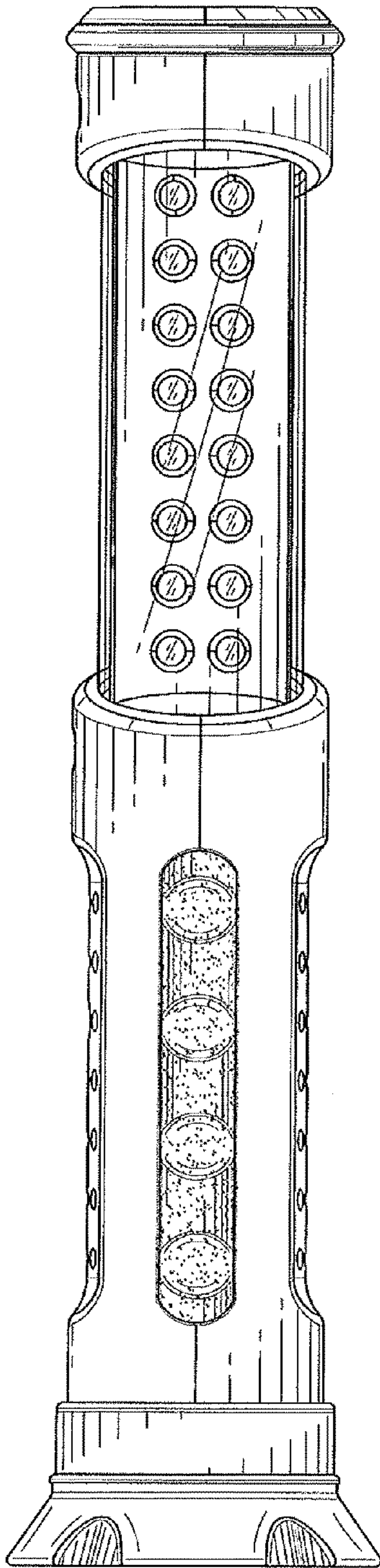


FIG. 2

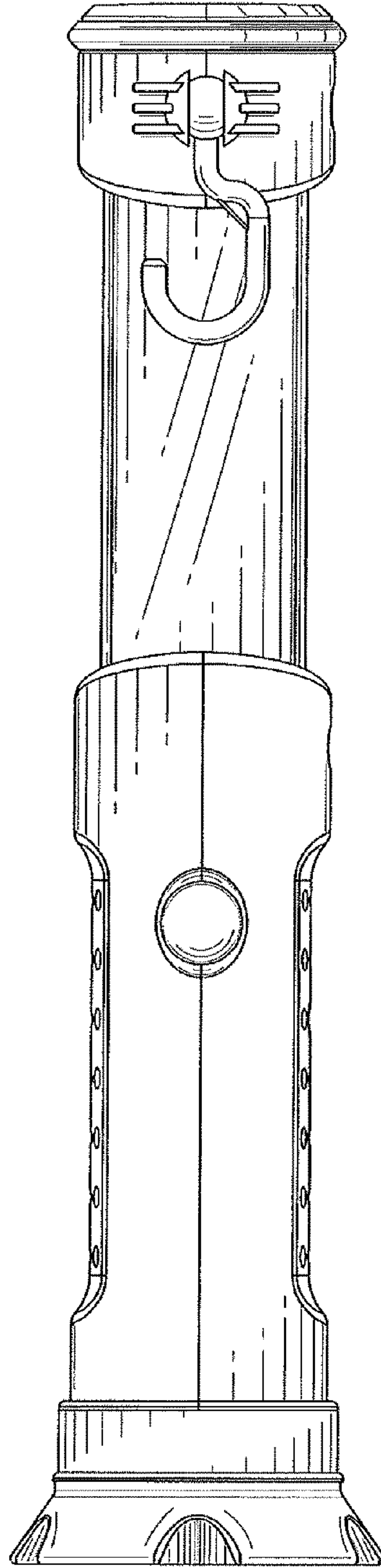


FIG. 3

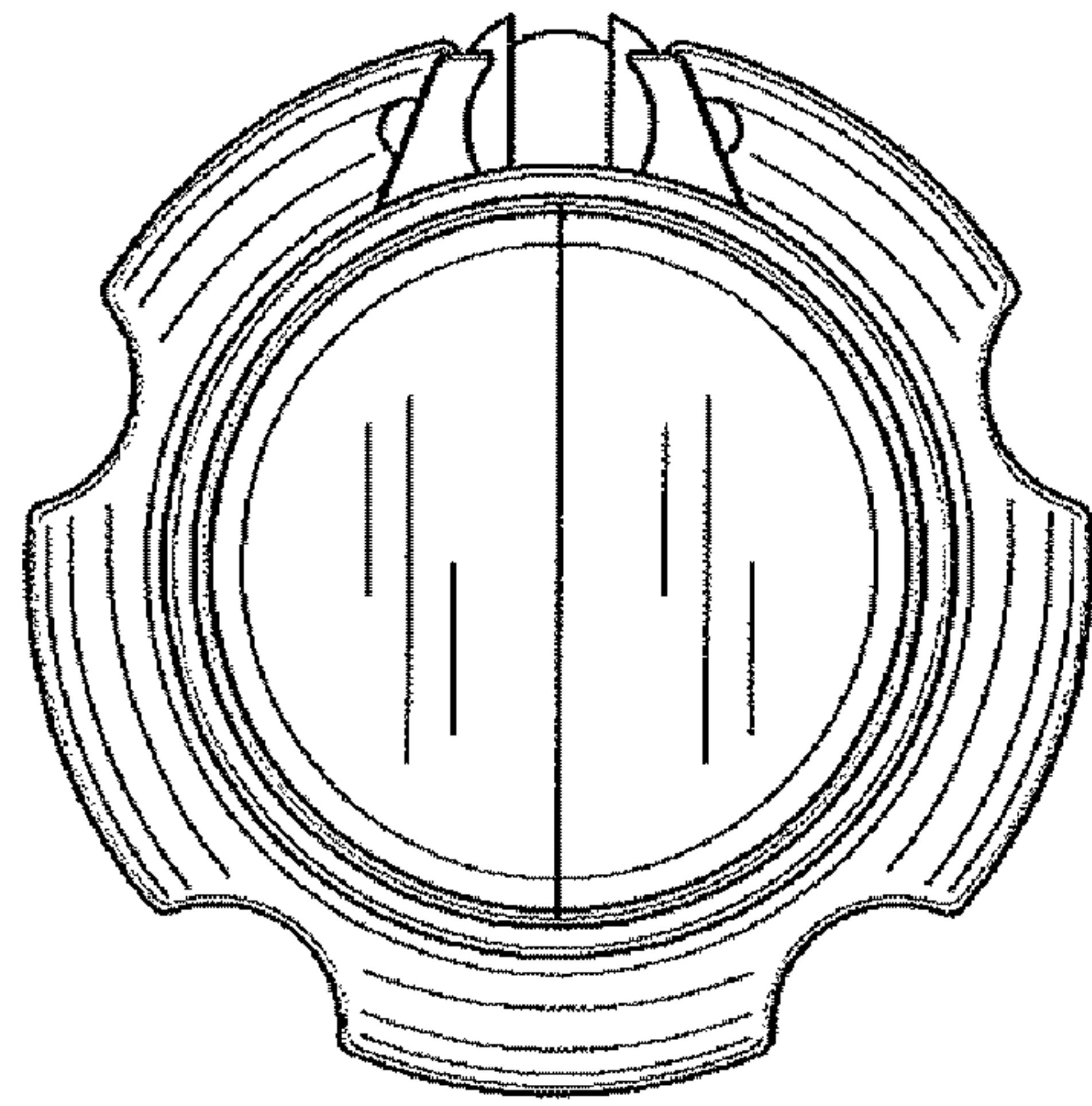


FIG. 4

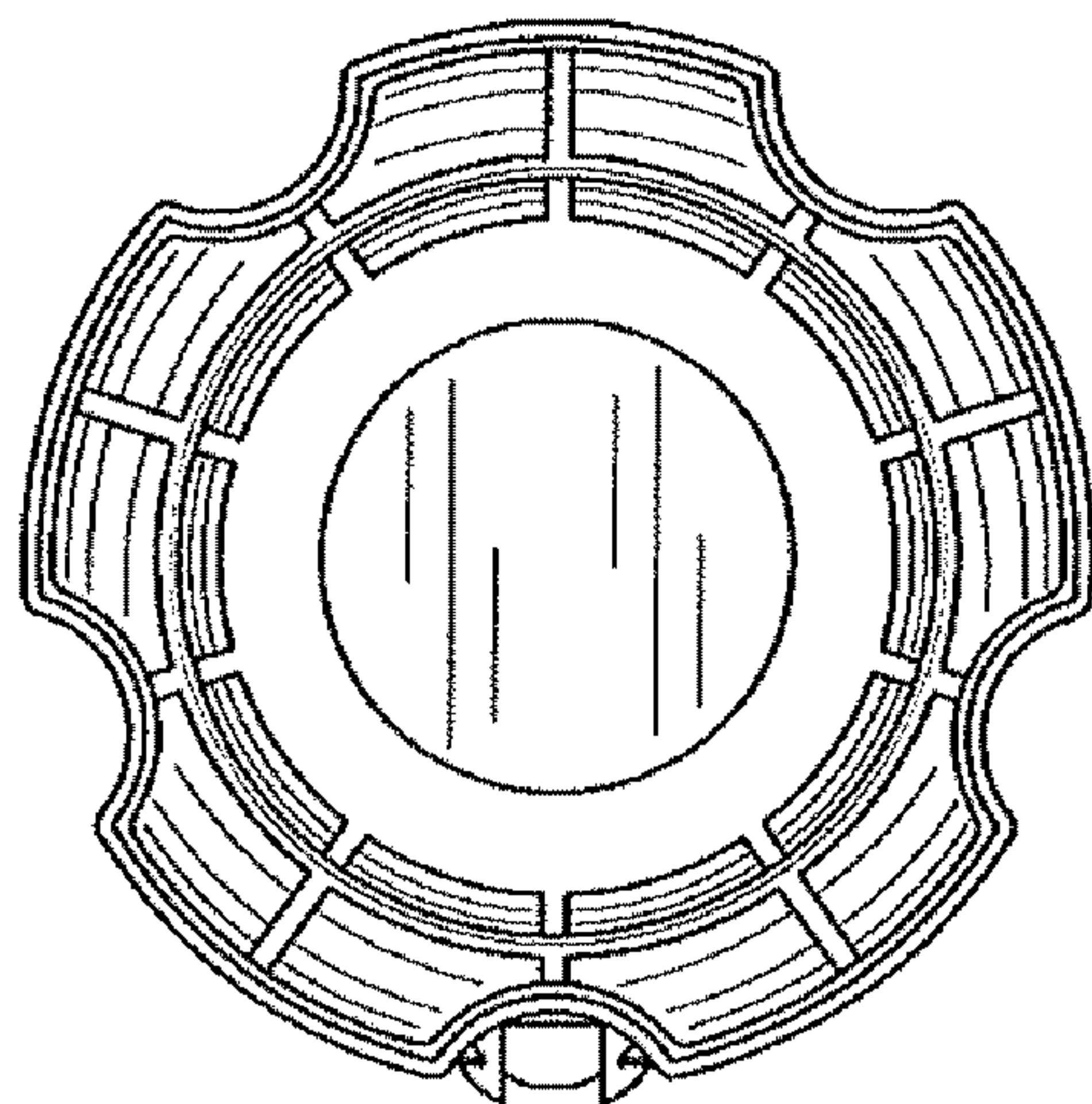


FIG. 5



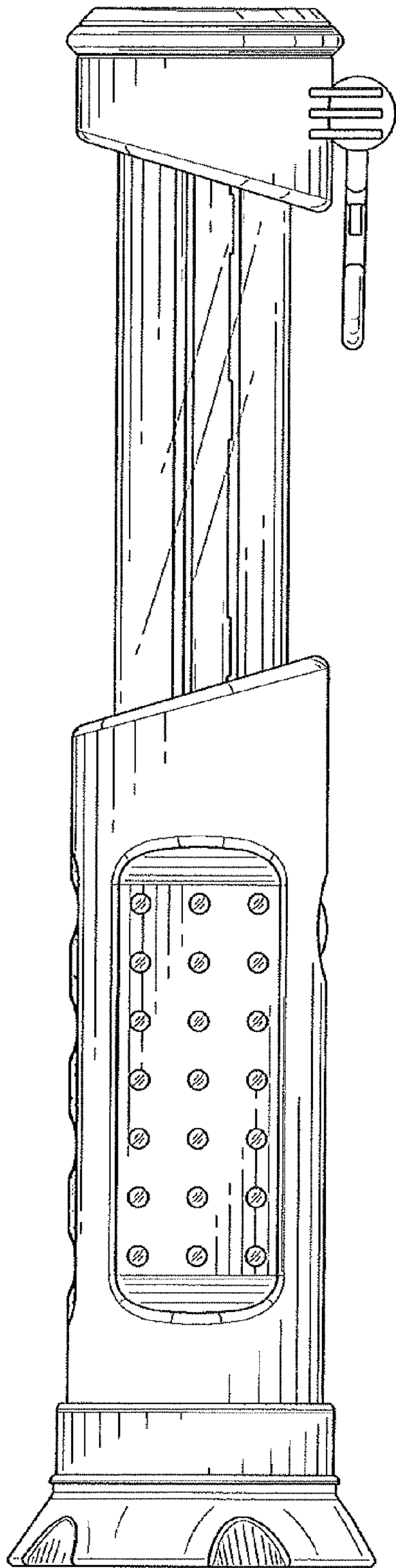


FIG. 6

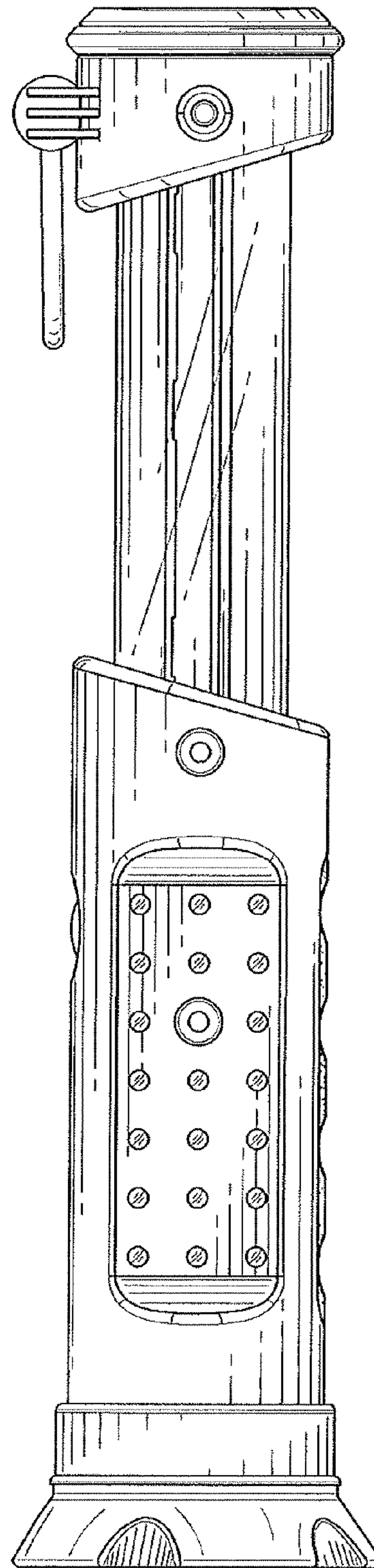


FIG. 7