



US00D620619S

(12) **United States Design Patent**  
**Teffenhart, Jr.**

(10) **Patent No.:** **US D620,619 S**  
(45) **Date of Patent:** **\*\* Jul. 27, 2010**

(54) **SELF-MATING BEAM**

(76) Inventor: **Thomas Joseph Teffenhart, Jr.**, 851  
Siesta Key Cir., Sarasota, FL (US) 34242

(\*\*) Term: **14 Years**

(21) Appl. No.: **29/352,496**

(22) Filed: **Dec. 22, 2009**

**Related U.S. Application Data**

(63) Continuation of application No. 12/015,117, filed on  
Jan. 16, 2008.

(51) **LOC (9) Cl.** ..... **25-01**

(52) **U.S. Cl.** ..... **D25/123**

(58) **Field of Classification Search** ..... D25/119,  
D25/123; 52/843, 844, 845, 849, 831  
See application file for complete search history.

(56) **References Cited**

**U.S. PATENT DOCUMENTS**

3,143,165	A	8/1964	Lewis et al.	
3,222,841	A	12/1965	Llpof	
3,382,639	A	5/1968	Smith et al.	
3,413,775	A	12/1968	Katz	
4,057,941	A	11/1977	Schwartz	
4,774,790	A	10/1988	Hopper	
5,031,083	A	7/1991	Claesson	
D343,909	S *	2/1994	Flynn	D25/123
5,464,302	A *	11/1995	Menchetti	403/335
5,813,641	A	9/1998	Baldwin	
D414,881	S *	10/1999	Giese	D25/123
6,092,348	A	7/2000	Dombchik et al.	
6,357,196	B1 *	3/2002	McCombs	52/845
6,385,941	B1	5/2002	Power, Jr. et al.	

6,405,504	B1 *	6/2002	Richardson	52/461
6,430,888	B1	8/2002	Dombchik et al.	
6,601,362	B1	8/2003	Prince	
6,668,495	B1	12/2003	Prince	
6,755,004	B1	6/2004	Power, Jr. et al.	
6,826,885	B2	12/2004	Raskin et al.	
7,568,323	B2	8/2009	Shelton et al.	
2007/0074480	A1	4/2007	Kleila et al.	
2007/0266671	A1	11/2007	Chromy	
2008/0016816	A1	1/2008	Kim	
2008/0168738	A1	7/2008	Shelton et al.	

\* cited by examiner

*Primary Examiner*—Doris Clark

(74) *Attorney, Agent, or Firm*—Jacox, Mackstroth & Jenkins

(57) **CLAIM**

The ornamental design for self-mating beam, as shown and described in FIGS.

**DESCRIPTION**

FIG. 1 is a perspective view of one embodiment of the invention;

FIG. 2 is an end view of the embodiment shown in FIG. 1, the opposite end being a mirror image thereof;

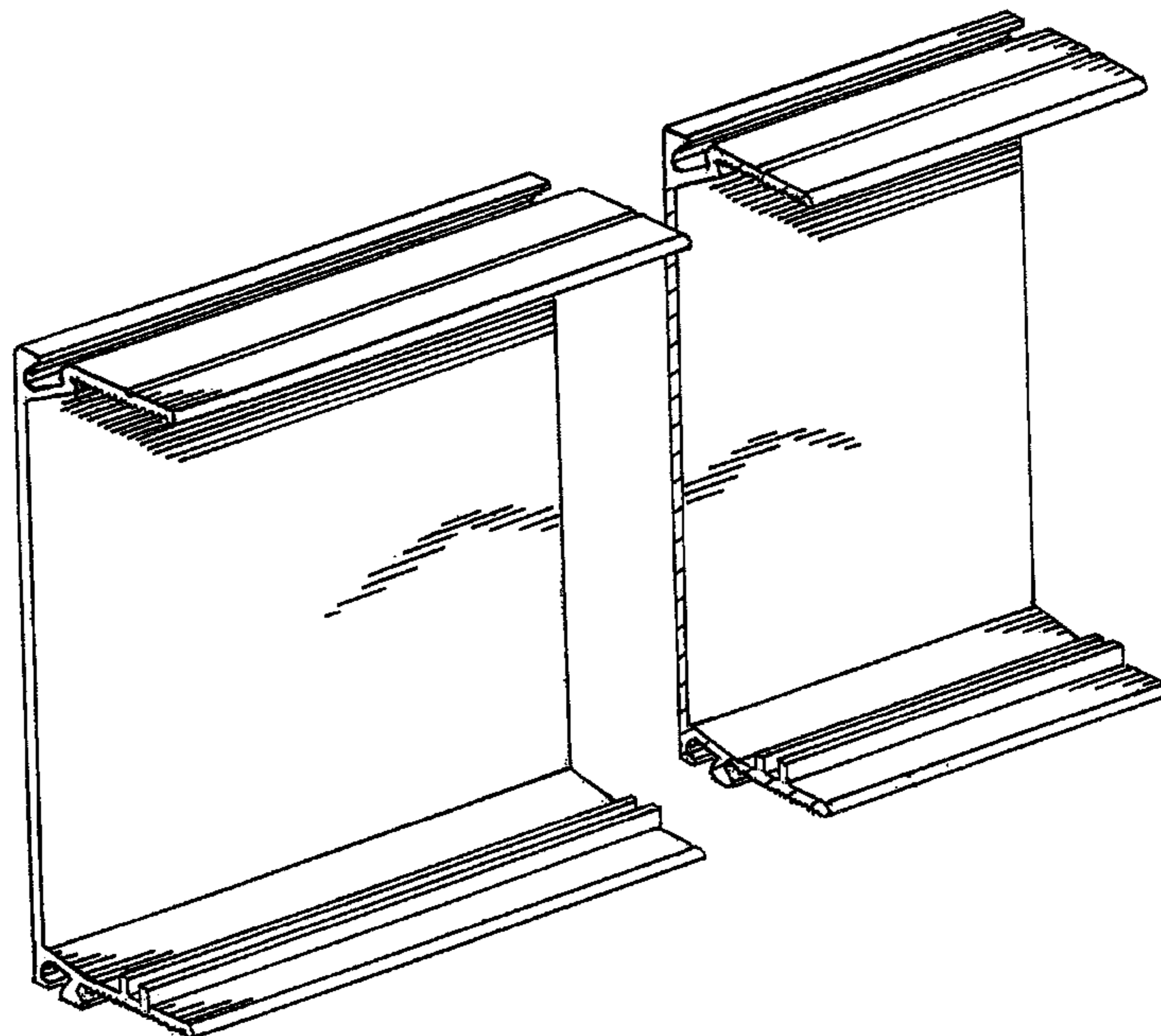
FIG. 3 is a fragmentary right side view of the embodiment shown in FIG. 2;

FIG. 4 is a fragmentary left side view of the embodiment shown in FIG. 2;

FIG. 5 is a fragmentary top view of the embodiment shown in FIG. 1; and,

FIG. 6 is a fragmentary bottom view of the embodiment shown in FIG. 1.

**1 Claim, 4 Drawing Sheets**



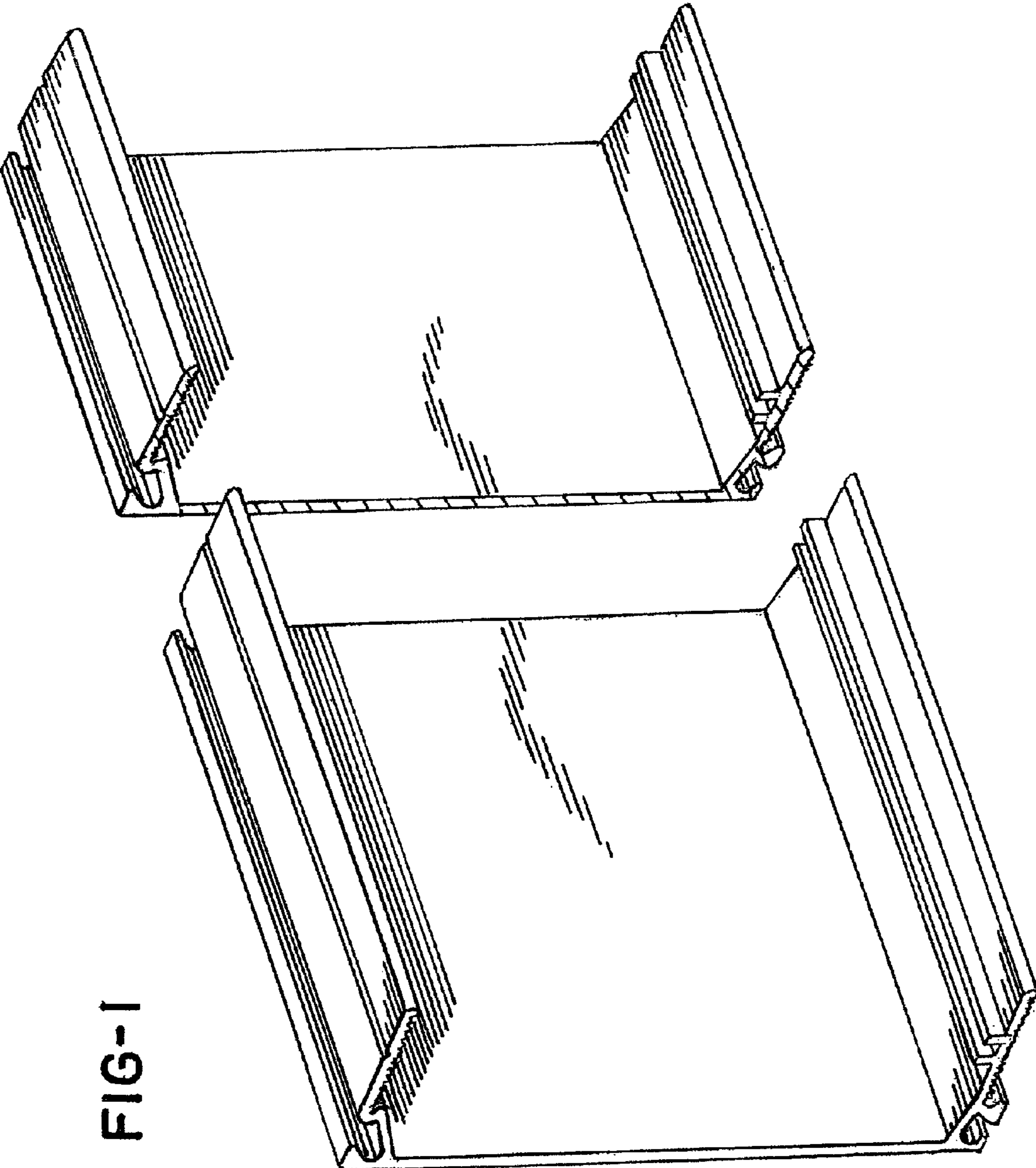


FIG-1

FIG-3

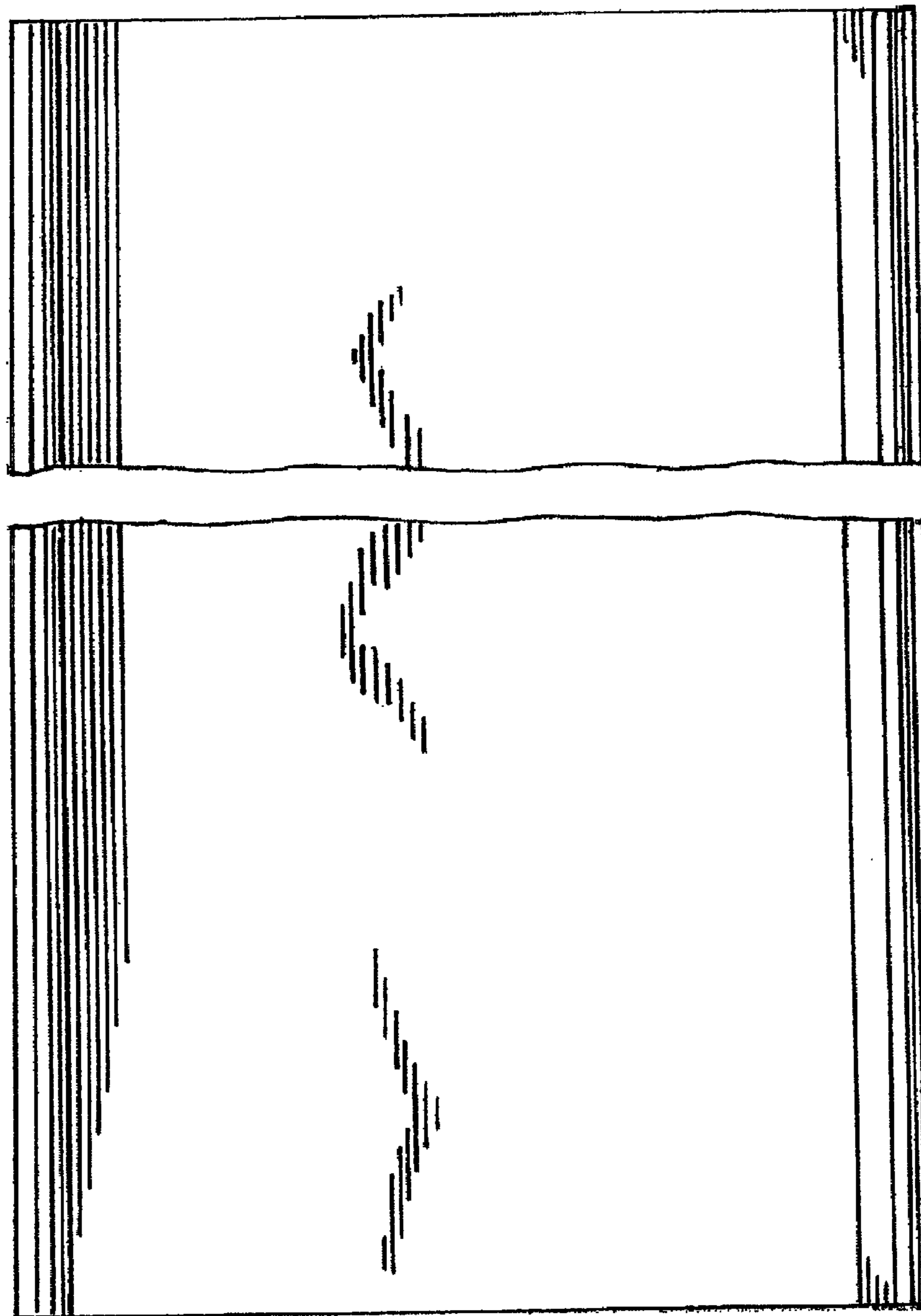


FIG-2

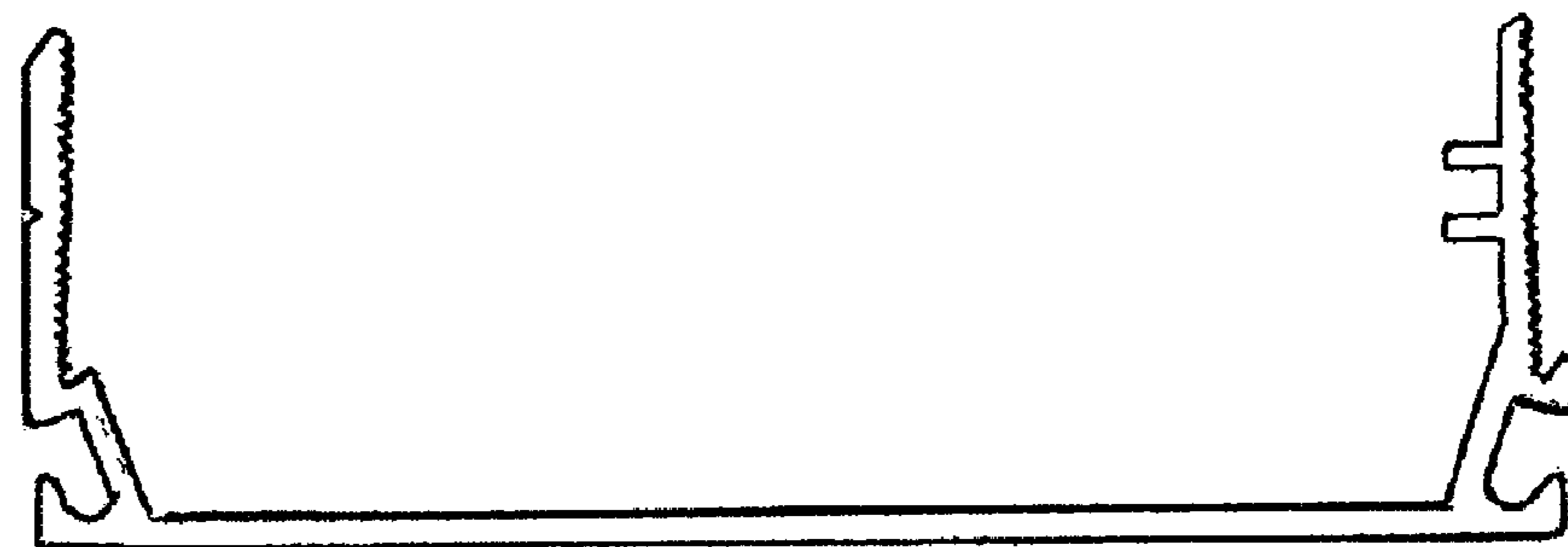
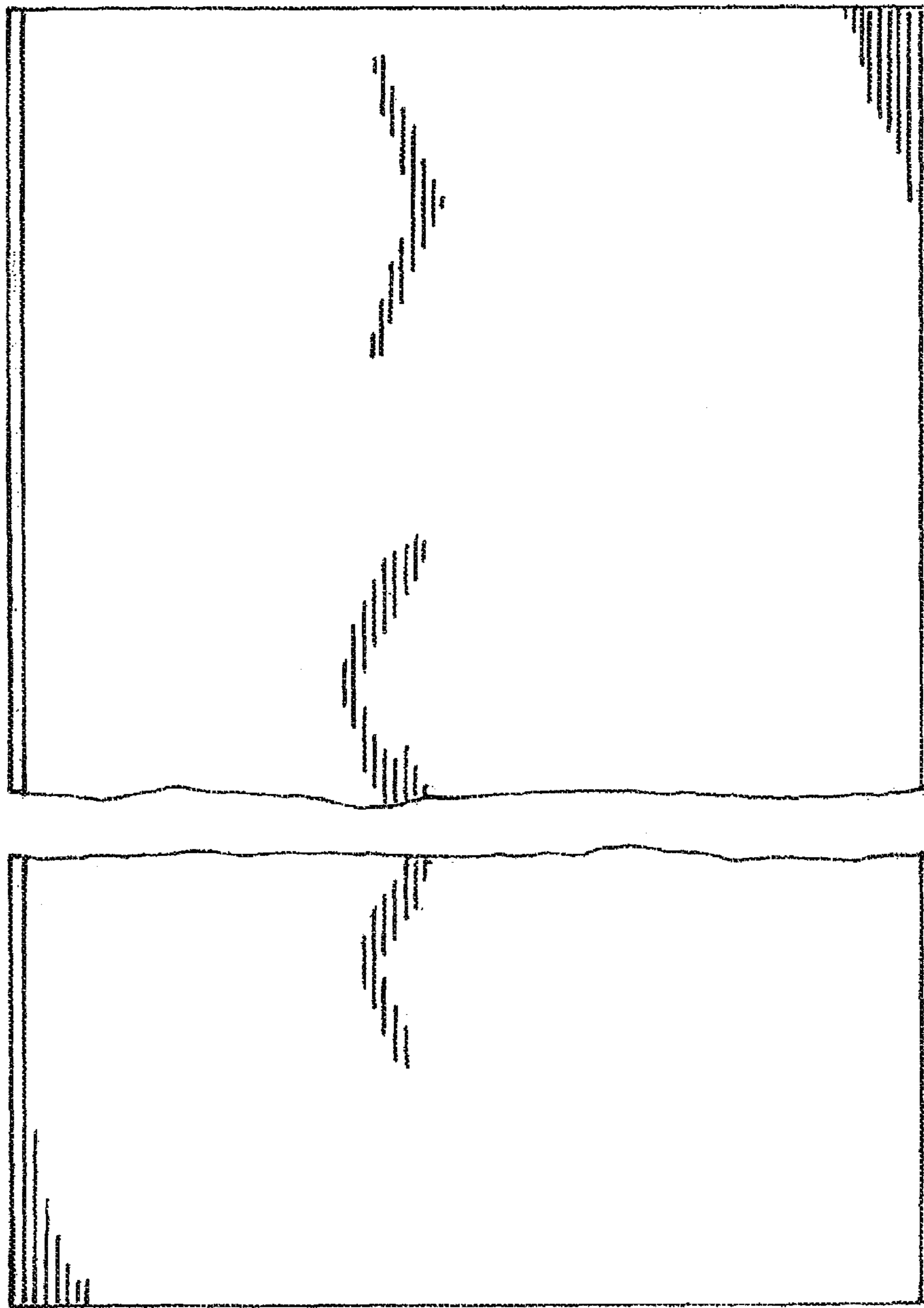


FIG-4





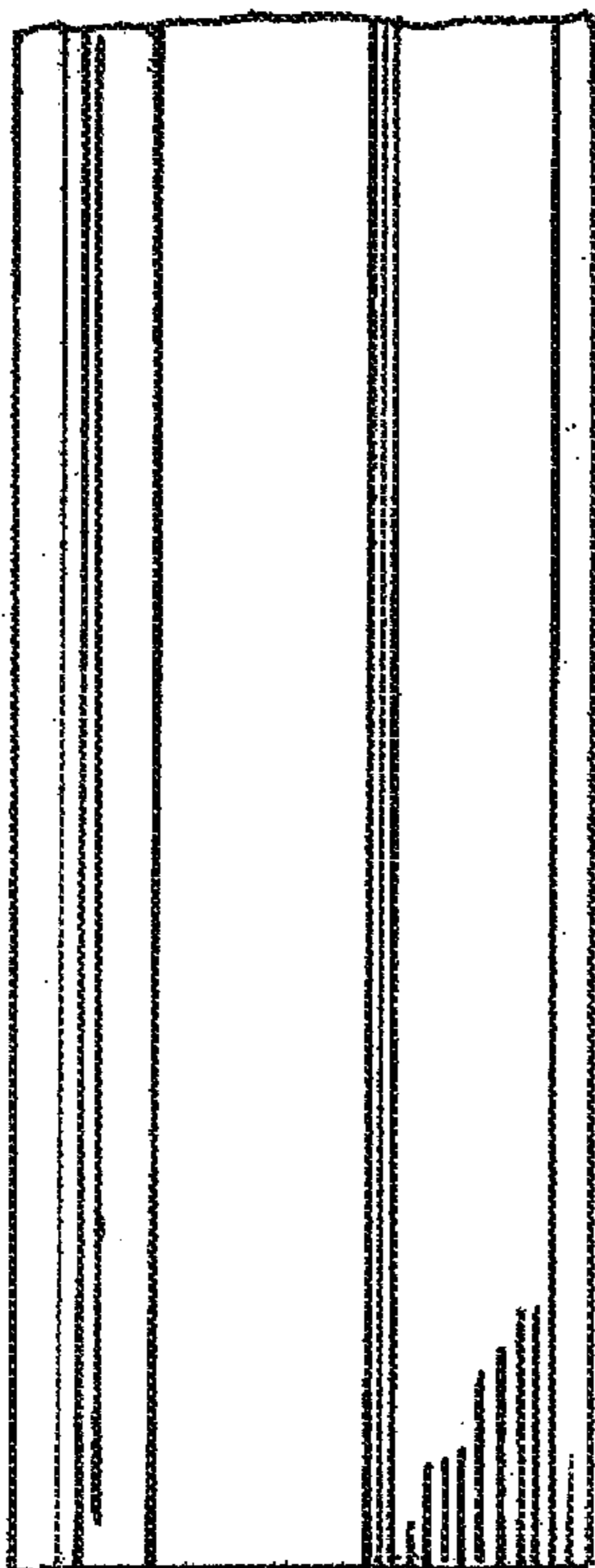
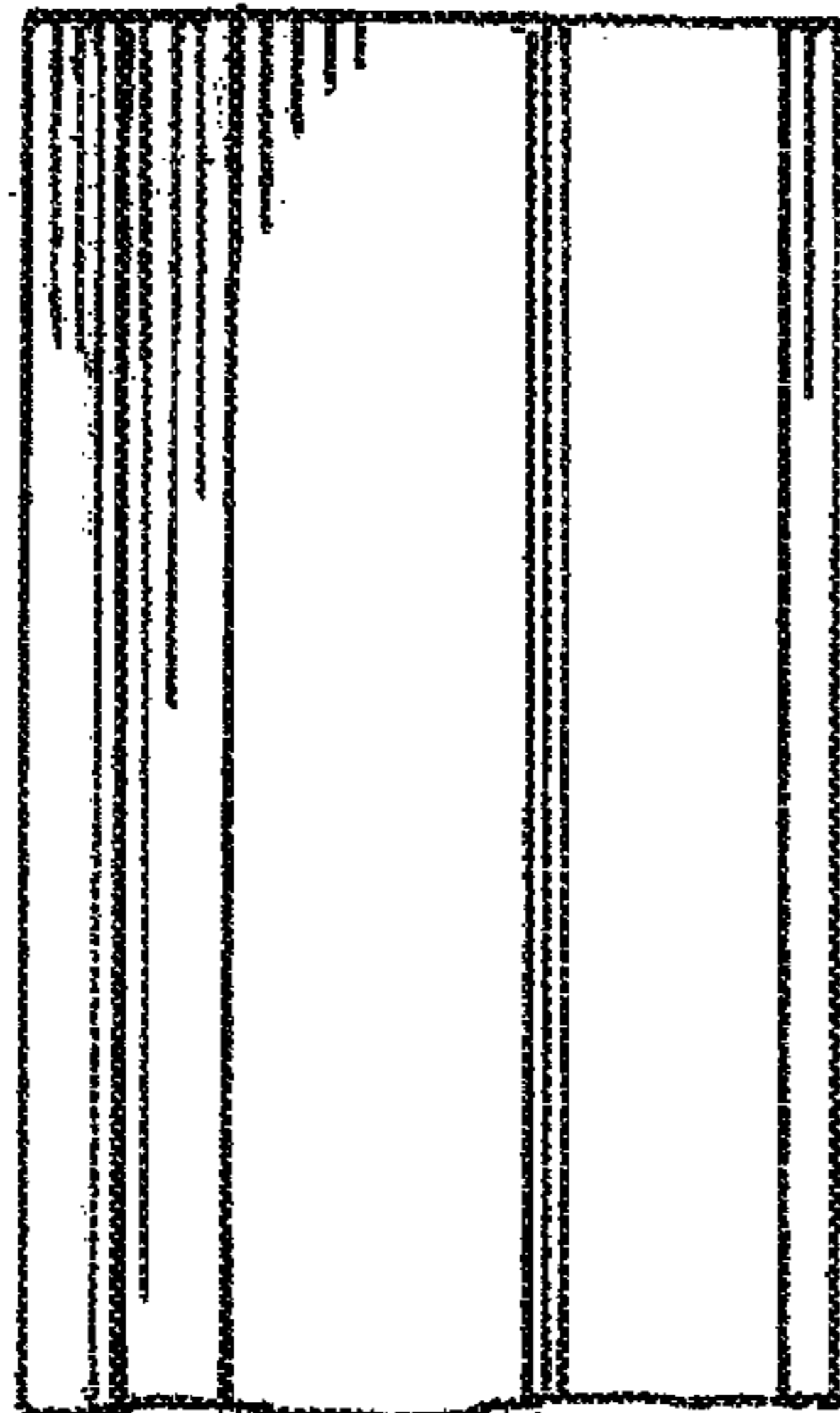


FIG-5

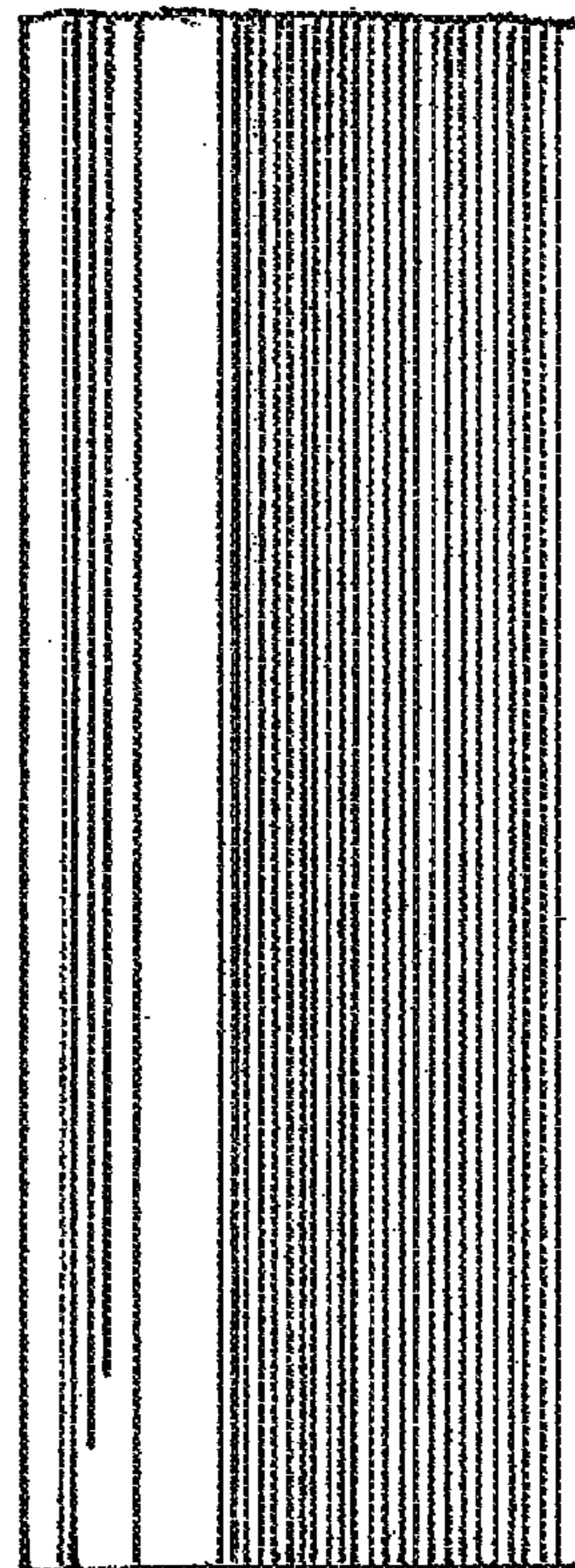
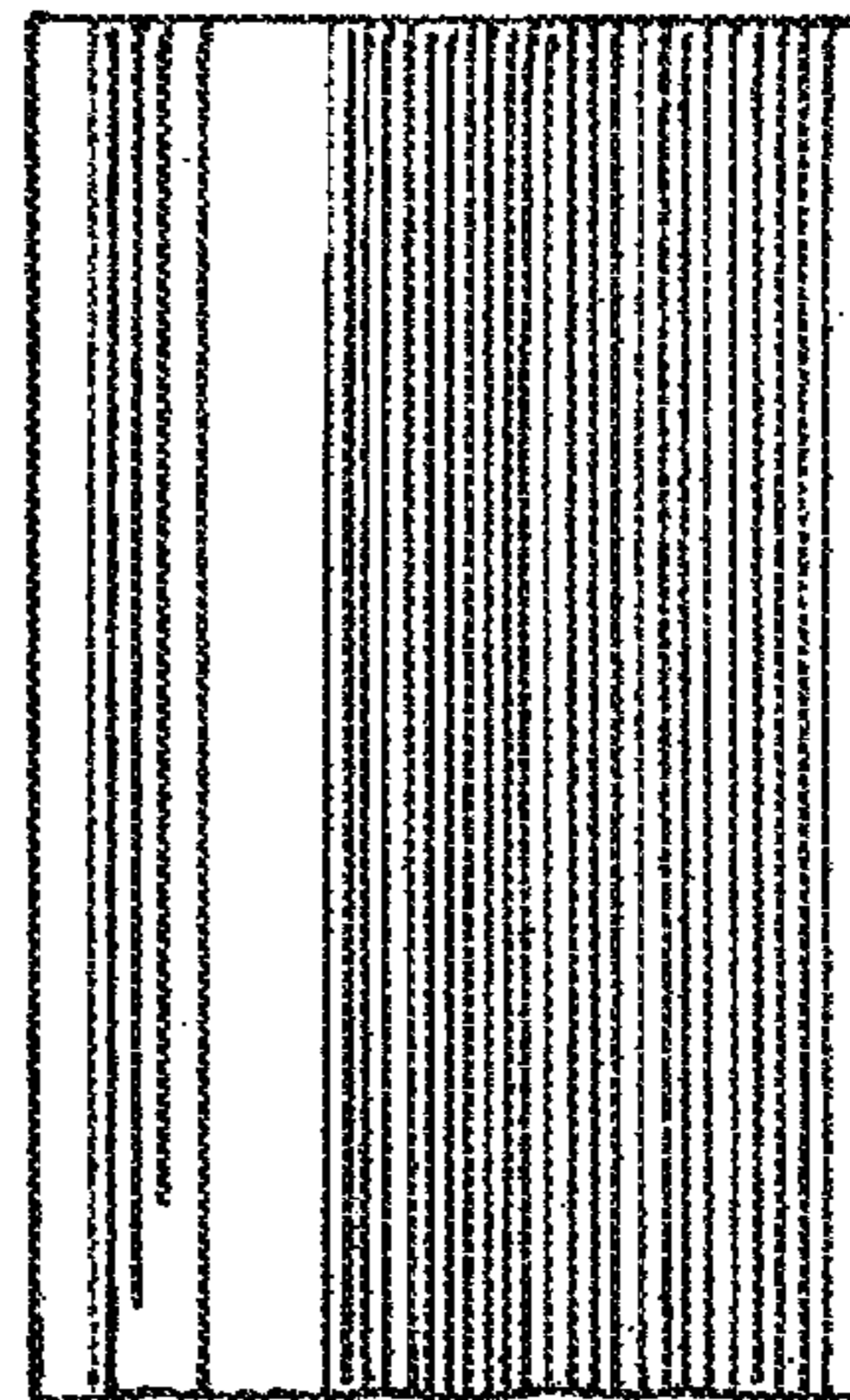


FIG-6