



US00D620616S

(12) **United States Design Patent**  
**Ciccarello**

(10) **Patent No.:** **US D620,616 S**

(45) **Date of Patent:** **\*\* Jul. 27, 2010**

(54) **FLAGSTONE**

(75) Inventor: **Charles Ciccarello**, Brossard (CA)

(73) Assignee: **Techo-Bloc Inc.**, St. Hubert, Quebec (CA)

(\*\*) Term: **14 Years**

(21) Appl. No.: **29/350,516**

(22) Filed: **Nov. 18, 2009**

**Related U.S. Application Data**

(62) Division of application No. 29/334,516, filed on Mar. 27, 2009, now Pat. No. Des. 613,426.

(30) **Foreign Application Priority Data**

Jan. 28, 2009 (CA) ..... 129474

(51) **LOC (9) Cl.** ..... **25-01**

(52) **U.S. Cl.** ..... **D25/113**

(58) **Field of Classification Search** ..... D25/102,  
D25/112-118; D21/484-486; 52/503-505,  
52/574, 575, 596, 600-605; 405/284, 286;  
404/29, 30, 34, 37, 41, 42

See application file for complete search history.

(56) **References Cited**

**U.S. PATENT DOCUMENTS**

D429,343 S \* 8/2000 Milot ..... D25/113  
D536,058 S \* 1/2007 Riccobene ..... D25/113  
D537,501 S \* 2/2007 Riccobene ..... D25/113  
D543,642 S \* 5/2007 Castonguay et al. .... D25/113  
D553,260 S \* 10/2007 Castonguay et al. .... D25/113  
7,393,155 B2 \* 7/2008 Riccobene ..... 404/38  
D578,658 S \* 10/2008 Keys ..... D25/113

D578,659 S \* 10/2008 Keys ..... D25/113  
D578,660 S \* 10/2008 Keys ..... D25/113  
D590,070 S \* 4/2009 Castonguay ..... D25/113  
D602,173 S \* 10/2009 Thomassen ..... D25/113  
D603,975 S \* 11/2009 Thomassen ..... D25/113  
2008/0095577 A1 \* 4/2008 Brun ..... 404/42

\* cited by examiner

*Primary Examiner*—T. Chase Nelson

*Assistant Examiner*—Anhdao Doan

(74) *Attorney, Agent, or Firm*—Ogilvy Renault LLP

(57) **CLAIM**

The ornamental design for a flagstone, as shown and described.

**DESCRIPTION**

FIG. 1 is a perspective view of a first embodiment of a flagstone showing my new design;

FIG. 2 is a top view thereof;

FIG. 3 is a perspective view of a second embodiment of a flagstone showing my new design;

FIG. 4 is a top view thereof;

FIG. 5 is a perspective view of a third embodiment of a flagstone showing my new design;

FIG. 6 is a top view thereof;

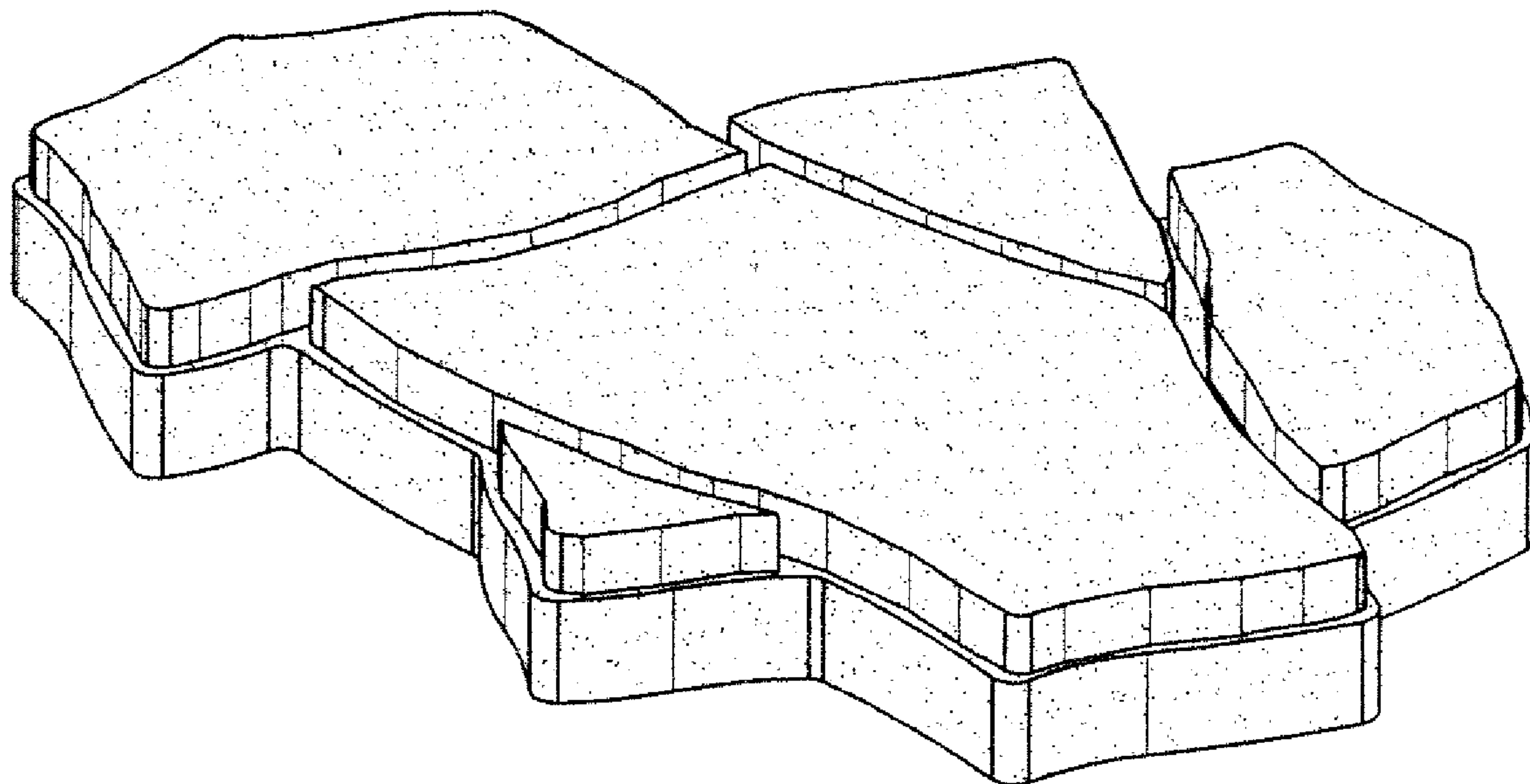
FIG. 7 is a perspective view of a fourth embodiment of a flagstone showing my new design;

FIG. 8 is a top view thereof;

FIG. 9 is a perspective view of a fifth embodiment of a flagstone showing my new design; and,

FIG. 10 is a top view thereof.

**1 Claim, 5 Drawing Sheets**



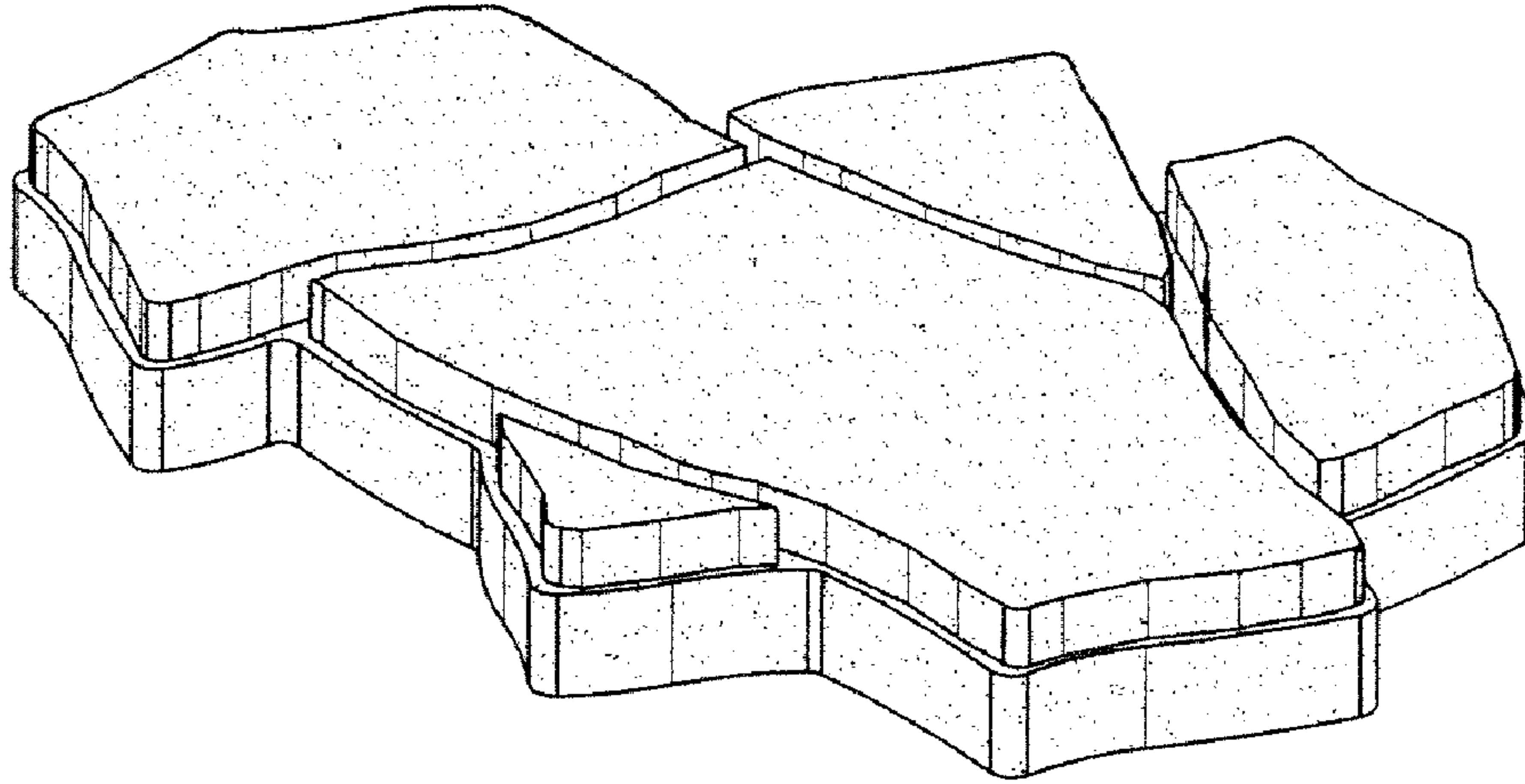


Fig-1

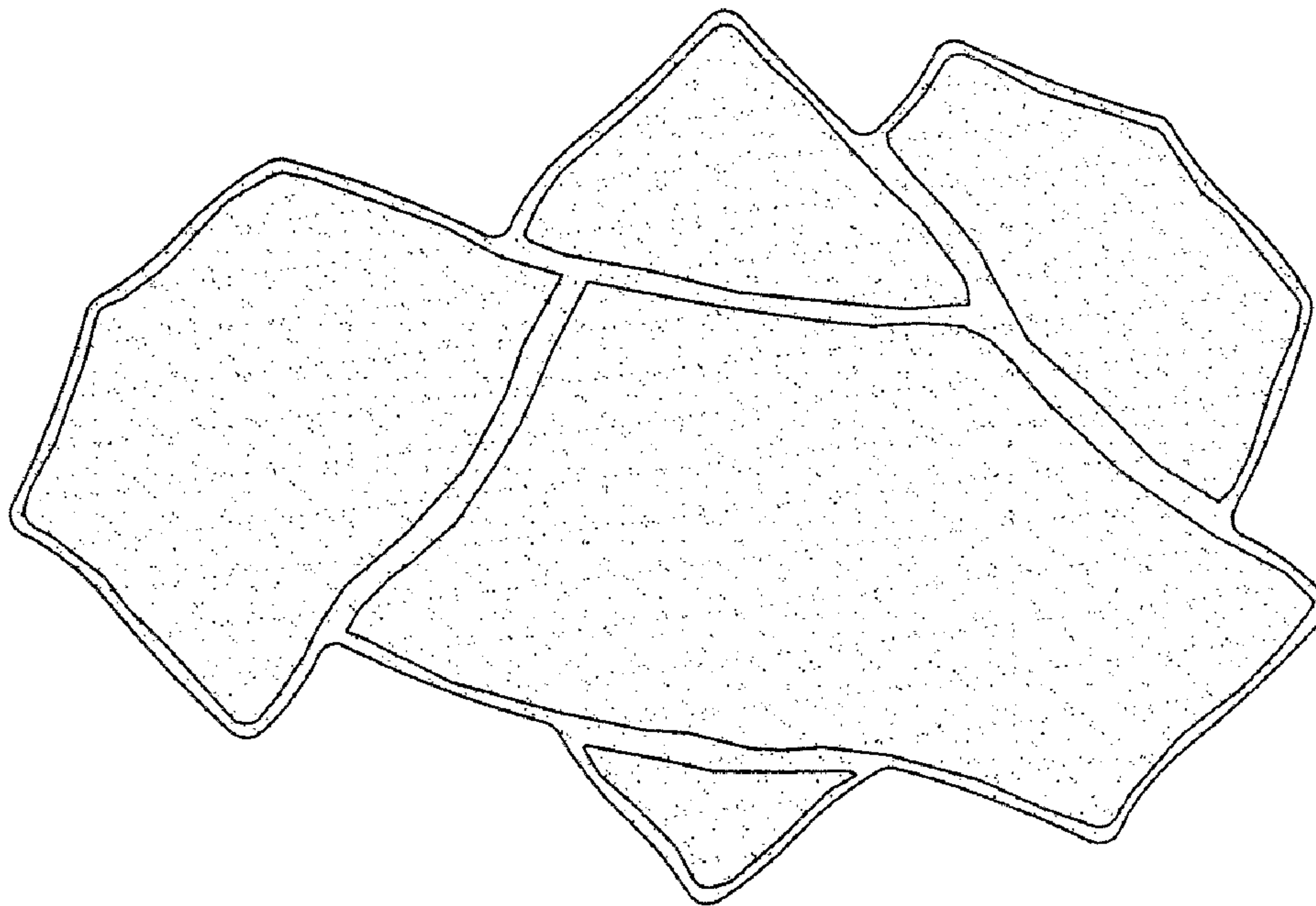


Fig-2

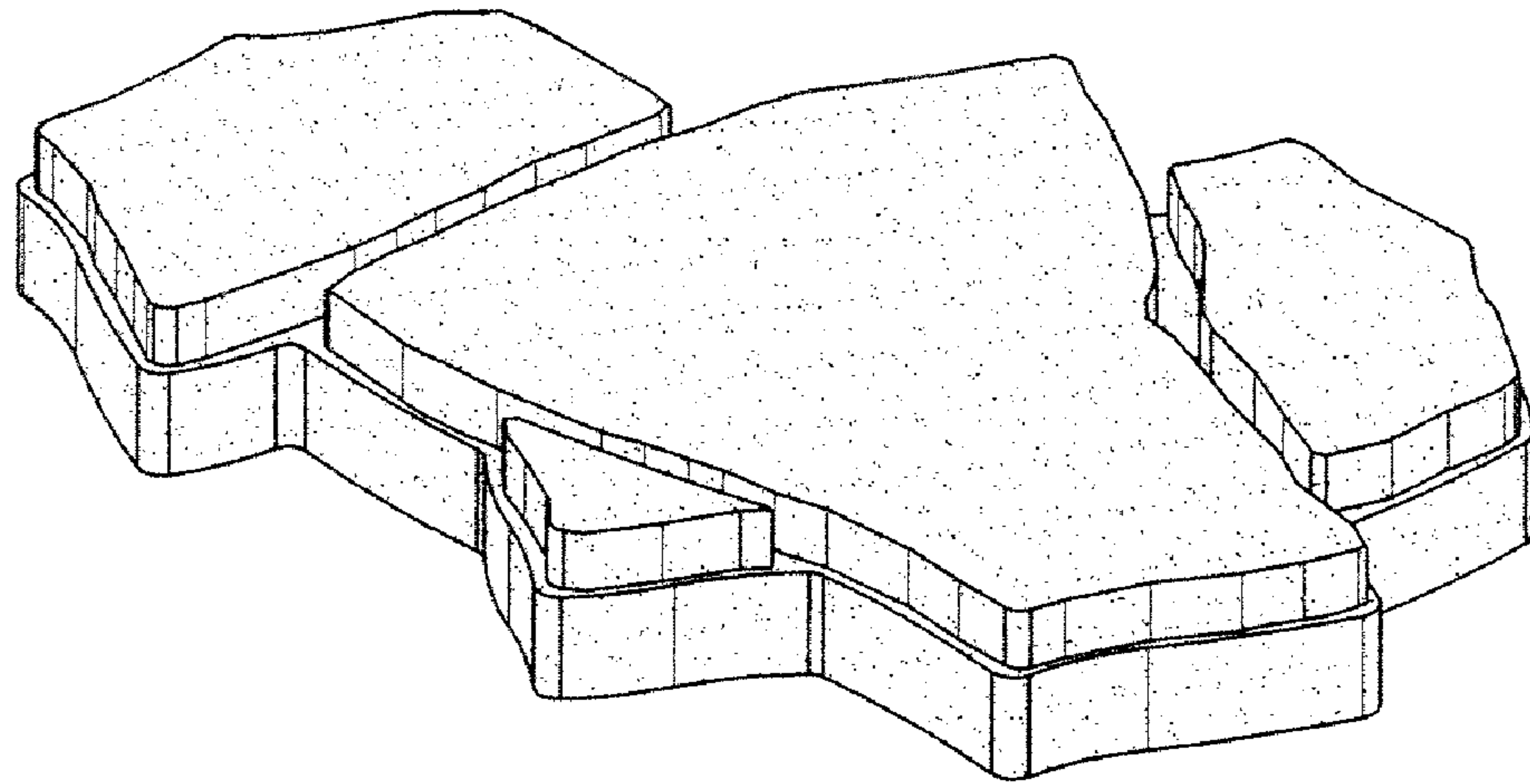


Fig-3

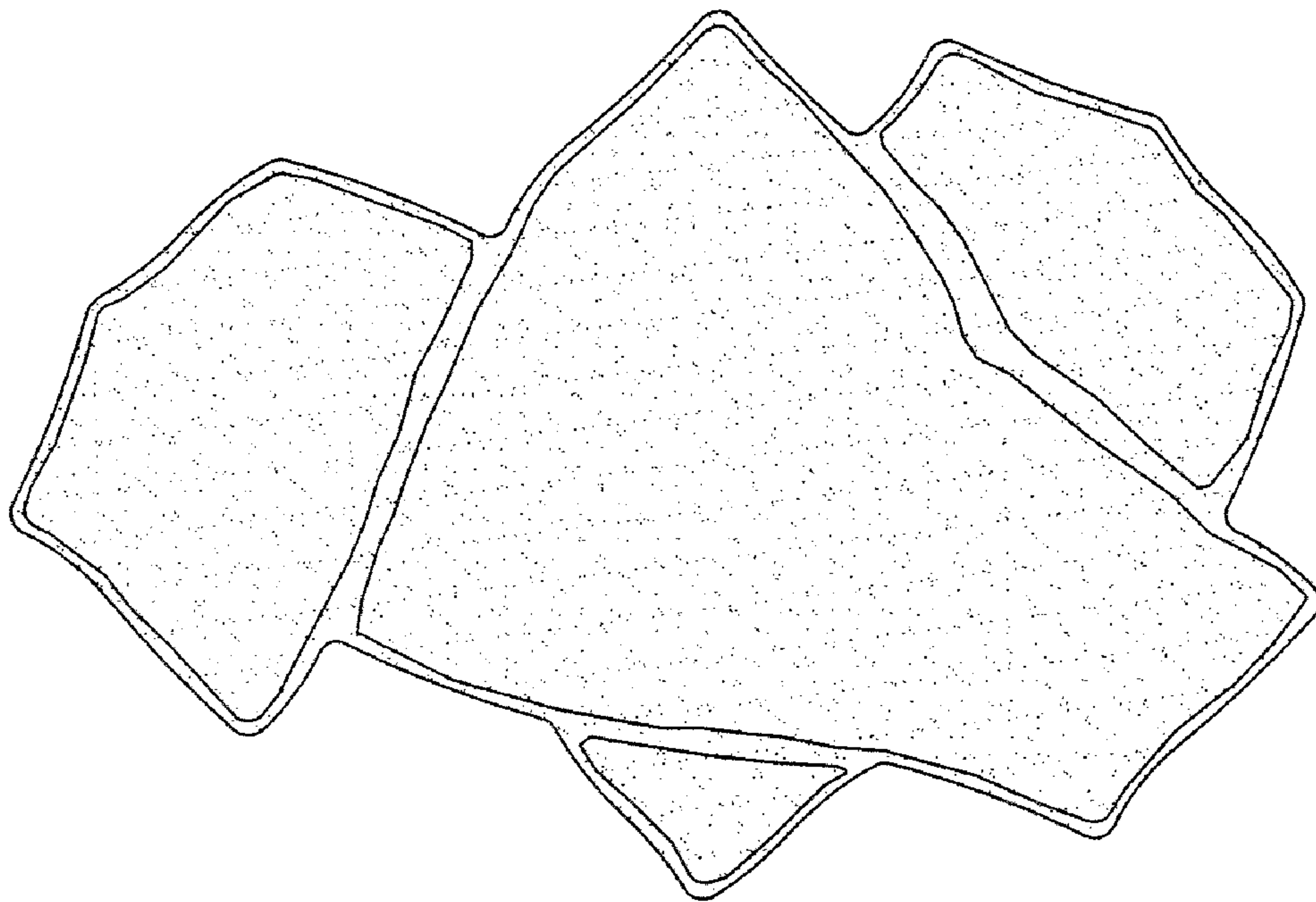


Fig-4



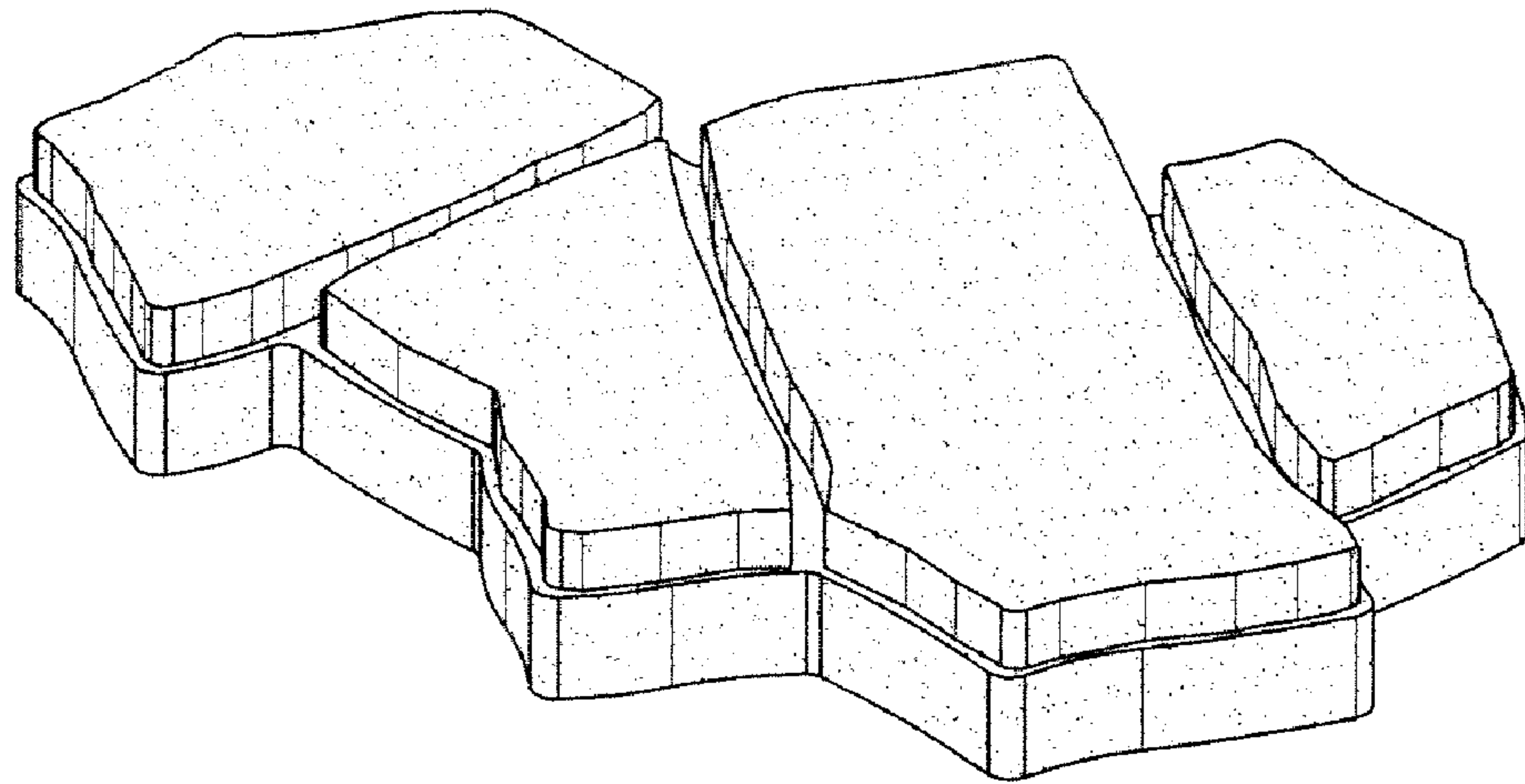


Fig. 5

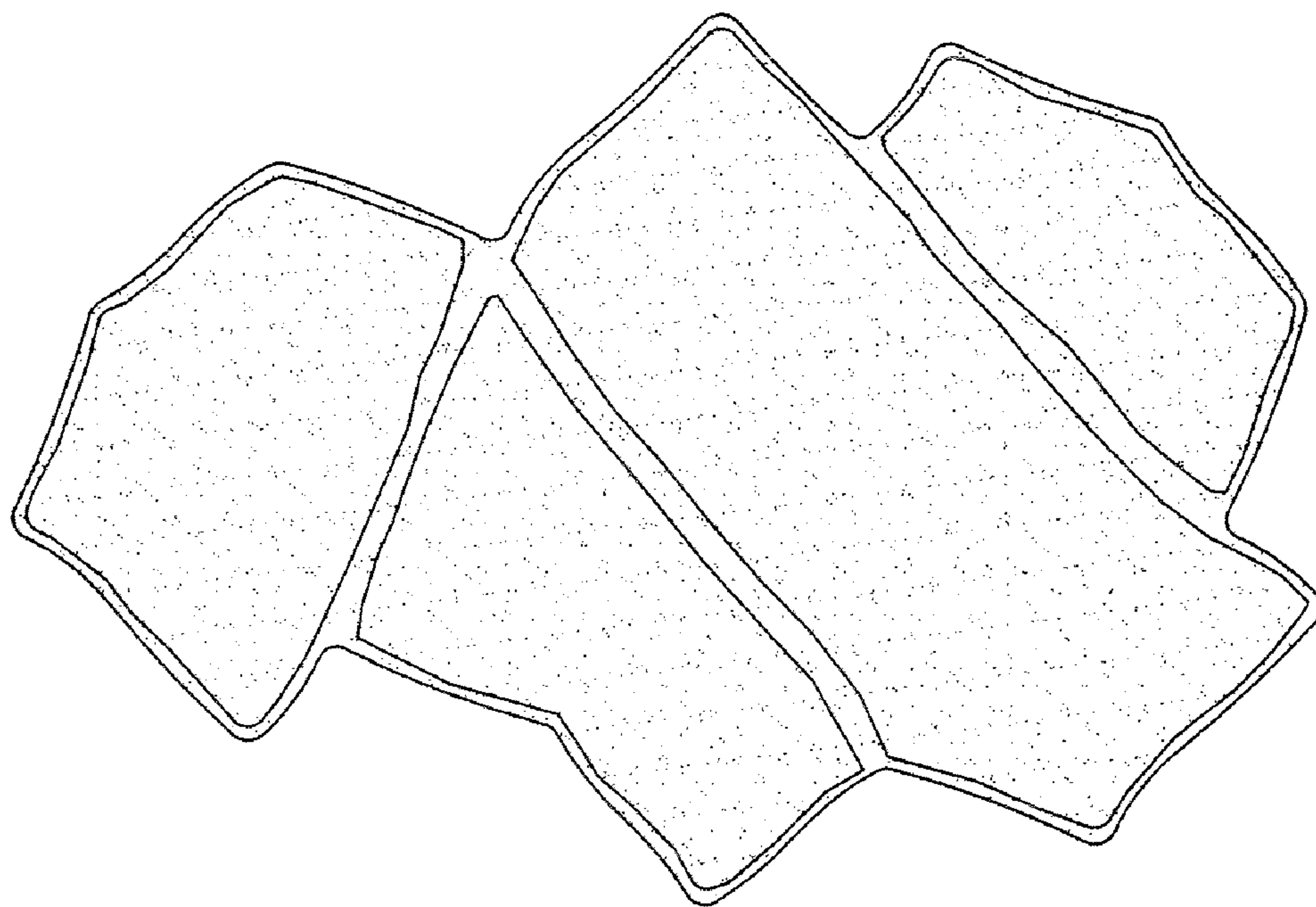


Fig. 6

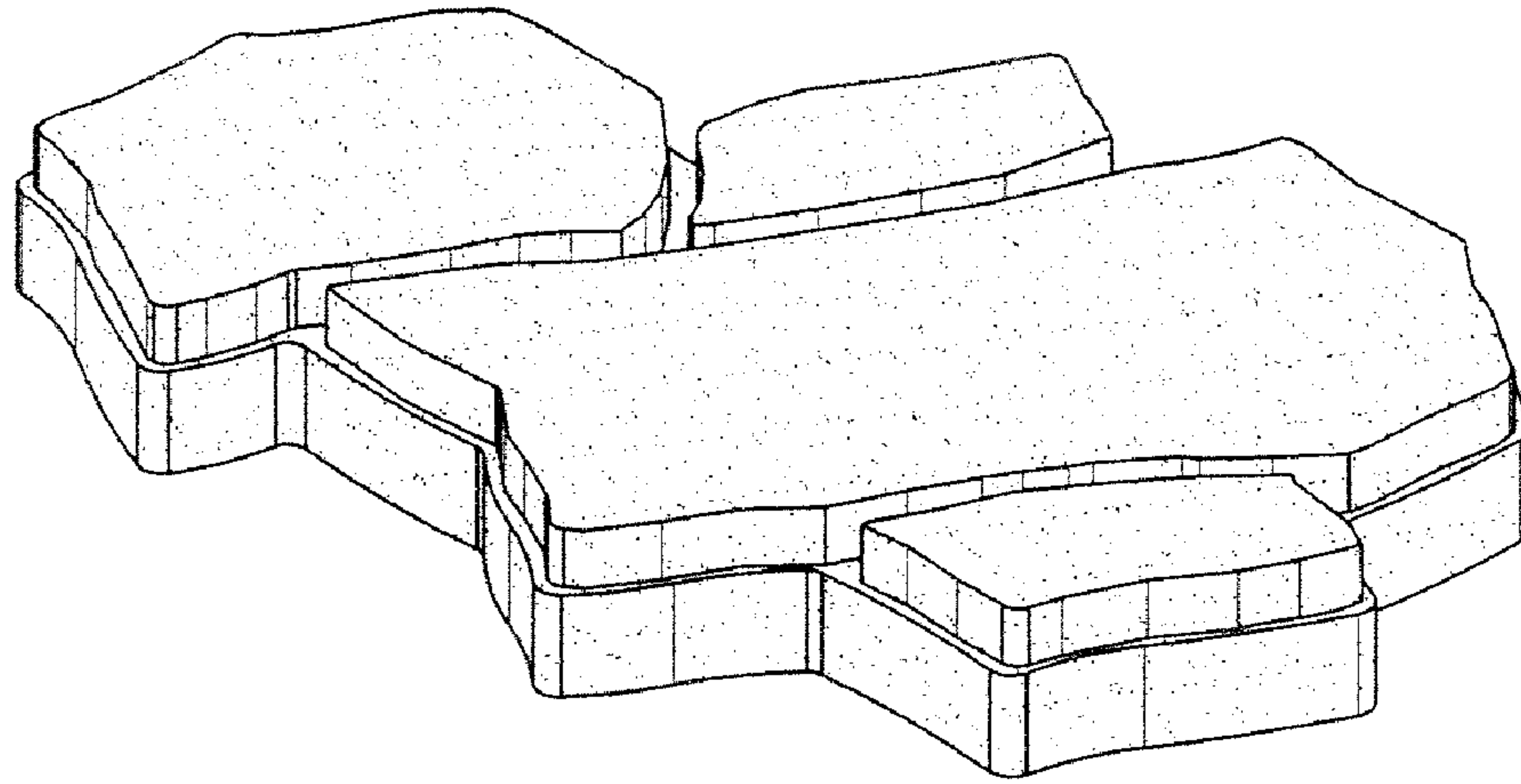


Fig-7

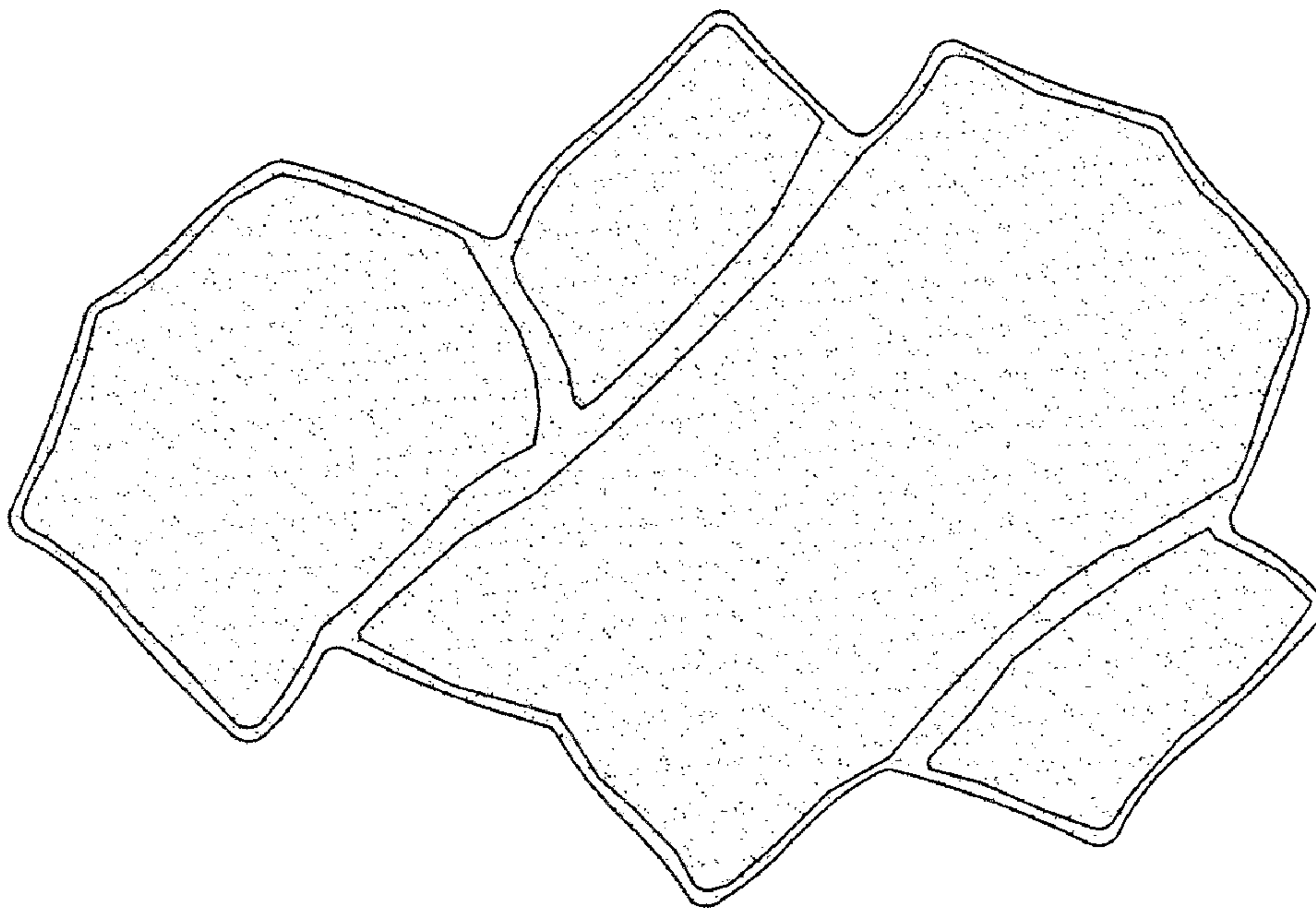
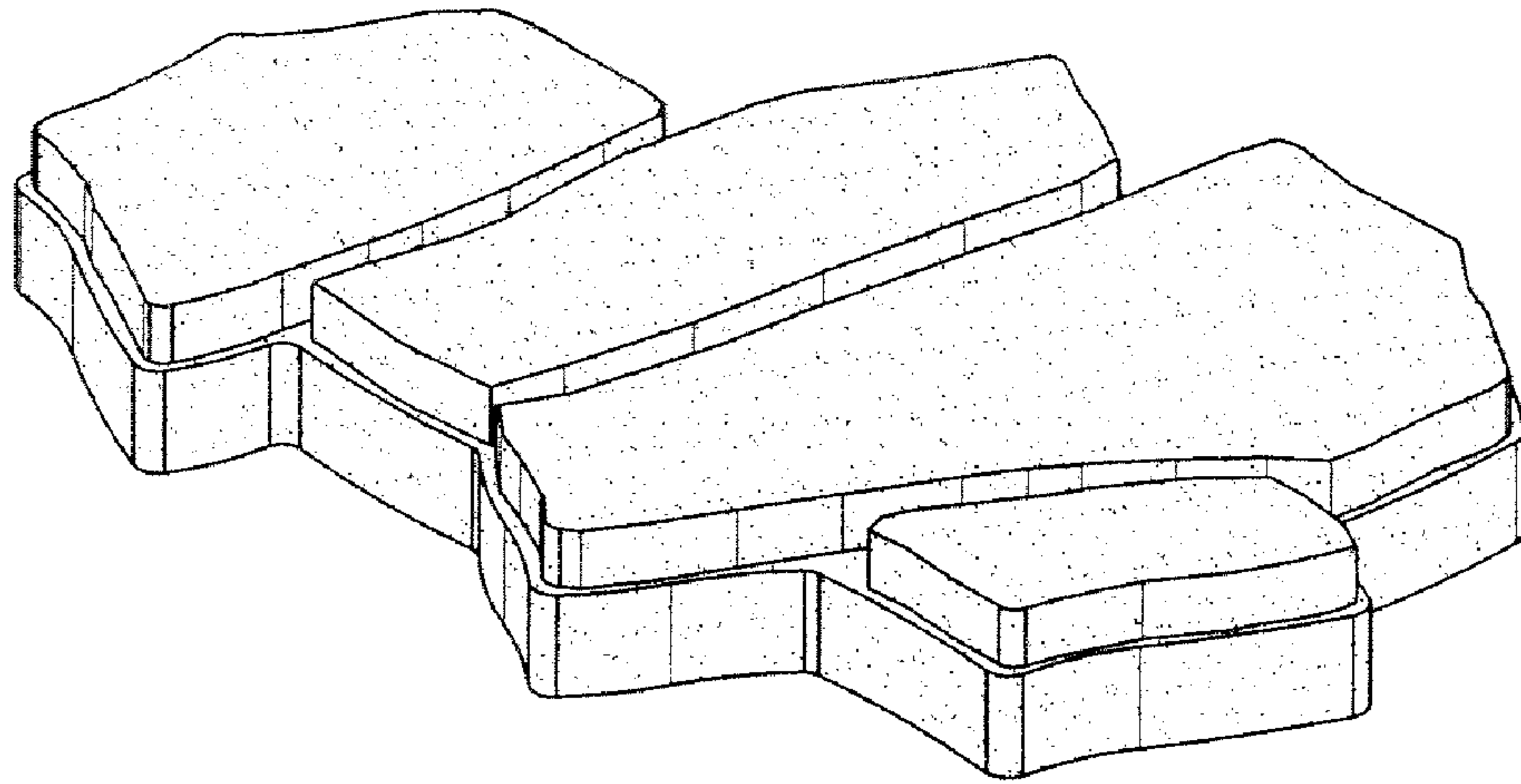
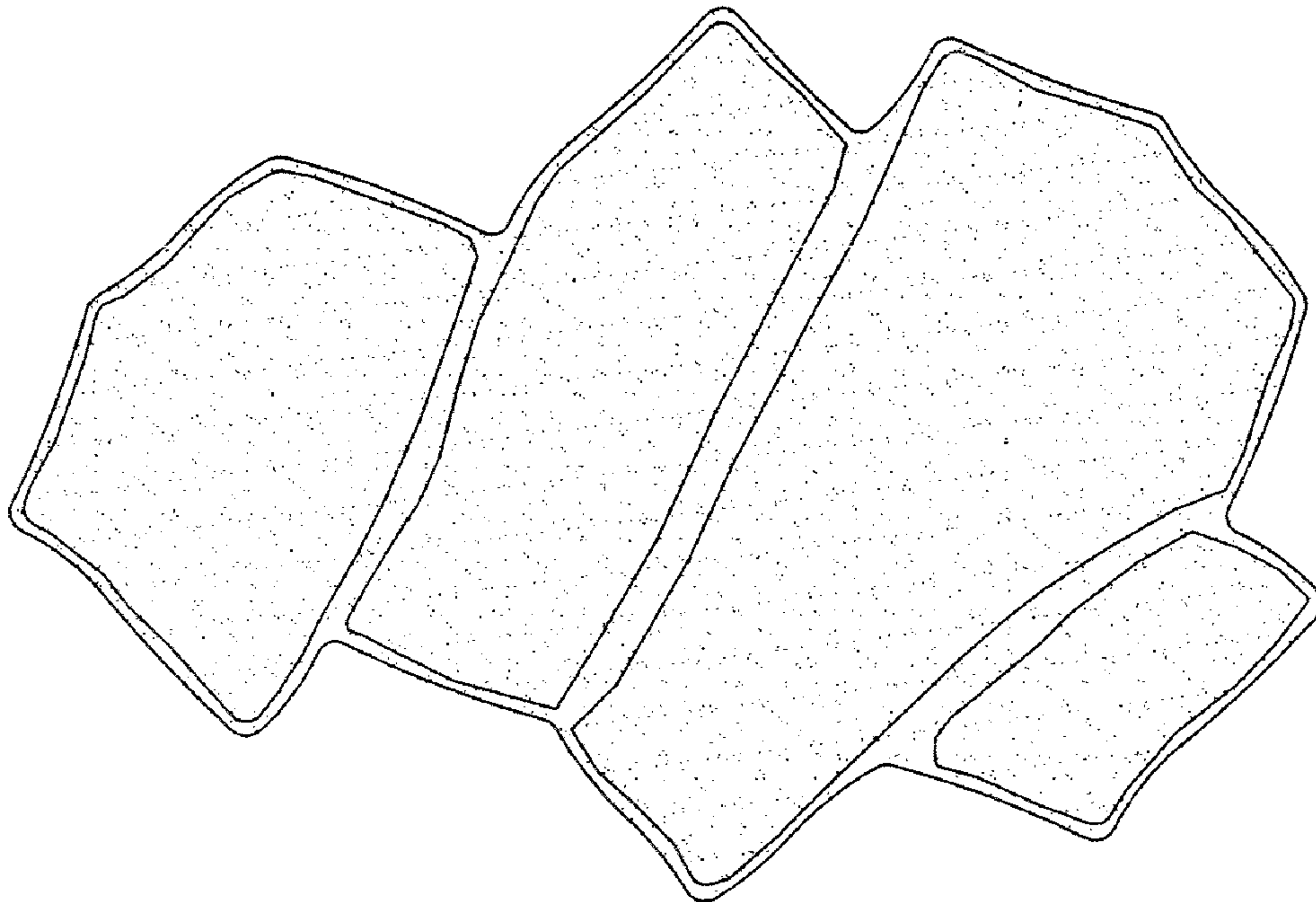


Fig-8



*Fig-9*



*Fig-10*