



US00D620613S

(12) **United States Design Patent**
Jensen

(10) **Patent No.:** **US D620,613 S**

(45) **Date of Patent:** **** Jul. 27, 2010**

(54) **LADDER CADDY**

(76) Inventor: **Eric Lee Jensen**, 2693 Regent Rd.,
Carlsbad, CA (US) 92008

(**) Term: **14 Years**

(21) Appl. No.: **29/350,885**

(22) Filed: **Nov. 24, 2009**

(51) **LOC (9) Cl.** **25-04**

(52) **U.S. Cl.** **D25/68**

(58) **Field of Classification Search** D25/68;
182/129; 248/210, 238

See application file for complete search history.

(56) **References Cited**

U.S. PATENT DOCUMENTS

D431,302 S *	9/2000	Bresko	D25/68
6,401,862 B1 *	6/2002	Caron	182/129
6,443,260 B1 *	9/2002	Katz et al.	182/129
D549,839 S *	8/2007	Zodnik	D25/68
7,370,726 B1 *	5/2008	Chavez	182/129

* cited by examiner

Primary Examiner—Doris Clark

(74) *Attorney, Agent, or Firm*—Gordon & Rees LLP

(57) **CLAIM**

The ornamental design for a ladder caddy, as shown and described.

DESCRIPTION

FIG. 1 is a perspective view of the ladder caddy.

FIG. 2 is a perspective view of the ladder caddy showing painting supplies in use with the ladder caddy.

FIG. 3 is a top plan view of the ladder caddy.

FIG. 4 is a bottom plan view of the ladder caddy.

FIG. 5 is a front elevation view of the ladder caddy.

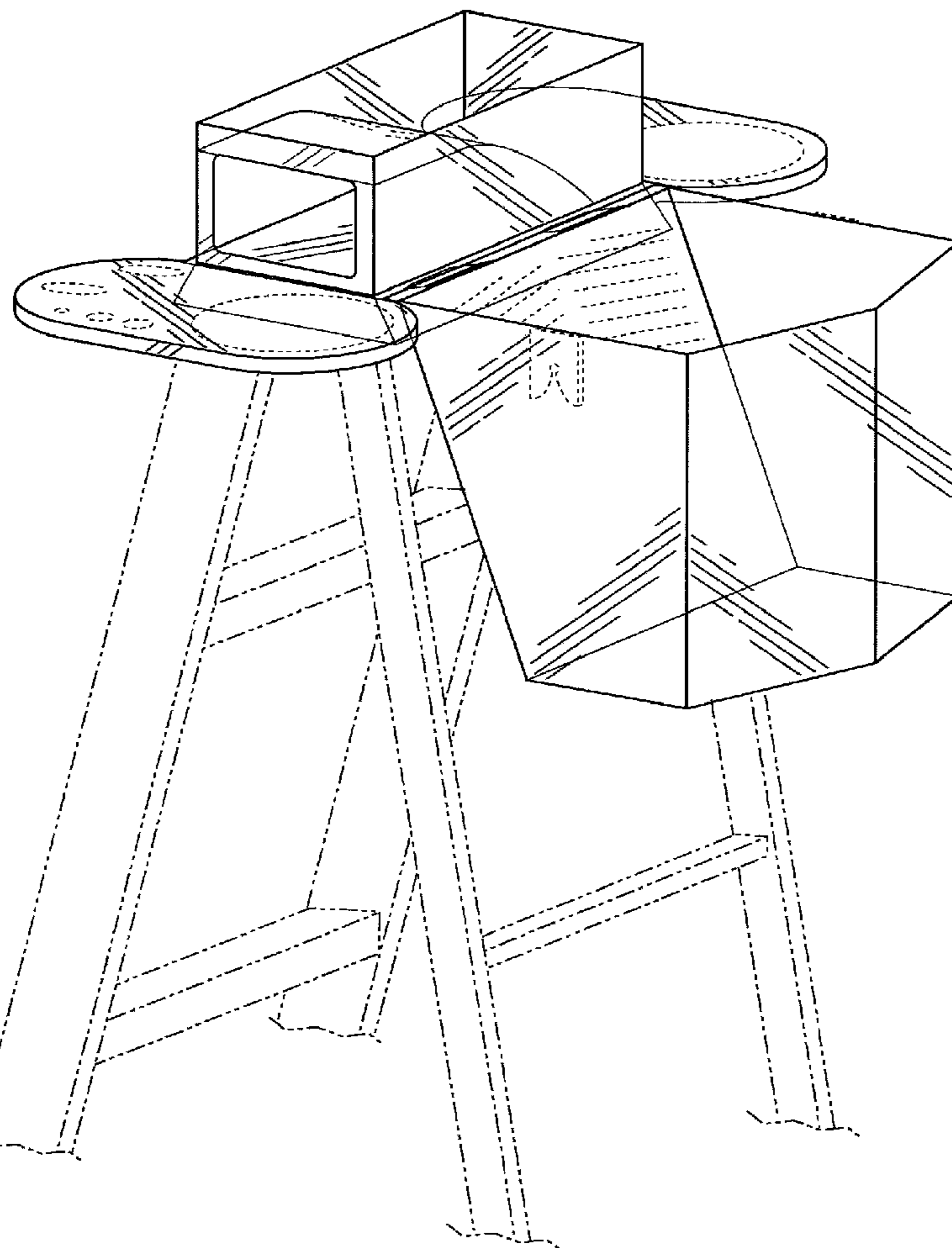
FIG. 6 is a rear elevation view of the ladder caddy.

FIG. 7 is a right side elevation view of the ladder caddy; and,

FIG. 8 is a left side elevation view of the ladder caddy.

The broken line showing is for illustrative purposes and forms no part of the claimed design.

1 Claim, 8 Drawing Sheets



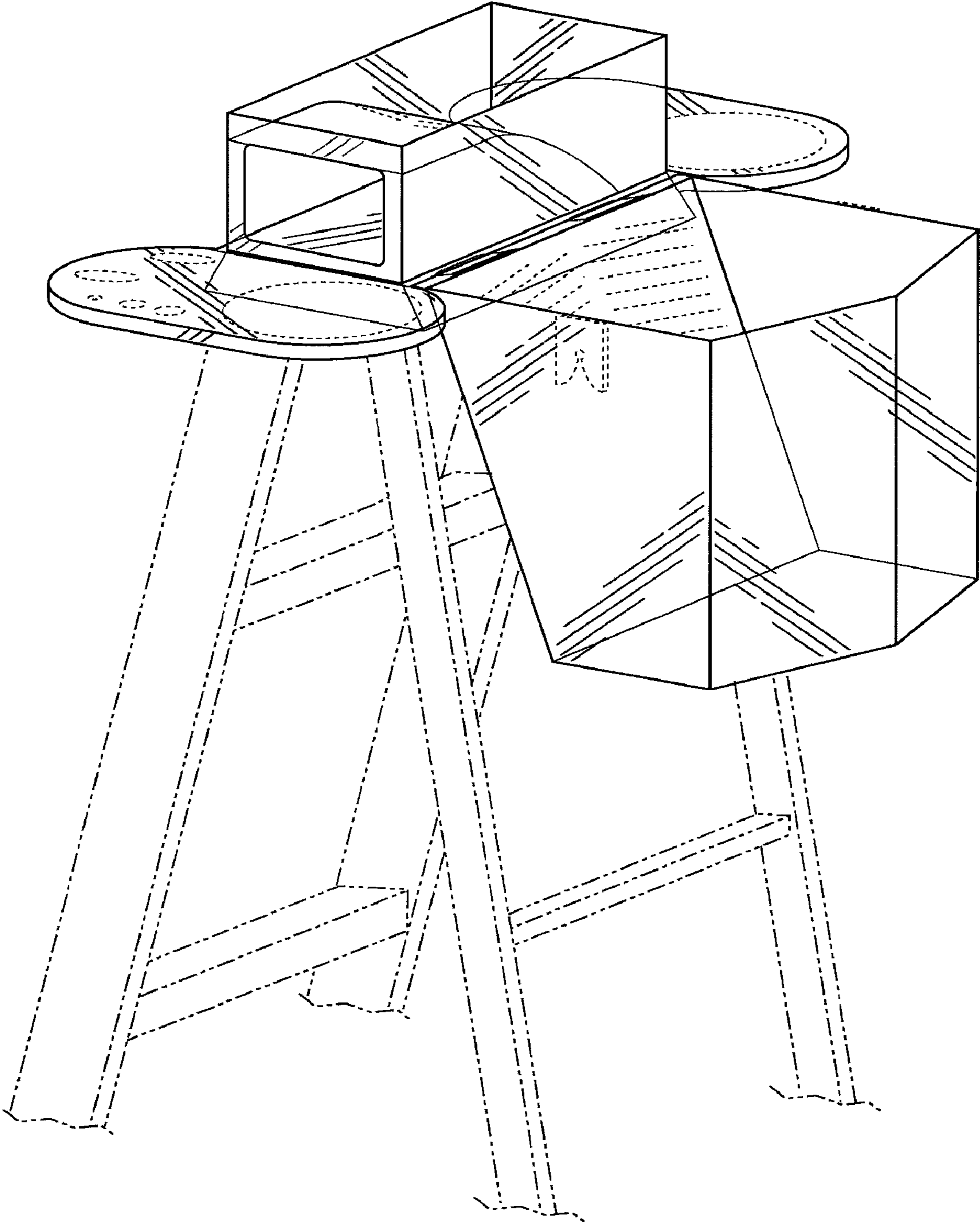


FIG. 1

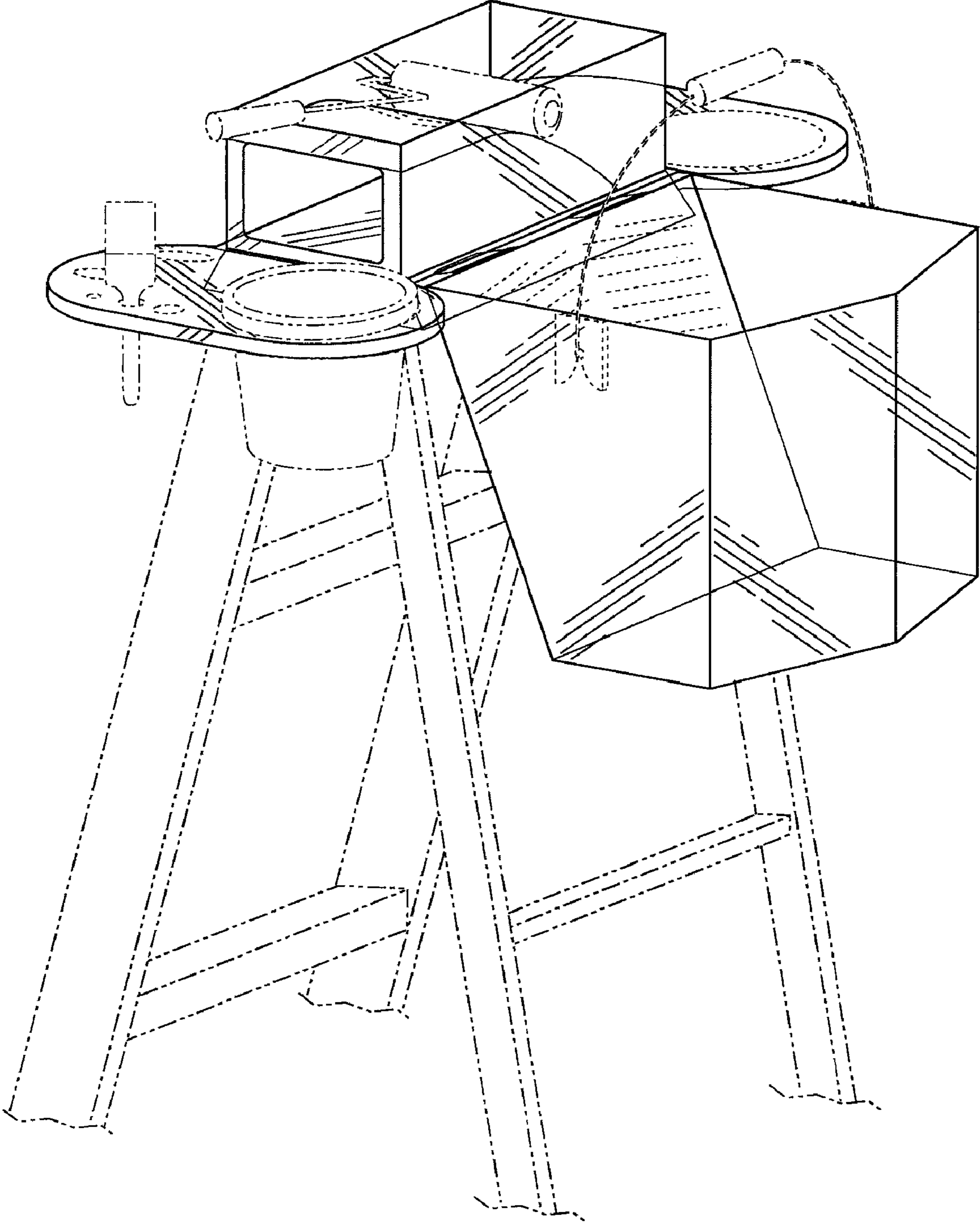


FIG. 2

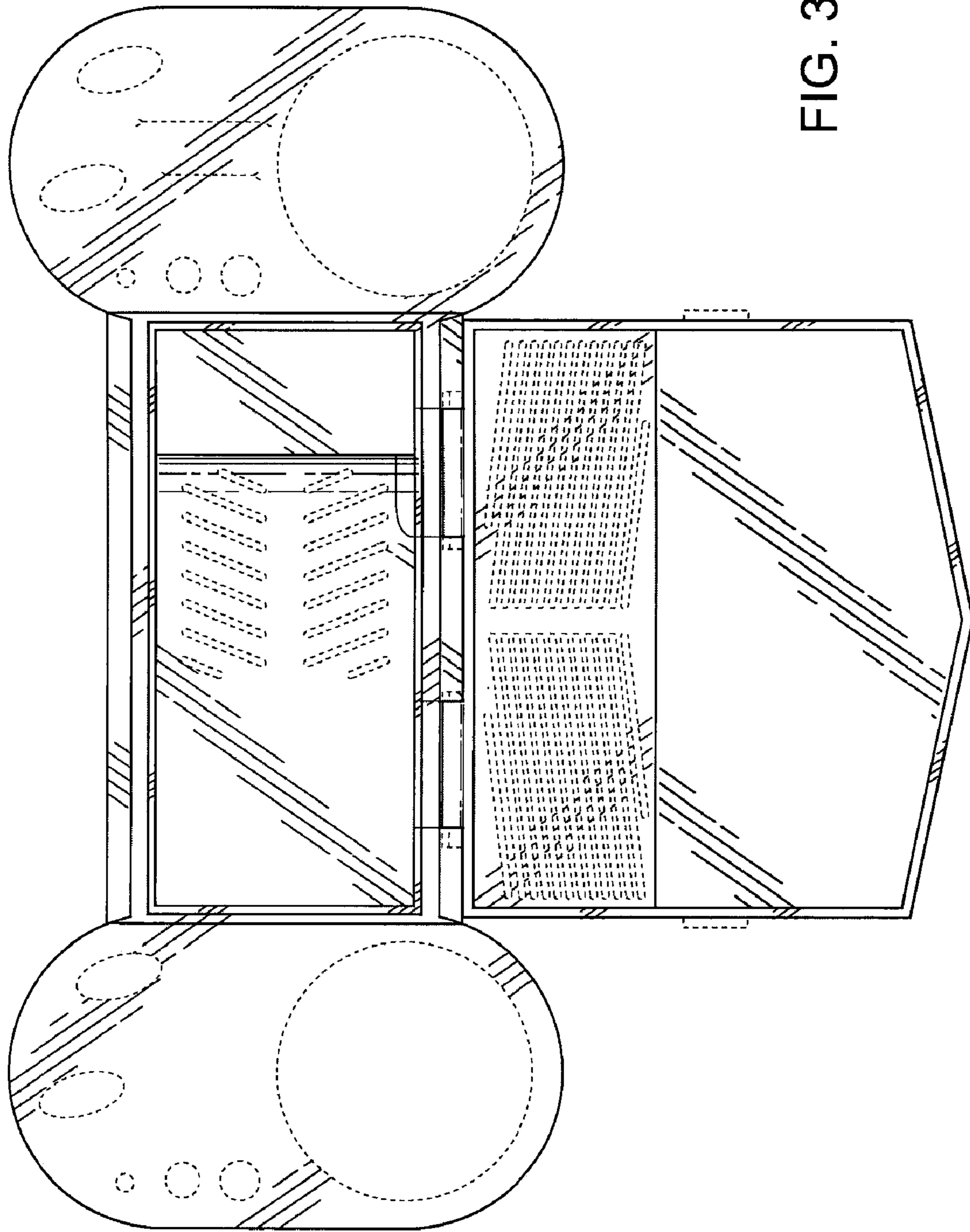


FIG. 3

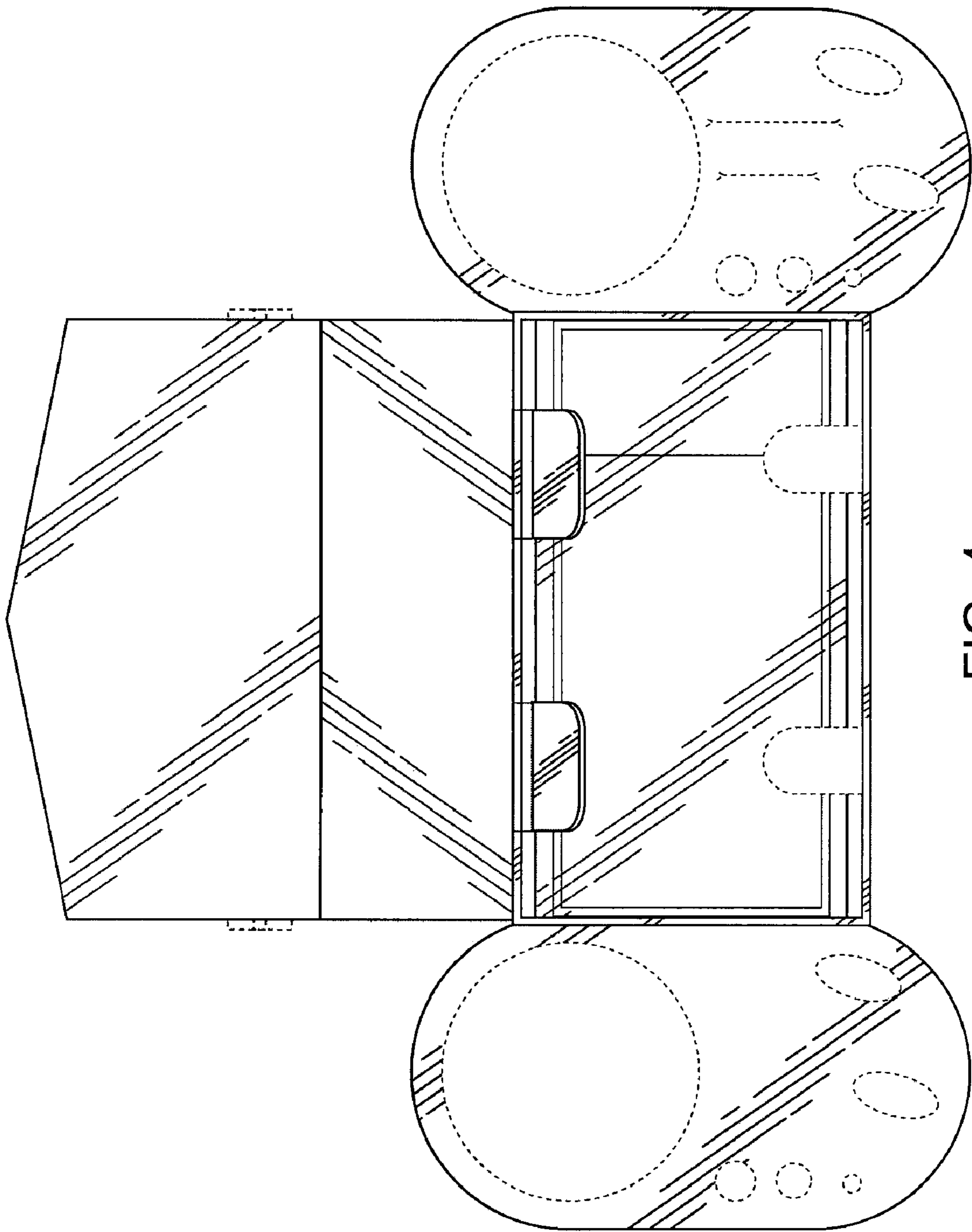


FIG. 4

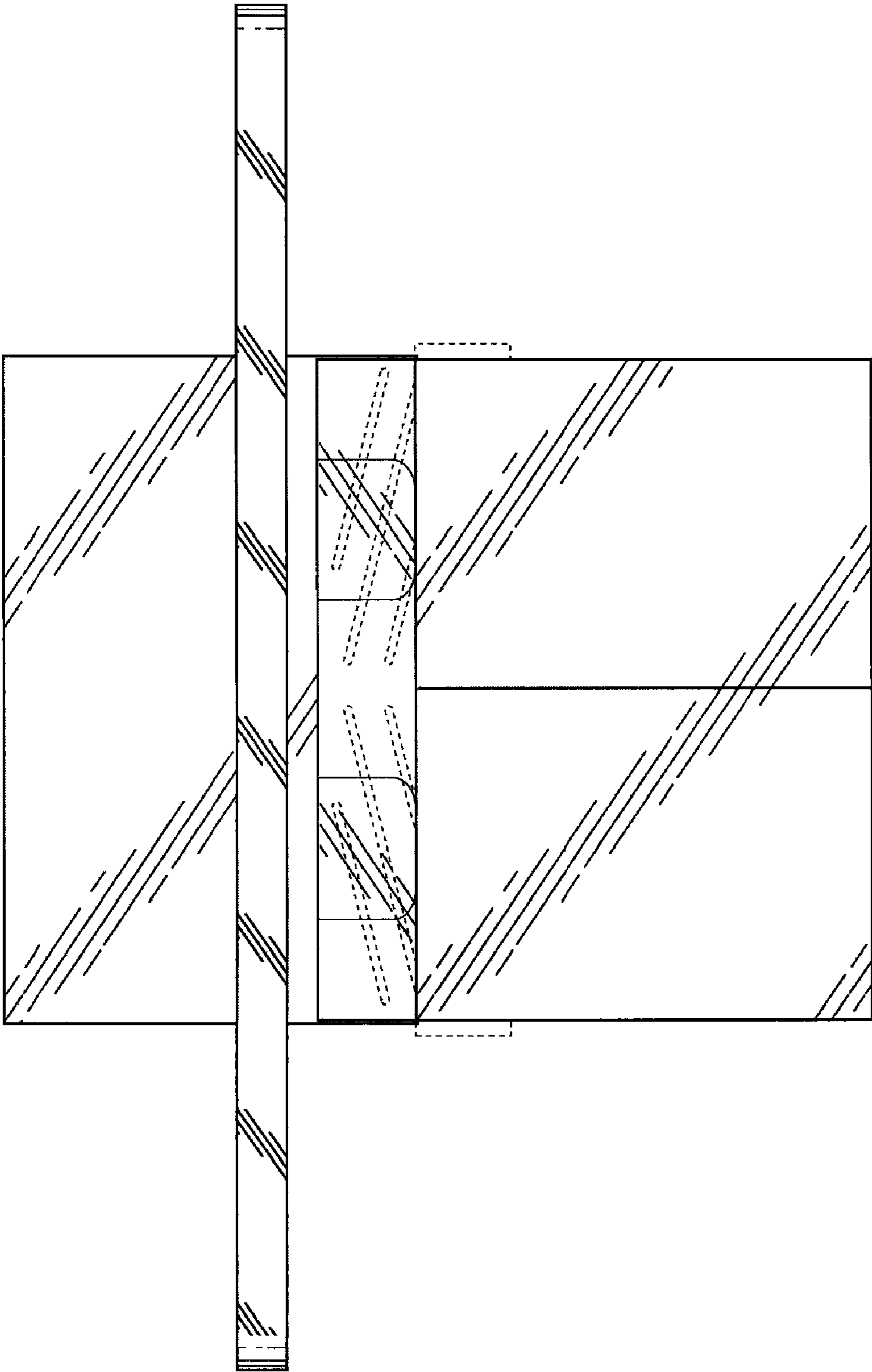


FIG. 5

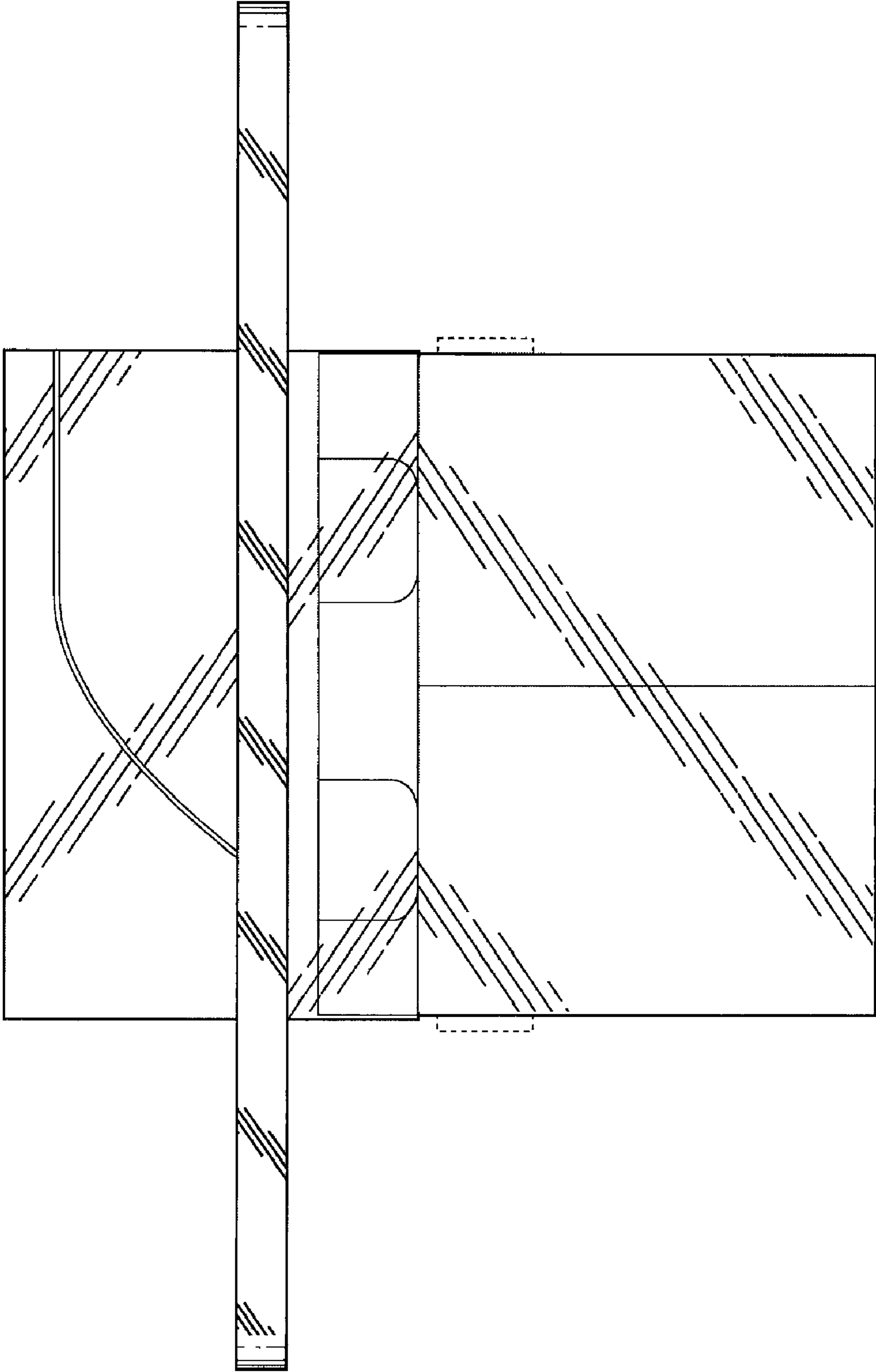


FIG. 6

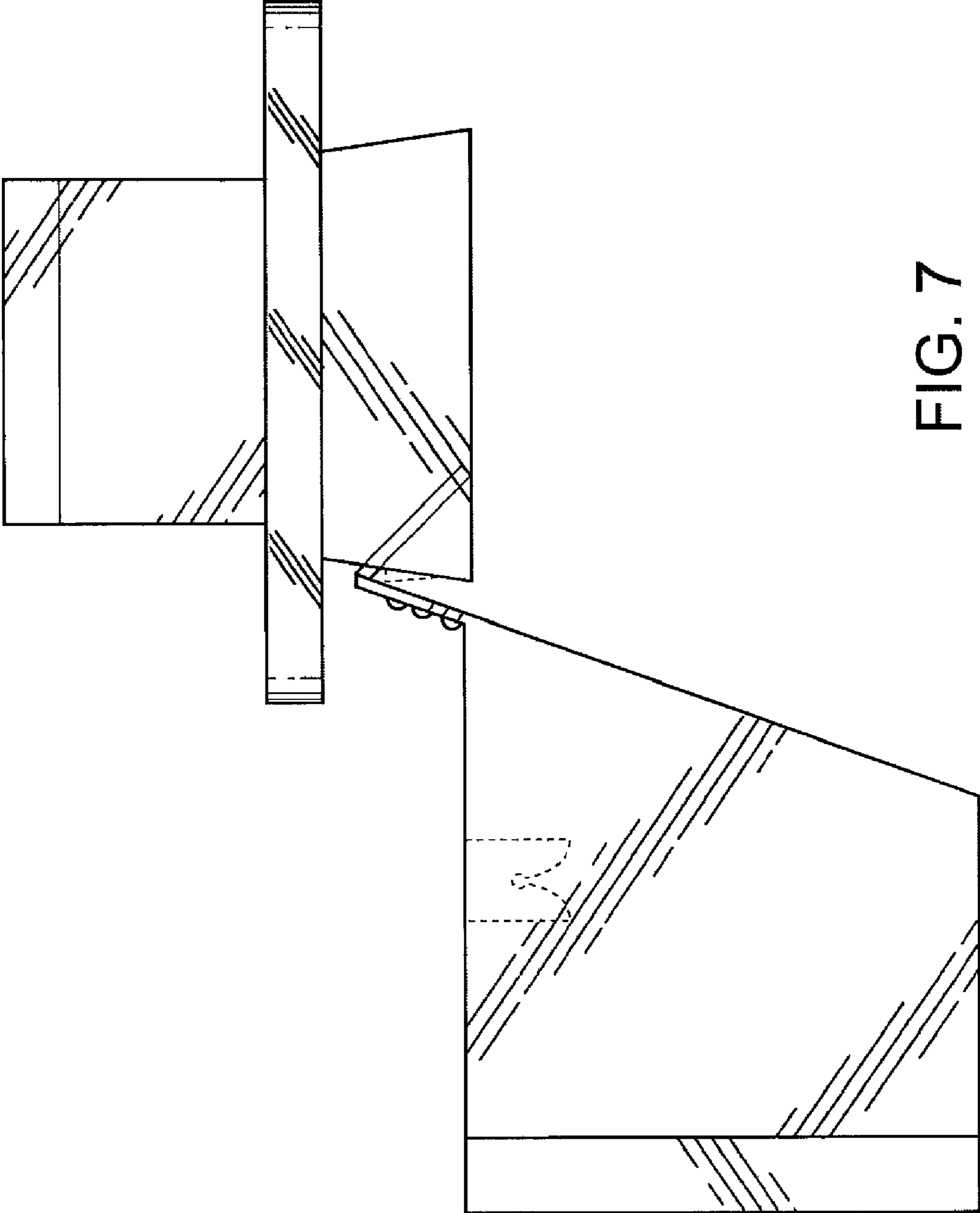


FIG. 7

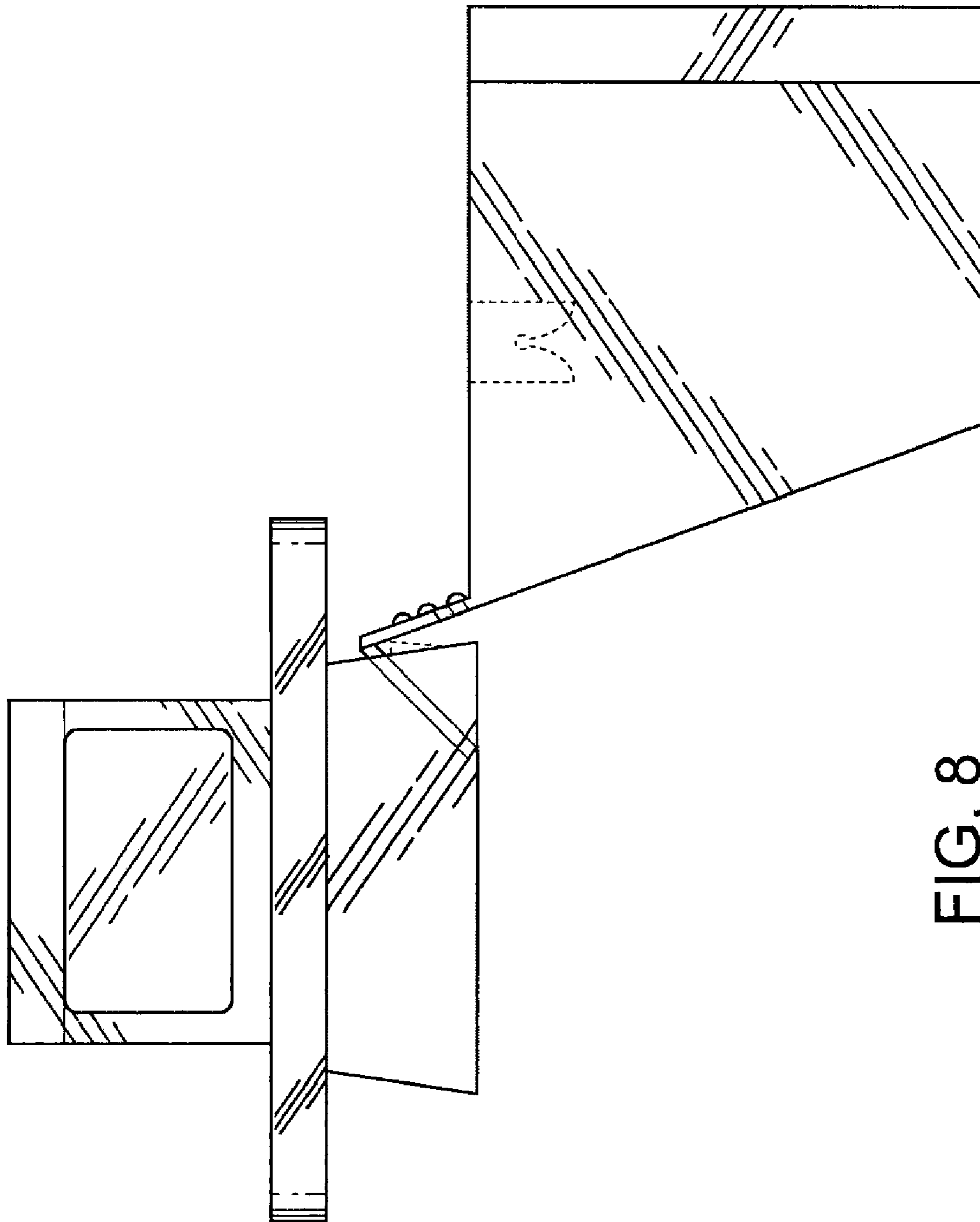


FIG. 8