



US00D620612S

(12) **United States Design Patent**
Selles

(10) **Patent No.:** **US D620,612 S**
(45) **Date of Patent:** **** Jul. 27, 2010**

(54) **ROLLING SHUTTER CASING ELEMENT**

D558,358 S * 12/2007 DiGennaro et al. D25/60
2009/0229767 A1 * 9/2009 Mullet et al. 160/26

(76) Inventor: **Moshe Selles**, .Gordon 3. Neve Haim,
Hadera (IL)

* cited by examiner

(**) Term: **14 Years**

Primary Examiner—Doris Clark

(21) Appl. No.: **29/339,082**

(57) **CLAIM**

(22) Filed: **Jun. 24, 2009**

I claim the ornamental design for a rolling shutter casing element, as shown and described.

(30) **Foreign Application Priority Data**

Dec. 24, 2008 (EP) I 001063390

DESCRIPTION

(51) **LOC (9) Cl.** **25-02**

FIG. 1 is a top view of a rolling shutter casing element, in accordance with the design of the present invention;

(52) **U.S. Cl.** **D25/60**

FIG. 2 is a bottom view of a rolling shutter casing element, in accordance with the design of the present invention;

(58) **Field of Classification Search** D25/47,
D25/60; 160/23.1, 26, 33, 29, 38, 66, 133,
160/238, 239

FIG. 3 is a side view of a rolling shutter casing element, in accordance with the design of the present invention;

See application file for complete search history.

FIG. 4 is a front view of a rolling shutter casing element, in accordance with the design of the present invention;

(56) **References Cited**

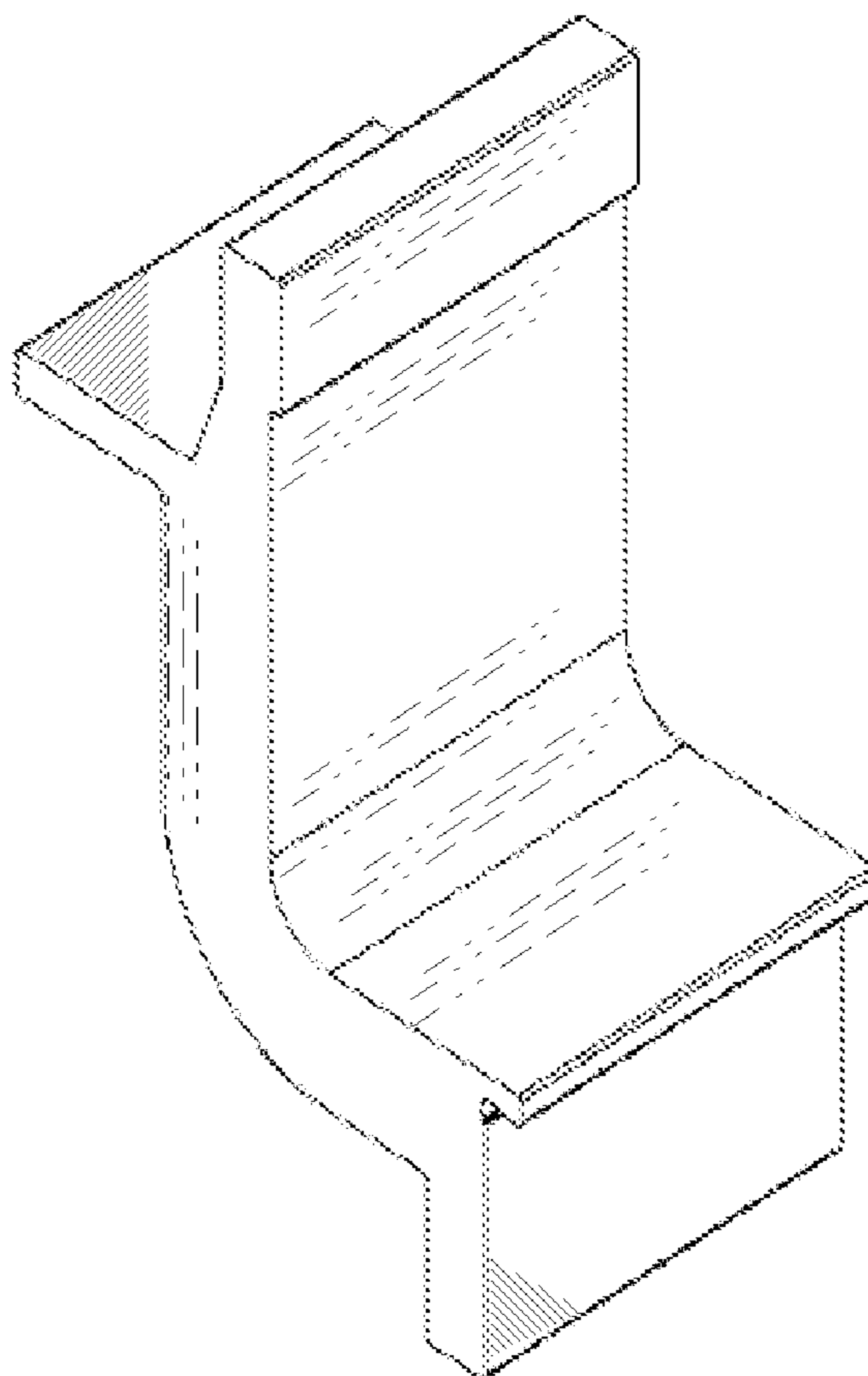
U.S. PATENT DOCUMENTS

FIG. 5 is a back view of a rolling shutter casing element, in accordance with the design of the present invention; and,

D222,830 S * 1/1972 Dover D25/119
5,088,543 A * 2/1992 Bilbrey 160/310
5,673,739 A * 10/1997 Brutsaert 160/22
5,839,493 A * 11/1998 Quasius 160/133
6,111,694 A * 8/2000 Shopp 359/461

FIG. 6 is an isometric view of a rolling shutter casing element, in accordance with the design of the present invention.

1 Claim, 1 Drawing Sheet



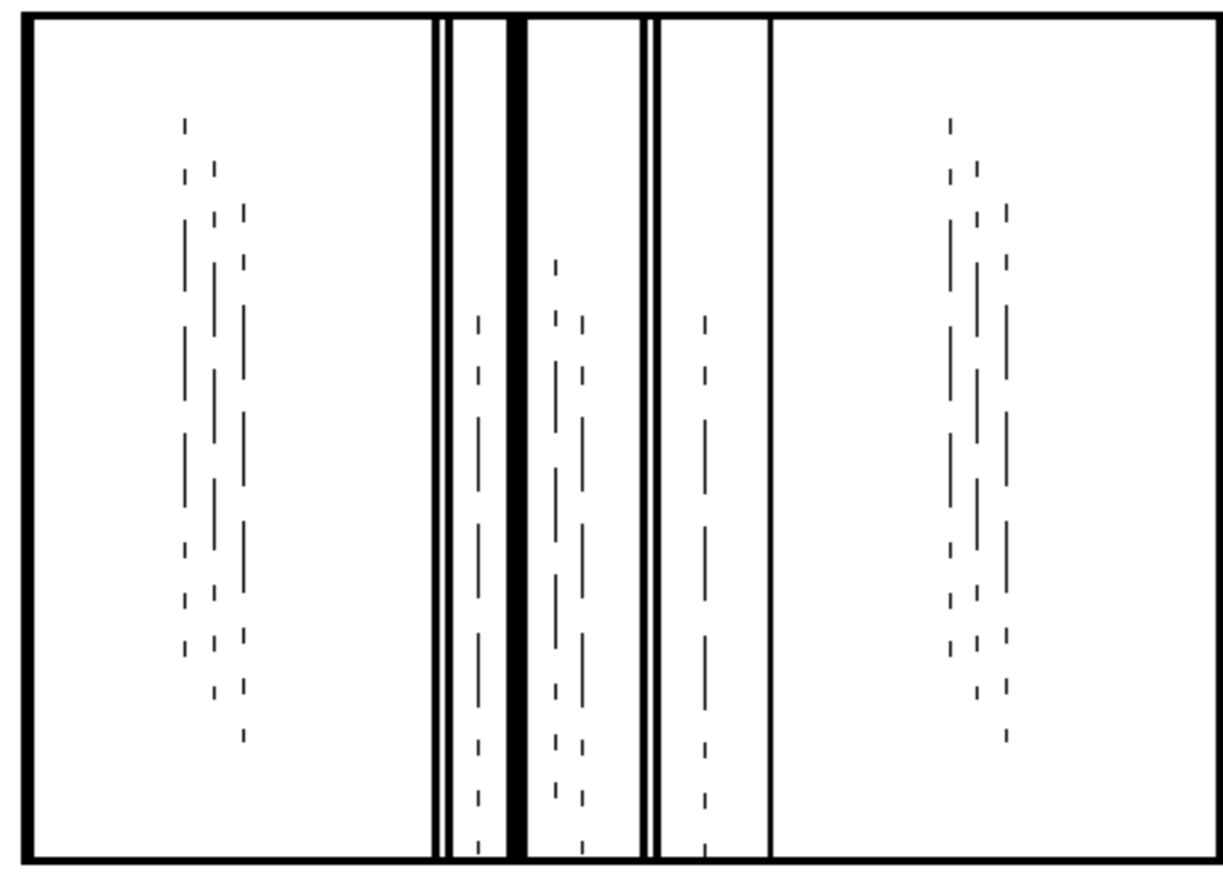


Fig. 1

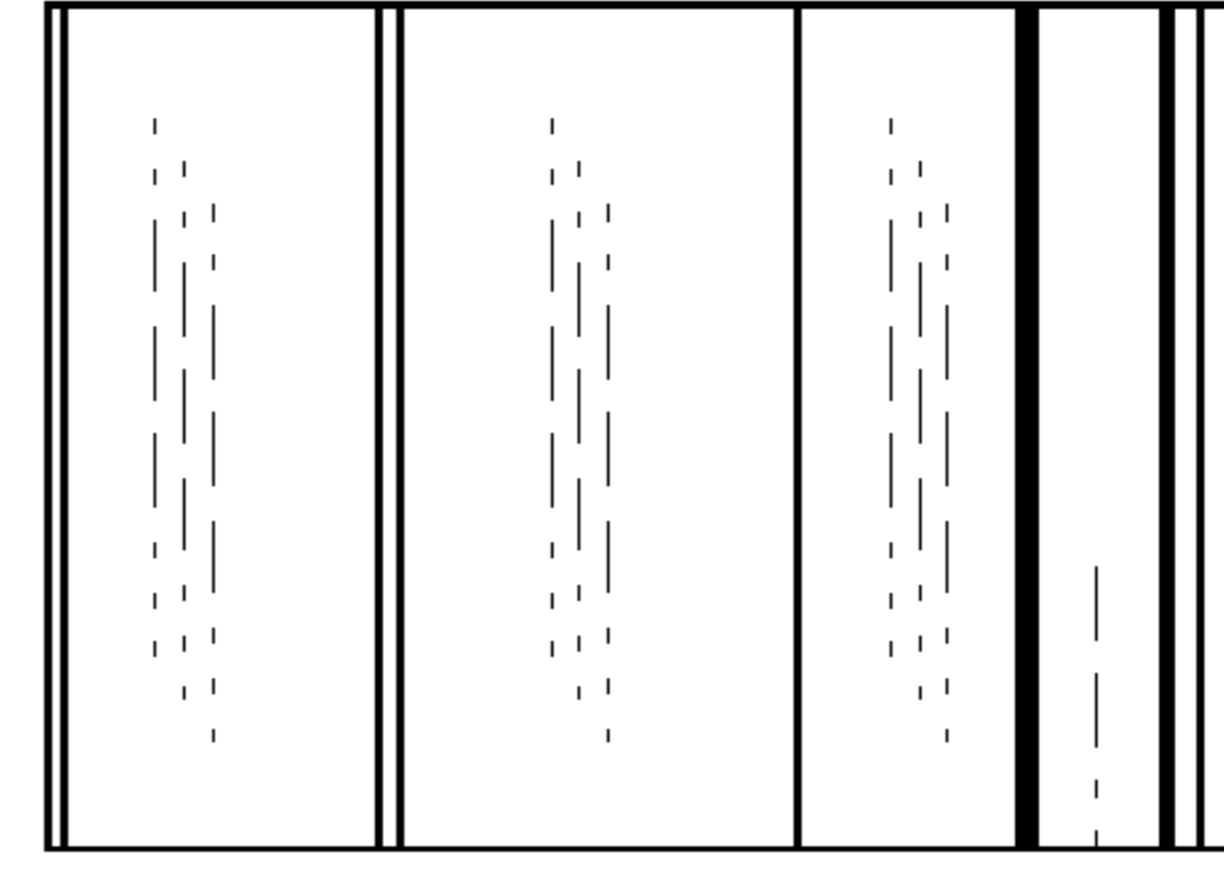


Fig. 2

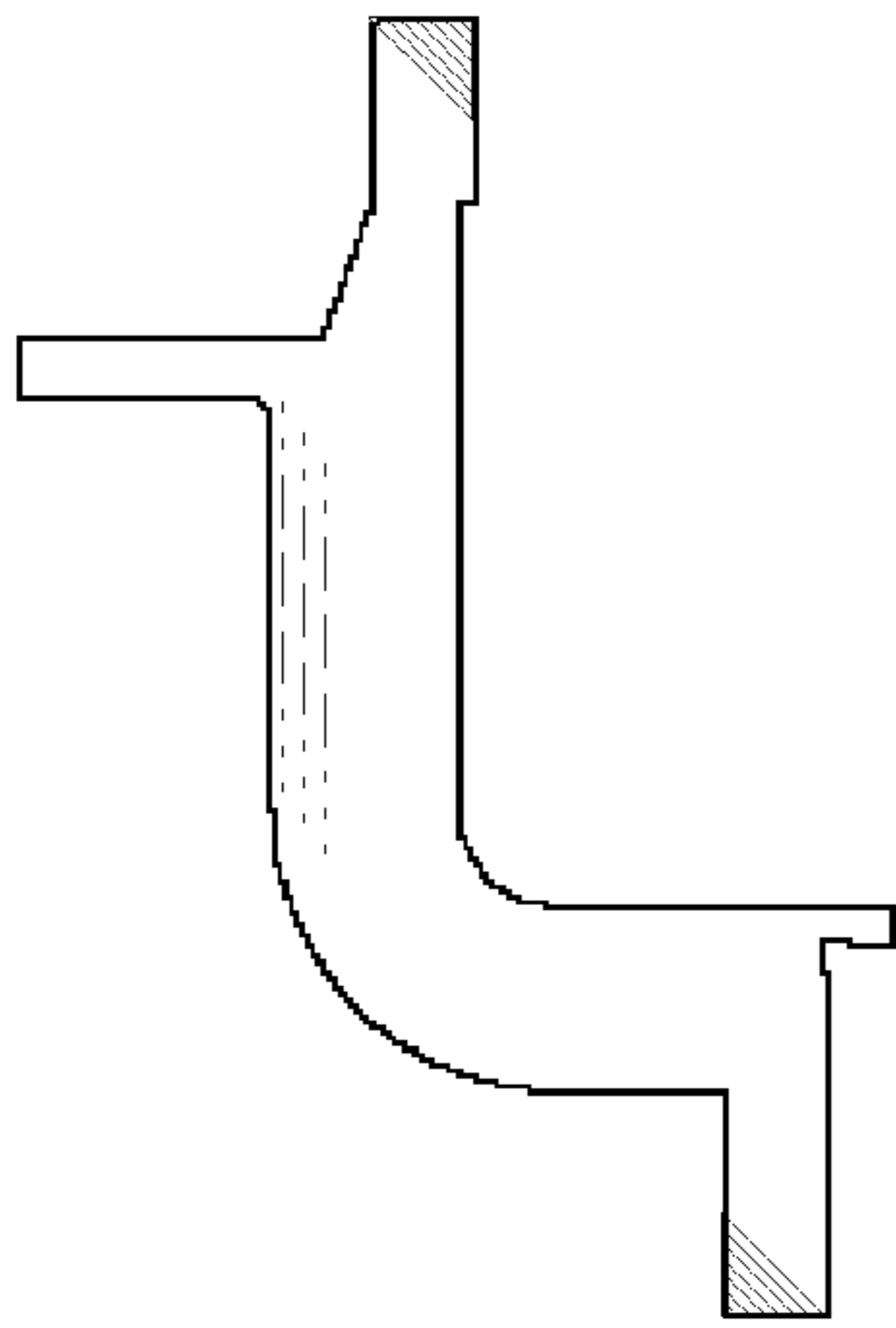


Fig. 3

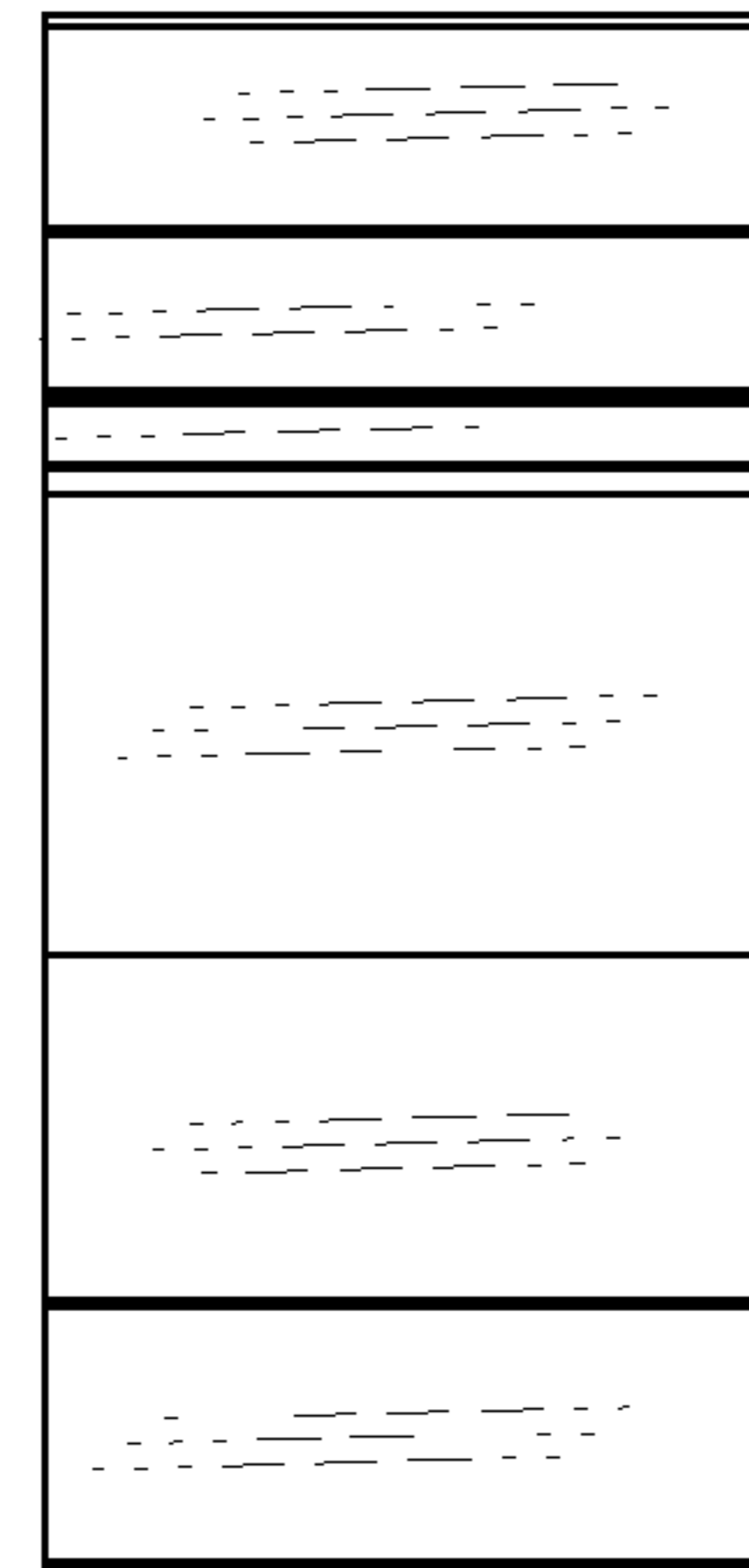


Fig. 4

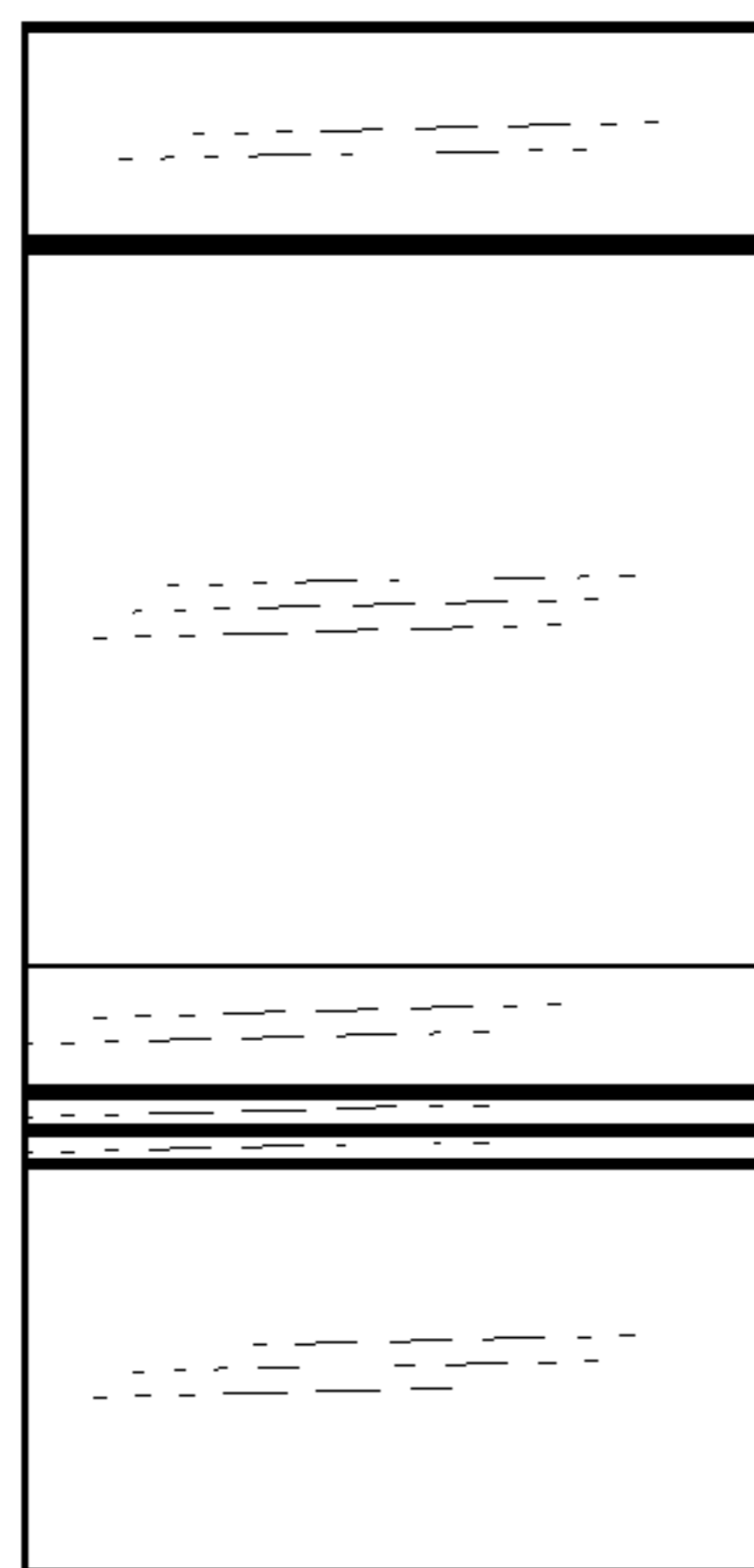


Fig. 5

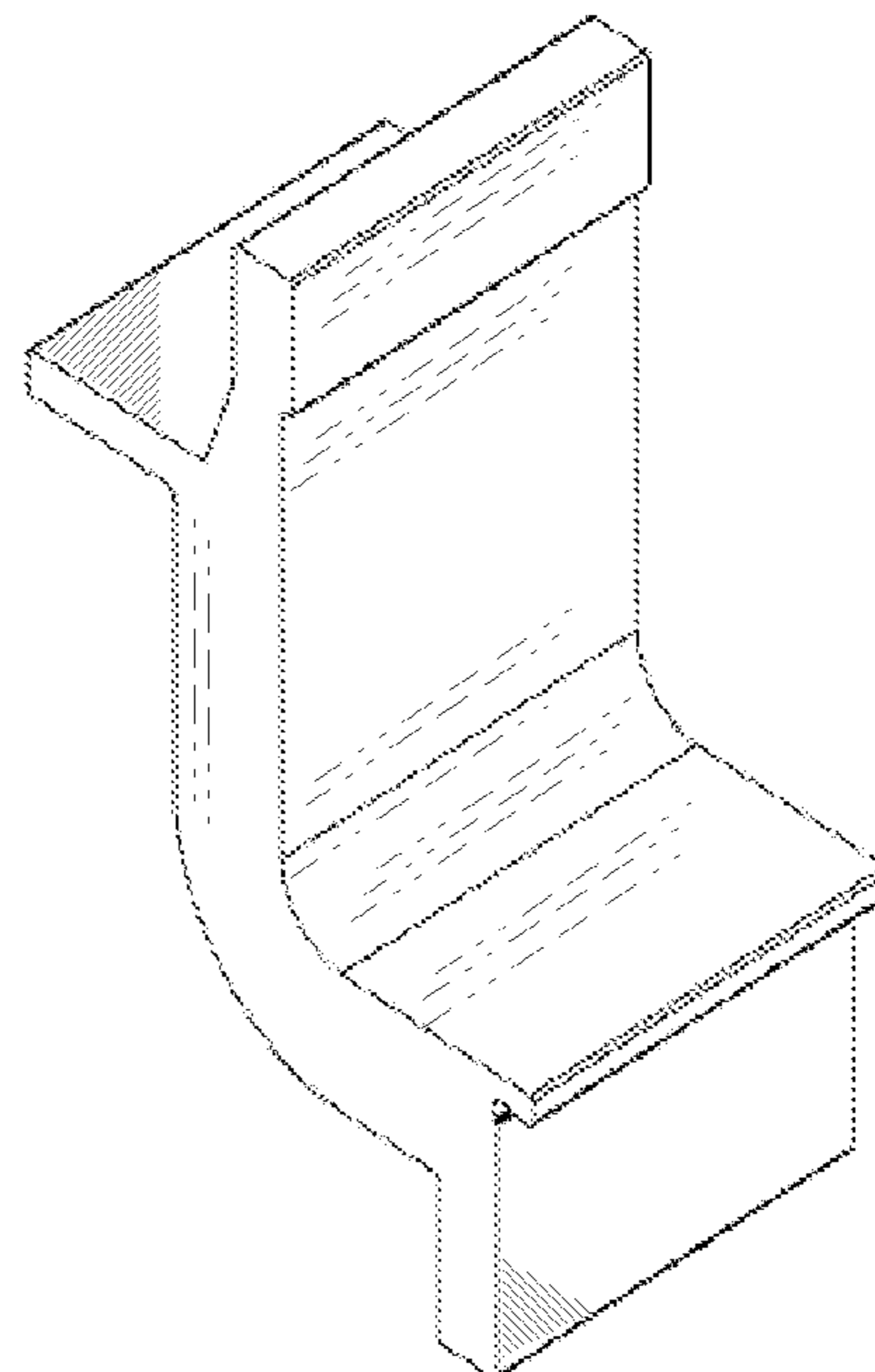


Fig. 6