



US00D620610S

(12) **United States Design Patent**  
**Selles**

(10) **Patent No.:** **US D620,610 S**  
(45) **Date of Patent:** **\*\* Jul. 27, 2010**

(54) **ROLLING SHUTTER CASING ELEMENT**

D558,358 S \* 12/2007 DiGennaro ..... D25/60  
2009/0229767 A1 \* 9/2009 Mullet et al. .... 160/26

(76) Inventor: **Moshe Selles**, .Gordon 3. Neve Haim,  
Hadera (IL)

\* cited by examiner

(\*\*) Term: **14 Years**

*Primary Examiner*—Doris Clark

(21) Appl. No.: **29/339,078**

(57) **CLAIM**

(22) Filed: **Jun. 24, 2009**

I claim the ornamental design for a rolling shutter casing element, as shown and described.

(30) **Foreign Application Priority Data**

Dec. 24, 2008 (EM) ..... 001063390

**DESCRIPTION**

(51) **LOC (9) Cl.** ..... **25-02**

FIG. 1 is a top view of a rolling shutter casing element, in accordance with the design of the present invention;

(52) **U.S. Cl.** ..... **D25/60**

FIG. 2 is a bottom view of a rolling shutter casing element, in accordance with the design of the present invention;

(58) **Field of Classification Search** ..... D25/47,  
D25/60; 160/23.1, 26, 33, 29, 38, 66, 133,  
160/238, 239

FIG. 3 is a side view of a rolling shutter casing element, in accordance with the design of the present invention;

See application file for complete search history.

FIG. 4 is a front view of a rolling shutter casing element, in accordance with the design of the present invention;

(56) **References Cited**

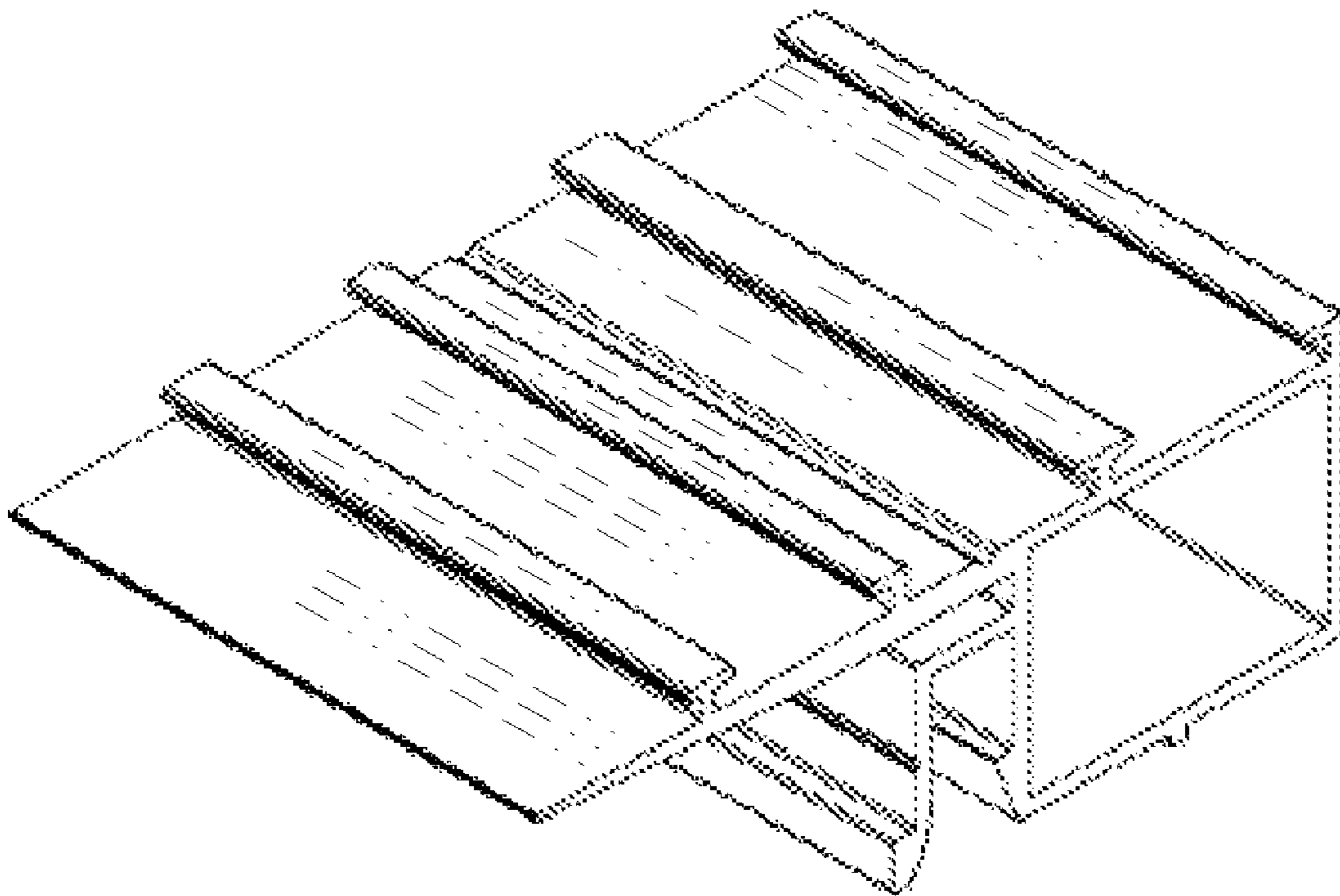
**U.S. PATENT DOCUMENTS**

D222,830 S \* 1/1972 Dover ..... D25/119  
5,088,543 A \* 2/1992 Bilbrey ..... 160/310  
5,673,739 A \* 10/1997 Brutsaert ..... 160/22  
5,839,493 A \* 11/1998 Quasius ..... 160/133  
6,111,694 A \* 8/2000 Shopp ..... 359/461

FIG. 5 is a back view of a rolling shutter casing element, in accordance with the design of the present invention; and,

FIG. 6 is an isometric view of a rolling shutter casing element, in accordance with the design of the present invention.

**1 Claim, 1 Drawing Sheet**



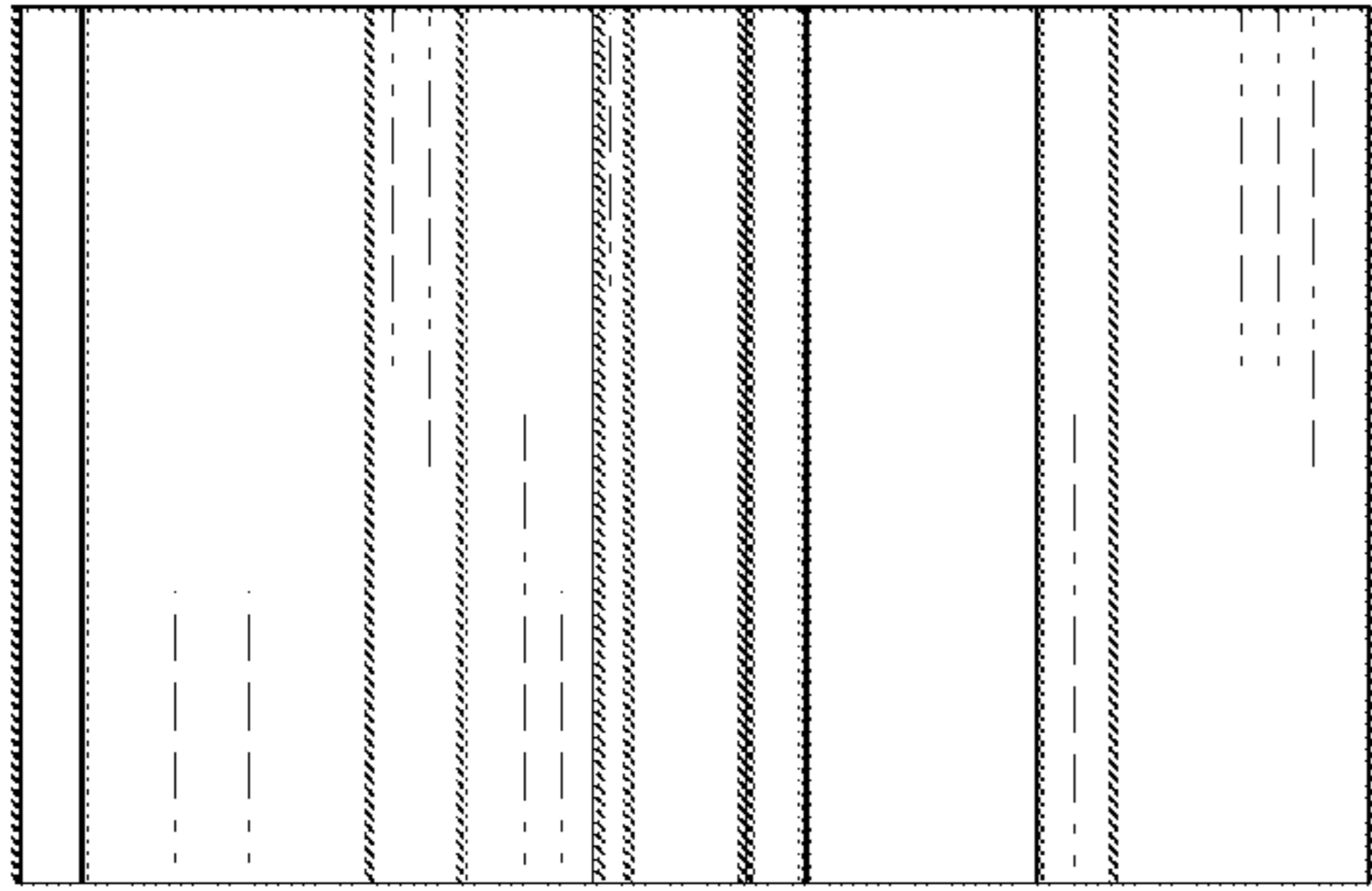


Fig. 1

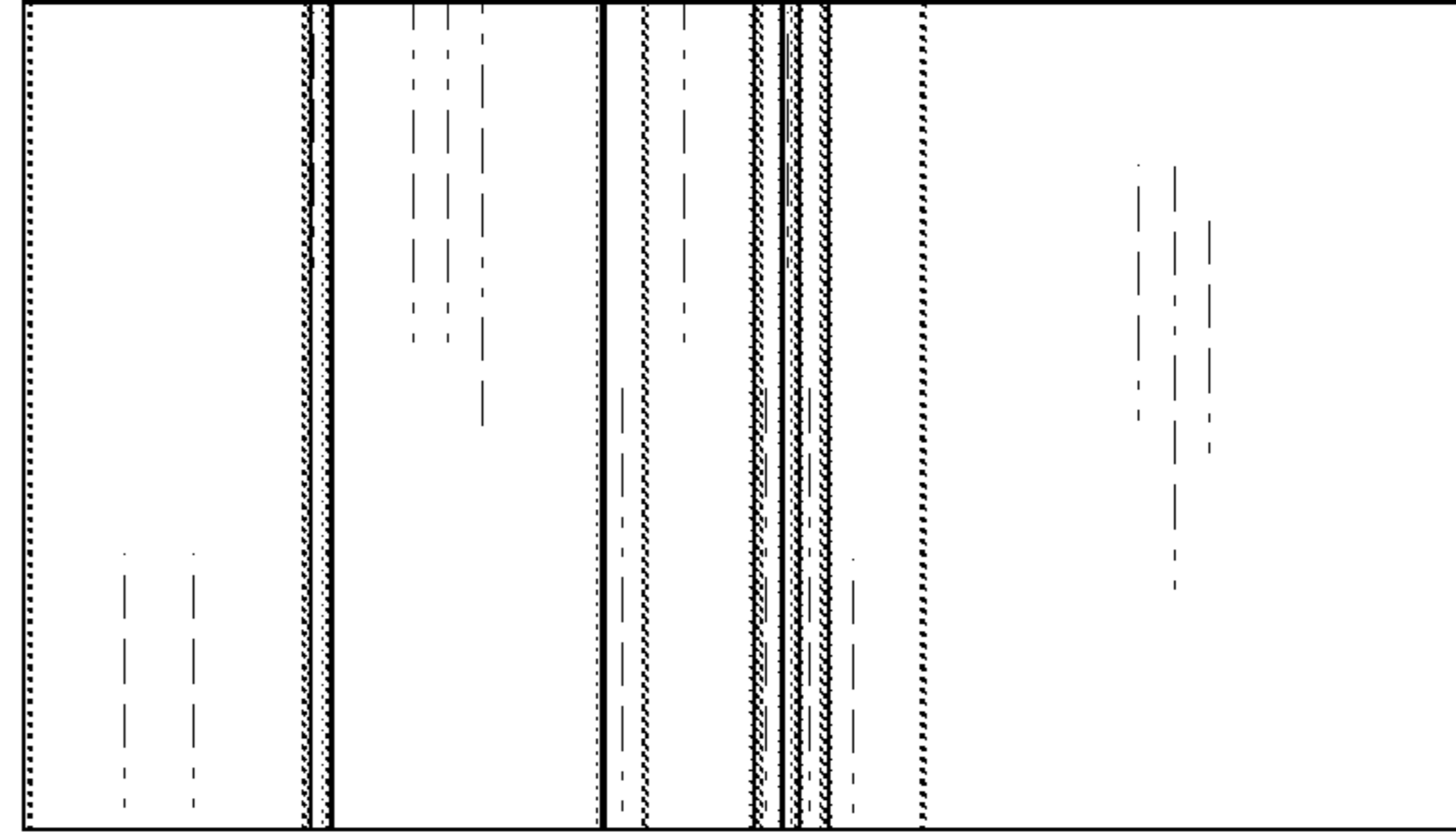


Fig. 2

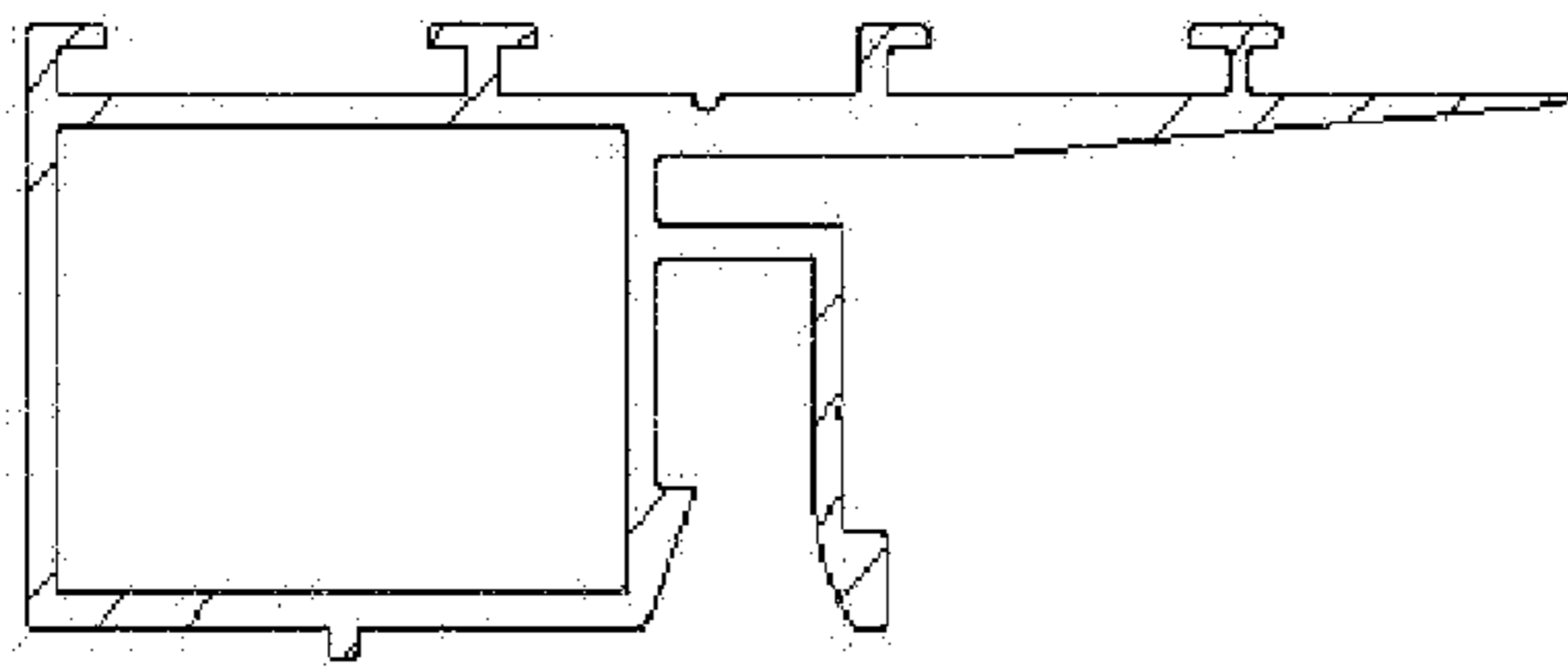


Fig. 3

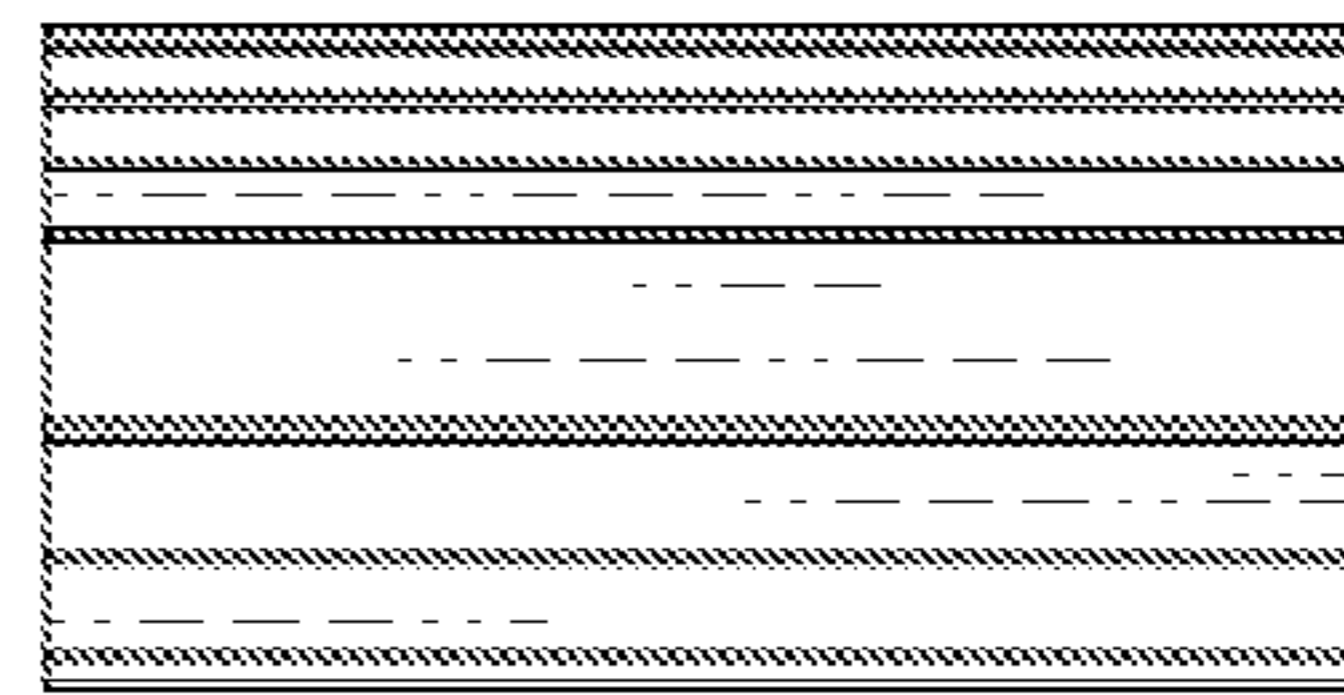


Fig. 4

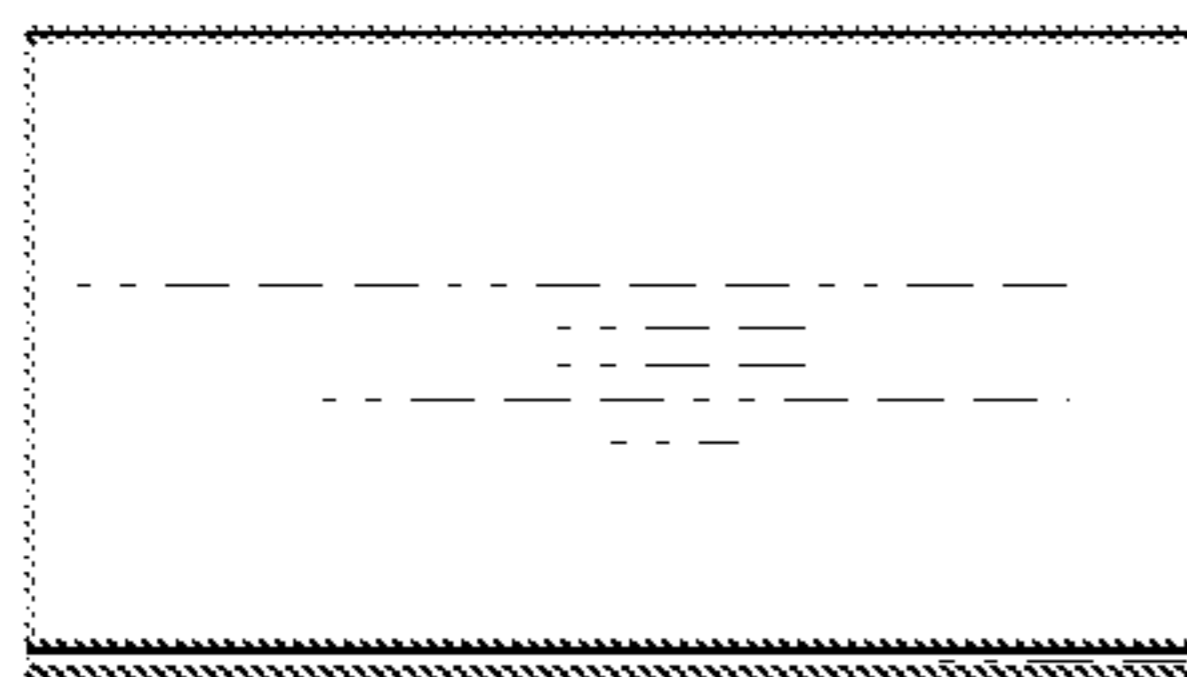


Fig. 5

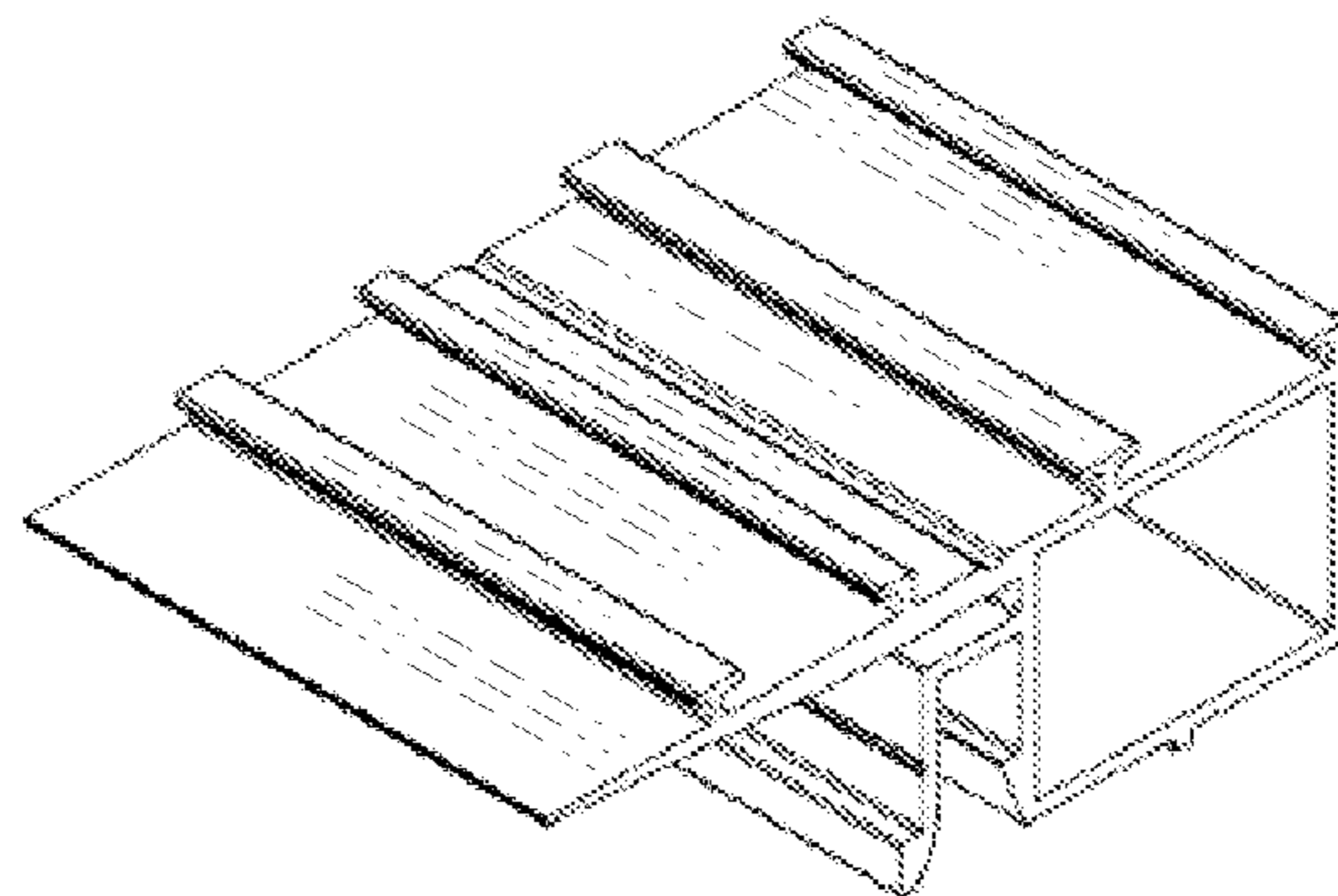


Fig. 6