



US00D620607S

(12) **United States Design Patent**
Anderson et al.

(10) **Patent No.:** **US D620,607 S**

(45) **Date of Patent:** **** Jul. 27, 2010**

(54) **CUP FOR PILL CRUSHING**

(75) Inventors: **Sean D. Anderson**, Powhatan, VA (US);
William Riley, Richmond, VA (US);
Brian D. Bell, Wyoming, NY (US)

(73) Assignee: **First Wave Products Group, LLC**,
Batavia, NY (US)

(**) Term: **14 Years**

(21) Appl. No.: **29/346,077**

(22) Filed: **Oct. 27, 2009**

(51) **LOC (9) Cl.** **24-02**

(52) **U.S. Cl.** **D24/231; D24/220**

(58) **Field of Classification Search** D24/220,
D24/121, 197, 231, 232; D7/400, 509, 667,
D7/691, 316, 317; D15/5; D23/209, 365;
241/168, 169, 136, 30, 169.1; 604/708; 422/98-102
See application file for complete search history.

(56) **References Cited**

U.S. PATENT DOCUMENTS

D249,110	S	*	8/1978	Newmark	D7/509
4,135,512	A	*	1/1979	Godsey	604/78
D285,515	S	*	9/1986	Papciak	D7/509
5,067,666	A	*	11/1991	Sussman	241/36
D337,828	S	*	7/1993	Gordon	D24/220
D343,451	S	*	1/1994	Voychehovski	D24/121
5,553,793	A	*	9/1996	Klearman et al.	241/30
D395,503	S	*	6/1998	Kushnir	D24/121
6,059,209	A	*	5/2000	Barson	241/168
D433,148	S	*	10/2000	Dennis	D24/220
D474,836	S	*	5/2003	Chang	D23/365
6,637,685	B1	*	10/2003	Kruger	241/169.1
D514,398	S	*	2/2006	Feil	D7/667

D524,599	S	*	7/2006	Bodum	D7/400
D530,807	S	*	10/2006	Miyagishima et al.	D15/5
D545,622	S	*	7/2007	Gomez	D24/220
7,427,041	B2	*	9/2008	Hall et al.	241/168
D592,011	S	*	5/2009	Fujimoto et al.	D7/509
D593,795	S	*	6/2009	Tremblay	D7/400
7,543,770	B2	*	6/2009	Peron et al.	241/169
7,559,496	B2	*	7/2009	Shewchuk	241/169
D604,800	S	*	11/2009	Vreeland	D23/209

* cited by examiner

Primary Examiner—T. Chase Nelson

Assistant Examiner—Mark Cavanna

(74) *Attorney, Agent, or Firm*—Woods Oviatt Gilman LLP

(57) **CLAIM**

The cup for pill crushing, as shown and described.

DESCRIPTION

FIG. 1 is a perspective view of a cup according to the invention;

FIG. 2 is a side elevational view thereof;

FIG. 3 is a side elevational view thereof rotated 90° with respect to FIG. 2;

FIG. 4 is a side elevational view thereof rotated 90° with respect to FIG. 3;

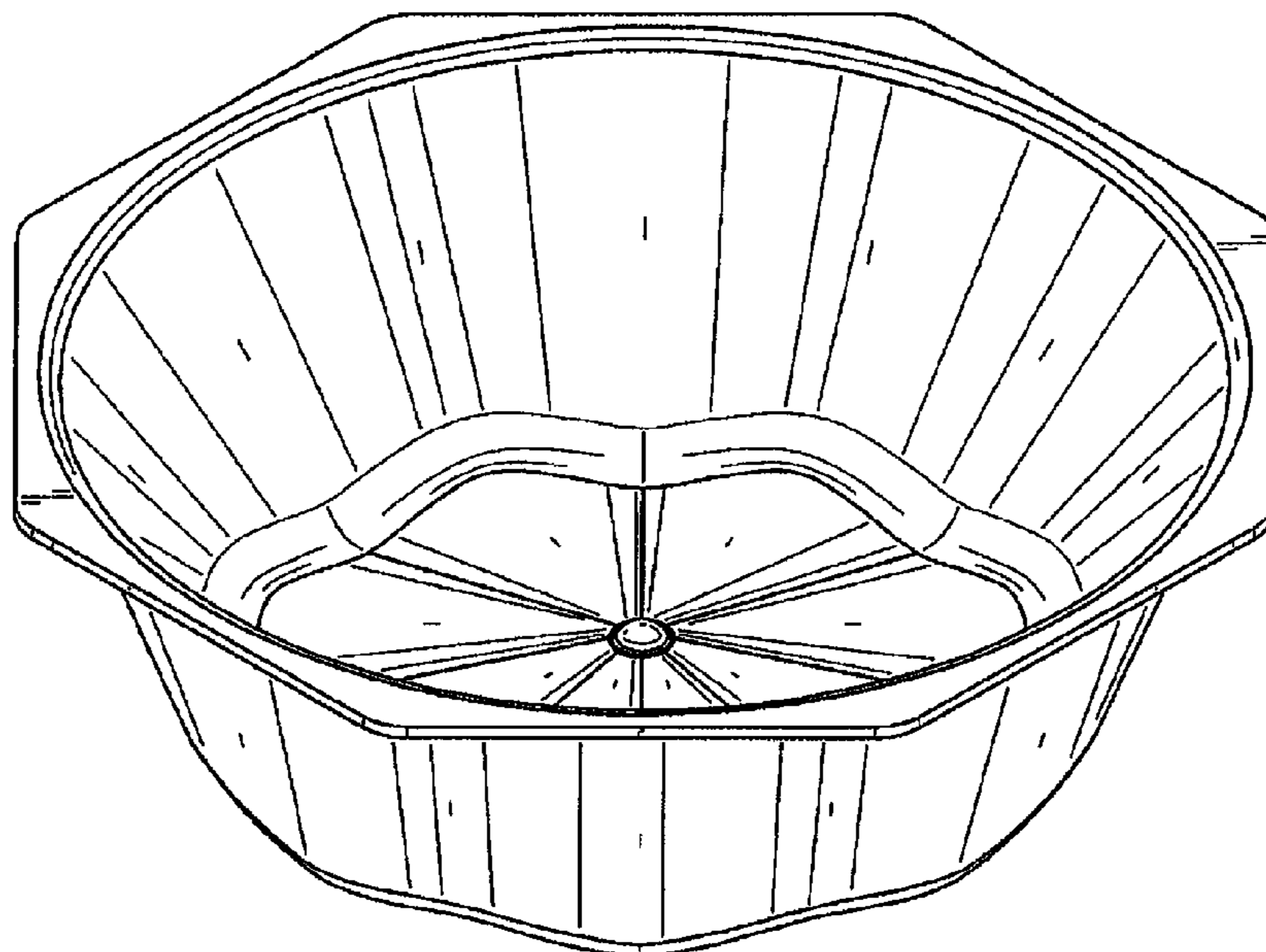
FIG. 5 is a side elevational view thereof rotated 90° with respect to FIG. 4;

FIG. 6 is a top plan view thereof; and,

FIG. 7 is a bottom plan view thereof.

The broken lines shown are included for the purpose of illustrating a portions of the cup for pill crushing that form no part of the claimed design.

1 Claim, 5 Drawing Sheets



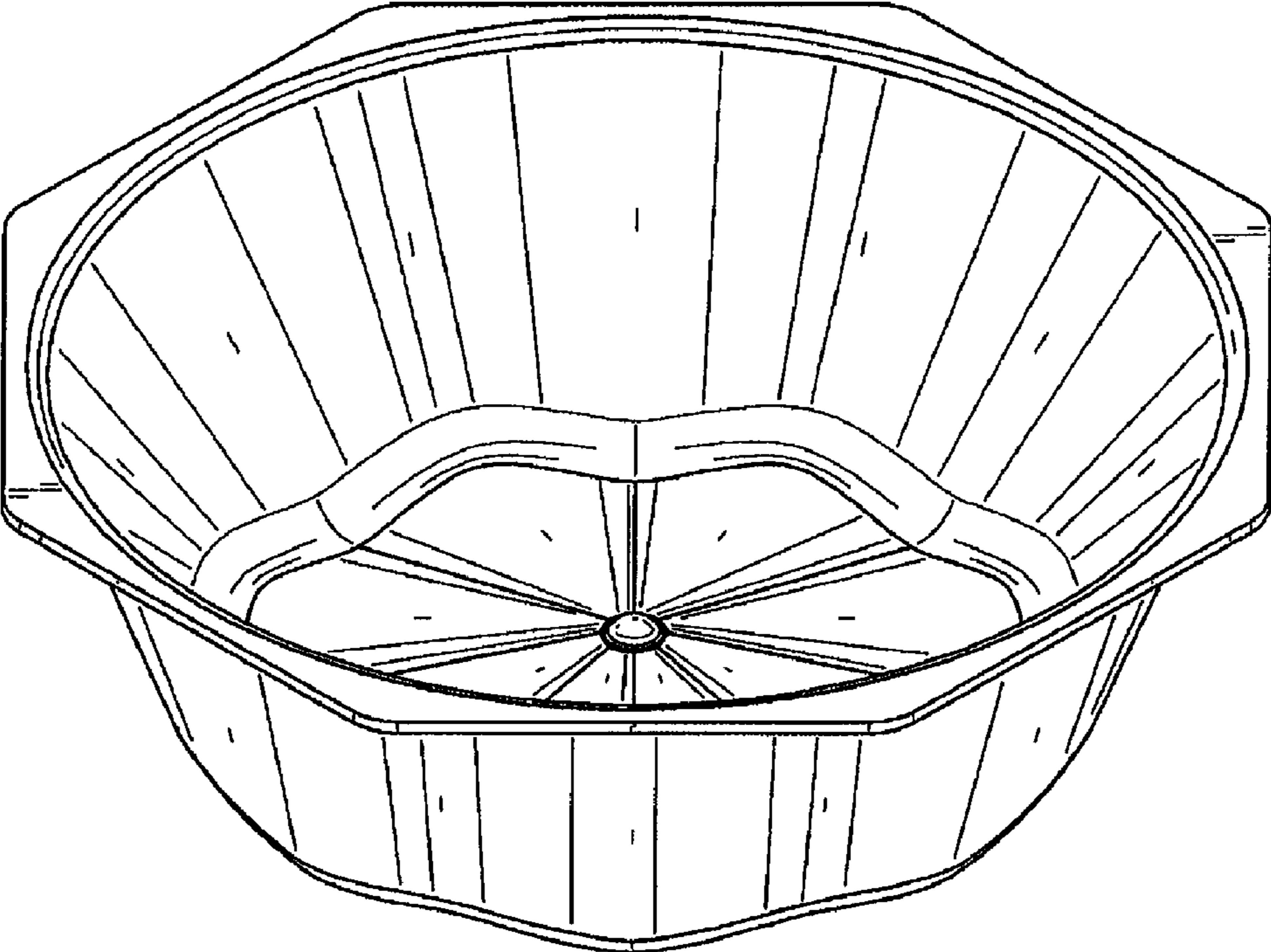


FIG. 1

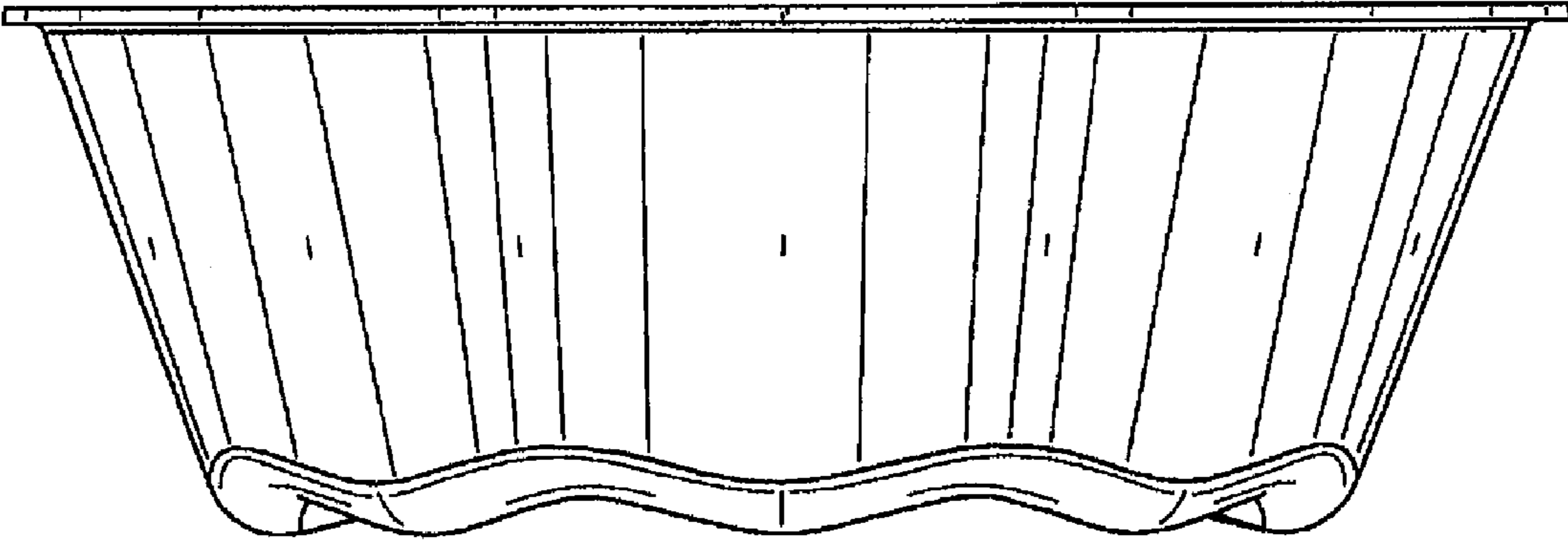


FIG. 2

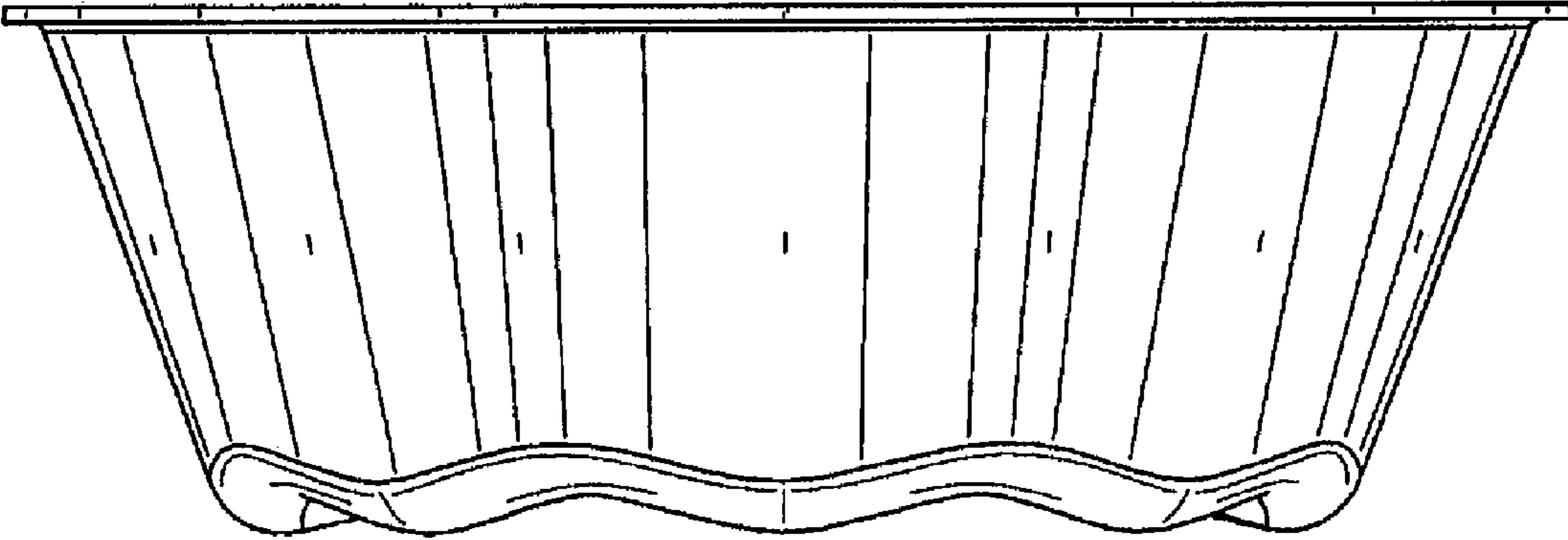


FIG. 3

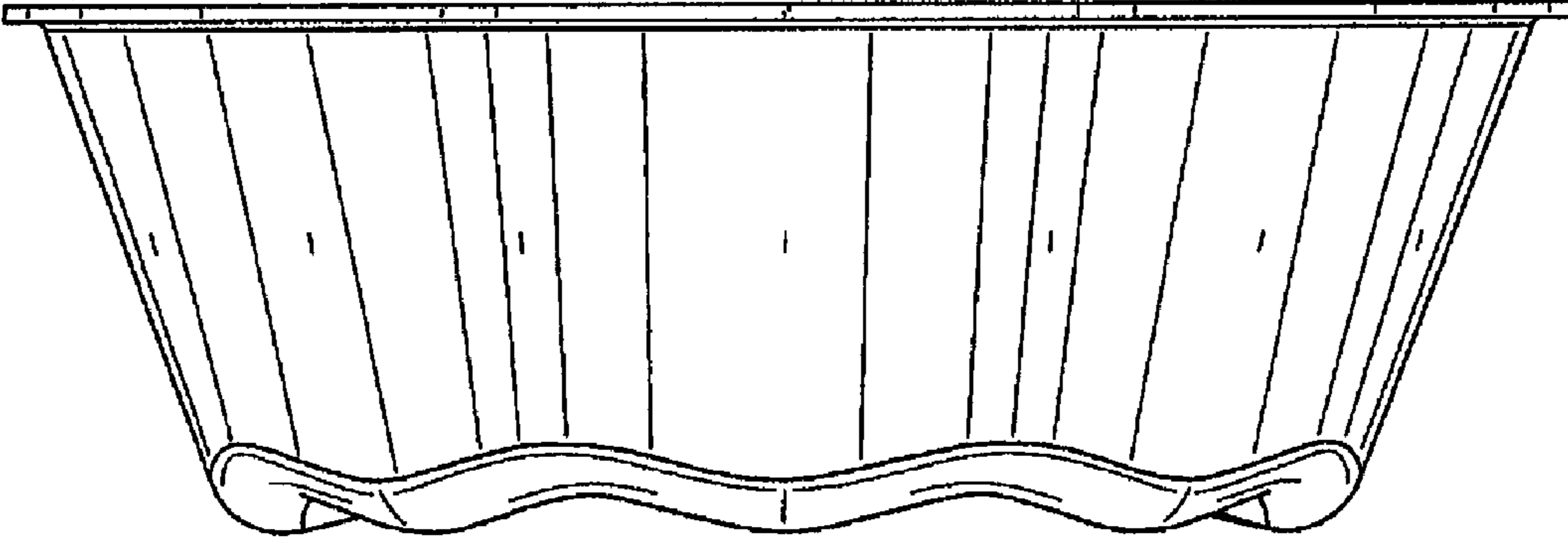


FIG. 4

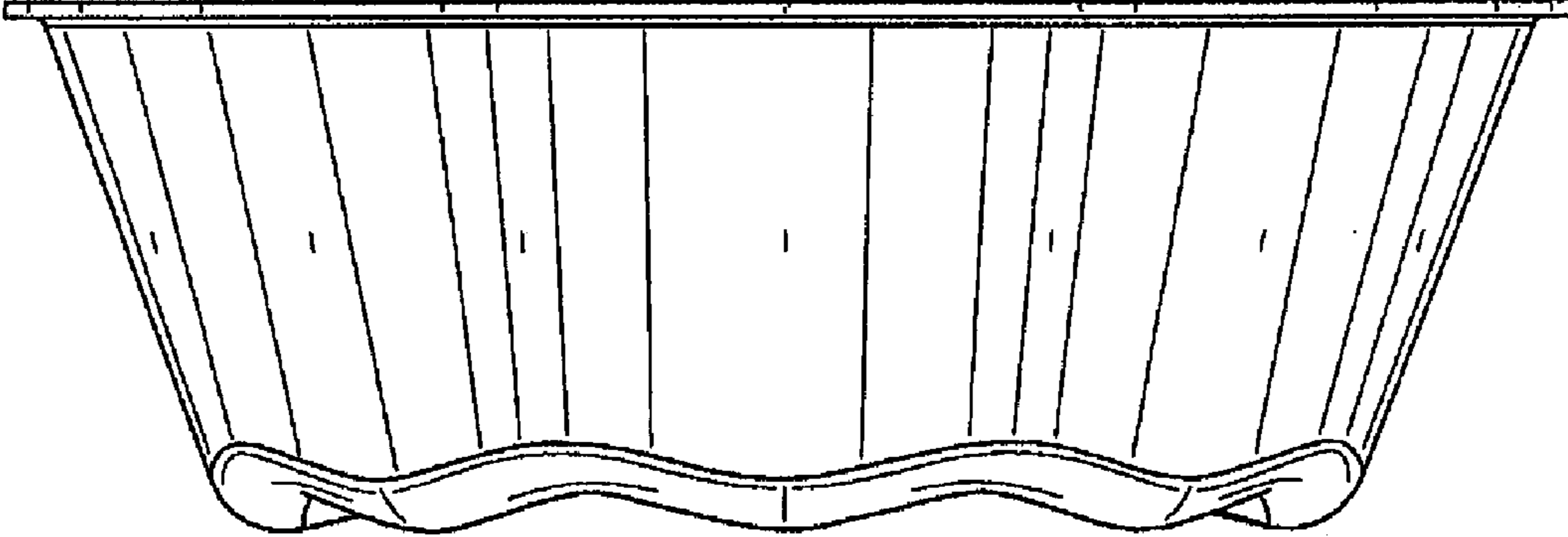


FIG. 5

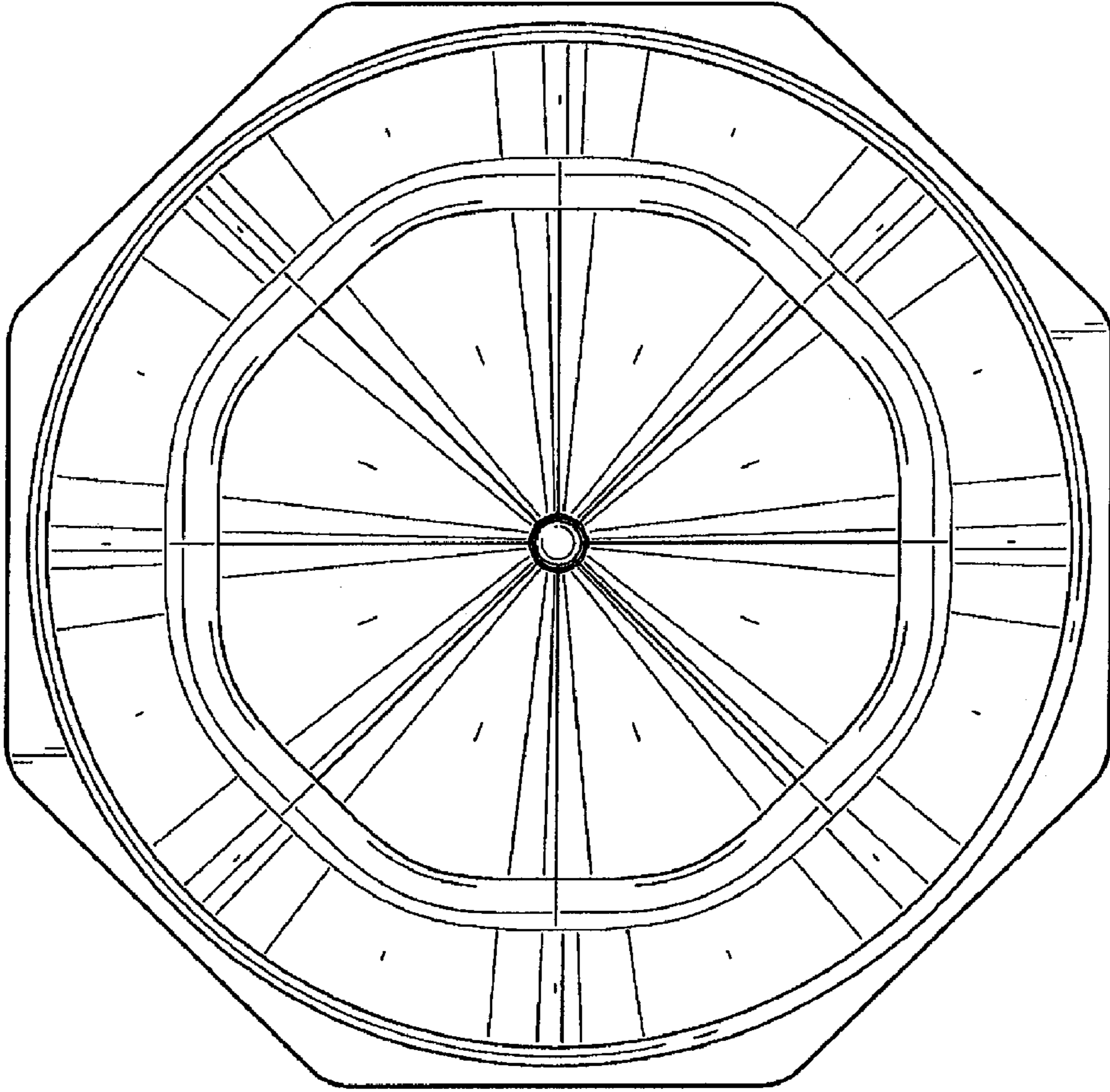


FIG. 6

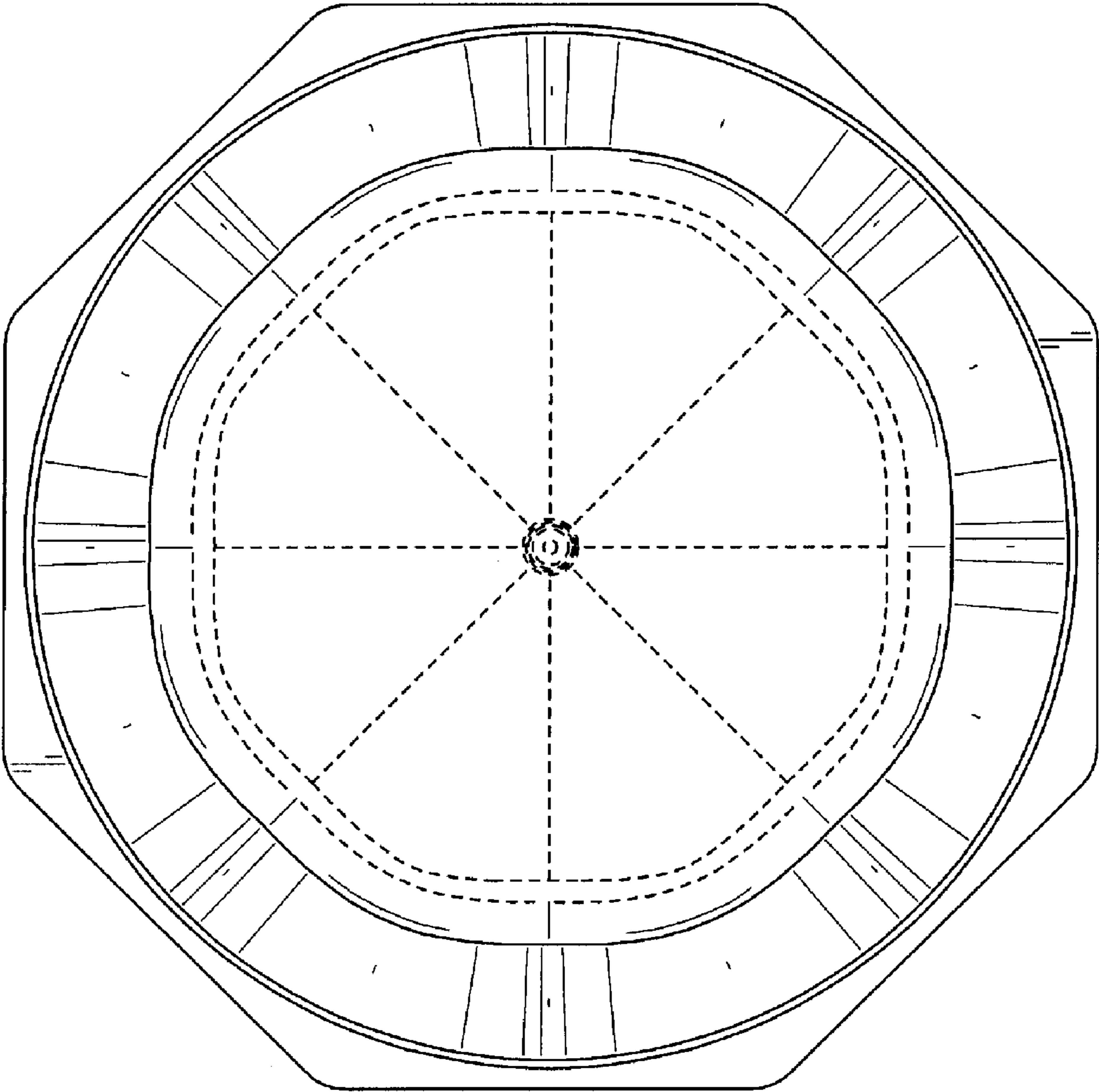


FIG. 7