



US00D620605S

(12) **United States Design Patent**
Reitze

(10) **Patent No.:** **US D620,605 S**

(45) **Date of Patent:** **** Jul. 27, 2010**

(54) **TEST TUBE RACK**

(76) **Inventor:** **Frederick T. Reitze**, 2659 W. Arthur Ave., Chicago, IL (US) 60645

(**) **Term:** **14 Years**

(21) **Appl. No.:** **29/294,402**

(22) **Filed:** **Jan. 10, 2008**

(51) **LOC (9) Cl.** **24-02**

(52) **U.S. Cl.** **D24/227**

(58) **Field of Classification Search** D24/108,
D24/127-130, 216, 224, 227-232; 206/446,
206/443; 211/74, 70.1, 72; 220/519; 356/246,
356/244; 422/102, 104, 63-64, 250, 266,
422/297, 300, 476, 99

See application file for complete search history.

(56) **References Cited**

U.S. PATENT DOCUMENTS

2,956,686	A *	10/1960	Garey	356/246
2,979,210	A *	4/1961	Patterson	211/74
3,186,556	A *	6/1965	Forsstrom	356/244
3,388,807	A *	6/1968	Emmitt	211/74
D245,118	S *	7/1977	Heaton	211/72
D259,141	S *	5/1981	Oliver	D24/230
D265,126	S *	6/1982	Beall	D24/230
4,407,958	A *	10/1983	DeGraff, Jr.	422/104
D323,400	S *	1/1992	Frenkel et al.	D24/230
5,186,339	A *	2/1993	Heissler	206/443
D359,126	S *	6/1995	Hovatter	D24/229
D369,415	S *	4/1996	Boulton et al.	D24/224
D382,346	S *	8/1997	Buhler et al.	D24/227
D413,677	S *	9/1999	Dumitrescu et al.	D24/229
D417,009	S *	11/1999	Boyd	D24/227

D420,747	S *	2/2000	Dumitrescu et al.	D24/227
D421,130	S *	2/2000	Cohen et al.	D24/229
D448,854	S *	10/2001	Kuiper et al.	D24/230
D461,554	S *	8/2002	Lafond et al.	D24/230
D466,219	S *	11/2002	Wynschenk et al.	D24/227
D484,989	S *	1/2004	Gebrian	D24/230
7,000,785	B2 *	2/2006	Jafari et al.	422/99
D533,948	S *	12/2006	Schaub et al.	D24/229
D556,338	S *	11/2007	Coulling et al.	D24/230
D556,339	S *	11/2007	Coulling et al.	D24/230
D566,851	S *	4/2008	Hawker et al.	D24/230
D591,425	S *	4/2009	Hawker et al.	D24/230
D596,312	S *	7/2009	Giraud et al.	D24/230
D598,566	S *	8/2009	Allaer	D24/230

* cited by examiner

Primary Examiner—T. Chase Nelson

Assistant Examiner—Mark Cavanna

(57) **CLAIM**

The ornamental design for a test tube rack, as shown and described.

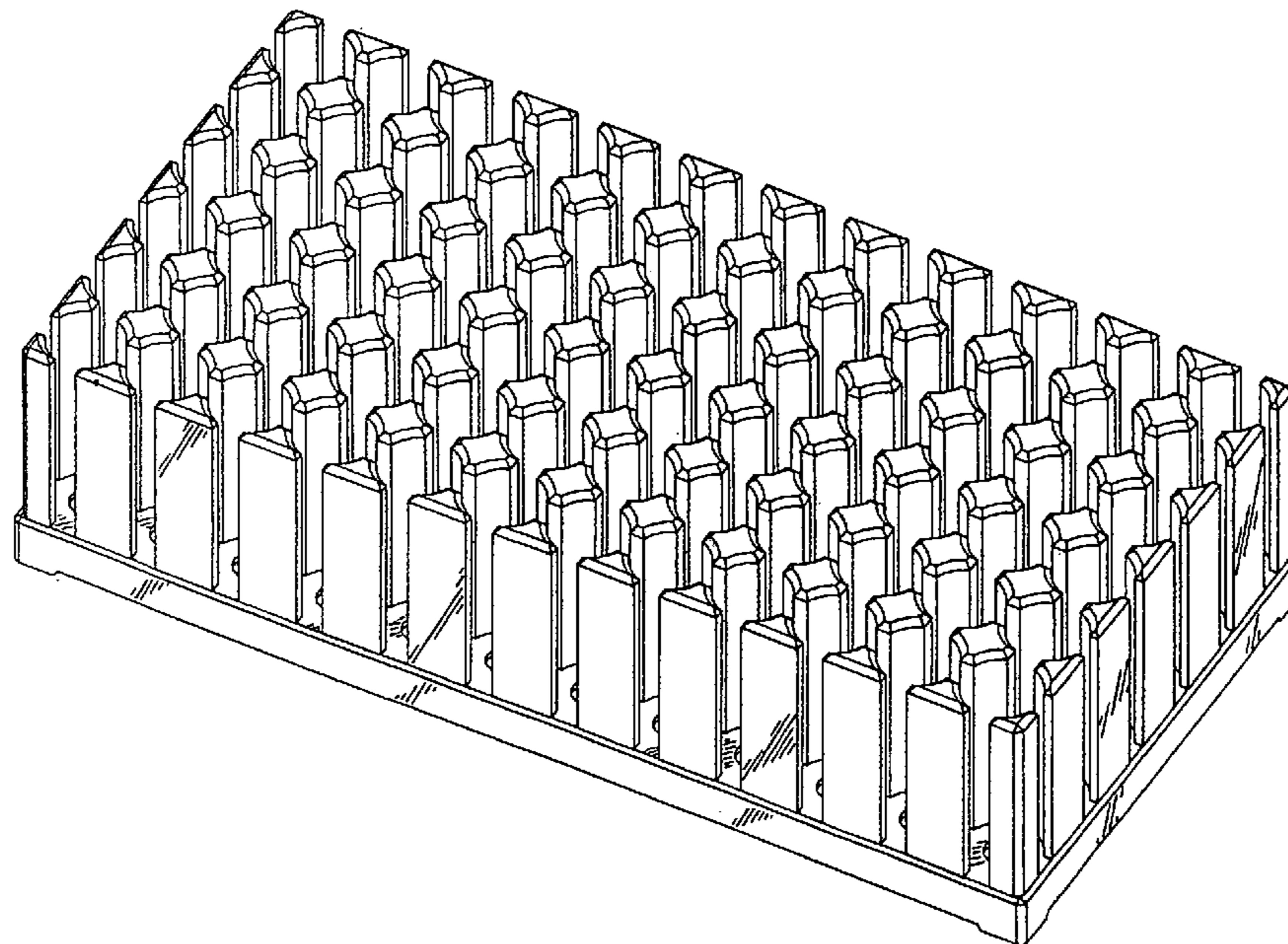
DESCRIPTION

FIG. 1 is a perspective view of a test tube rack showing my new design; and,

FIG. 2 is a top view thereof.

My test tube rack is characterized by columns positioned at the corners of the test tube positions, said columns in the interior of the rack having four concave sides, columns on the periphery of the rack having two concave sides and one flat side, columns at the four corners of the rack having one concave side and two flat sides, and each test tube position having a circular opening in its base.

1 Claim, 2 Drawing Sheets



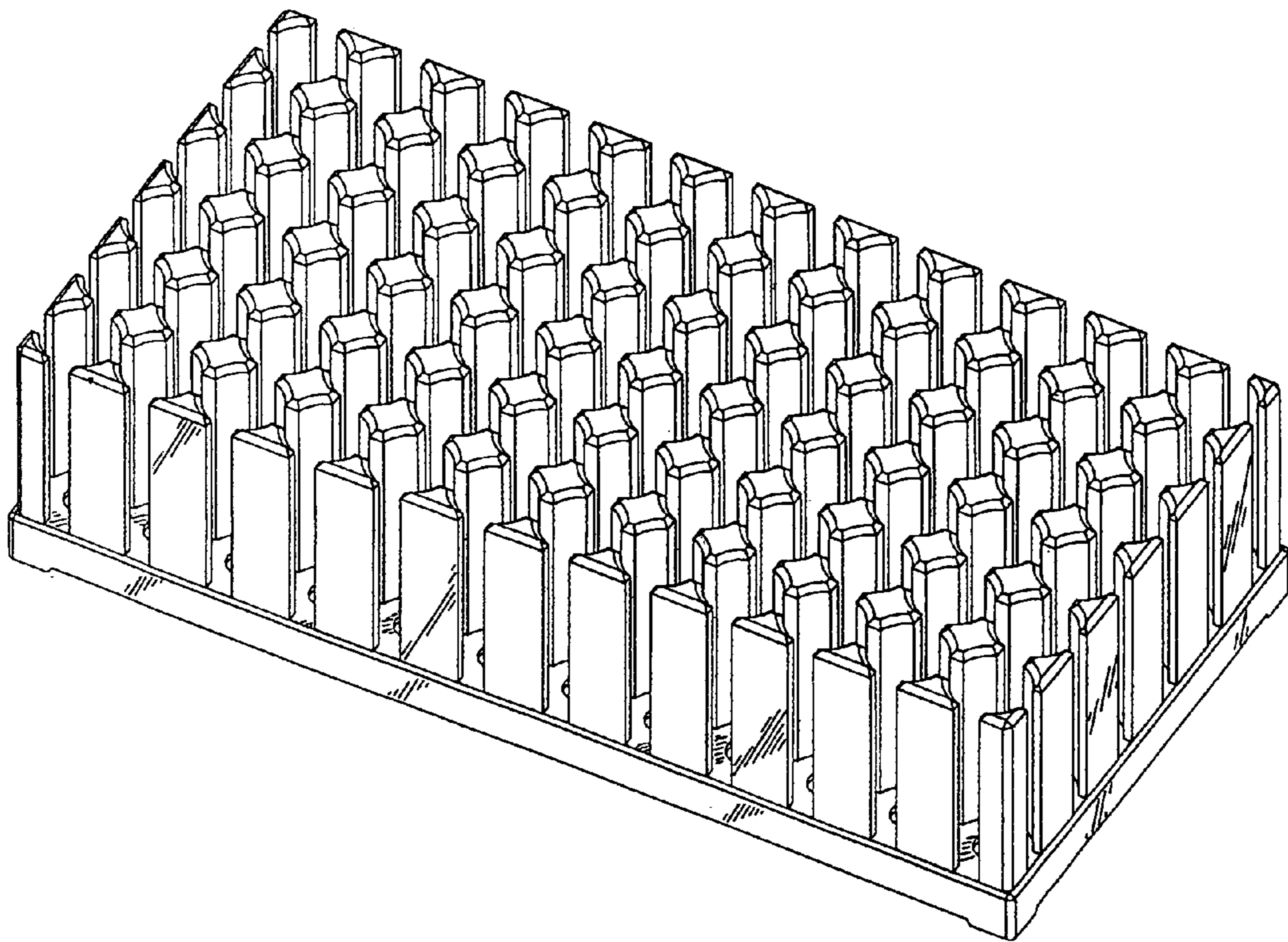


Fig. 1

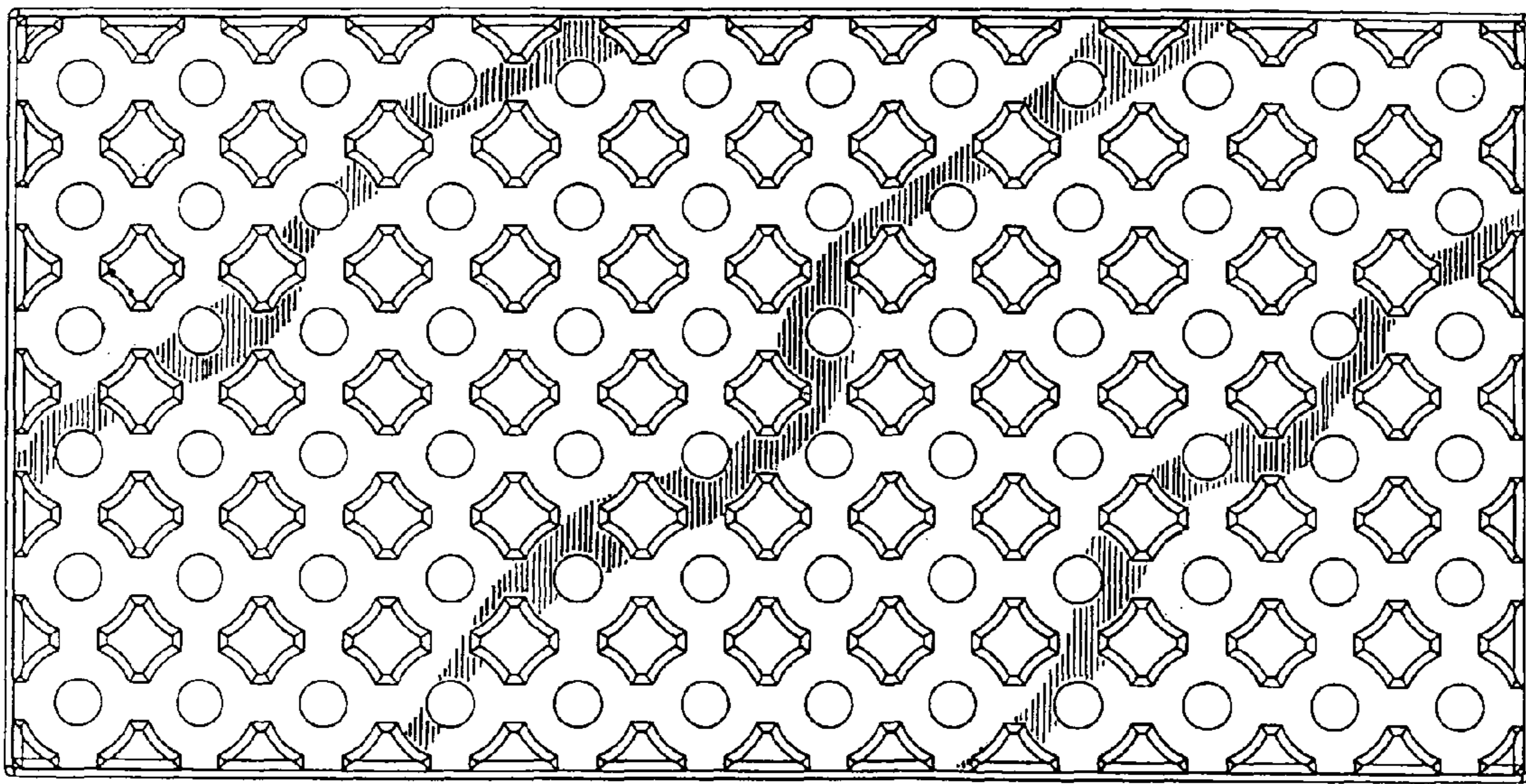


Fig. 2