



US00D620603S

(12) **United States Design Patent**
Talmer et al.

(10) **Patent No.:** **US D620,603 S**
(45) **Date of Patent:** **** *Jul. 27, 2010**

(54) **REAGENT CONTAINER PACK**

5,885,529 A 3/1999 Babson et al.

(75) Inventors: **Mark Talmer**, Pepperell, MA (US);
Robert C. Aviles, Merrimack, NH (US);
Luis Miguel Garcia Gros, Barcelona
(ES); **Paul C. Dahlstrom**, Hollis, NH
(US); **Derek Verhoorn**, Chelmsford, MA
(US); **Dan O'Sullivan**, Mount Vernon,
NH (US)

(Continued)

FOREIGN PATENT DOCUMENTS

EP 0523425 A1 1/1993

(Continued)

OTHER PUBLICATIONS

Siemens Global website @ <http://diagnostics.siemens.com/webapp/wcs/stores/servlet/Product>, for ACS:180® SE Automated Chemiluminescence System accessed Jun. 13, 2007, © Siemens AG, 2007.

(Continued)

Primary Examiner—Elizabeth A Albert
Assistant Examiner—Kelley A Donnelly
(74) *Attorney, Agent, or Firm*—Burns & Levinson, LLP;
Ronda P. Moore; Marlo M. Schepper

(73) Assignee: **Biokit S.A.**, Barcelona (ES)

(**) Term: **14 Years**

(21) Appl. No.: **29/327,924**

(22) Filed: **Nov. 14, 2008**

Related U.S. Application Data

(63) Continuation-in-part of application No. 11/704,001,
filed on Feb. 8, 2007.

(51) **LOC (9) Cl.** **24-02**

(52) **U.S. Cl.** **D24/224**

(58) **Field of Classification Search** D24/224,
D24/121; D9/737, 741, 747, 756; 422/104,
422/103, 72

See application file for complete search history.

(57) **CLAIM**

The ornamental design for a reagent container pack, as shown
and described.

DESCRIPTION

FIG. 1 is a perspective view of the reagent container pack
showing a first side, end, and top according to the invention;
FIG. 2 is a first side view of the reagent container pack
according to the invention;
FIG. 3 is a first end view thereof;
FIG. 4 is a second end view thereof;
FIG. 5 is a top view thereof;
FIG. 6 is a bottom view thereof; and,
FIG. 7 is a second side view thereof.

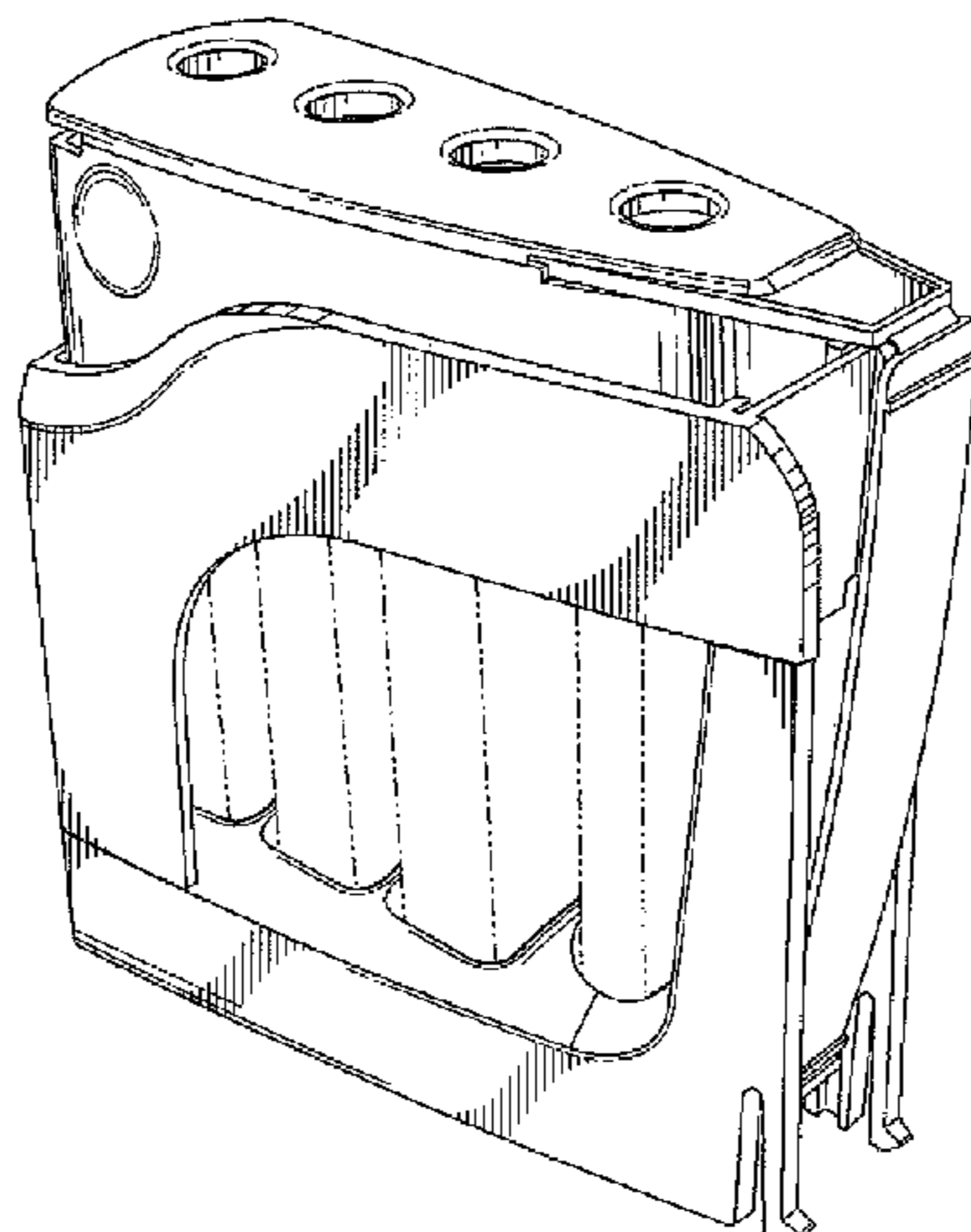
The broken lines shown in the drawings are for environmental
purposes only and form no part of the claimed design.

1 Claim, 5 Drawing Sheets

(56) **References Cited**

U.S. PATENT DOCUMENTS

4,259,289 A	3/1981	Curry et al.	
D287,638 S *	1/1987	Moore et al.	D24/224
5,221,519 A	6/1993	Wuerschum	
D342,140 S *	12/1993	Sakagami et al.	D24/224
D353,464 S *	12/1994	Ushikubo	D24/224
D358,219 S *	5/1995	Ushikubo	D24/224
D363,354 S *	10/1995	Stark et al.	D24/224
5,540,890 A	7/1996	Clark et al.	
5,542,575 A	8/1996	Stark et al.	
5,594,164 A	1/1997	Bull	
5,599,501 A	2/1997	Carey et al.	
5,632,399 A	5/1997	Palmieri et al.	
D380,553 S *	7/1997	Riekkinen	D24/224



US D620,603 S

Page 2

U.S. PATENT DOCUMENTS

5,888,835 A 3/1999 Bushnell et al.
D407,826 S * 4/1999 Yamazaki et al. D24/224
5,985,671 A 11/1999 Leistner et al.
6,048,496 A 4/2000 Zhou et al.
6,149,872 A 11/2000 Mack et al.
6,413,420 B1 7/2002 Foy et al.
6,562,239 B2 5/2003 Foy et al.
D494,851 S * 8/2004 Uchiyama D9/739
D502,268 S * 2/2005 Sakai et al. D24/224
D541,426 S * 4/2007 Sato et al. D24/224
D586,221 S * 2/2009 Shaikh D9/526
D599,236 S * 9/2009 Oberg D10/81
2007/0077646 A1 4/2007 Okamoto
2008/0085215 A1 4/2008 Mototsu et al.
2008/0192567 A1 8/2008 Vincent et al.

FOREIGN PATENT DOCUMENTS

EP 0632271 A1 1/1995

EP 0712000 5/1996
EP 0806665 11/1997
EP 0889328 1/1999
JP 1028561 1/1989
JP 8146001 6/1996
JP 10123136 5/1998
JP 2000111557 4/2000
JP 2001116752 4/2001
WO WO 02/37078 9/1987
WO WO 98/18008 4/1998
WO 99/18481 A1 4/1999
WO WO 03/020427 3/2003

OTHER PUBLICATIONS

International Search Report and Written Opinion dated Feb. 25, 2010
for International Application No. PCT/US09/63968. Applicant:
Biokit, S.A.

* cited by examiner

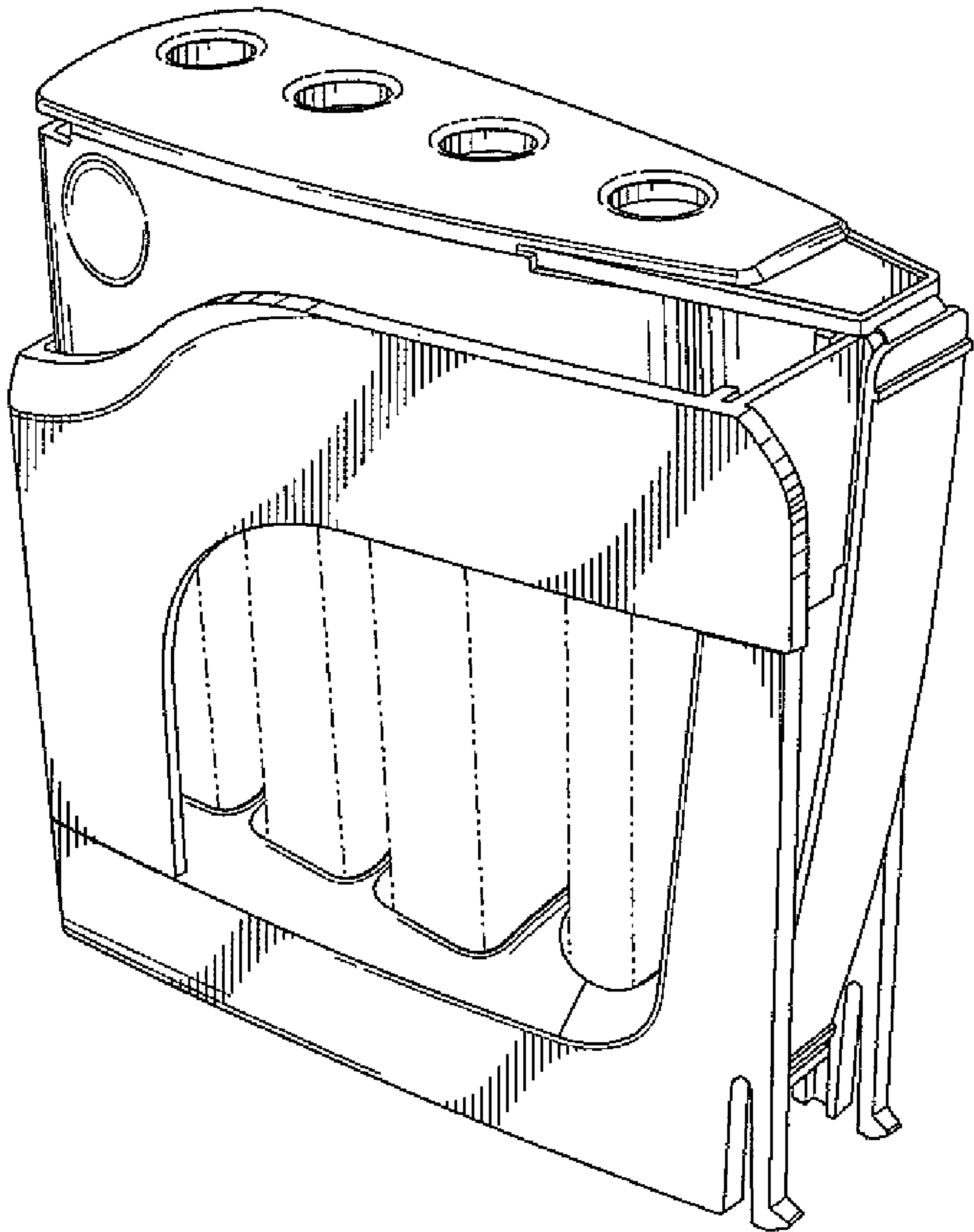


Fig. 1

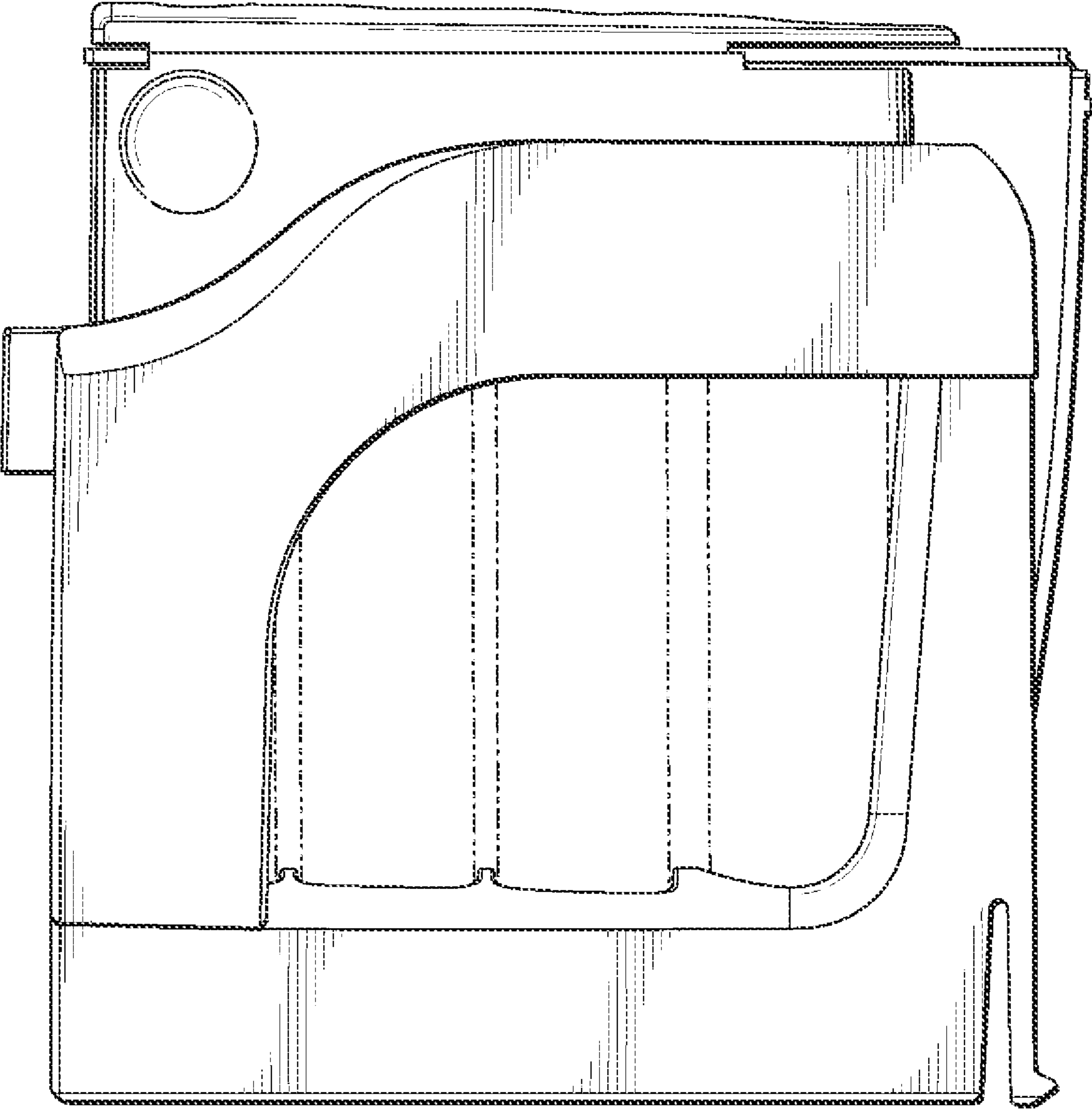


Fig. 2

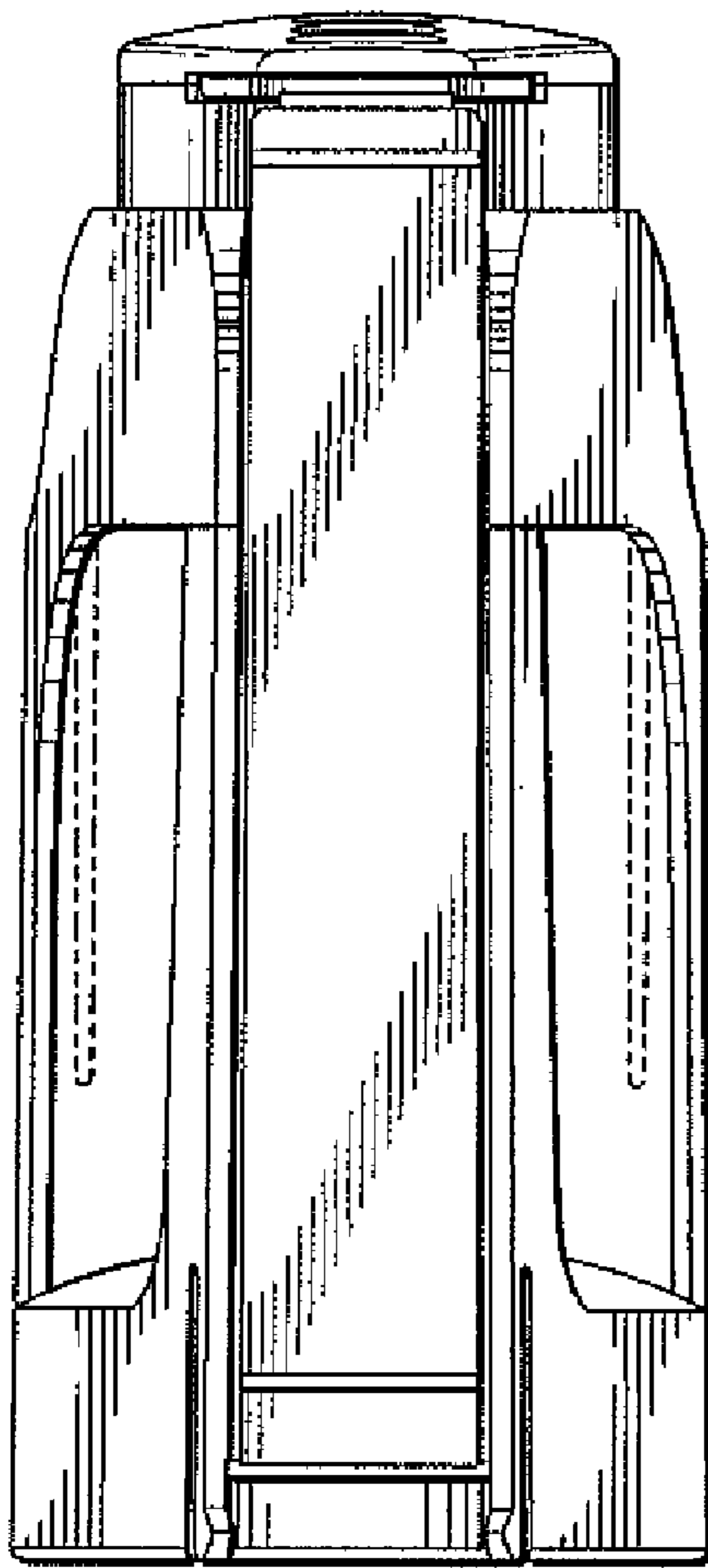


Fig. 3

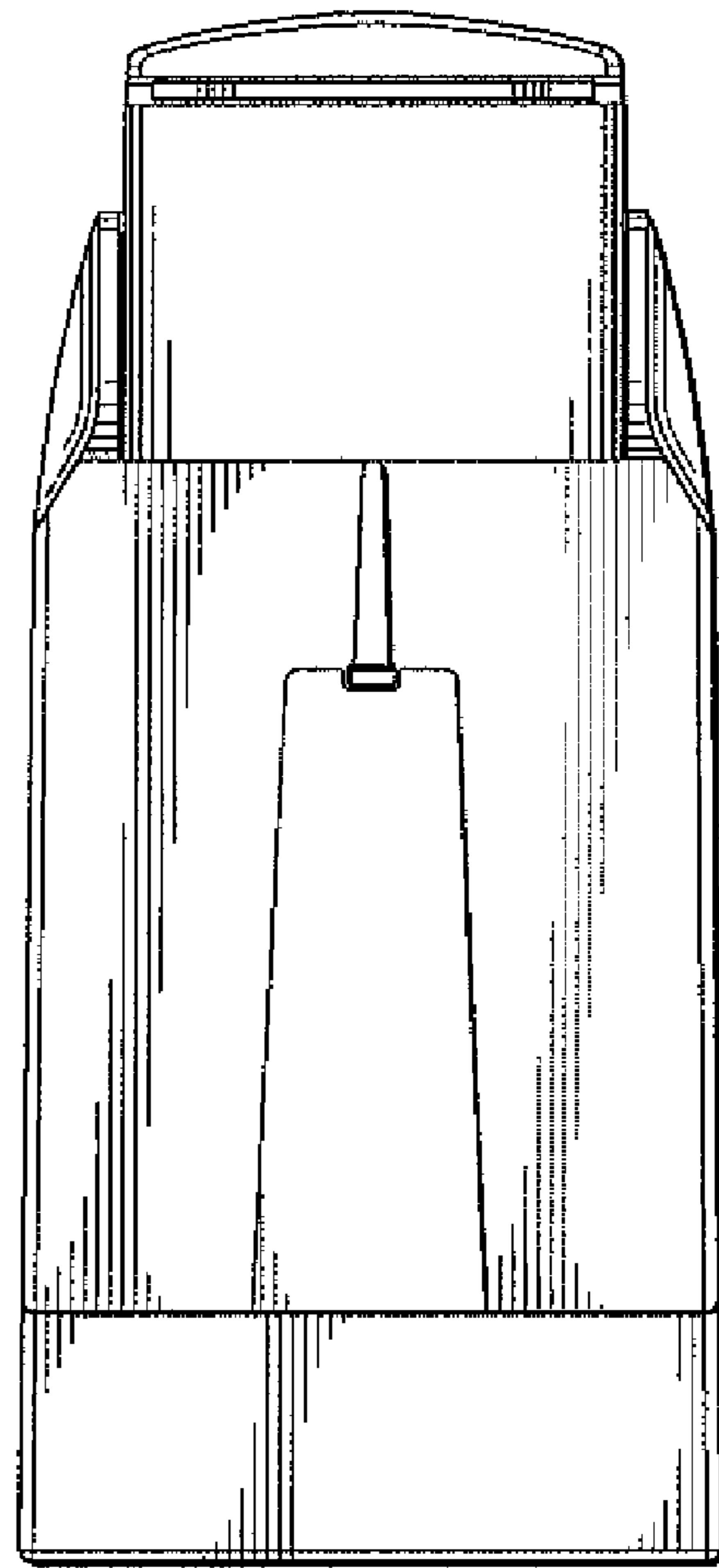


Fig. 4

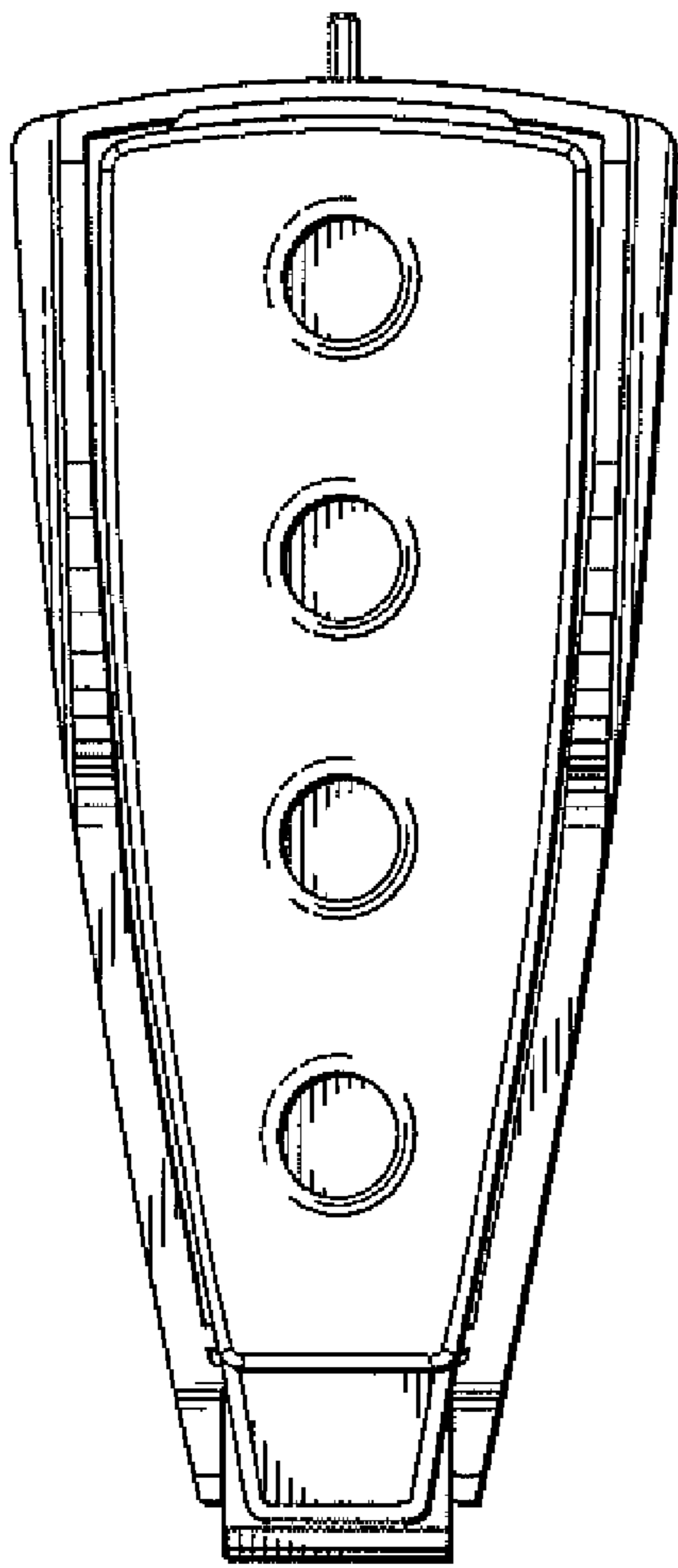


Fig. 5

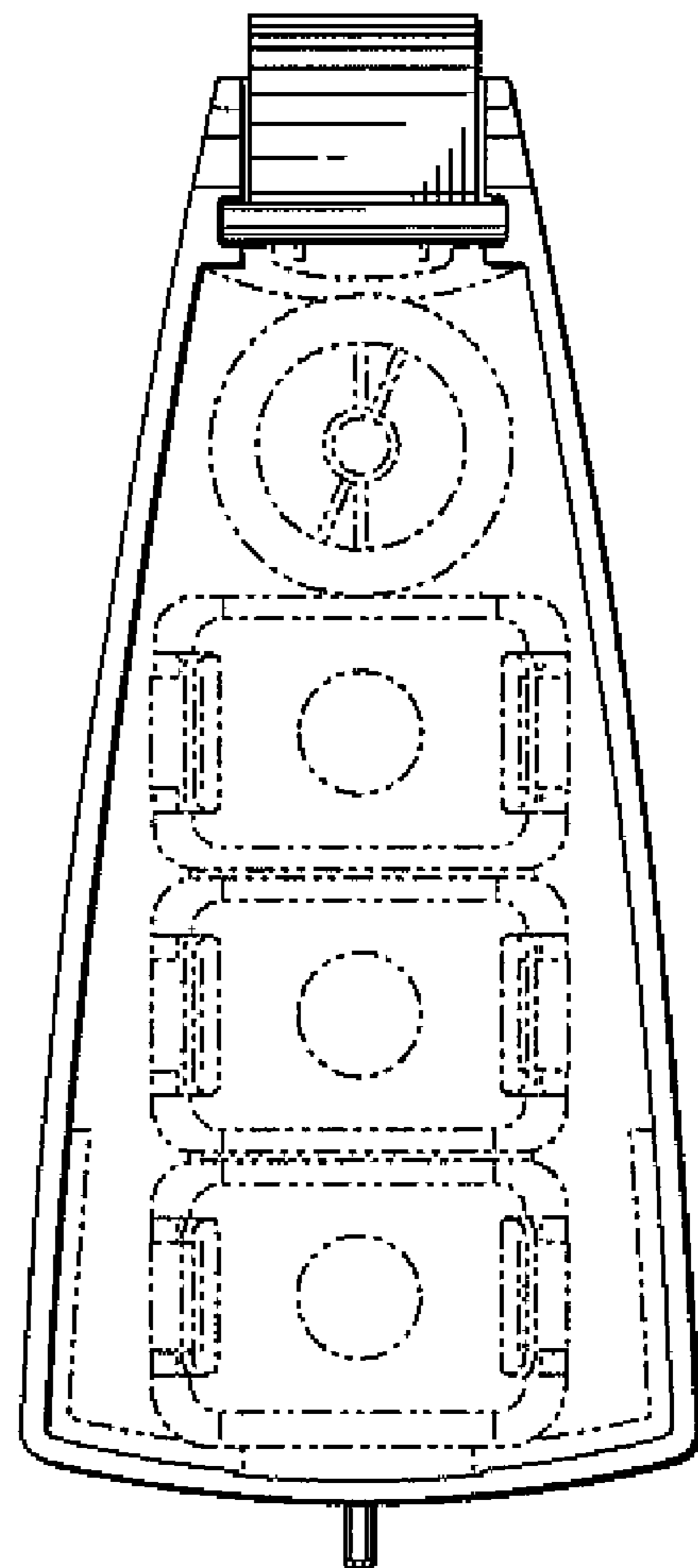


Fig. 6

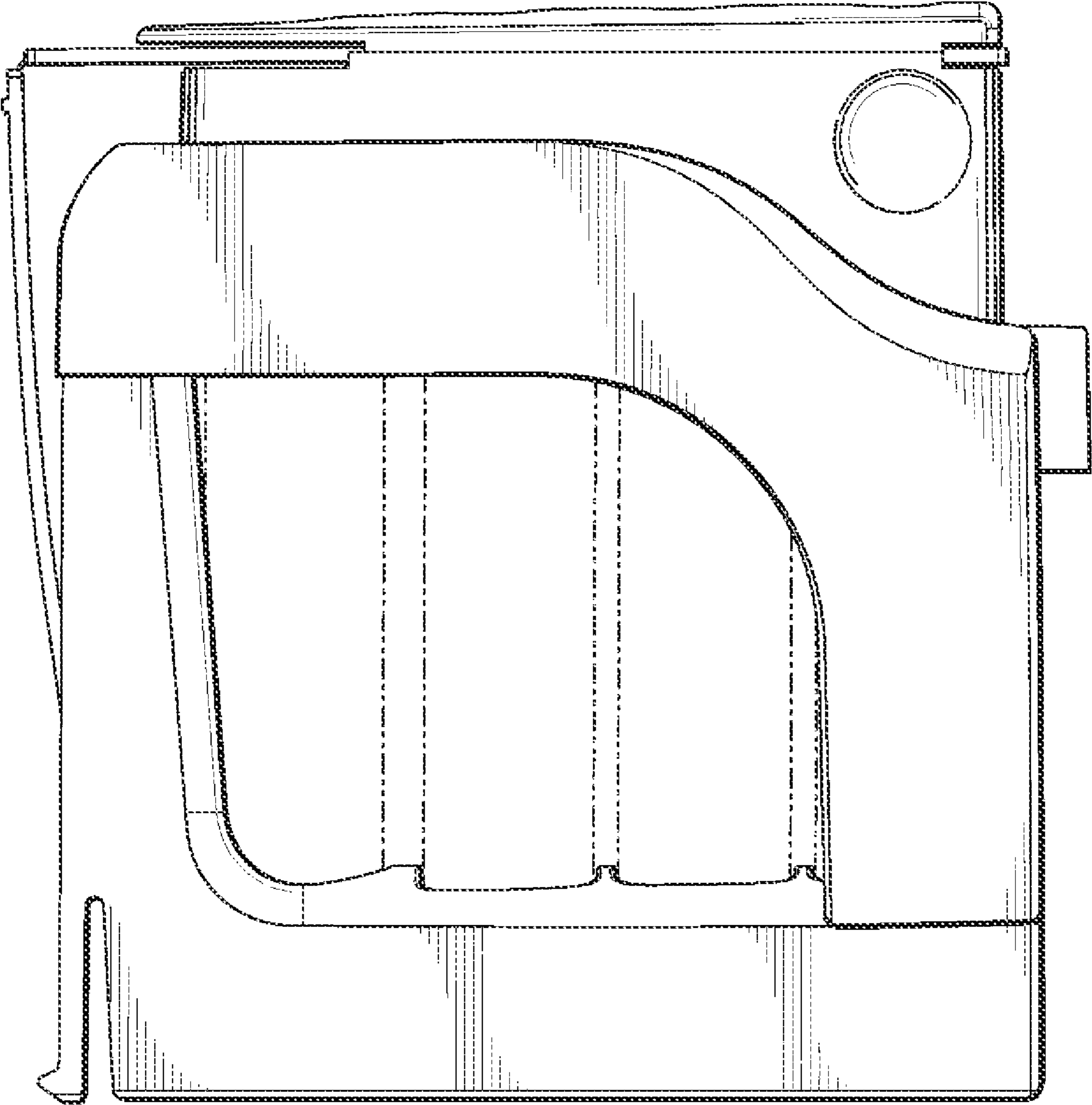


Fig. 7