



US00D620596S

(12) **United States Design Patent**
Jurkiewicz

(10) **Patent No.:** **US D620,596 S**
(45) **Date of Patent:** **** *Jul. 27, 2010**

(54) **BEHIND-THE-EAR SOUND PROCESSOR**

D557,419 S 12/2007 Jurkiewicz
D562,459 S 2/2008 Jurkiewicz
7,606,382 B2 * 10/2009 Feeley et al. 381/330

(75) Inventor: **Tadeusz Jurkiewicz**, Rozelle (AU)

(73) Assignee: **Cochlear Limited**, Lane Cove, New South Wales (AU)

(**) Term: **14 Years**

(21) Appl. No.: **29/269,381**

(22) Filed: **Nov. 30, 2006**

(51) **LOC (9) Cl.** **24-99**

(52) **U.S. Cl.** **D24/174**

(58) **Field of Classification Search** D24/173-175,
D24/182, 106; D14/205, 223, 224, 249;
381/23.1, 312, 322, 323, 324, 328, 330, 380,
381/381; 181/129, 130, 134, 135, 137
See application file for complete search history.

(56) **References Cited**

U.S. PATENT DOCUMENTS

D322,481 S *	12/1991	van Mourik	D24/174
D354,568 S *	1/1995	Araki et al.	D24/174
D380,048 S	6/1997	Hampf et al.		
D411,885 S	7/1999	Mavrakis et al.		
6,144,748 A *	11/2000	Kerns	381/312
D470,833 S	2/2003	Rath et al.		
D473,946 S	4/2003	Darley et al.		
D494,571 S	8/2004	Polito		
D498,227 S	11/2004	Dyer et al.		
D504,673 S *	5/2005	Dyer et al.	D14/205
D505,943 S *	6/2005	Han et al.	D14/223
D516,216 S *	2/2006	Portmann	D24/174
D520,496 S	5/2006	Gwee		
D529,612 S	10/2006	Feeley et al.		
D530,819 S *	10/2006	Jurkiewicz et al.	D24/174
D539,266 S *	3/2007	Bentley et al.	D14/205
D541,420 S *	4/2007	Darbut et al.	D24/174
D557,255 S *	12/2007	Shintani	D14/206

* cited by examiner

Primary Examiner—T. Chase Nelson

Assistant Examiner—Anhdao Doan

(74) *Attorney, Agent, or Firm*—Connolly Bove Lodge & Hutz LLP

(57) **CLAIM**

I claim the ornamental design for a behind-the-ear sound processor, as shown and described.

DESCRIPTION

FIG. 1 is a rear perspective view of a behind-the-ear sound processor constructed in accordance with one embodiment of the present invention;

FIG. 2 is a front elevation view thereof;

FIG. 3 is a rear elevation view thereof;

FIG. 4 is a top side elevation view thereof;

FIG. 5 is a left side elevation view thereof;

FIG. 6 is a bottom side elevation view thereof;

FIG. 7 is an exploded rear perspective view thereof;

FIG. 8 is an exploded front elevation view thereof;

FIG. 9 is an exploded rear elevation view thereof;

FIG. 10 is an exploded top side elevation view thereof;

FIG. 11 is an exploded left side elevation view thereof; and,

FIG. 12 is an exploded bottom side elevation view thereof.

The broken lines in the drawings are included for the purpose of illustrating portions of an article that form no part of the claimed design.

1 Claim, 12 Drawing Sheets

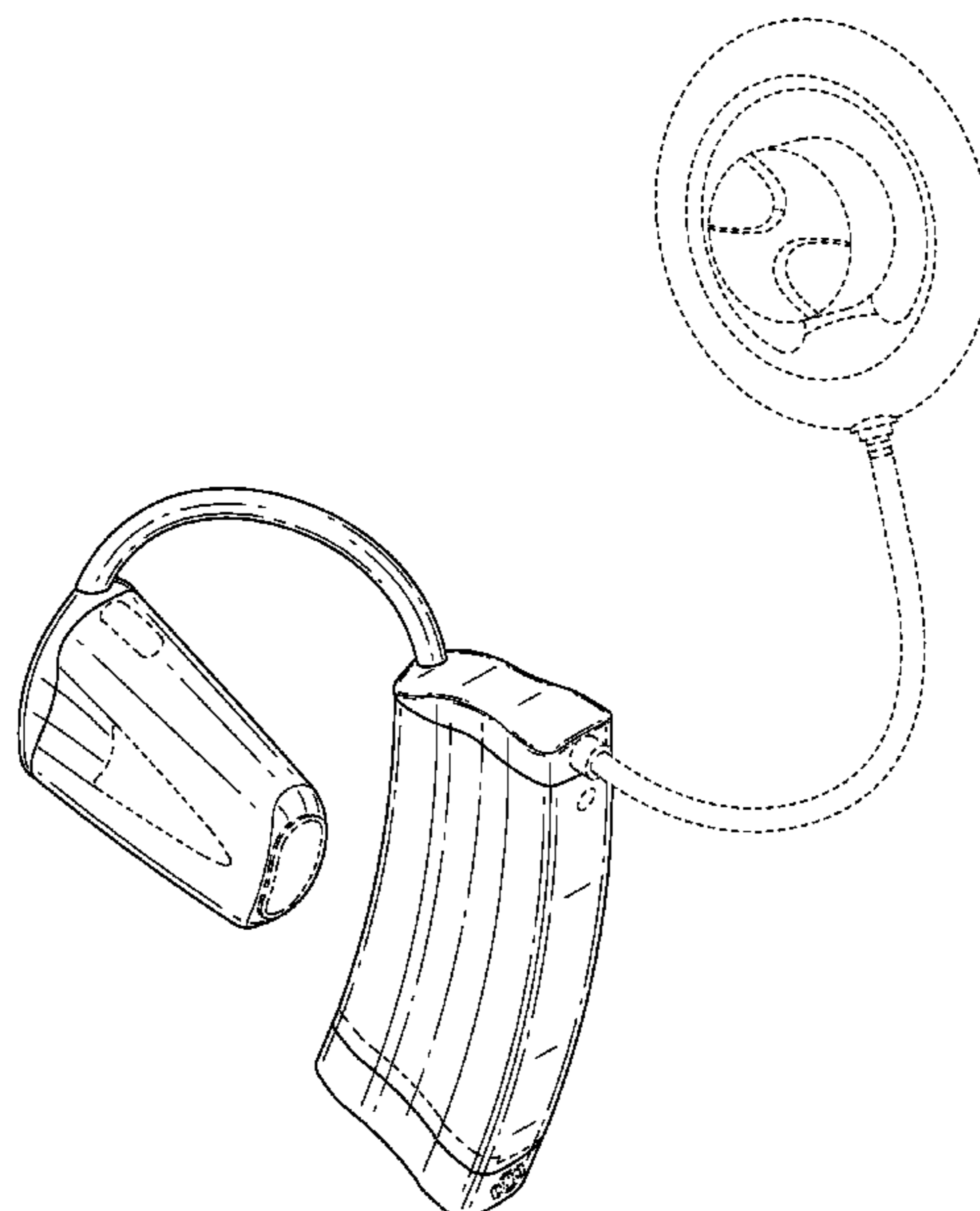


FIG. 1

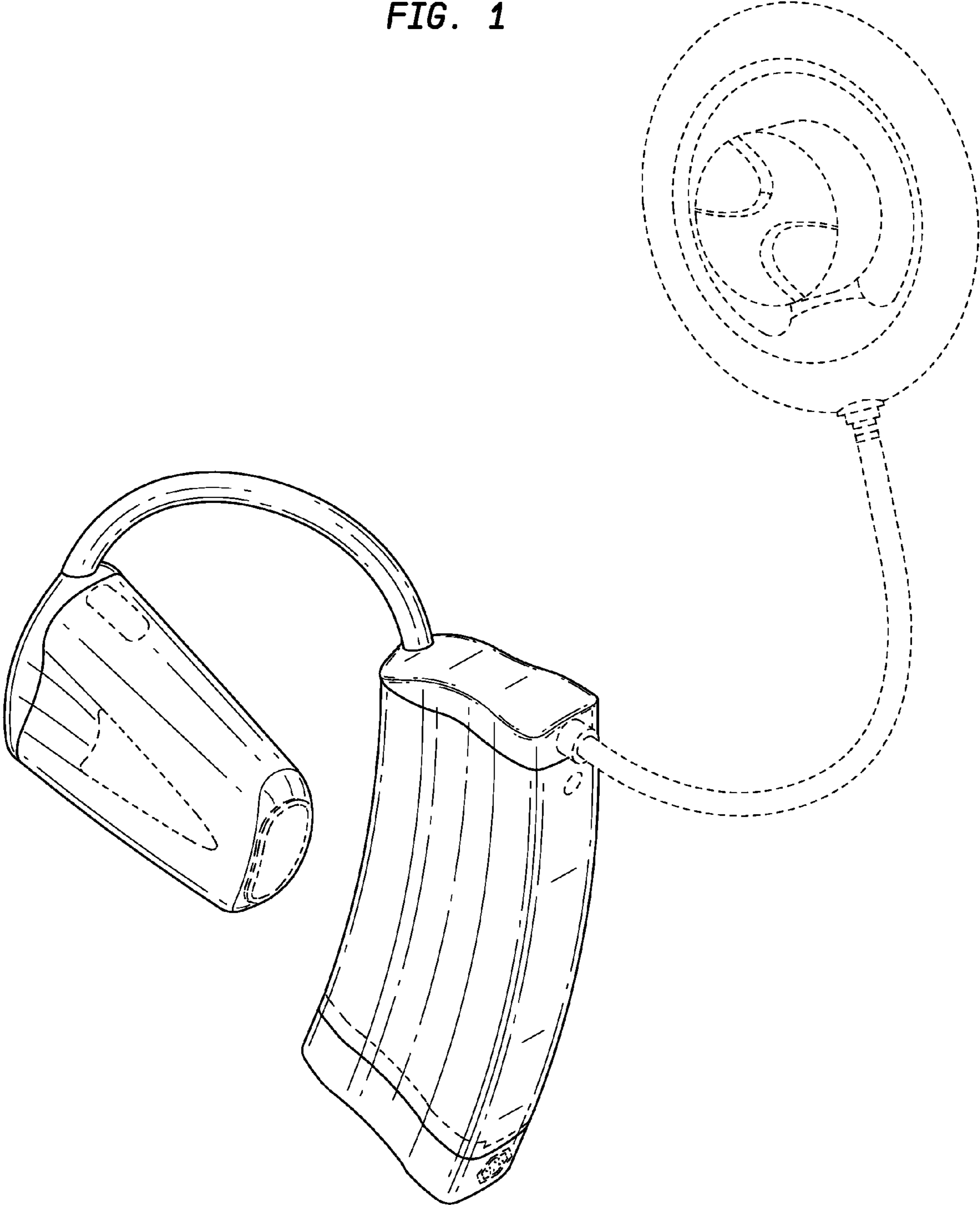


FIG. 2

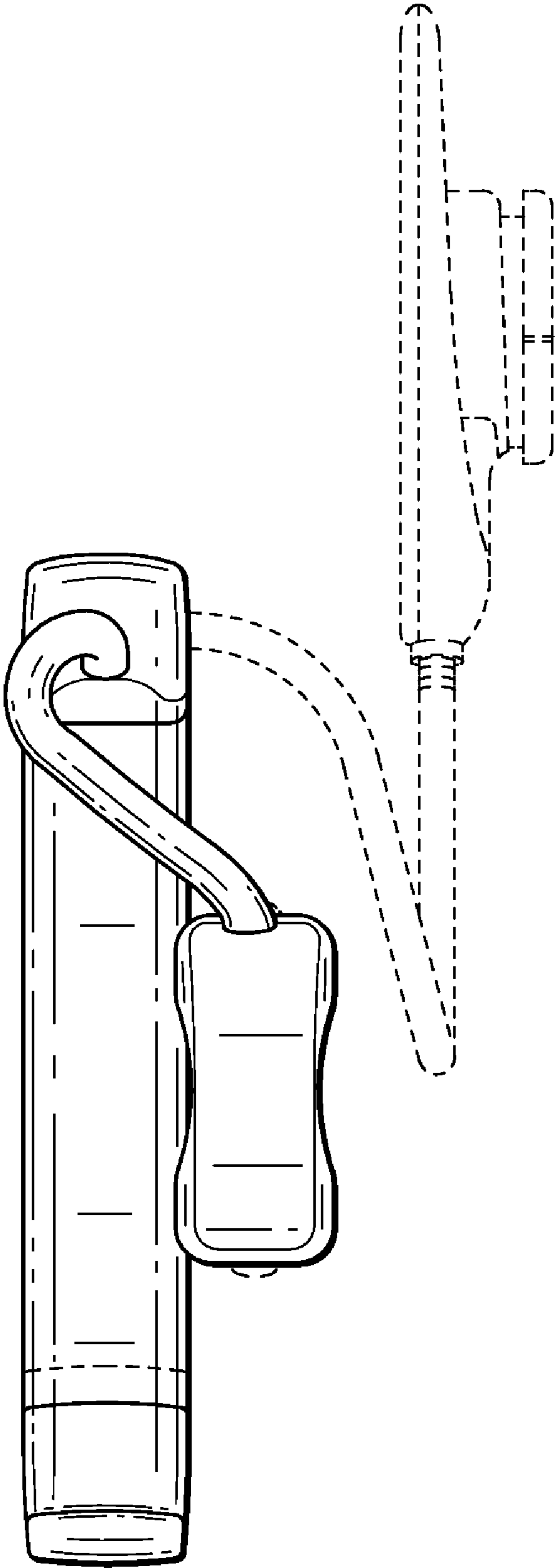


FIG. 3

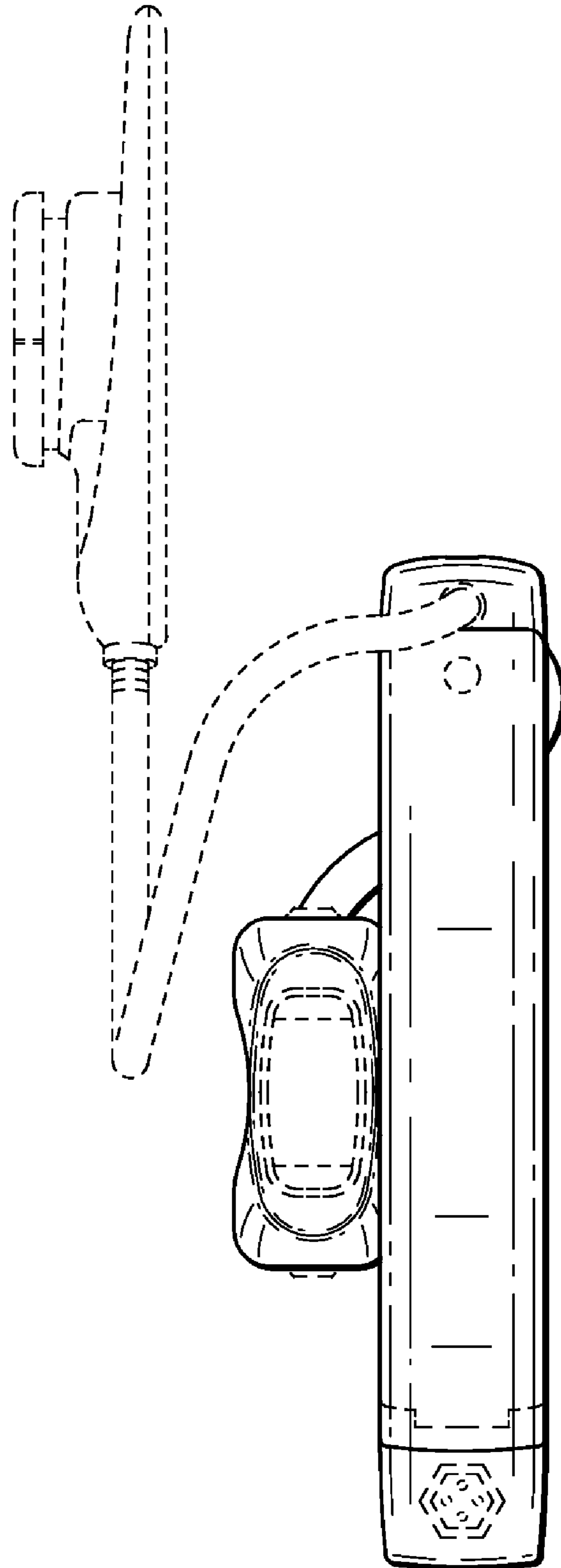
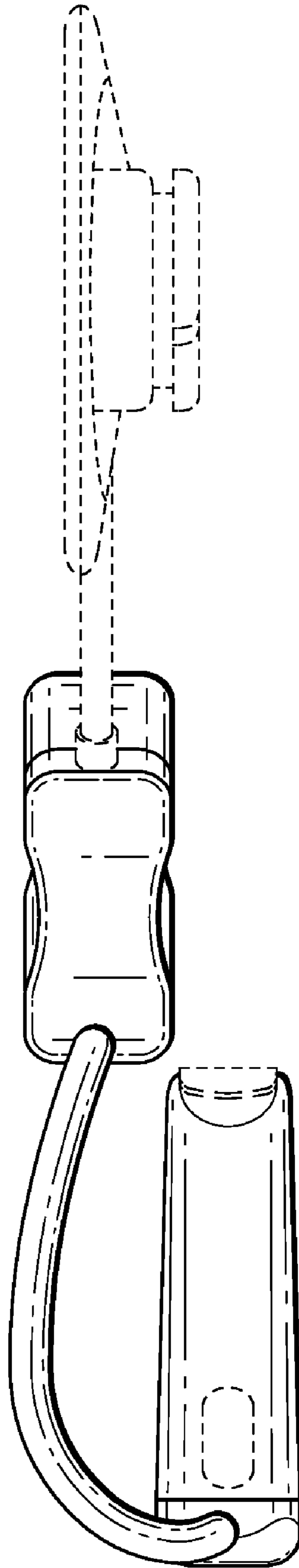


FIG. 4



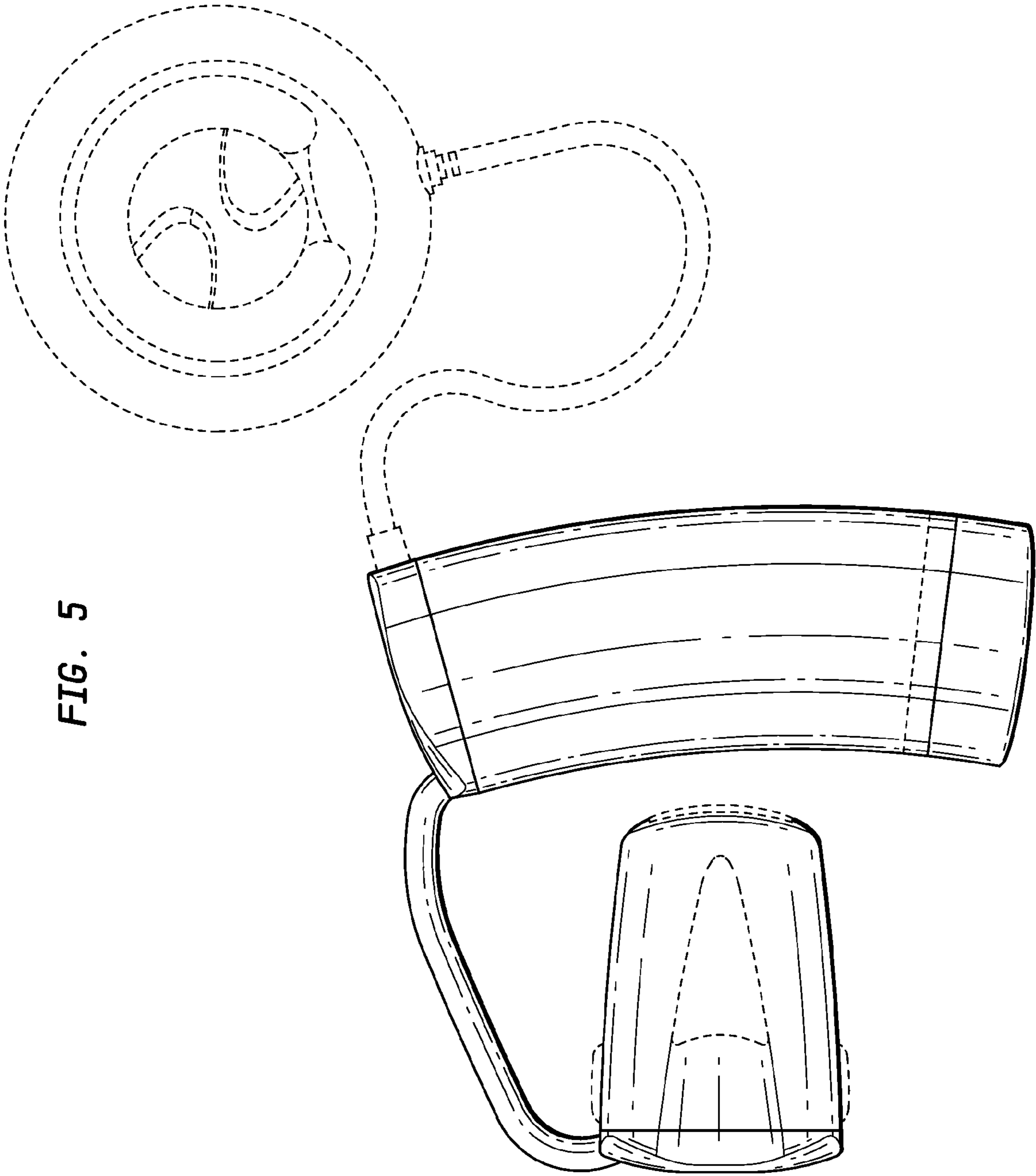


FIG. 5

FIG. 6

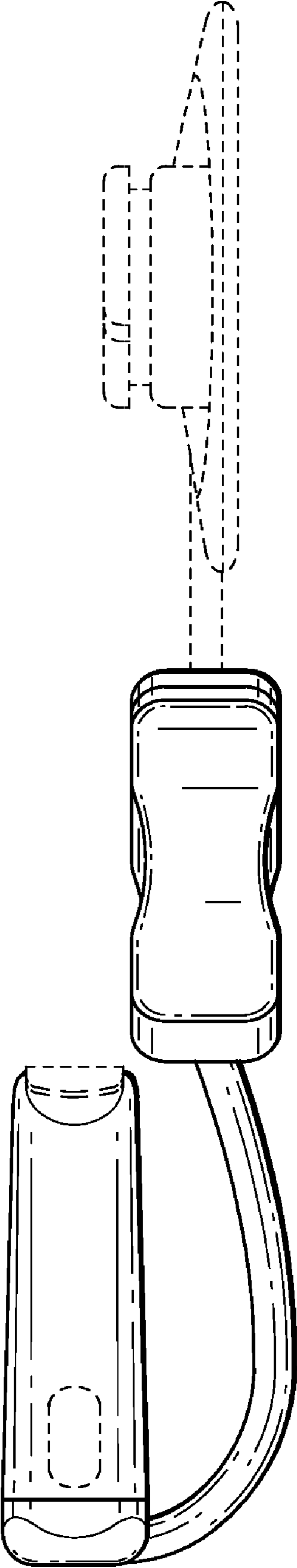


FIG. 7

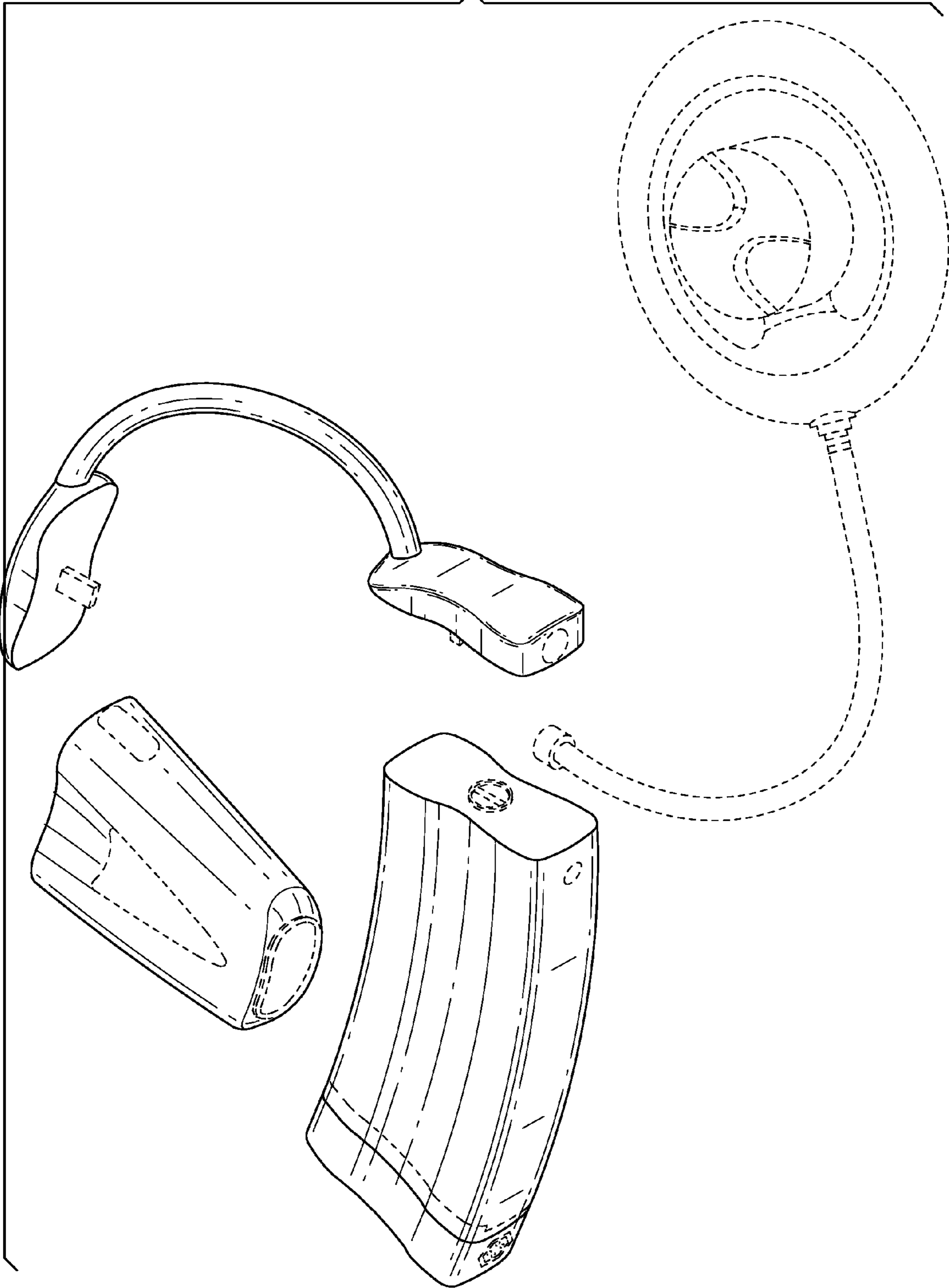


FIG. 8

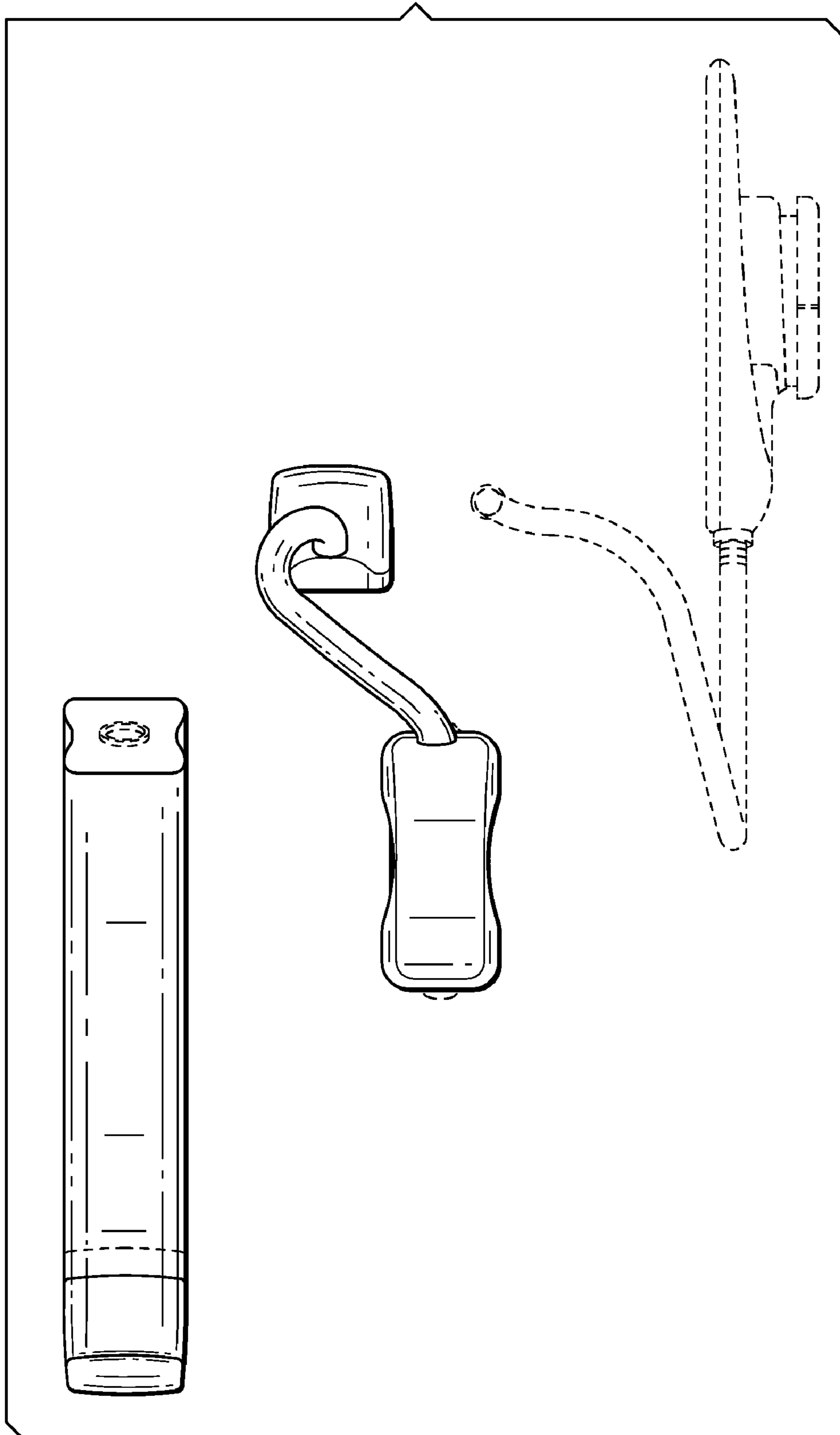


FIG. 9

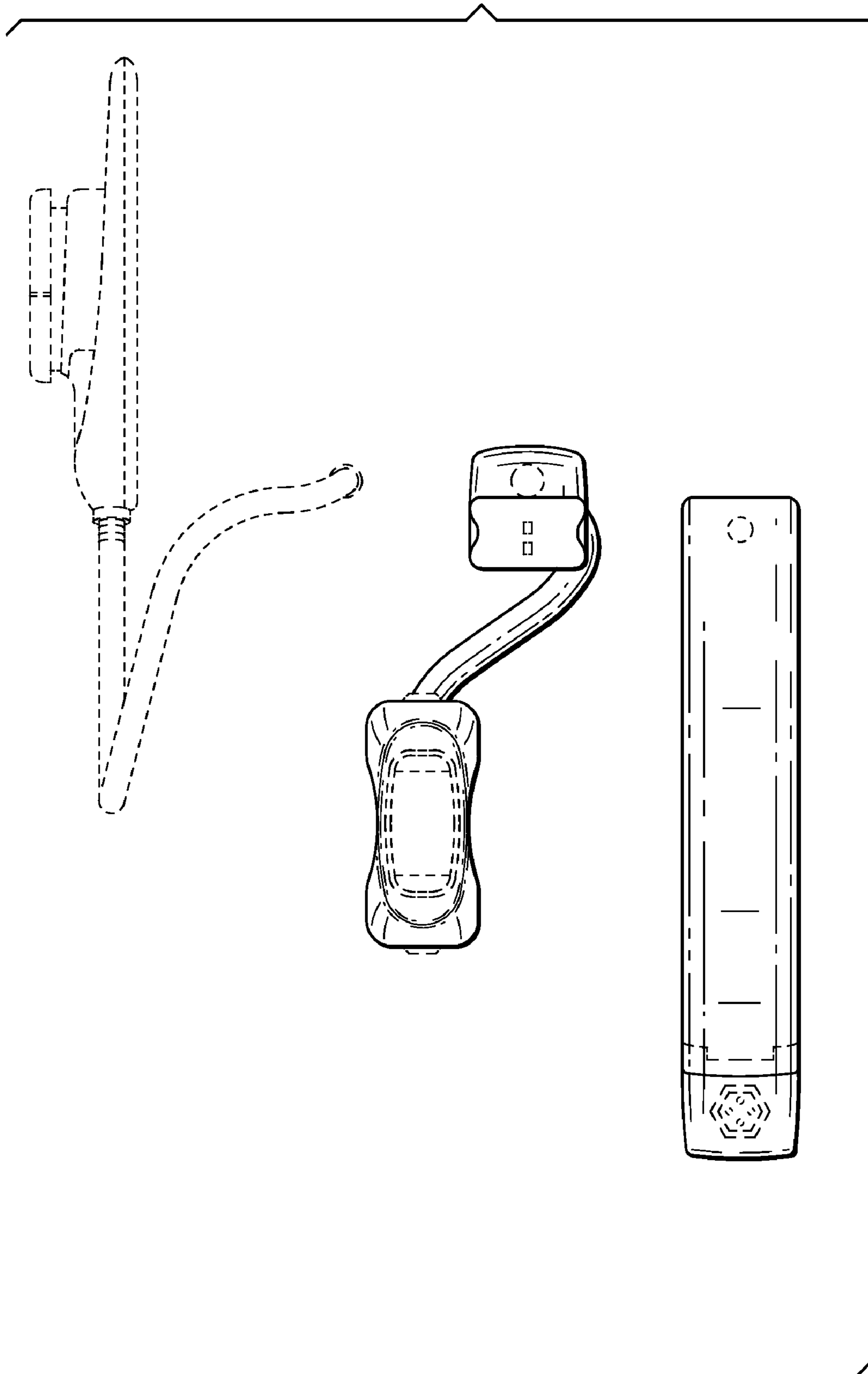


FIG. 10

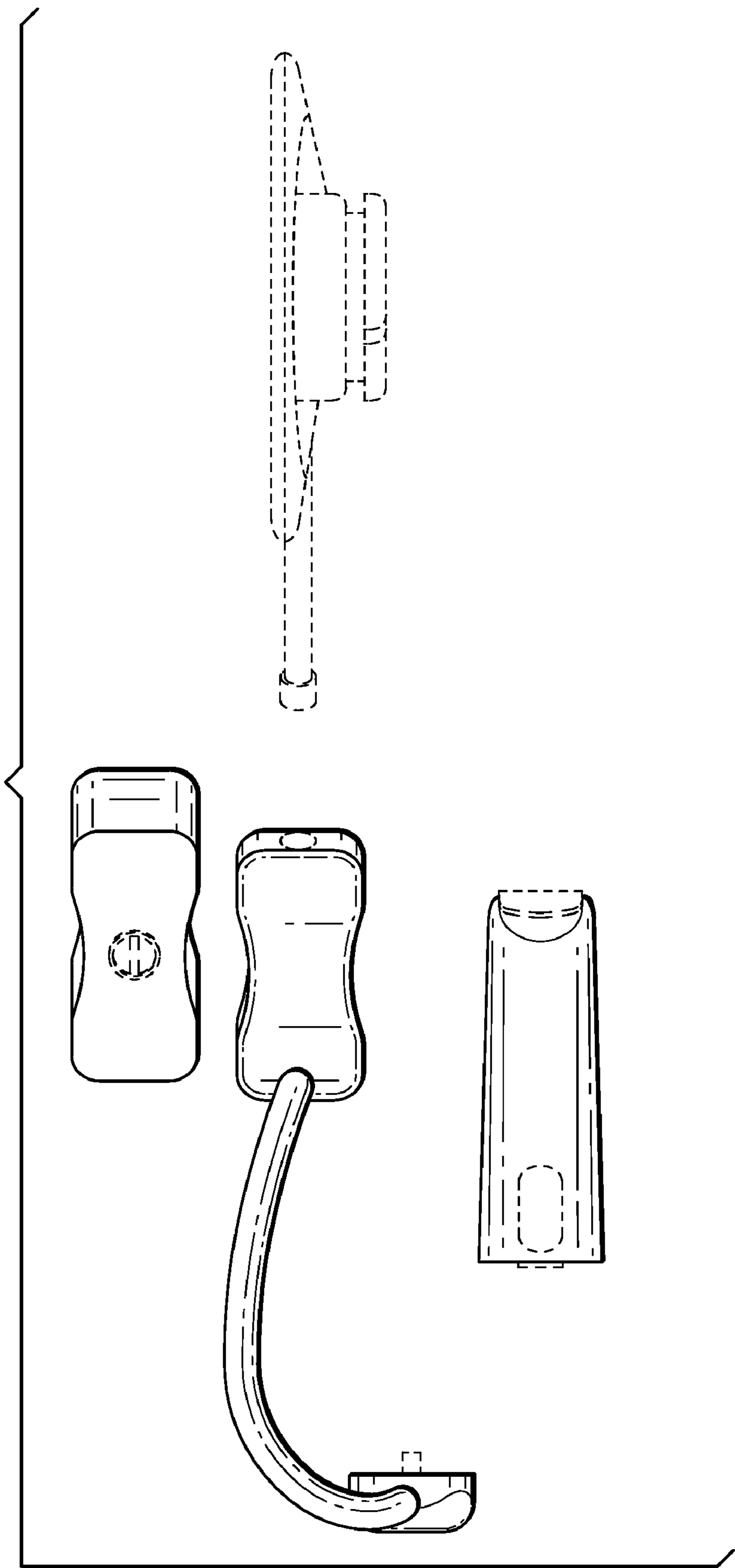


FIG. 11

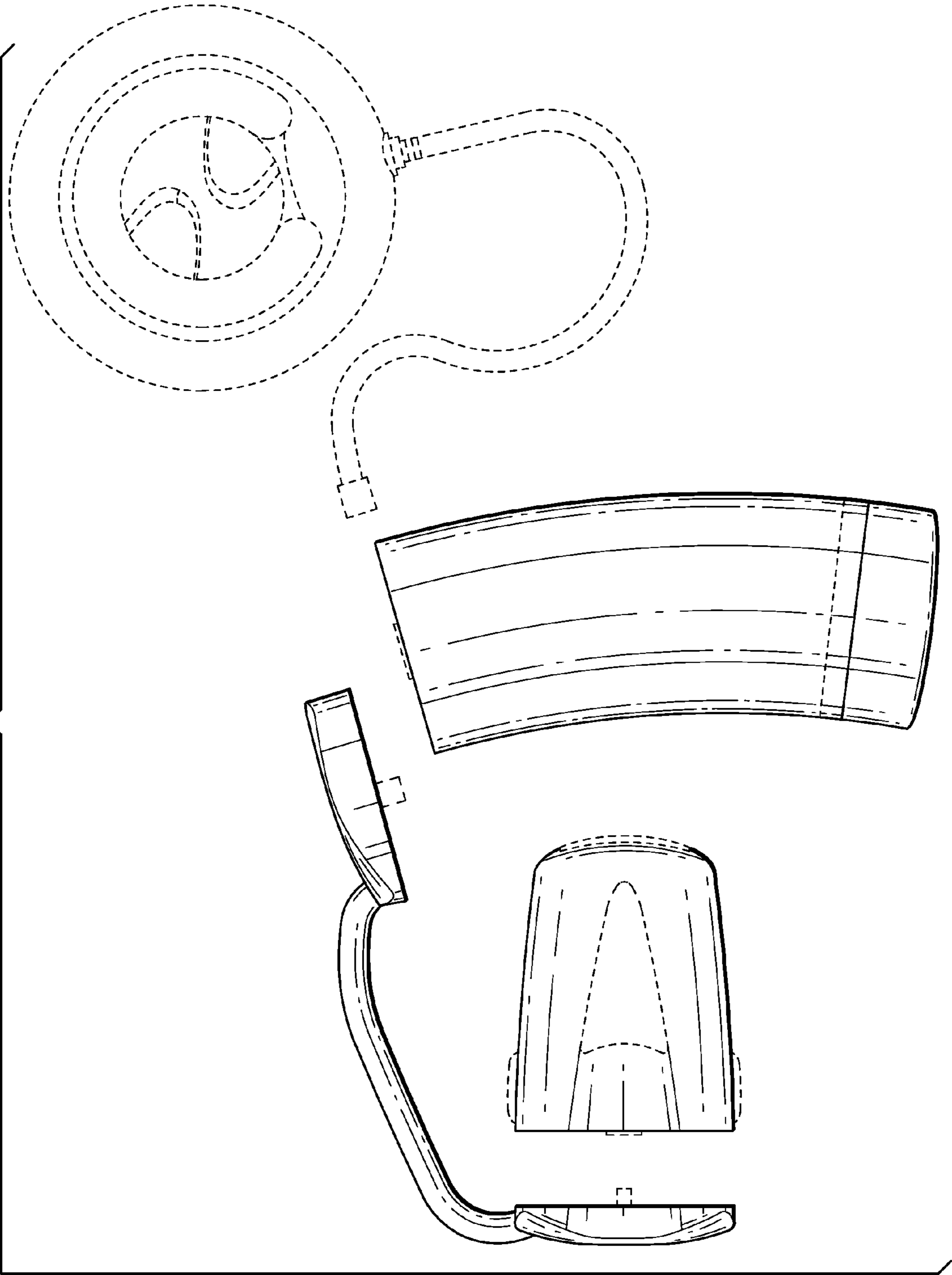


FIG. 12

