



US00D620594S

(12) **United States Design Patent**
Curtis

(10) **Patent No.:** **US D620,594 S**
(45) **Date of Patent:** **** Jul. 27, 2010**

(54) **OFFSET ALIGNMENT DEVICE**

(75) Inventor: **Michael J. Curtis**, Green Bay, WI (US)

(73) Assignee: **American Prosthetic Components, Inc.**, Green Bay, WI (US)

(**) Term: **14 Years**

(21) Appl. No.: **29/331,387**

(22) Filed: **Jan. 24, 2009**

Related U.S. Application Data

(63) Continuation-in-part of application No. 11/504,906, filed on Aug. 16, 2006, now abandoned, which is a continuation-in-part of application No. 10/876,349, filed on Jun. 25, 2004, now Pat. No. 7,267,695.

(51) **LOC (9) Cl.** **24-01**
(52) **U.S. Cl.** **D24/155**
(58) **Field of Classification Search** D24/155;
623/11.11, 16, 14, 20.23, 20.33, 33, 41, 17.11-17.16
See application file for complete search history.

(56) **References Cited**

U.S. PATENT DOCUMENTS

4,025,964 A * 5/1977 Owens 623/11.11
4,608,054 A 8/1986 Schroeder
D336,519 S * 6/1993 Greene et al. D24/155
5,290,313 A 3/1994 Heldreth
5,549,710 A 8/1996 Vera et al.
RE36,521 E 1/2000 Heimisch
6,106,559 A * 8/2000 Meyer 623/33
D450,122 S * 11/2001 Michelson D24/155
D462,767 S * 9/2002 Meyer et al. D24/155
D462,768 S * 9/2002 Meyer et al. D24/155
D462,769 S * 9/2002 Meyer et al. D24/155

D475,786 S * 6/2003 Lund D24/155
6,576,022 B2 6/2003 Meyer et al.
7,025,787 B2 * 4/2006 Bryan et al. 623/17.16
7,563,281 B2 * 7/2009 Sears et al. 623/17.11
7,648,529 B2 * 1/2010 An et al. 623/17.15

OTHER PUBLICATIONS

Hosmer Dorrance Corporation, product brochure, pp. H127-H132, publication date unknown.

Otto Bock, product description of lower limb prosthetics adapters, viewed at [http: www.ottobock.com/products/lower_limb_prosthetics/adapters_specifications.asp](http://www.ottobock.com/products/lower_limb_prosthetics/adapters_specifications.asp) on Dec. 4, 2006.

* cited by examiner

Primary Examiner—Charles A Rademaker

(74) *Attorney, Agent, or Firm*—Brannen Law Office, LLC

(57) **CLAIM**

The ornamental design for an offset alignment device, as shown and described.

DESCRIPTION

FIG. 1 is a top perspective view of an offset alignment device showing my new design;

FIG. 2 is a side elevation thereof;

FIG. 3 is a top perspective view of bottom element of the claimed design shown separately for ease of illustration;

FIG. 4 is another perspective view thereof shown inverted;

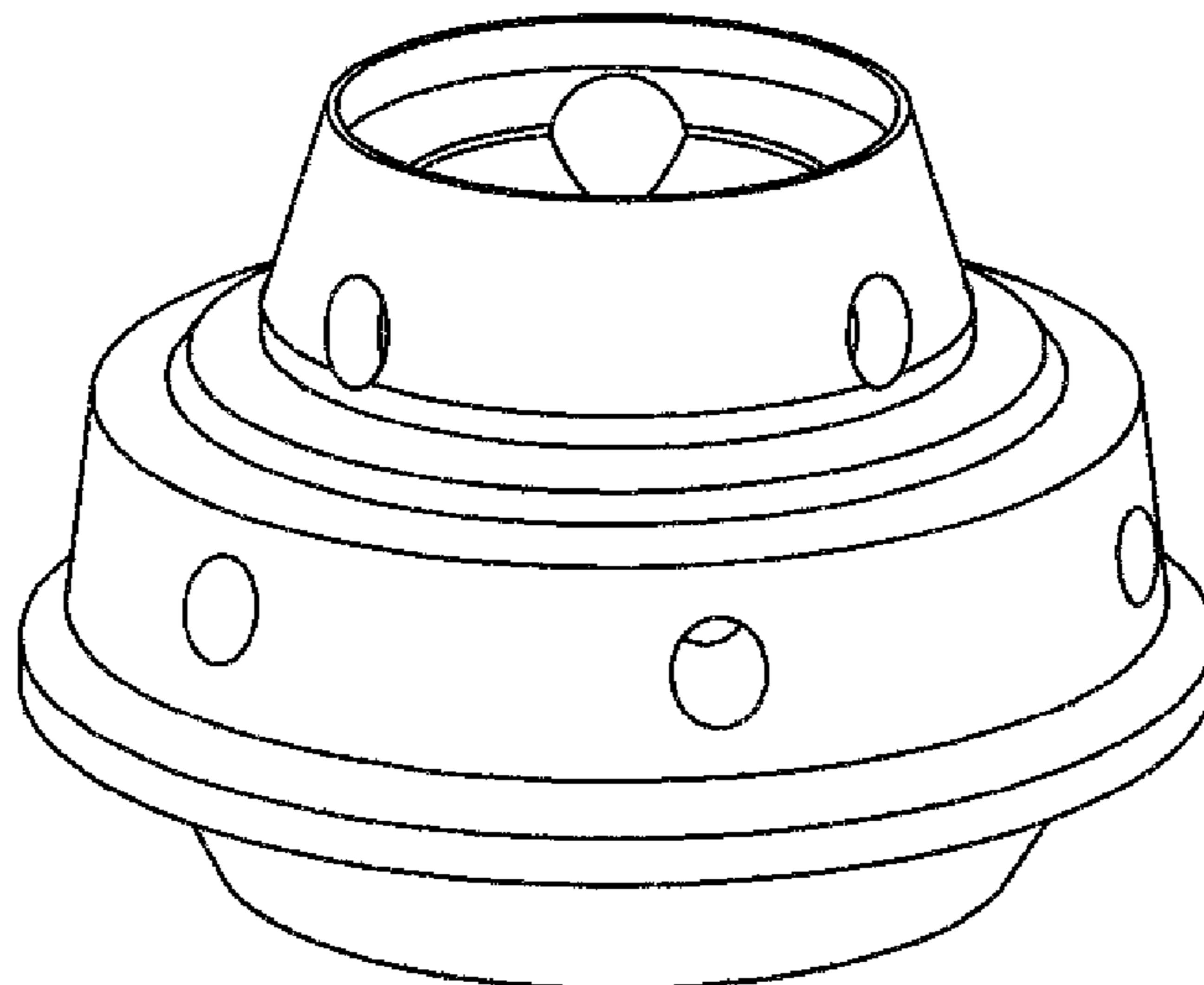
FIG. 5 is a side elevation thereof;

FIG. 6 is a side elevation of the upper element shown separately for ease of illustration;

FIG. 7 is a top perspective thereof; and,

FIG. 8 is another perspective view thereof shown inverted.

1 Claim, 2 Drawing Sheets



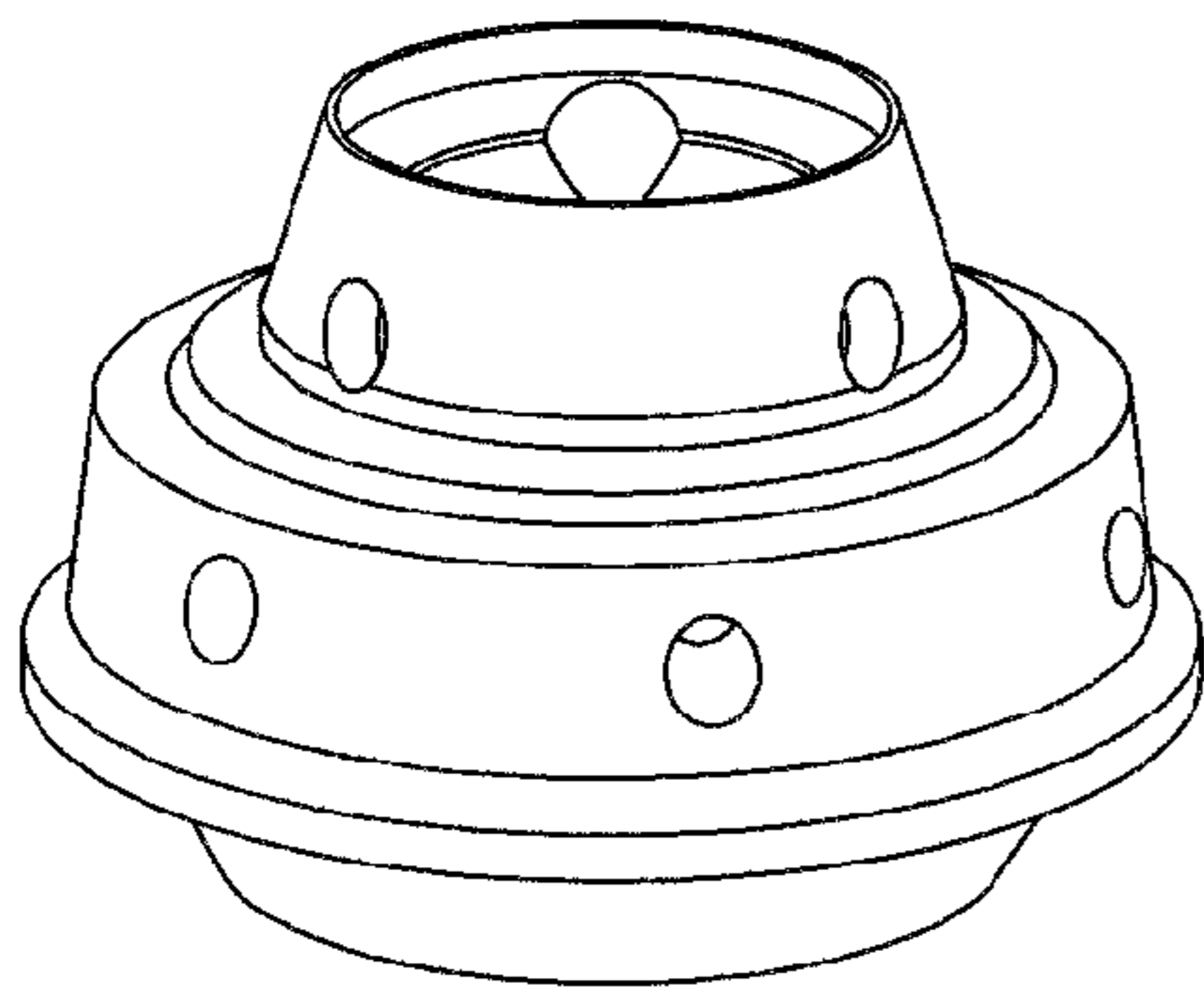


FIG. 1

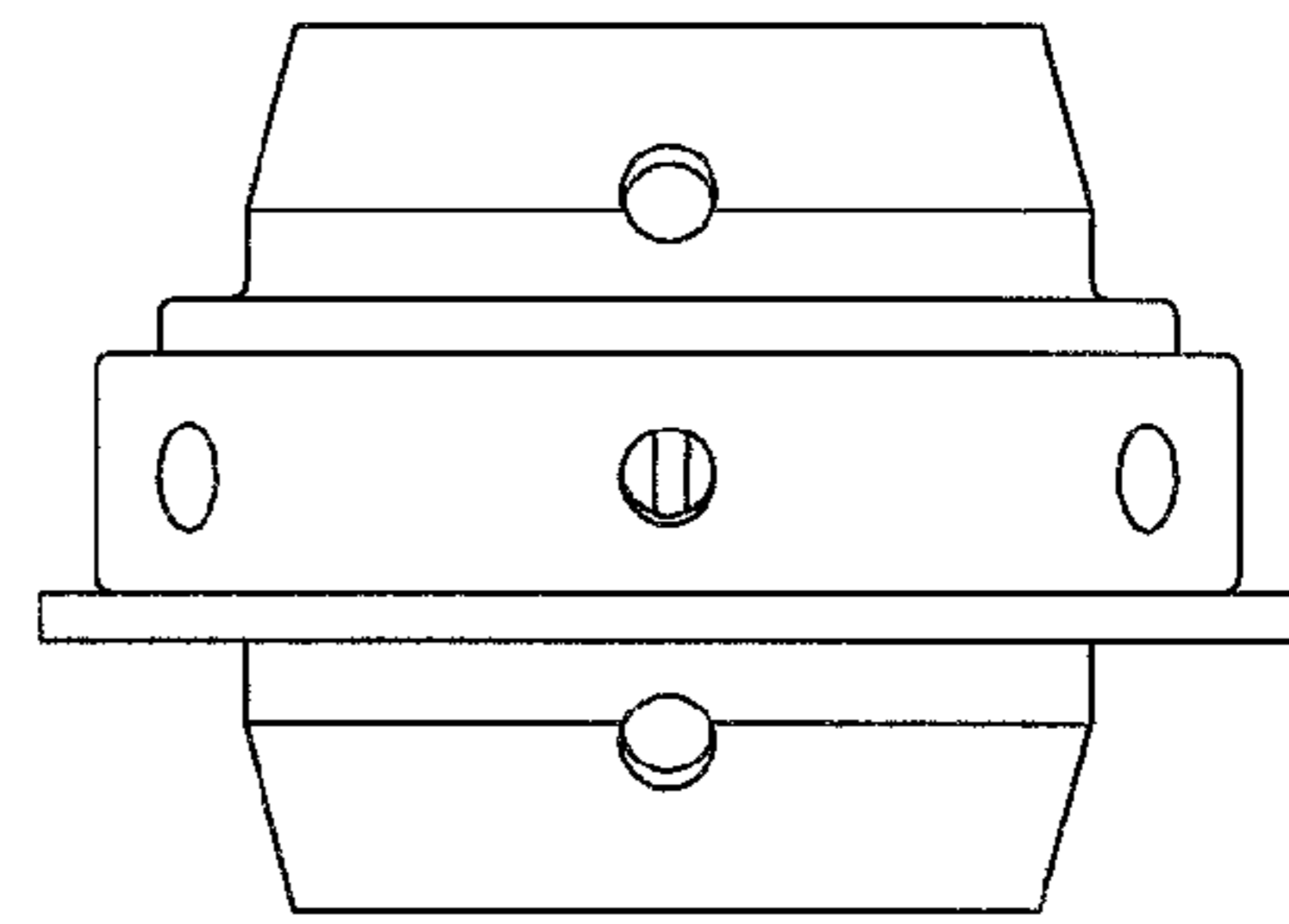


FIG. 2

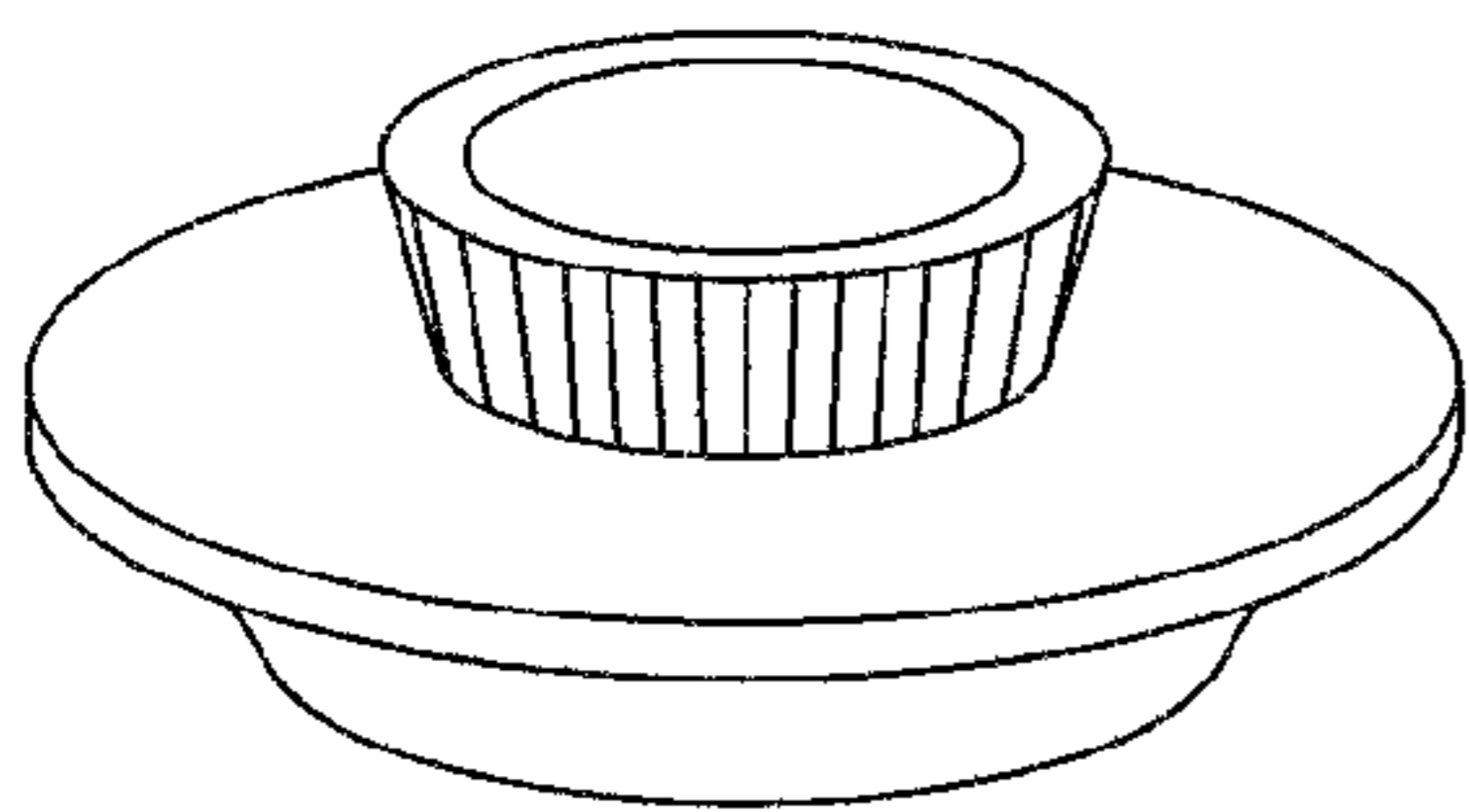


FIG. 3

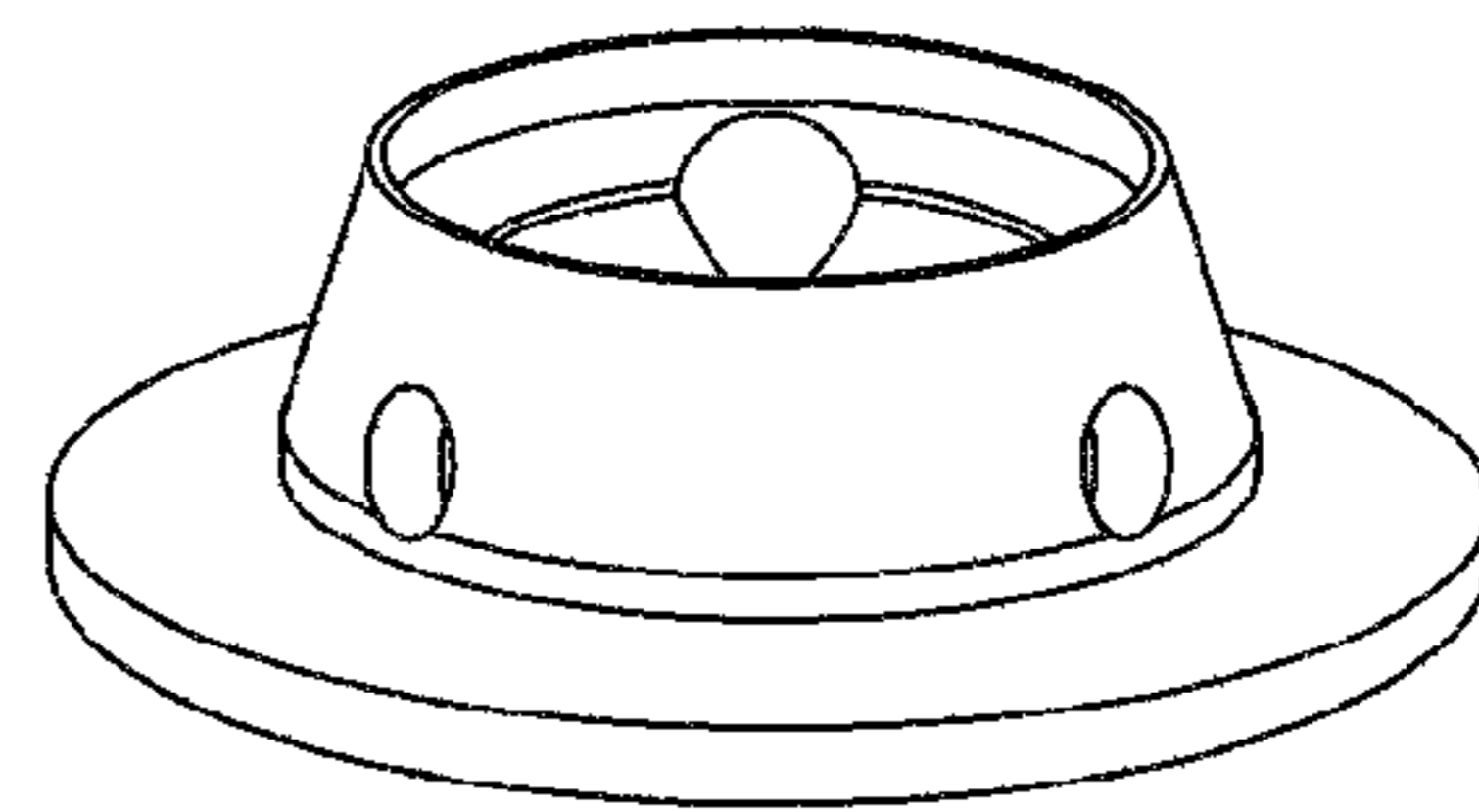


FIG. 4

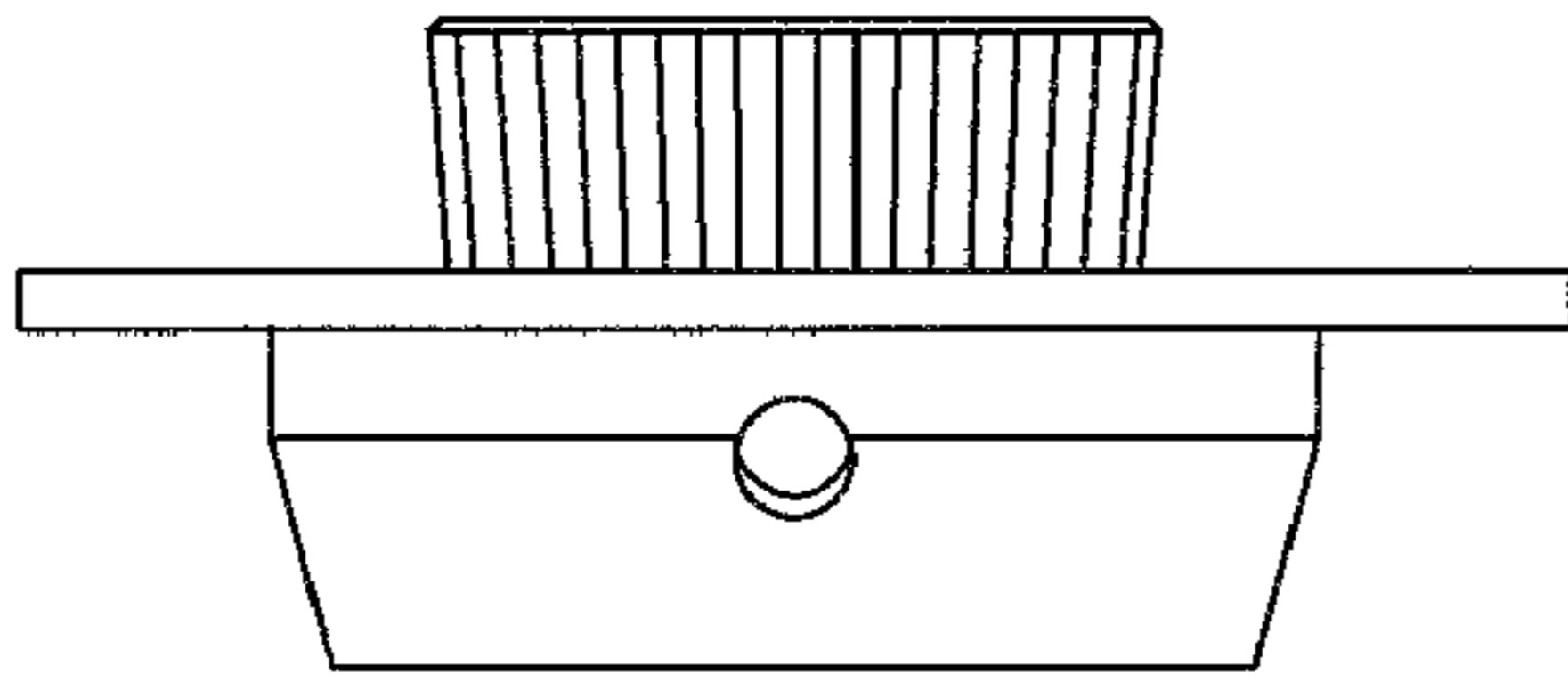


FIG. 5

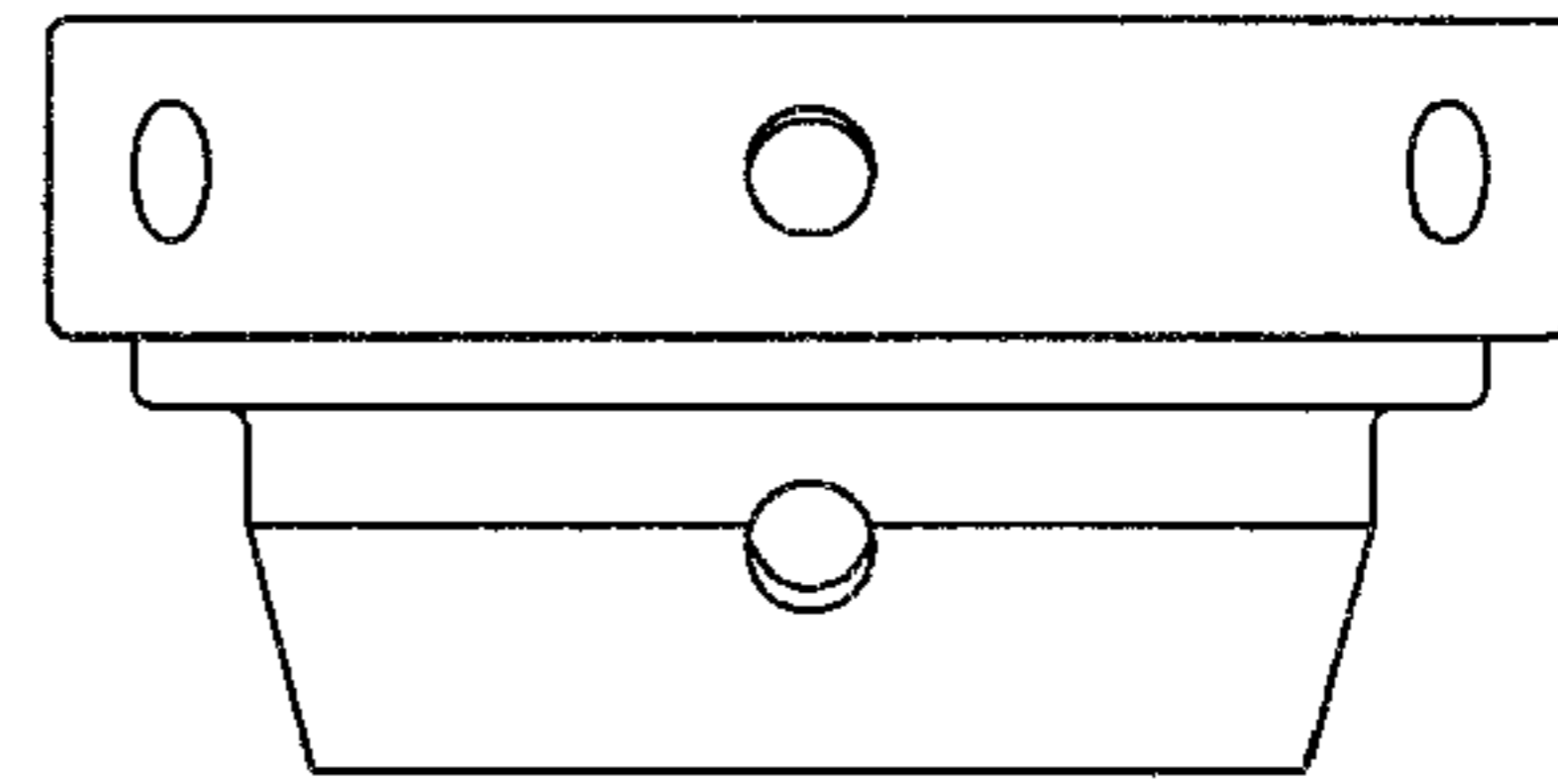


FIG. 6

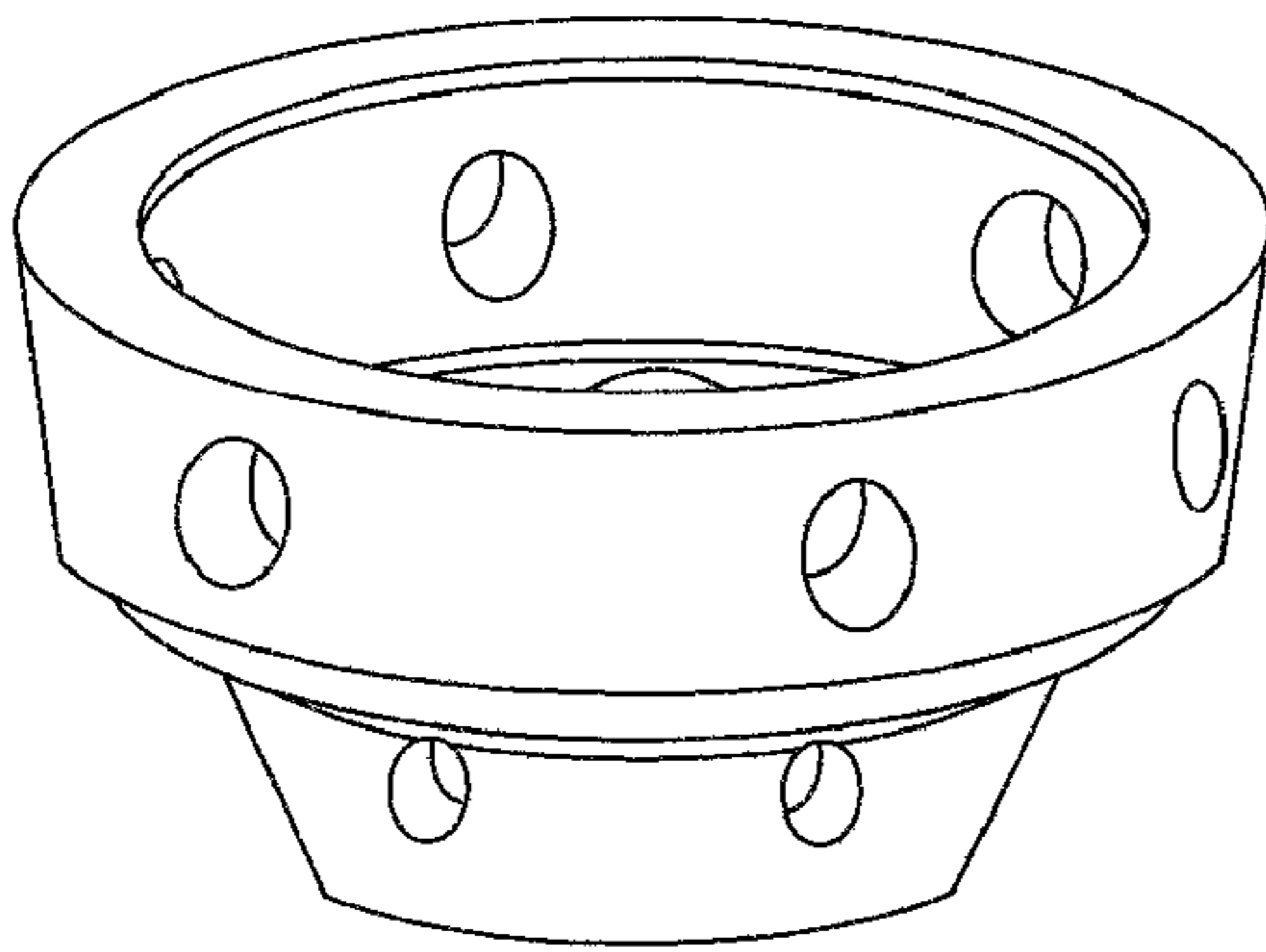


FIG. 7

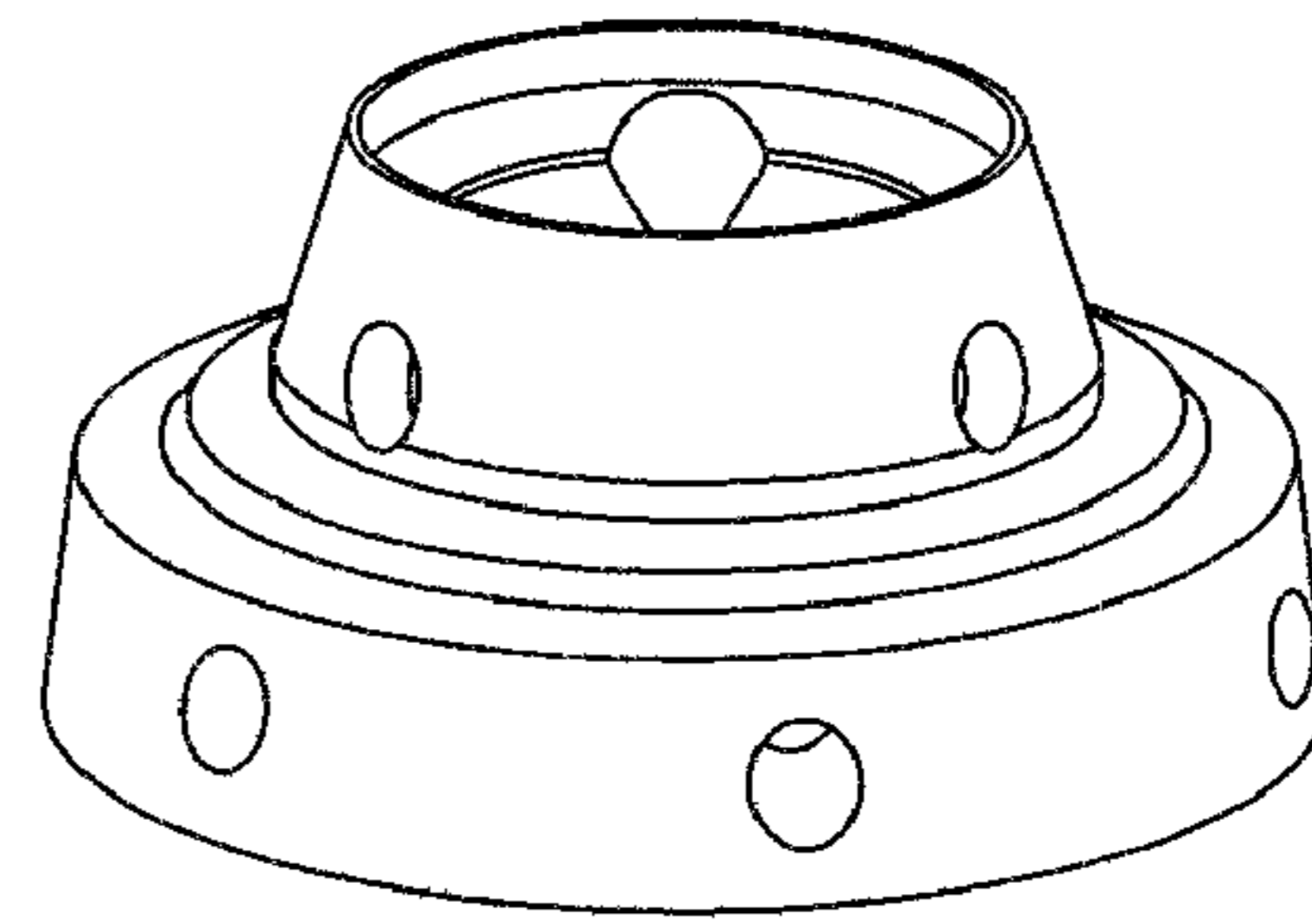


FIG. 8