

US00D620591S

(12) **United States Design Patent**
Young

(10) **Patent No.:** **US D620,591 S**
(45) **Date of Patent:** **** Jul. 27, 2010**

(54) **NEEDLE HUB**

(75) Inventor: **Christopher S. Young**, South Kent, CT (US)

(73) Assignee: **ISPG, Inc.**, New Milford, CT (US)

(**) Term: **14 Years**

(21) Appl. No.: **29/357,457**

(22) Filed: **Mar. 12, 2010**

Related U.S. Application Data

(62) Division of application No. 29/324,375, filed on Sep. 11, 2008, now Pat. No. Des. 614,296.

(51) **LOC (9) Cl.** **24-02**

(52) **U.S. Cl.** **D24/130**

(58) **Field of Classification Search** D24/107, D24/108, 112, 113, 114, 127, 129, 130, 133, D24/144; 604/110, 111, 198, 164.01, 164.03, 604/164.04, 164.05, 164.07, 164.11, 165.03, 604/174, 177
See application file for complete search history.

(56) **References Cited**

U.S. PATENT DOCUMENTS

2,540,445	A	2/1951	Harley	
D165,591	S	1/1952	Lee	
4,123,091	A	10/1978	Cosentino et al.	
D288,005	S	1/1987	Glash et al.	
4,832,696	A *	5/1989	Luther et al.	604/164.08
4,950,250	A *	8/1990	Haber et al.	604/192
D313,277	S	12/1990	Haining	
5,098,389	A	3/1992	Cappucci	
D326,155	S	5/1992	Boehringer et al.	
5,571,091	A	11/1996	Davis et al.	
5,582,595	A	12/1996	Haber et al.	
D378,130	S	2/1997	Schmidt	
D380,045	S	6/1997	Sullivan	
5,743,882	A	4/1998	Luther	

D401,689	S	11/1998	Sullivan
5,951,518	A	9/1999	Licata et al.
D425,198	S	5/2000	Porta
D428,141	S	7/2000	Brotspies et al.
6,213,978	B1	4/2001	Voyten
6,475,190	B2	11/2002	Young

(Continued)

FOREIGN PATENT DOCUMENTS

GB 2074620 5/1998

(Continued)

Primary Examiner—Elizabeth A Albert
Assistant Examiner—Karen E Eldridge Powers
(74) *Attorney, Agent, or Firm*—Carmody & Torrance LLP

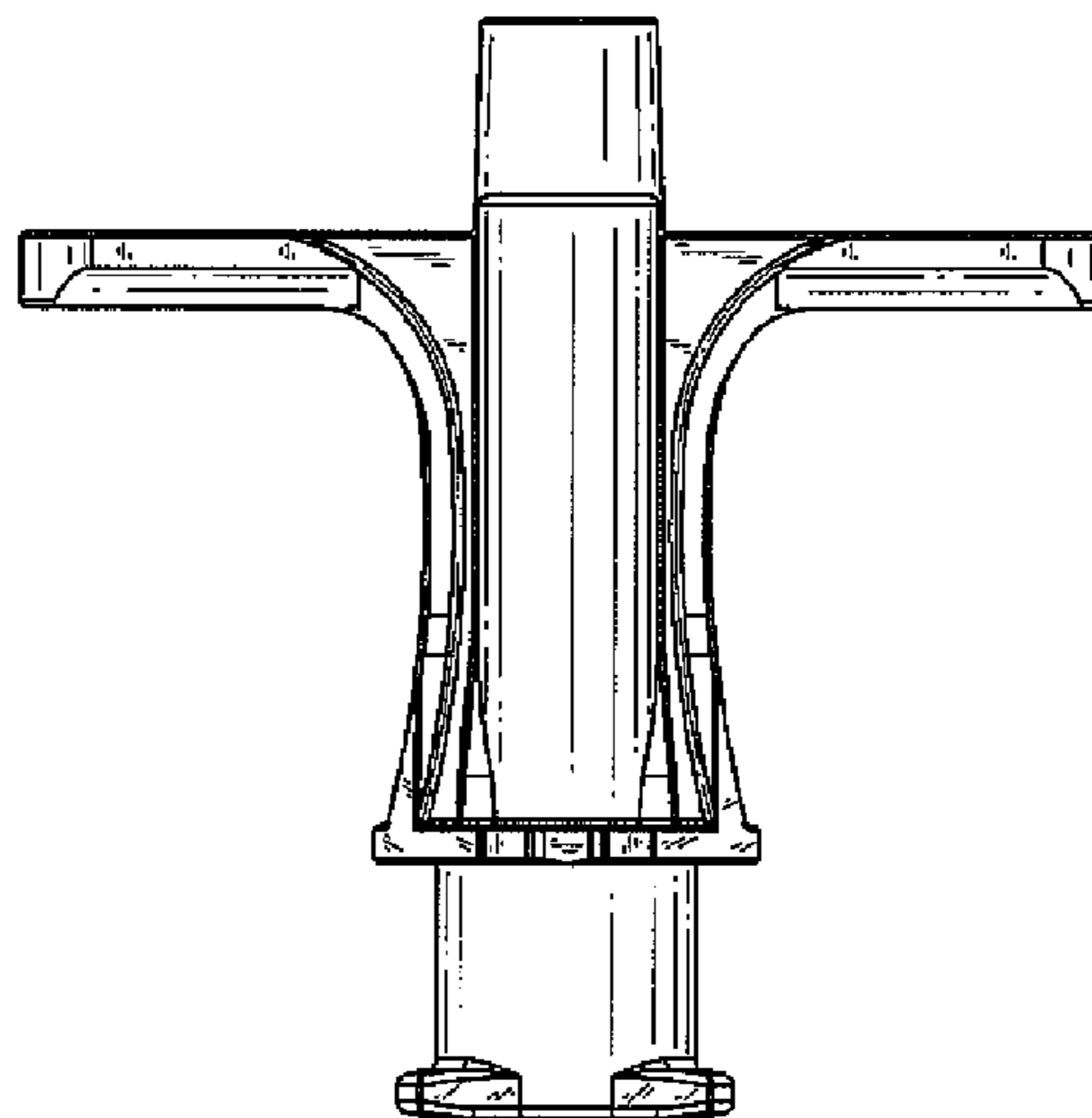
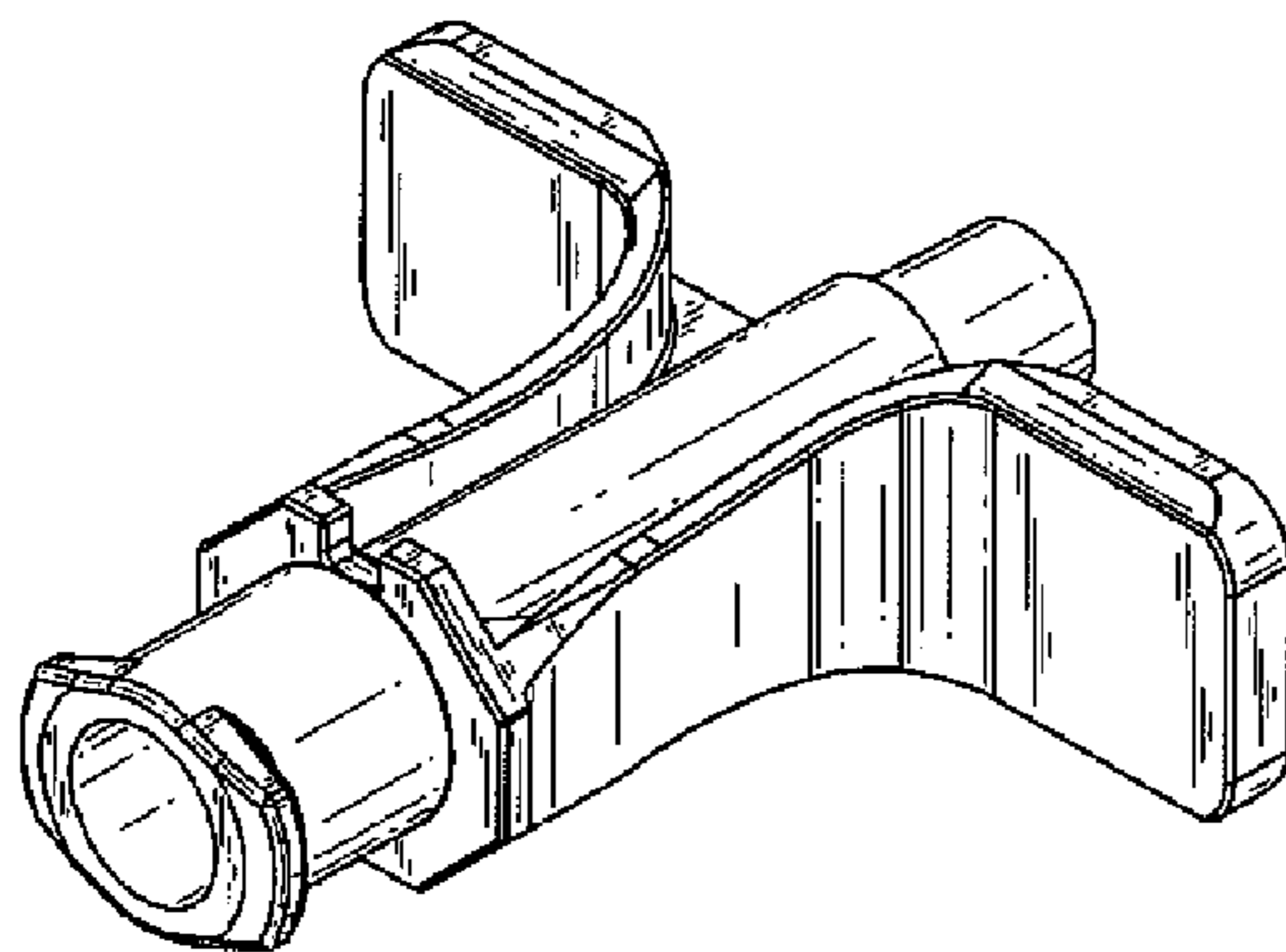
(57) **CLAIM**

The ornamental design for a needle hub, as shown and described.

DESCRIPTION

FIG. 1 is a perspective view of a needle hub showing my new design;
FIG. 2 is a front elevational view of FIG. 1;
FIG. 3 is a back elevational view of FIG. 1;
FIG. 4 is a right side elevational view of FIG. 1;
FIG. 5 is a left side elevational view of FIG. 1;
FIG. 6 is a top plan view of FIG. 1; and,
FIG. 7 is a bottom plan view of FIG. 1.

1 Claim, 1 Drawing Sheet



US D620,591 S

Page 2

U.S. PATENT DOCUMENTS

6,554,809 B2 4/2003 Aves
6,558,354 B1 * 5/2003 Howell 604/162
6,656,161 B2 12/2003 Young et al.
6,773,417 B2 8/2004 Fitzgibbons et al.
7,101,353 B2 9/2006 Lui et al.
7,351,231 B2 4/2008 Young
D573,256 S 7/2008 Mauch
D576,276 S 9/2008 Osypka

2005/0245874 A1 11/2005 Carrez et al.
2007/0060889 A1 3/2007 Adams
2008/0262430 A1 10/2008 Anderson et al.
2009/0192463 A1 7/2009 Nardeo et al.
2009/0318867 A1 12/2009 Amisar et al.

FOREIGN PATENT DOCUMENTS

GB 2088915 7/1999

* cited by examiner

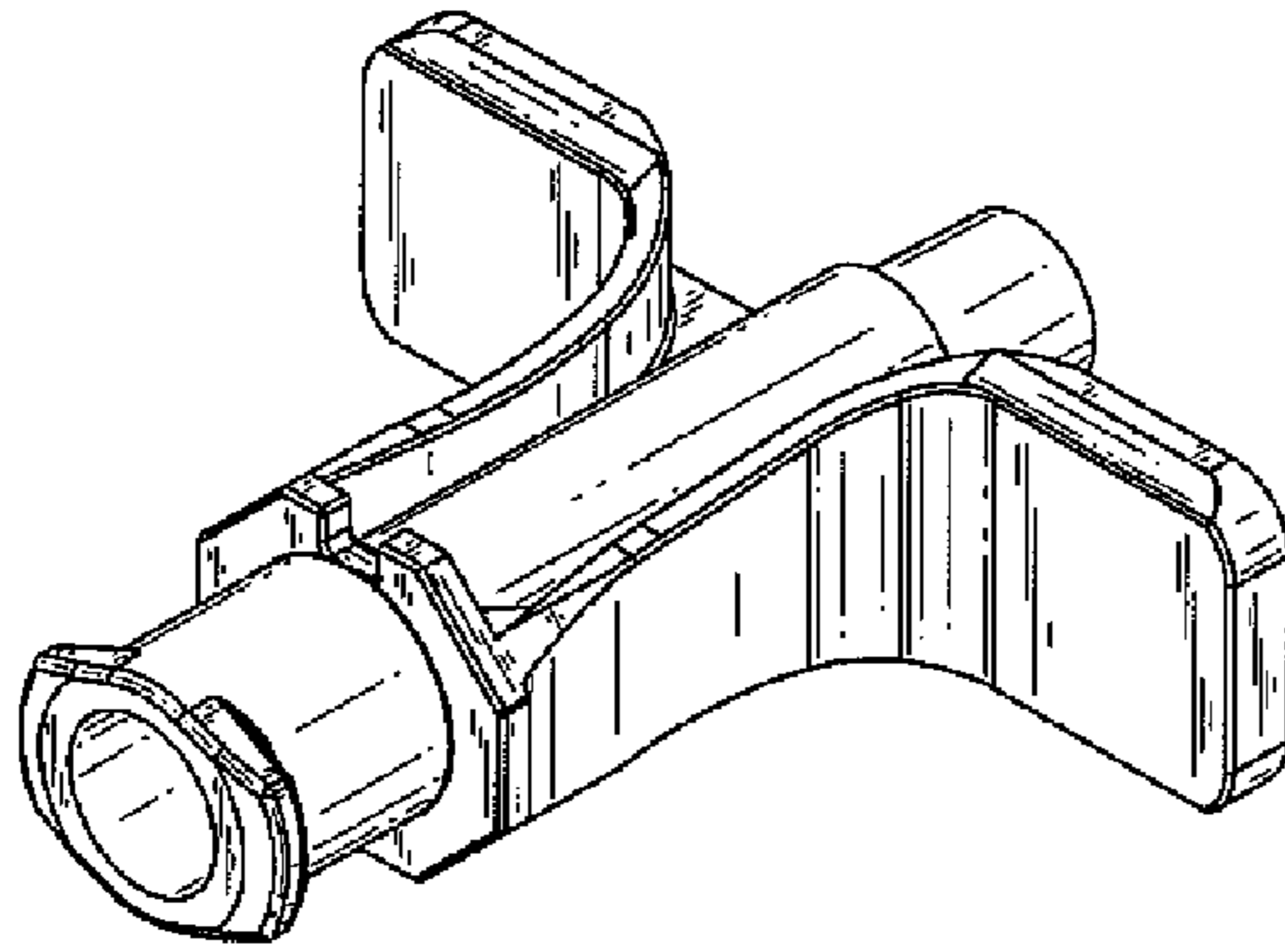


FIG. 1

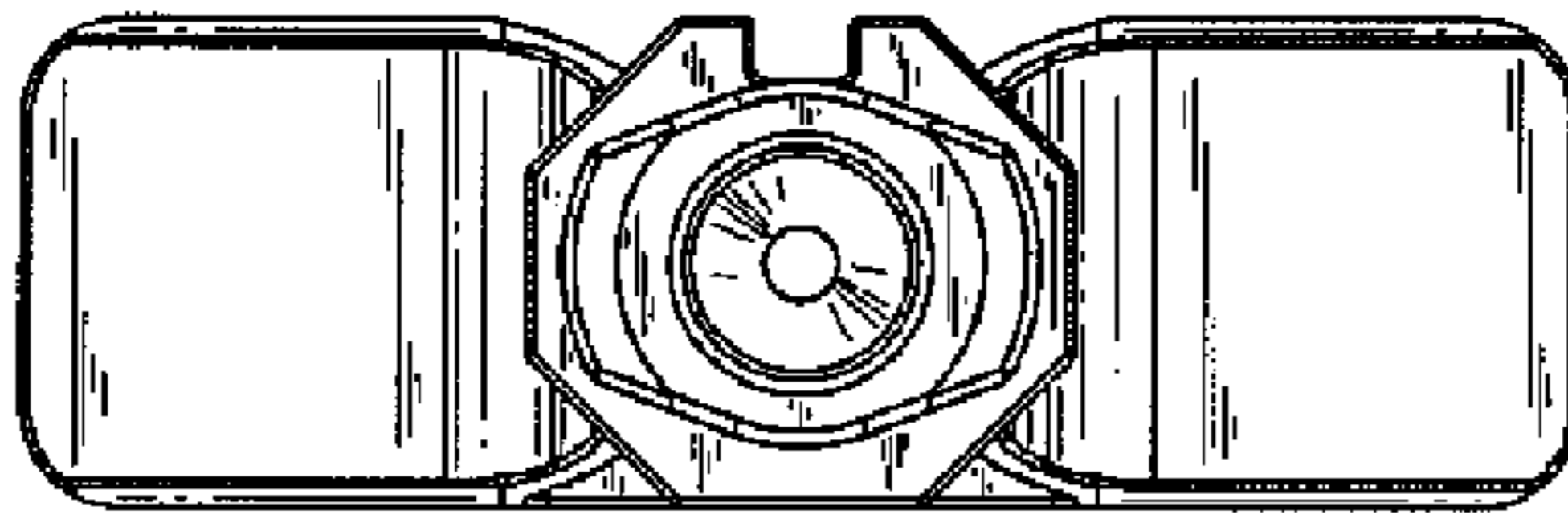


FIG. 2

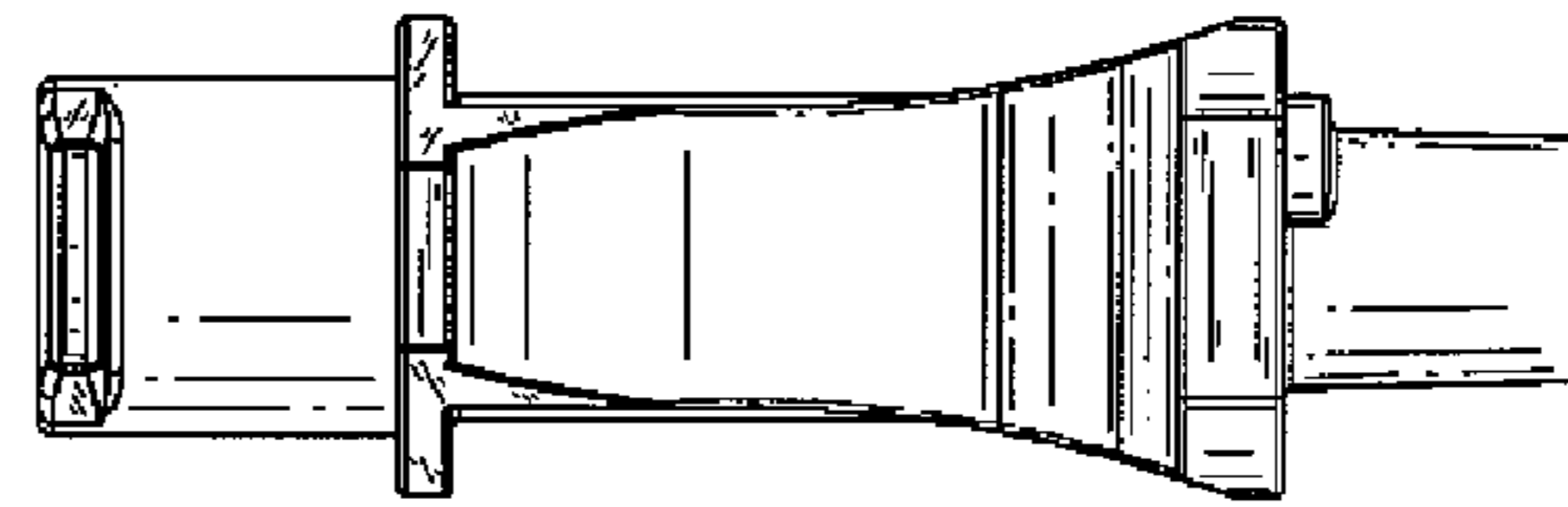


FIG. 4

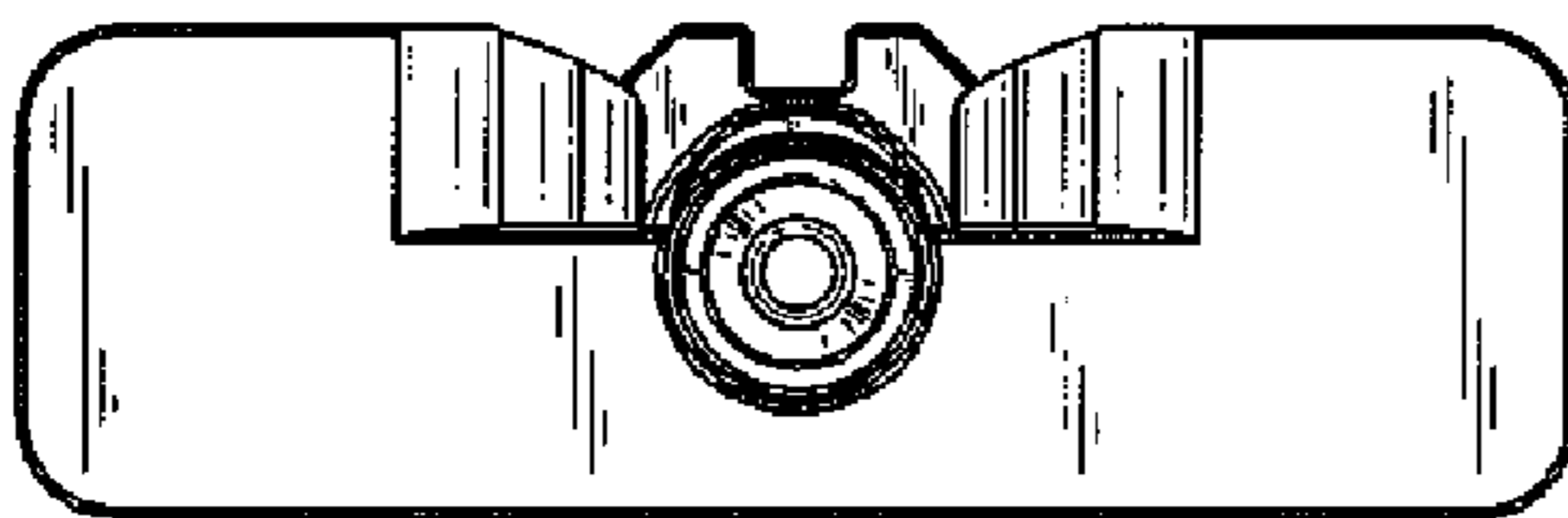


FIG. 3

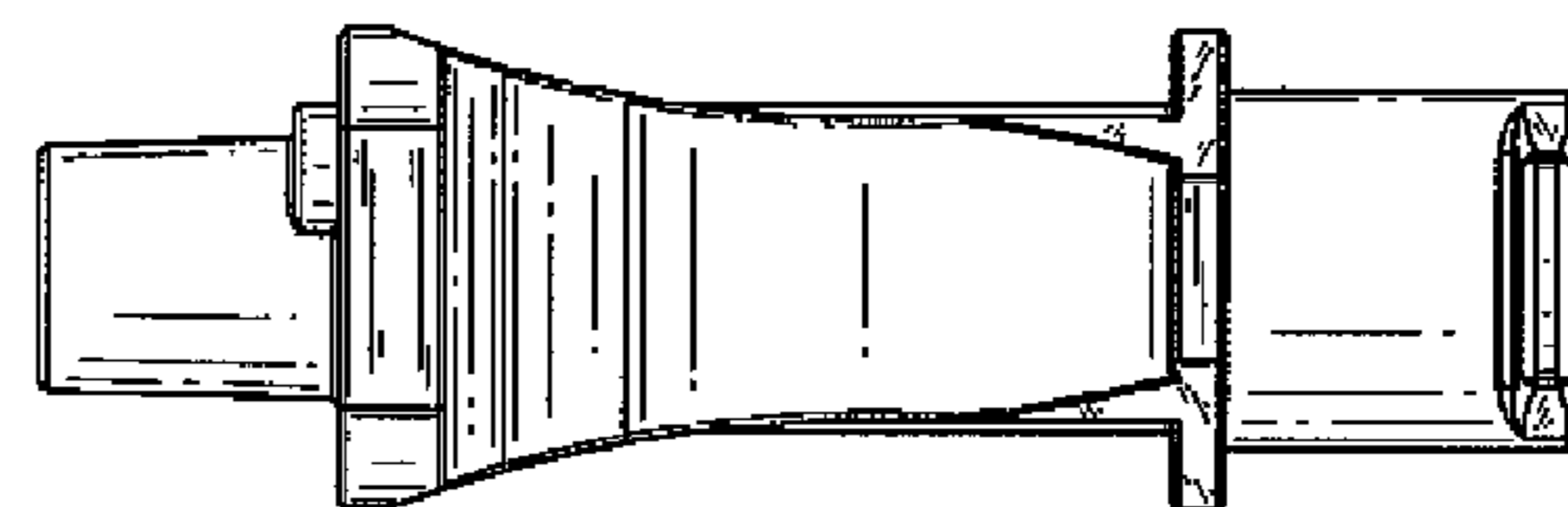


FIG. 5

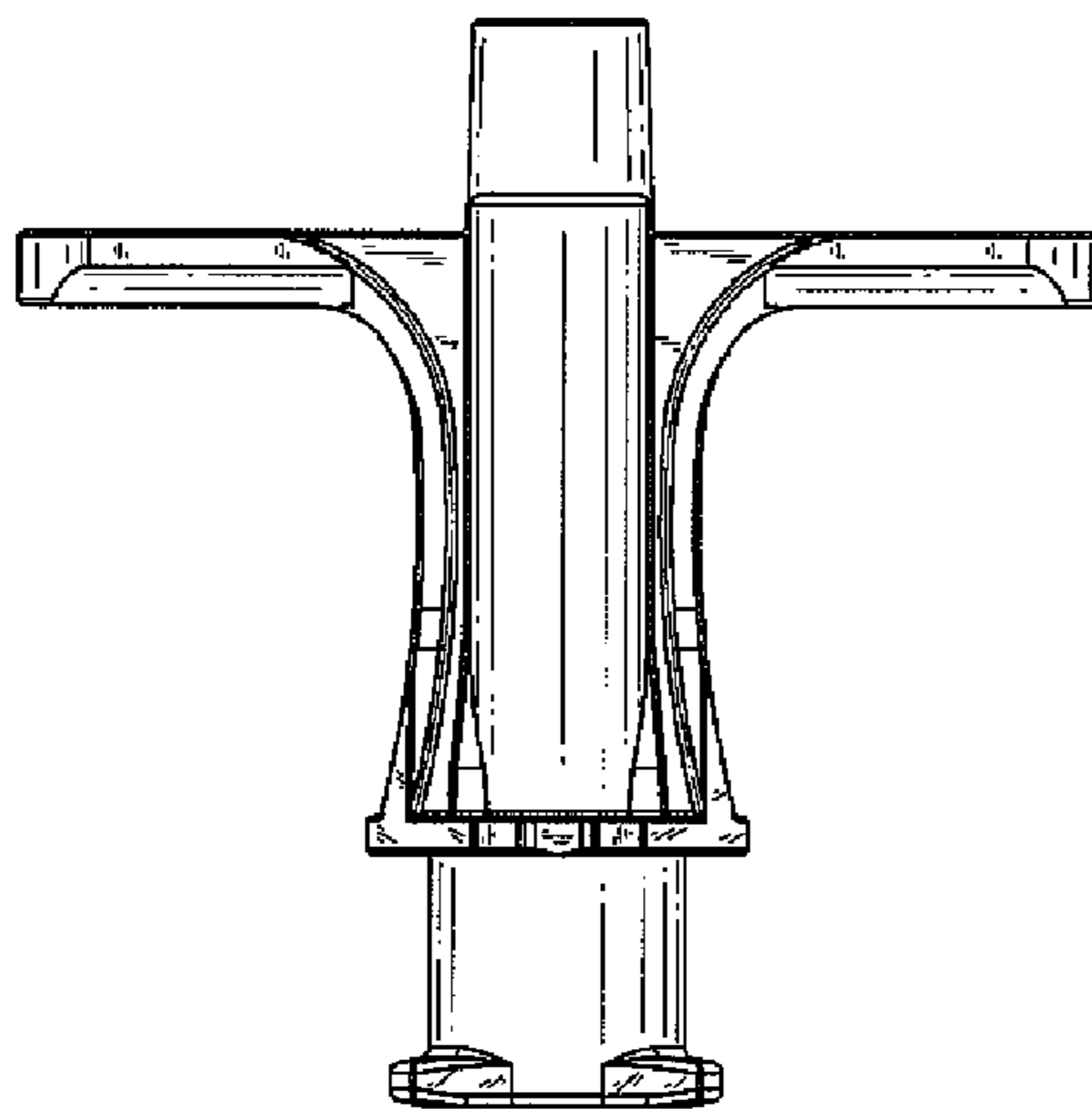


FIG. 6

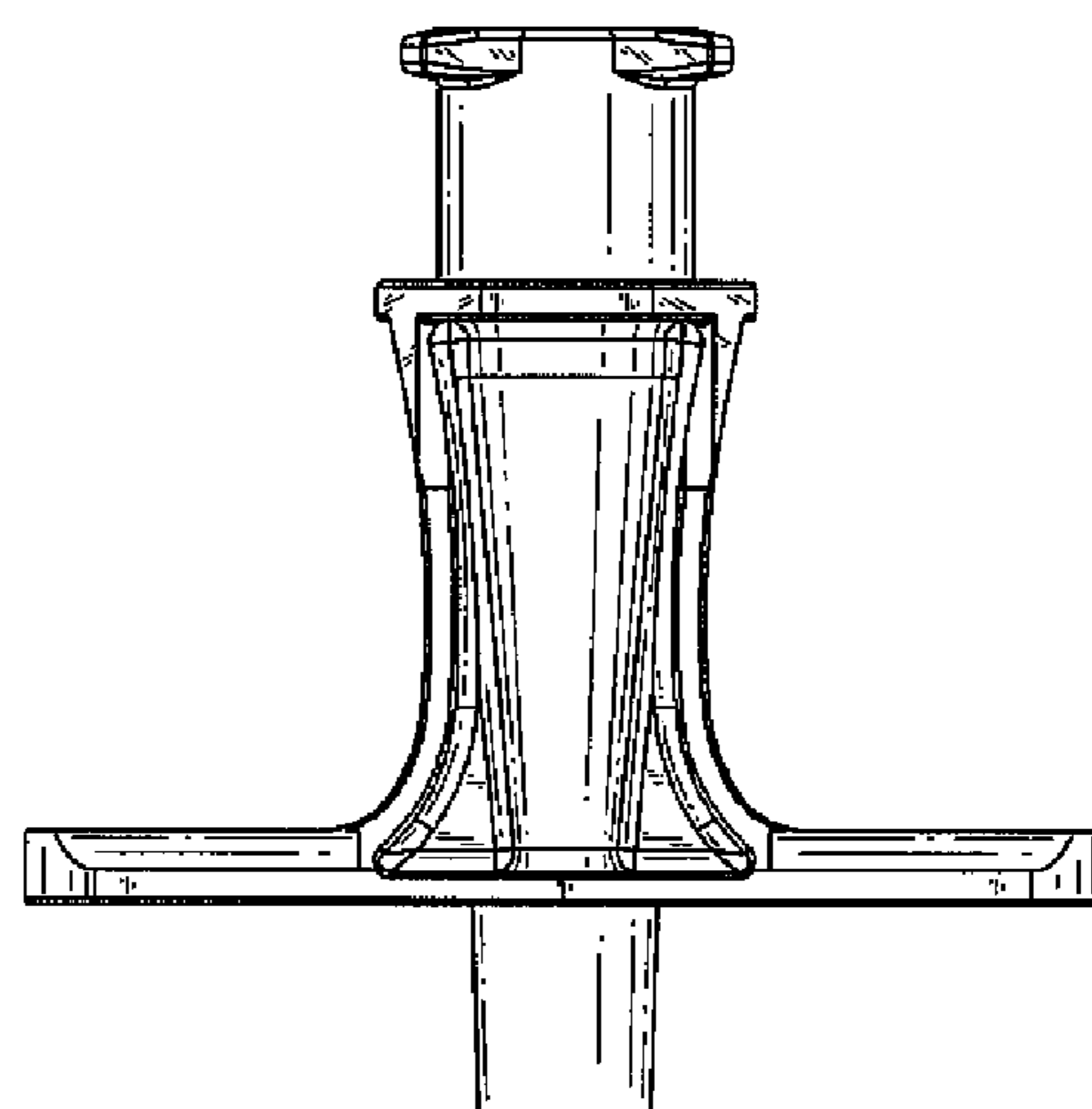


FIG. 7