



US00D620590S

(12) **United States Design Patent**
Wan

(10) **Patent No.:** **US D620,590 S**

(45) **Date of Patent:** **** Jul. 27, 2010**

(54) **LIQUID SAMPLING AND TESTING CUP**

(76) Inventor: **John Wan**, 1713 Virginia Rd., San Marino, CA (US) 91108

(**) Term: **14 Years**

(21) Appl. No.: **29/293,767**

(22) Filed: **Dec. 11, 2007**

(51) **LOC (9) Cl.** **24-04**

(52) **U.S. Cl.** **D24/121**

(58) **Field of Classification Search** D24/121-123,
D24/224, 223, 216, 207; 422/58, 102; 604/317,
604/318, 334; 600/573; D9/516, 572
See application file for complete search history.

(56) **References Cited**

U.S. PATENT DOCUMENTS

| | | | | | |
|--------------|------|---------|--------------------|-------|---------|
| 4,810,651 | A * | 3/1989 | Schwartz | | D24/224 |
| 5,119,830 | A * | 6/1992 | Davis | | D24/122 |
| 5,316,732 | A * | 5/1994 | Golukhov et al. | | 422/102 |
| 5,403,551 | A * | 4/1995 | Galloway et al. | | 422/58 |
| D370,263 | S * | 5/1996 | Falkenberg et al. | | D24/224 |
| D383,851 | S * | 9/1997 | Wong | | D24/224 |
| D390,668 | S * | 2/1998 | Lewandowski et al. | | D24/224 |
| 5,976,895 | A * | 11/1999 | Cipkowski | | 422/58 |
| D434,494 | S * | 11/2000 | Wilkinson et al. | | D24/122 |
| 6,342,183 | B1 * | 1/2002 | Lappe et al. | | 422/58 |
| 7,041,253 | B1 * | 5/2006 | Sun | | 422/58 |
| D527,463 | S * | 8/2006 | Py et al. | | D24/224 |
| 7,270,959 | B2 | 9/2007 | Hudak | | |
| 7,300,633 | B2 | 11/2007 | Hudak et al. | | |
| 2004/0133128 | A1 | 7/2004 | Guan et al. | | |
| 2005/0106750 | A1 | 5/2005 | Tung et al. | | |

* cited by examiner

Primary Examiner—T. Chase Nelson

Assistant Examiner—David G Muller

(74) *Attorney, Agent, or Firm*—Scully, Scott, Murphy & Presser, P.C.

(57) **CLAIM**

The ornamental design for a liquid sampling and testing cup, as shown and described.

DESCRIPTION

FIG. 1 shows a front perspective view of the liquid sampling and testing cup;

FIG. 2 shows a back perspective view of the liquid sampling and testing cup;

FIG. 3 shows a perspective view of the liquid sampling and testing cup with the lid and the rotary piston attached to the cup body thereof;

FIG. 4 shows a perspective view of the liquid sampling and testing cup with the lid and the rotary piston removed from the cup body thereof;

FIG. 5 shows a front elevation view of the liquid sampling and testing cup with the lid and the rotary piston removed from the cup body thereof;

FIG. 6 shows a top plan view of the cup shown in FIG. 5;

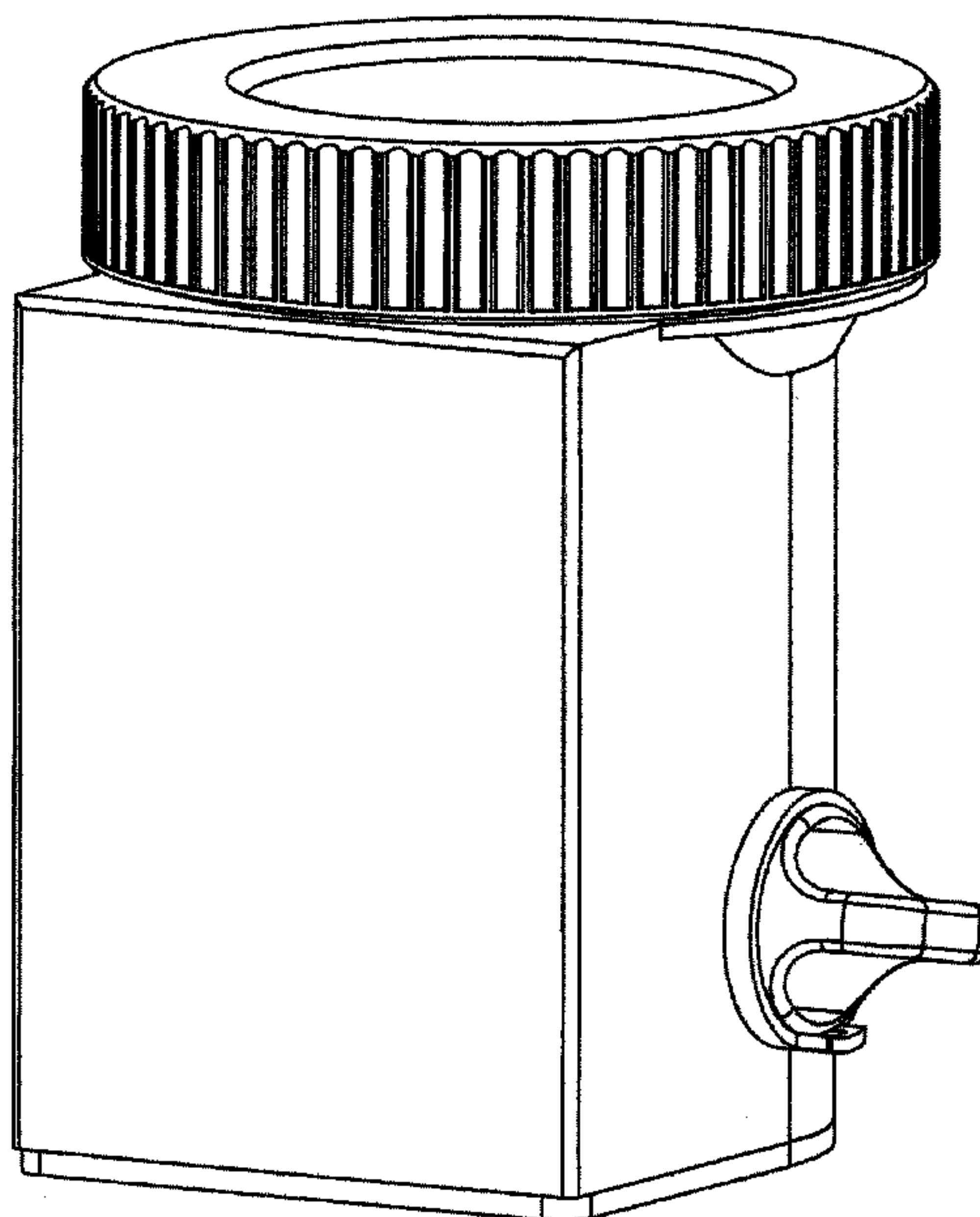
FIG. 7 shows a bottom plan view of the cup shown in FIG. 5;

FIG. 8 shows an enlarged perspective view of the base of the liquid sampling and testing cup shown in FIGS. 1 and 2; and,

FIG. 9 shows an enlarged perspective view of the rotary piston shown in FIGS. 1 and 2.

Broken lines showing of parts of the drawings are included for the purpose of illustrating use and environment and form no part of the claimed design.

1 Claim, 9 Drawing Sheets



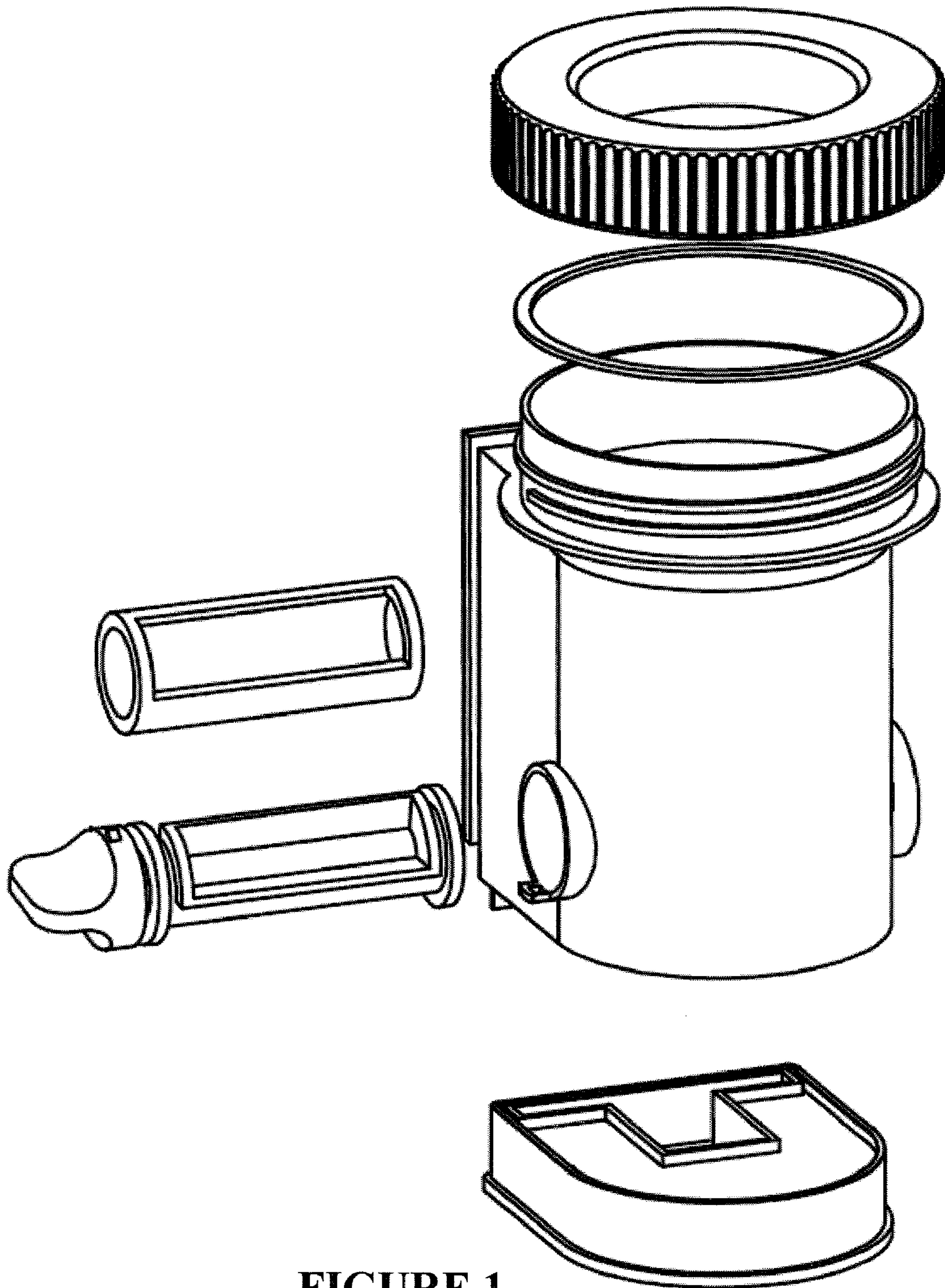


FIGURE 1

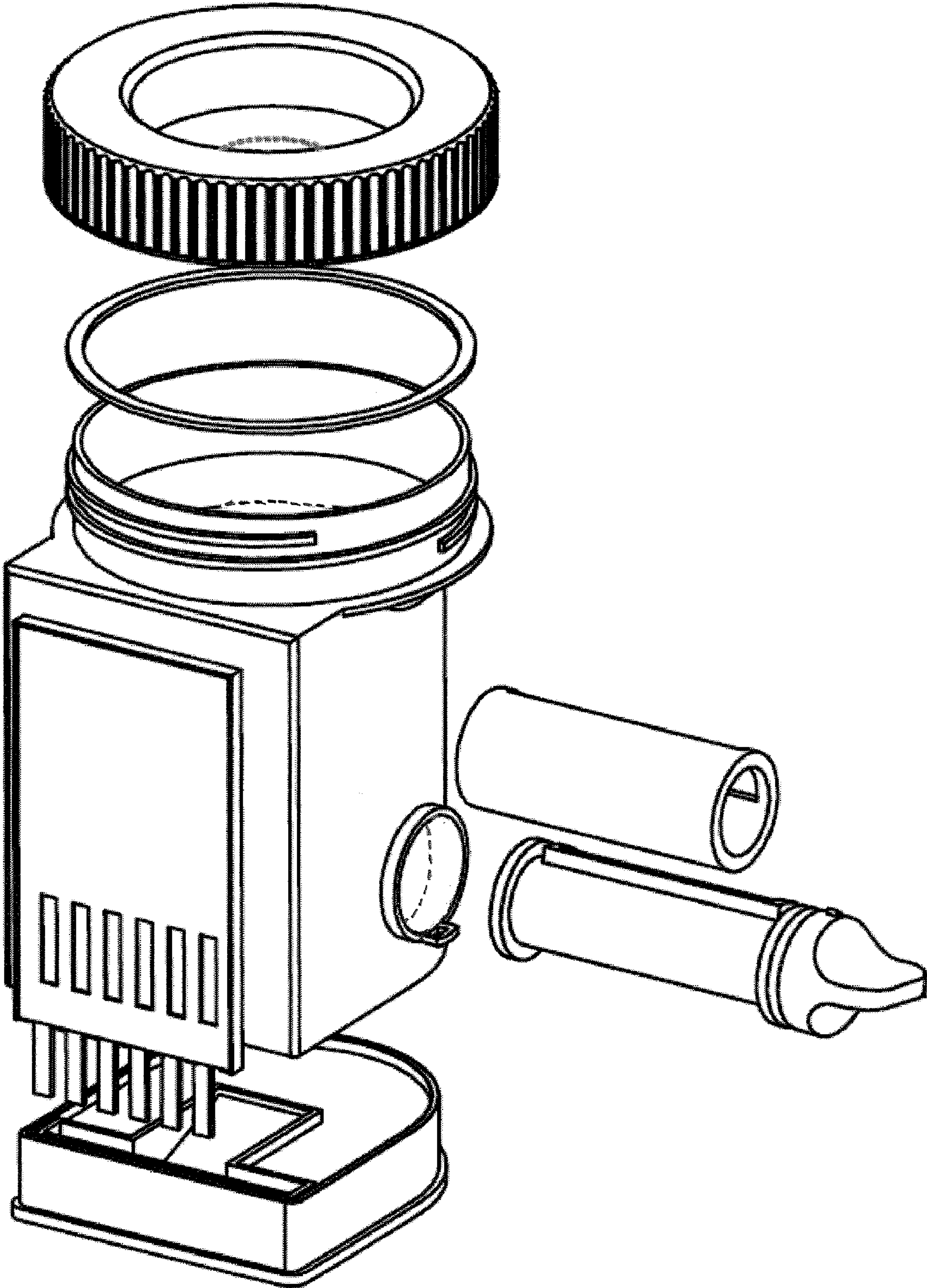


FIGURE 2

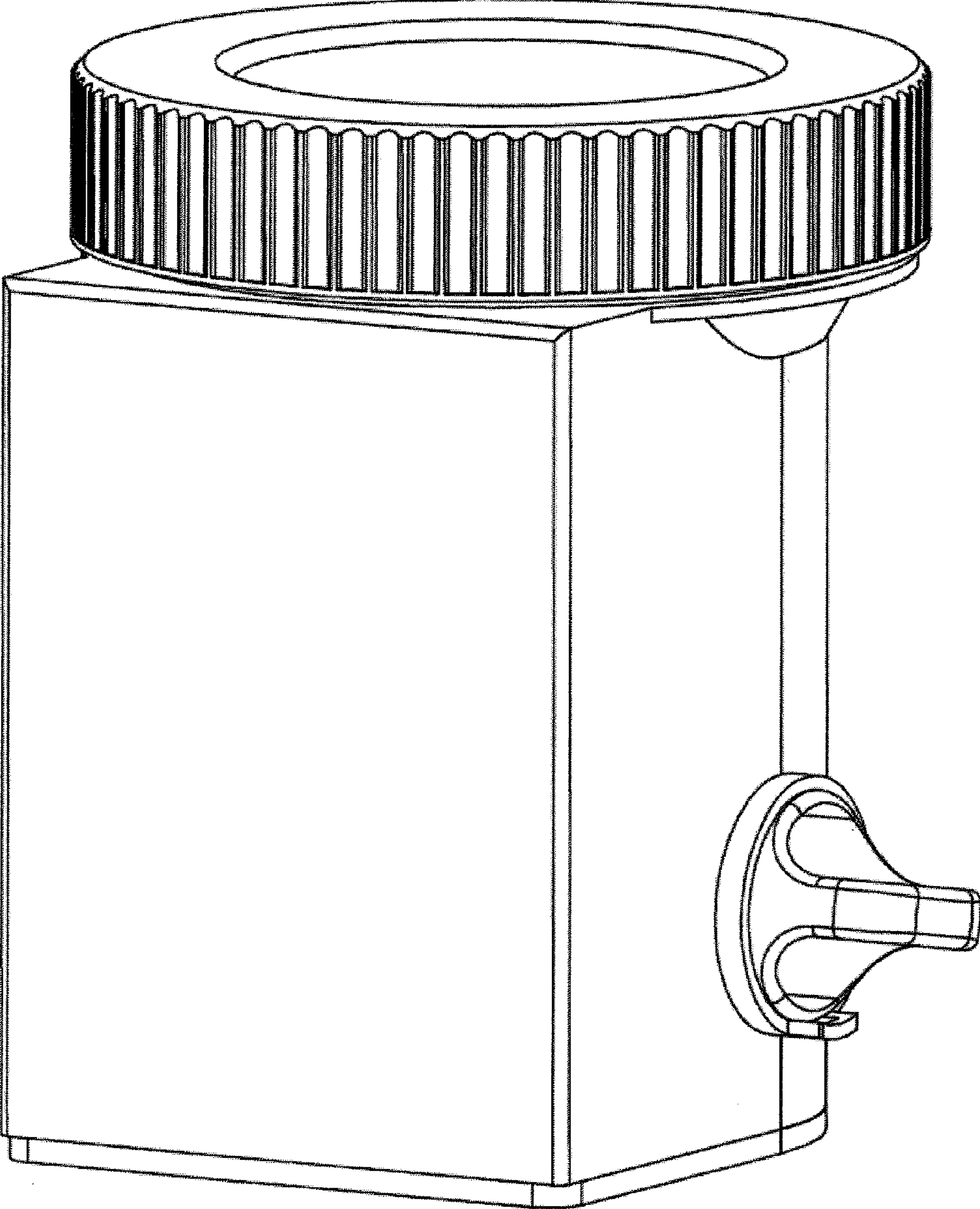


FIGURE 3

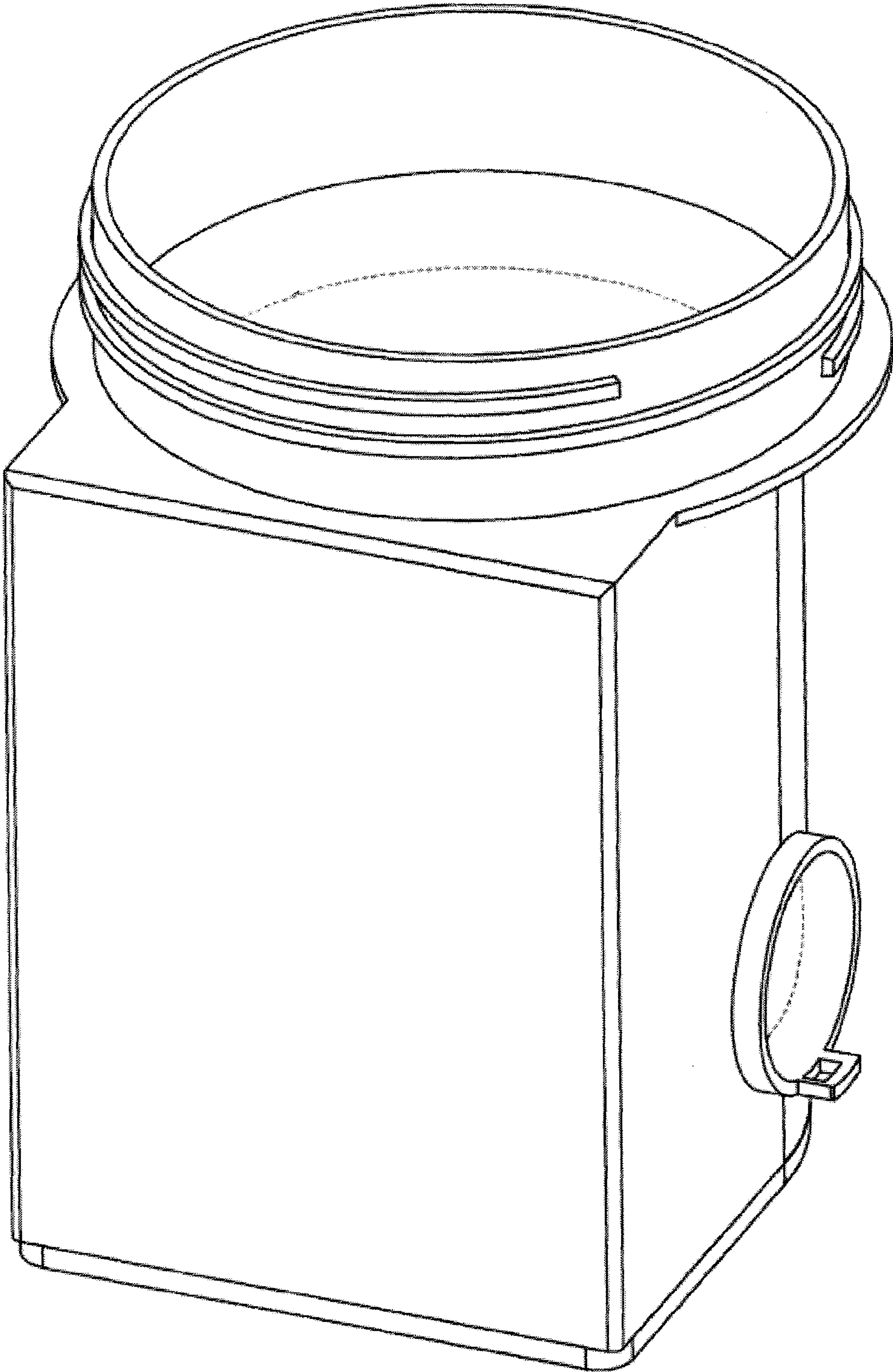


FIGURE 4

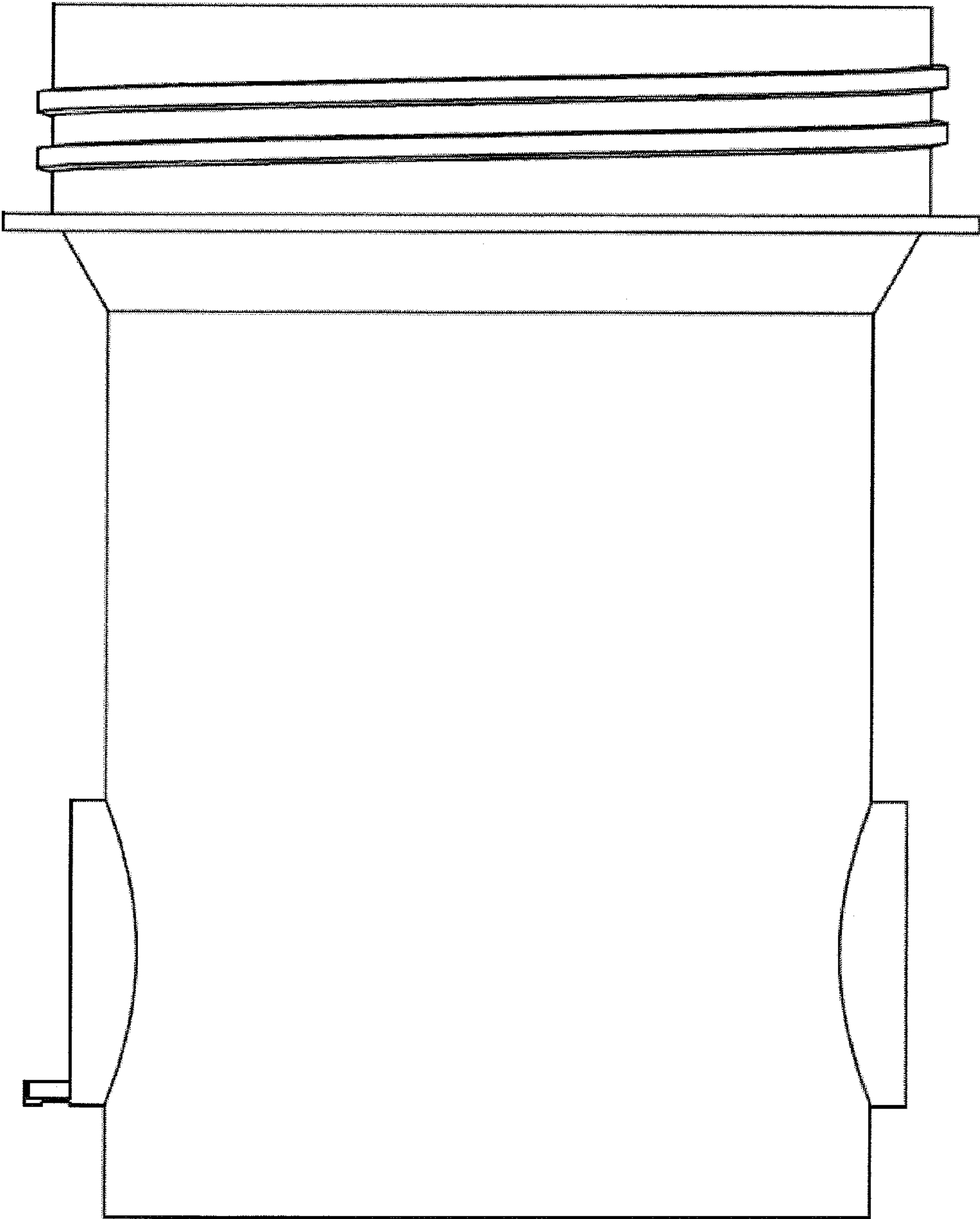


FIGURE 5

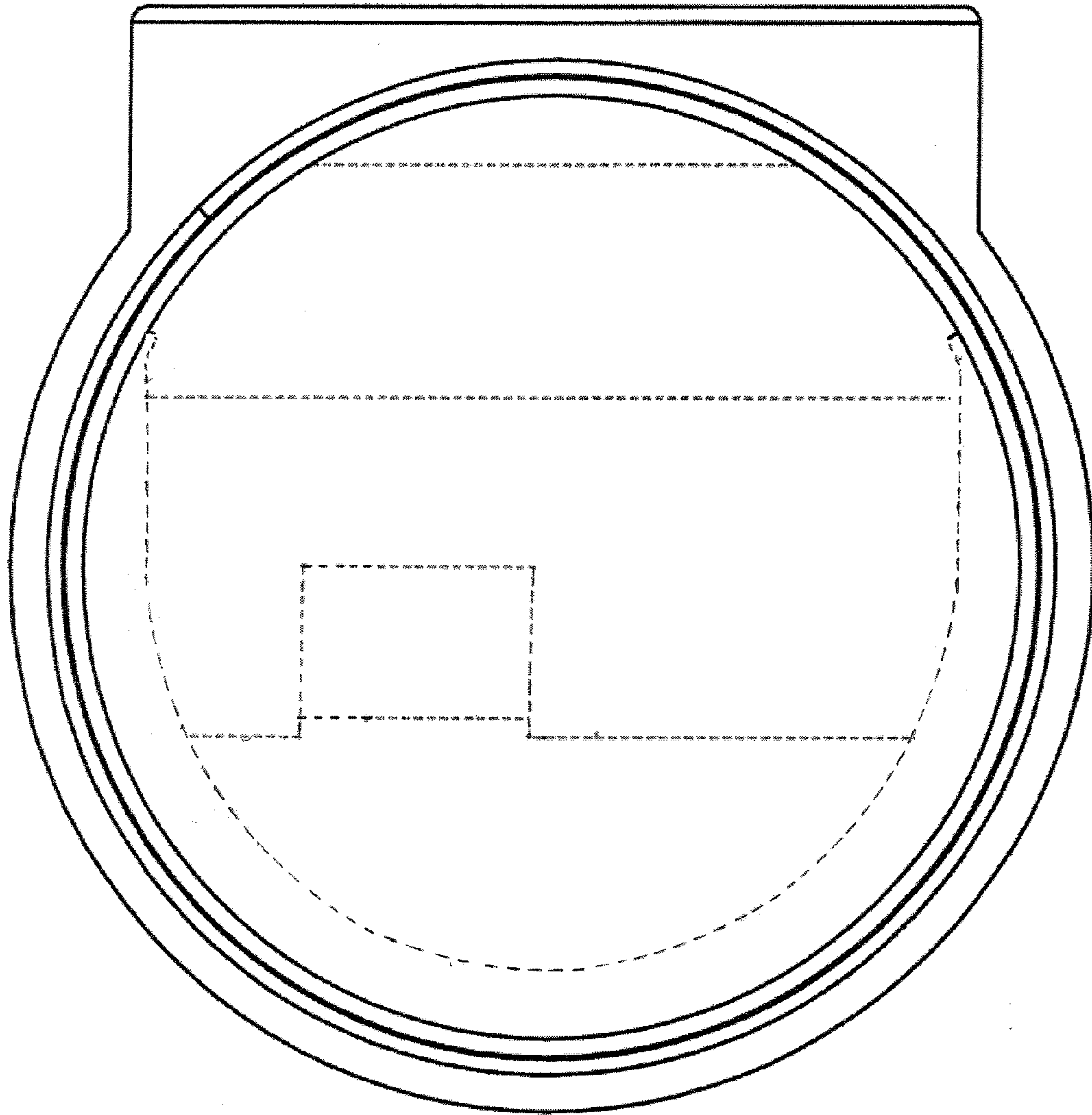


FIGURE 6

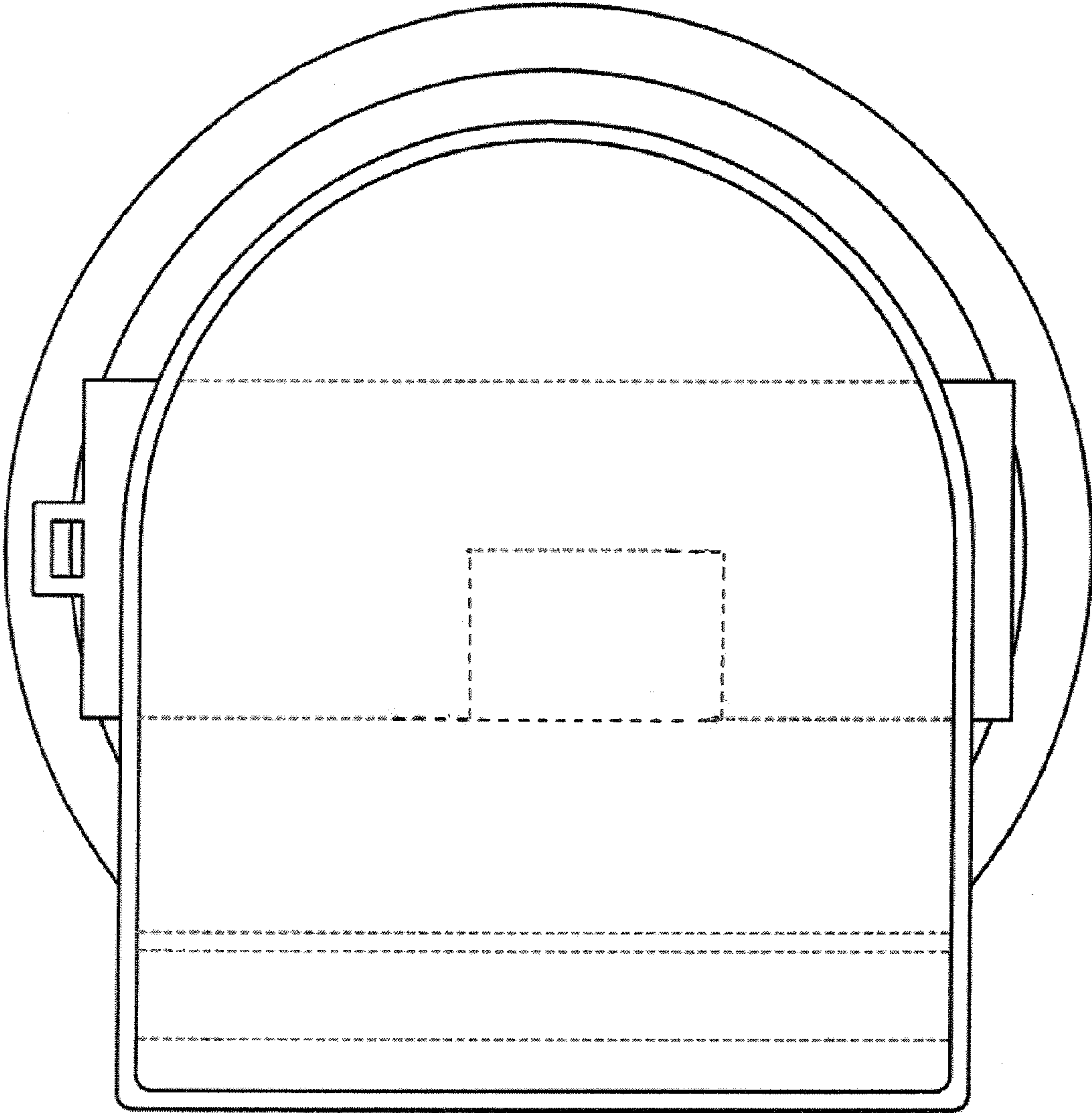


FIGURE 7

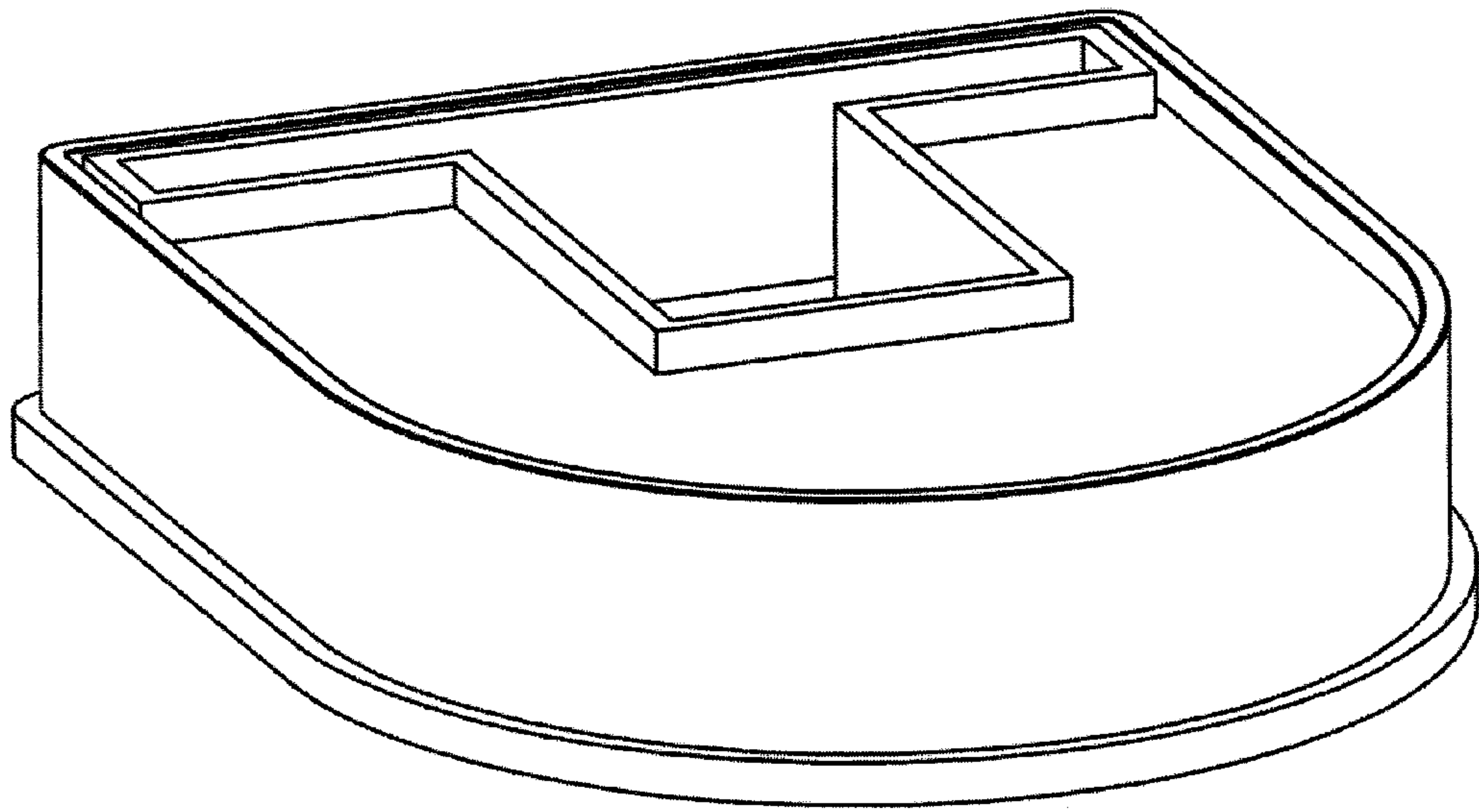


FIGURE 8

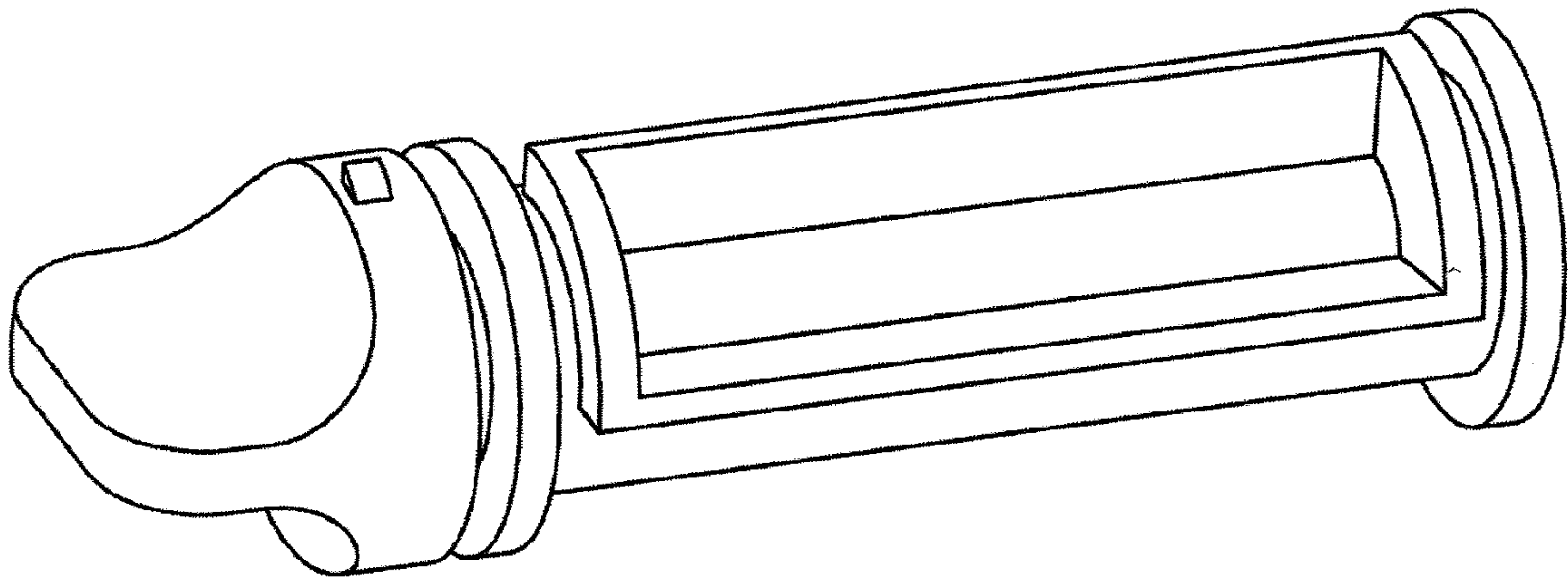


FIGURE 9