



US00D620585S

(12) **United States Design Patent**  
**Adair**

(10) **Patent No.:** **US D620,585 S**

(45) **Date of Patent:** **\*\* Jul. 27, 2010**

(54) **COOLING NOZZLE**

(75) **Inventor:** **Mark Allen Adair**, Muncie, IN (US);  
**Susan E. Adair**, legal representative,  
Muncie, IN (US)

(73) **Assignee:** **Saint-Gobain Containers, Inc.**, Muncie,  
IN (US)

(\*\*) **Term:** **14 Years**

(21) **Appl. No.:** **29/338,254**

(22) **Filed:** **Jun. 8, 2009**

(51) **LOC (9) Cl.** ..... **23-04**

(52) **U.S. Cl.** ..... **D23/387**

(58) **Field of Classification Search** ..... D23/385-395,  
D23/397, 370-373, 351, 354, 399-403, 213,  
D23/260; 454/309, 275-277, 284, 287-291;  
D32/18

See application file for complete search history.

(56) **References Cited**

**U.S. PATENT DOCUMENTS**

D137,830 S \* 5/1944 Mabrito ..... D23/372  
D256,156 S \* 7/1980 Garritson ..... D23/393  
D259,618 S \* 6/1981 Tack ..... D32/18  
D274,749 S \* 7/1984 Petermen ..... D23/370  
D277,404 S \* 1/1985 Peterson et al. .... D23/371

D283,248 S \* 4/1986 Clark ..... D23/371  
D316,143 S \* 4/1991 Lipps ..... D23/371  
D332,305 S \* 1/1993 Karlsson ..... D23/371  
D380,823 S \* 7/1997 LaZar ..... D23/372  
D389,907 S \* 1/1998 Willis ..... D23/393  
D392,380 S \* 3/1998 Schrank et al. .... D23/372  
D465,021 S \* 10/2002 Liou ..... D23/372  
D579,096 S \* 10/2008 Guzorek ..... D23/370

\* cited by examiner

*Primary Examiner*—T. Chase Nelson

*Assistant Examiner*—David G Muller

(74) *Attorney, Agent, or Firm*—Matthew R. Schantz;  
Bingham McHale LLP

(57) **CLAIM**

The ornamental design for a cooling nozzle, as shown and described.

**DESCRIPTION**

FIG. 1 is a perspective view of the illustrated embodiment.

FIG. 2 is a top view of the illustrated embodiment.

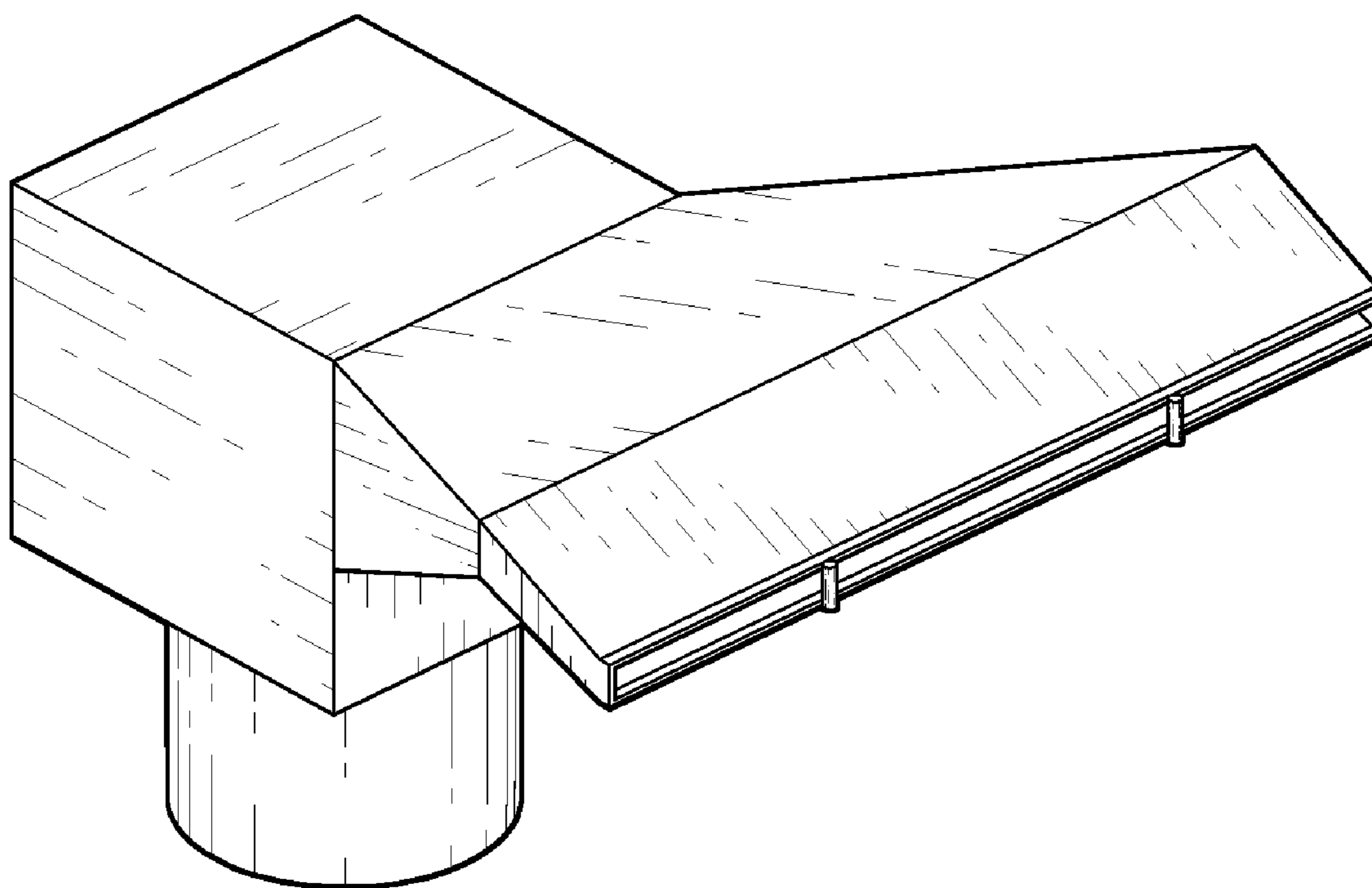
FIG. 3 is a front view of the illustrated embodiment.

FIG. 4 is a left side view of the illustrated embodiment.

FIG. 5 is a rear view of the illustrated embodiment; and,

FIG. 6 is a bottom view of the illustrated embodiment.

**1 Claim, 4 Drawing Sheets**



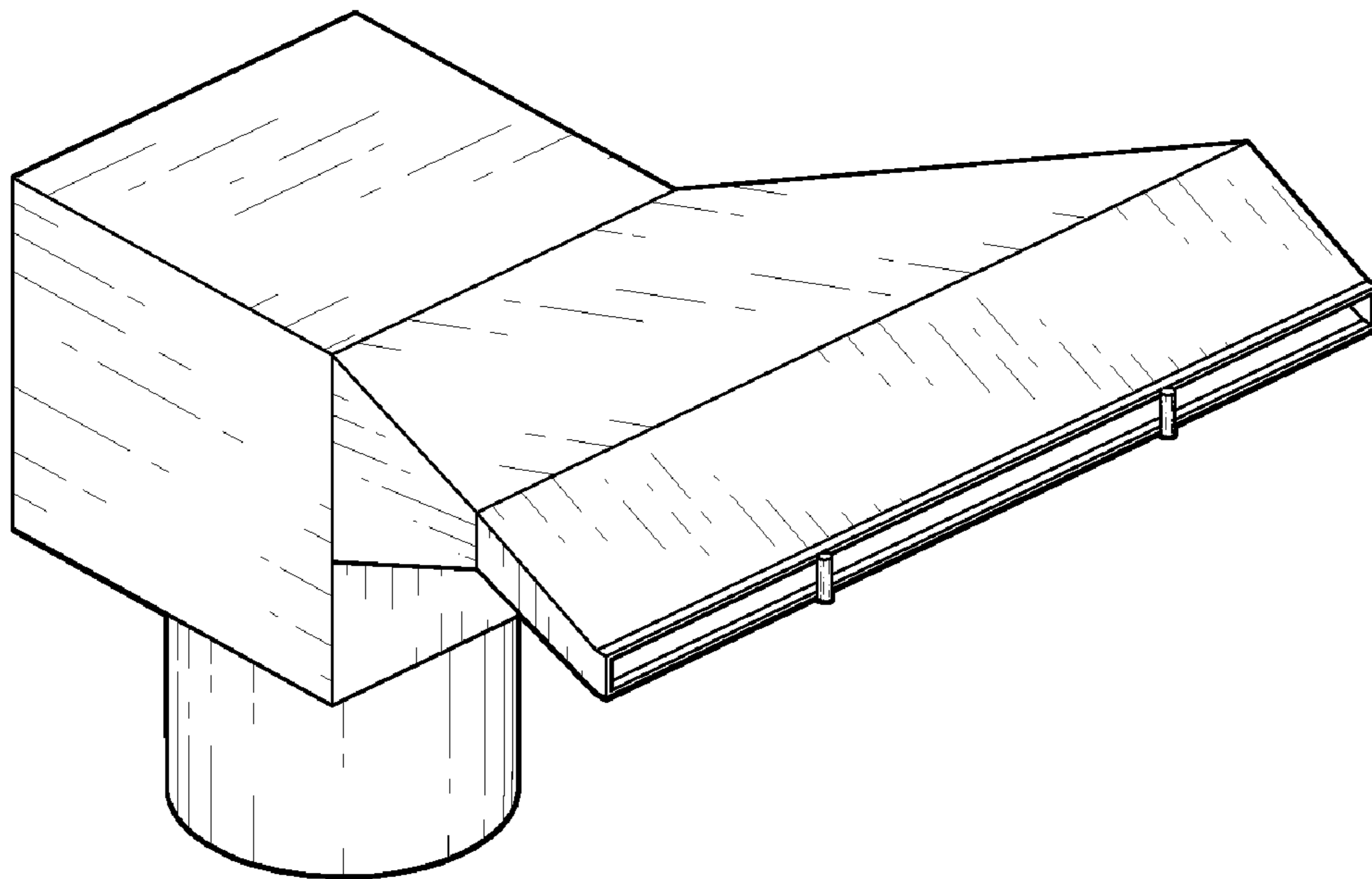


Fig. 1

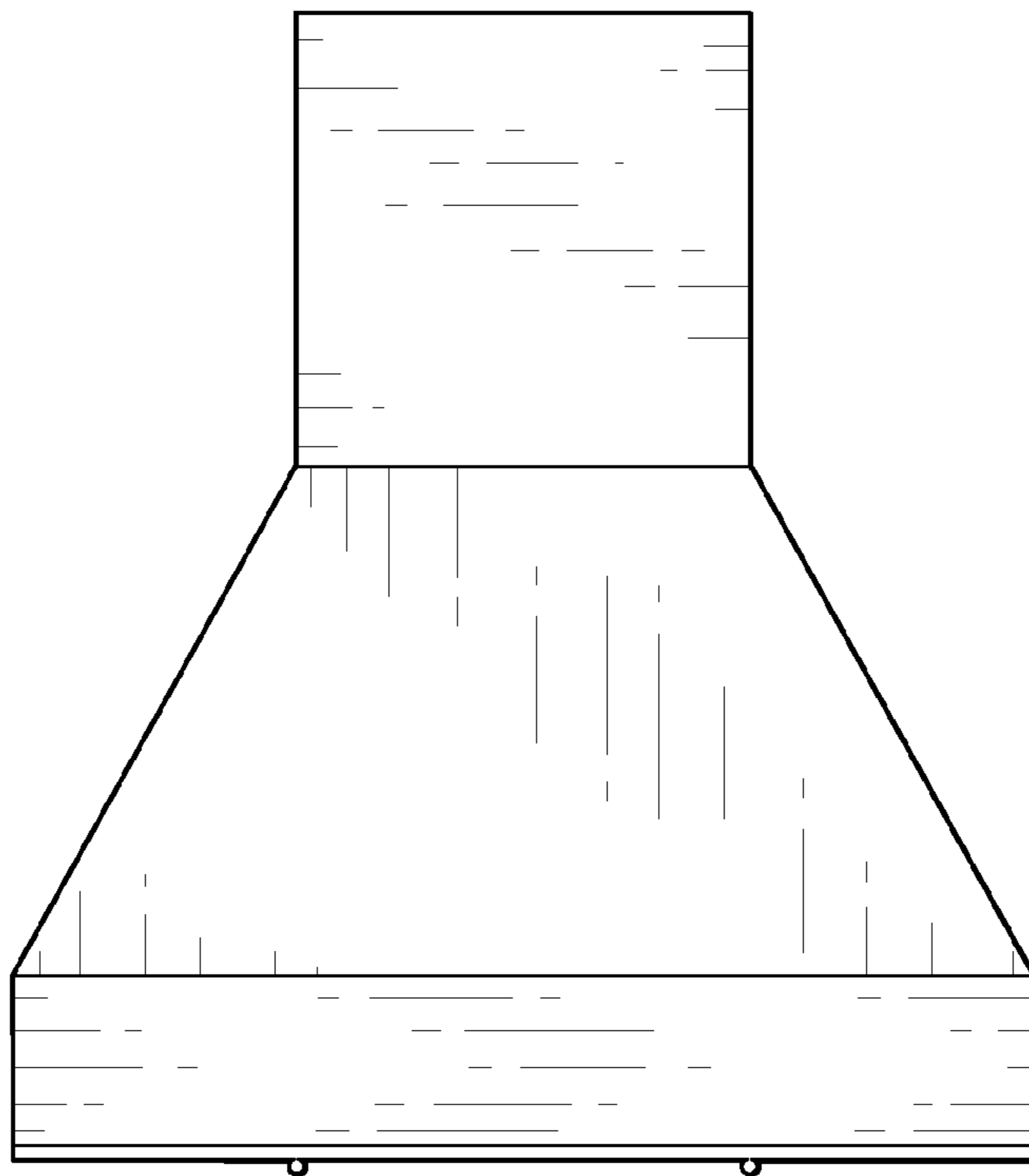


Fig. 2

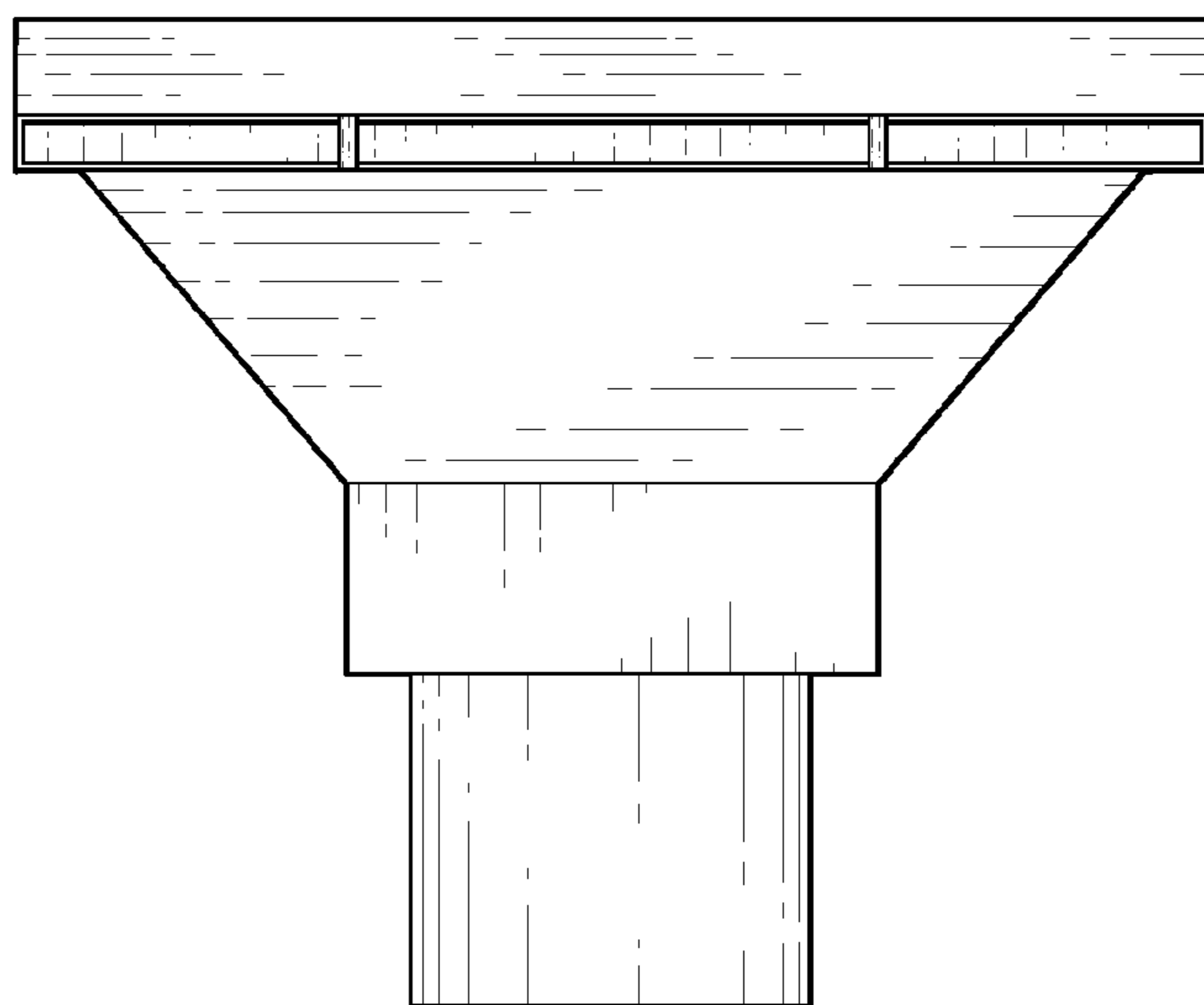


Fig. 3

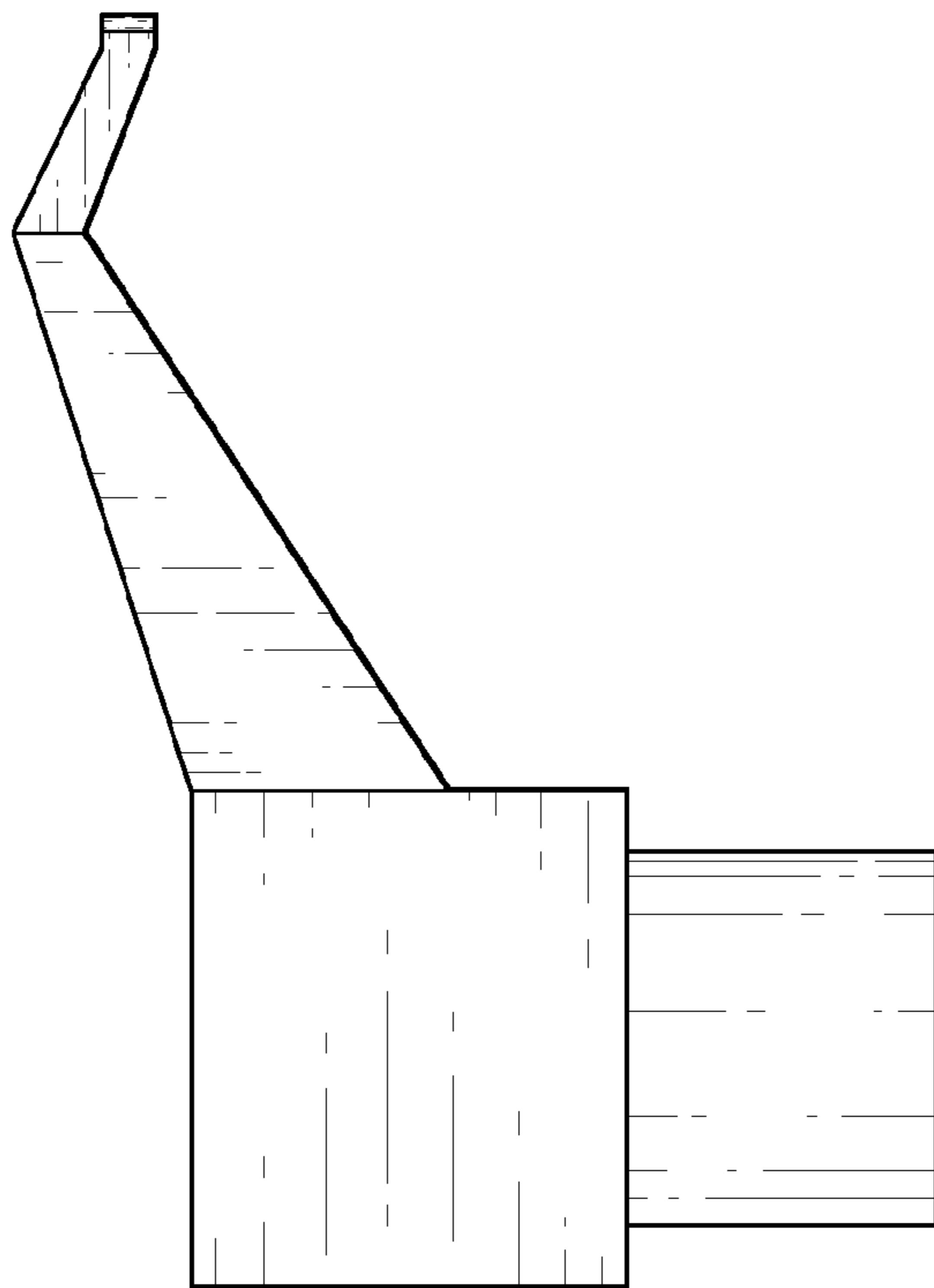


Fig. 5

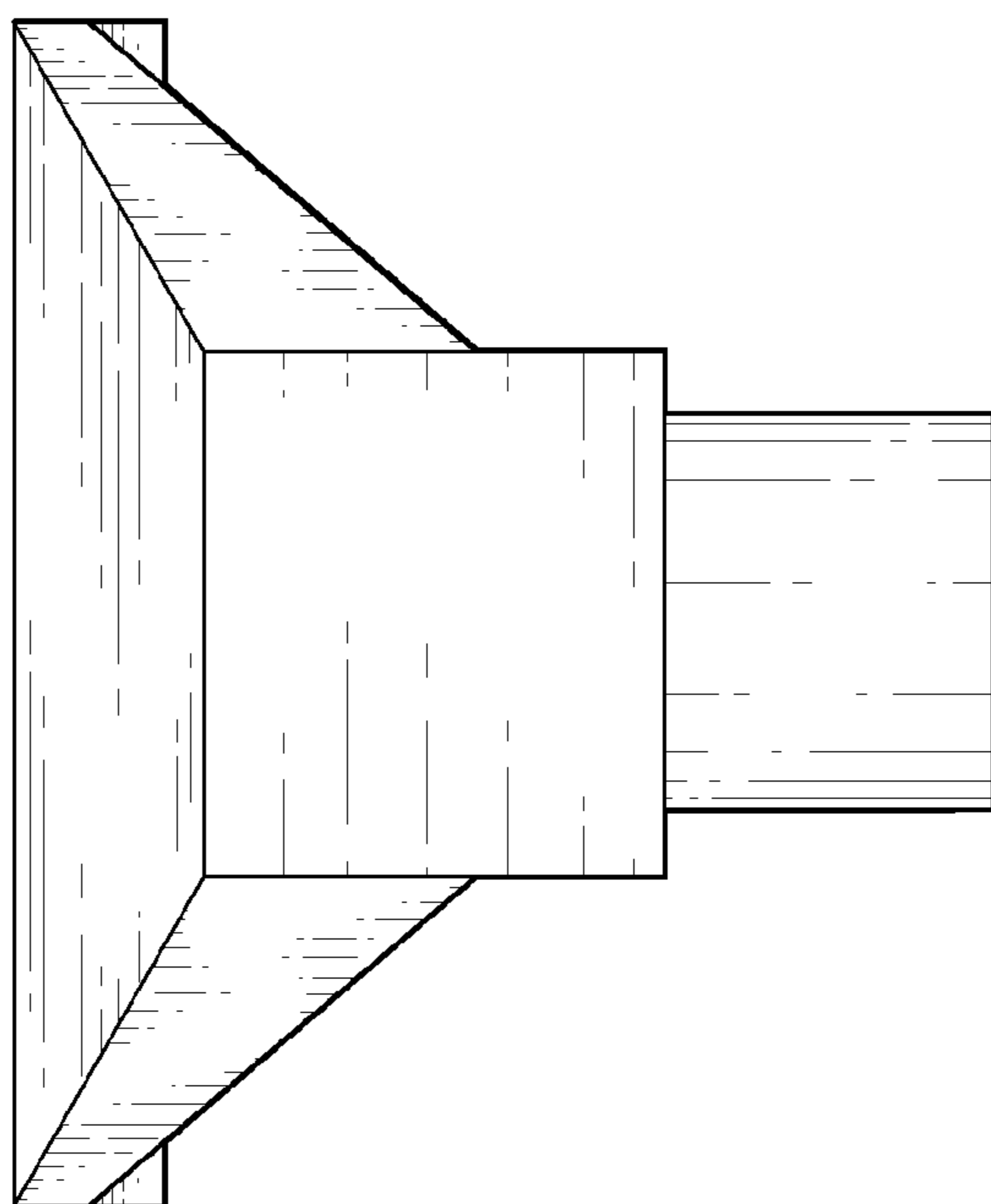


Fig. 4

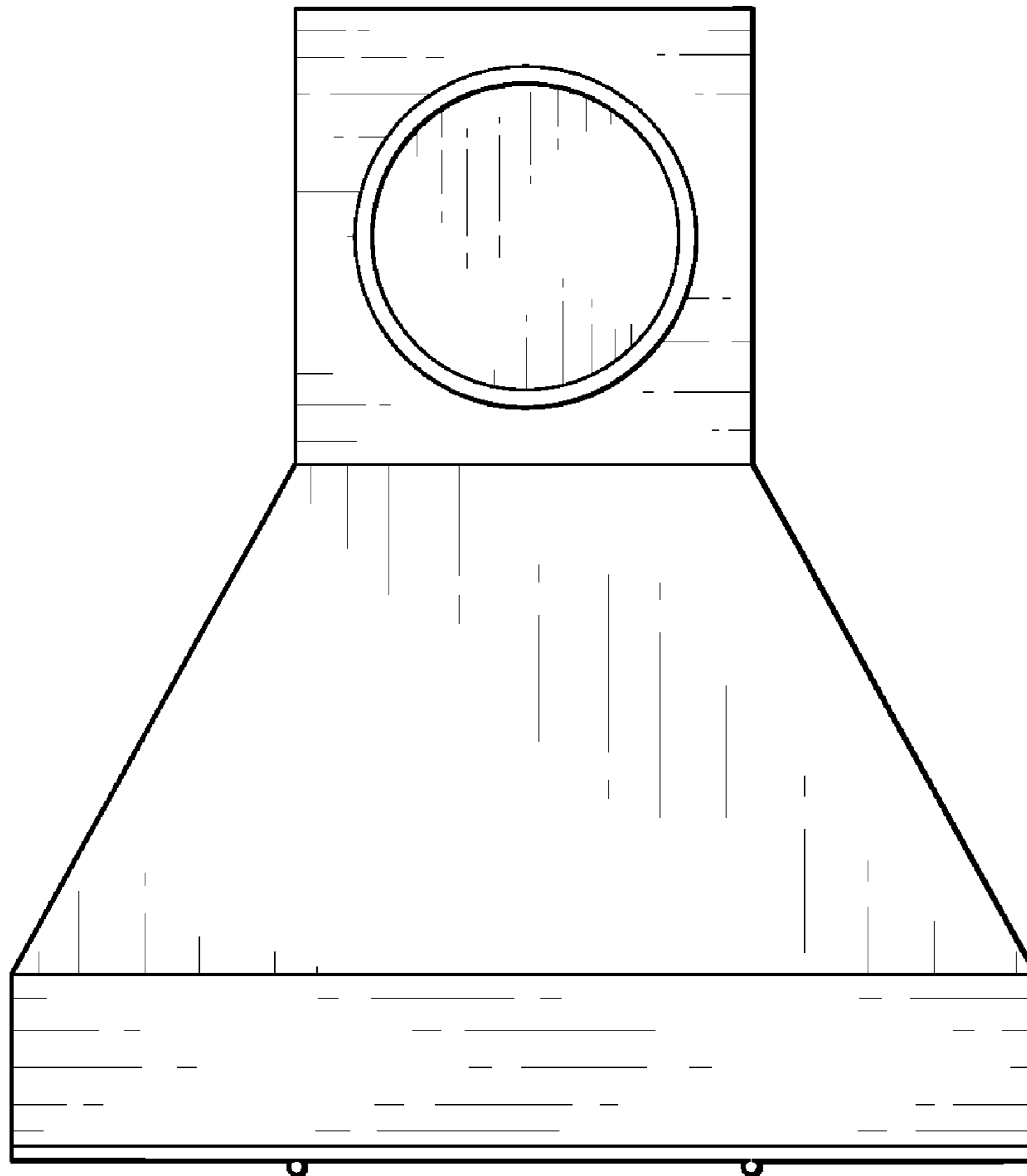


Fig. 6